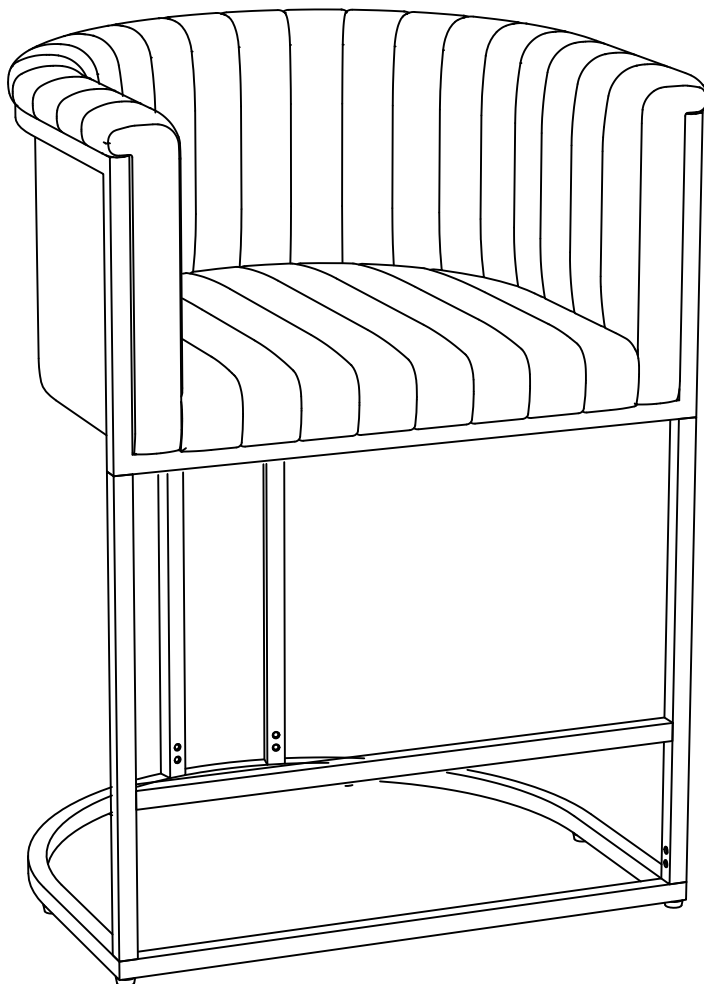
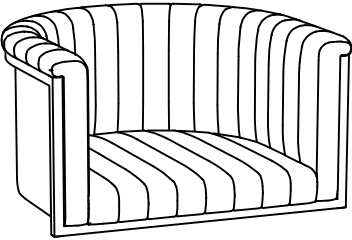
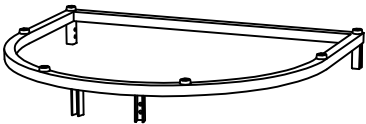
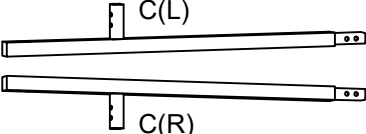
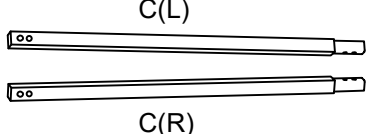
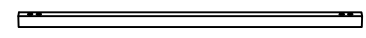


# ASSEMBLY INSTRUCTION

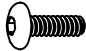
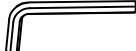
Counter chair



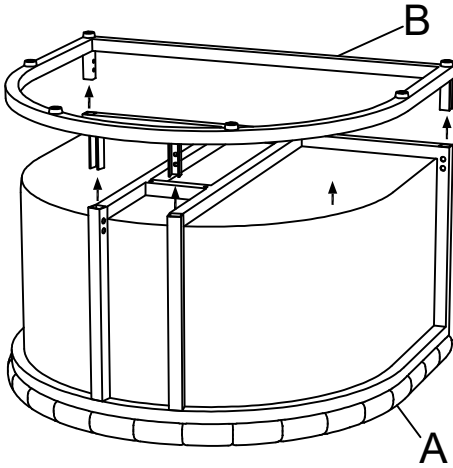
# Component List

LABEL		DESCRIPTION	QTY
A		Seat	1
B		Bottom frame	1
C		Front Leg	2
D		Back Leg	2
E		Footrest	1

# Hardware List

LABEL		DESCRIPTION	QTY
H1		Bolts M6×14mm	20
H2		Allen key M6	1

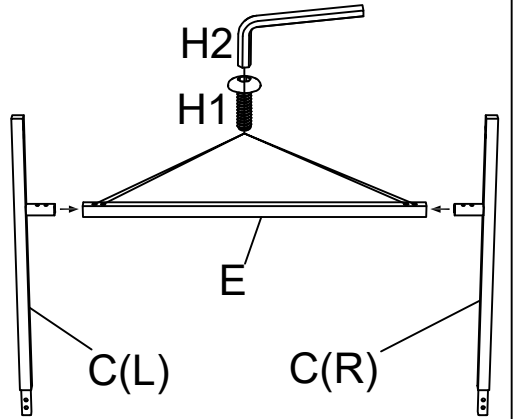
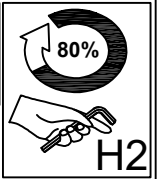
**1** Assembly instructions: Due to packaging and transportation requirements, we connected soft package A and iron frame B together before shipment. You will need to use some tools (such as soft hammers or non-metallic sticks to pry) to separate them.



**2**

H1×4pcs  
M6×14mm

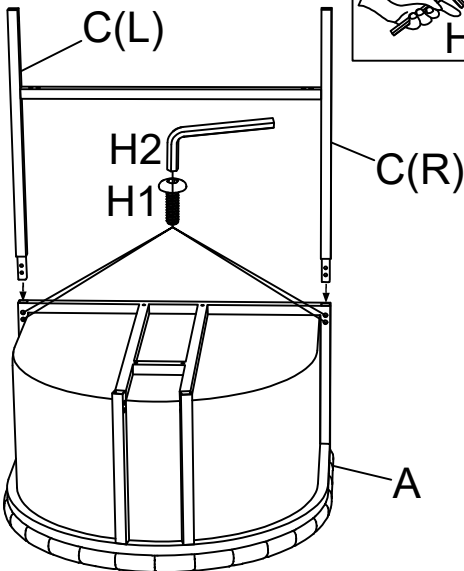
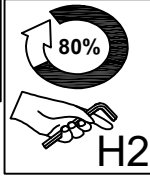
H2×1pc  
M6



**3**

H1×4pcs  
M6×14mm

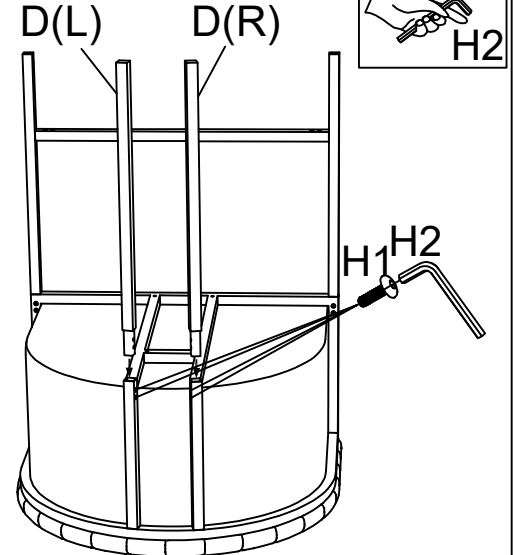
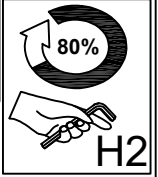
H2×1pc  
M6



**4**

H1×4pcs  
M6×14mm

H2×1pc  
M6

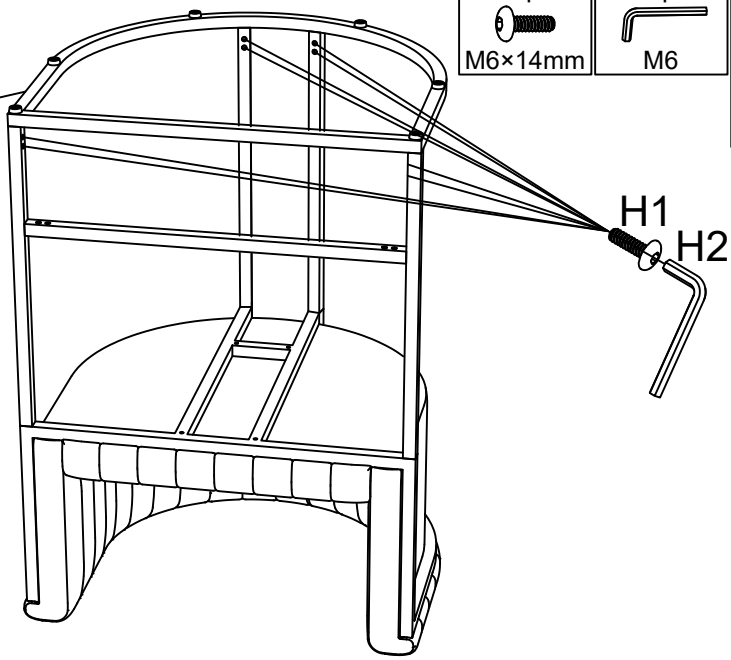
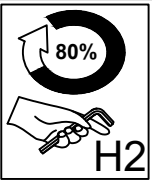


5

B

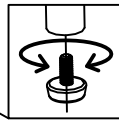
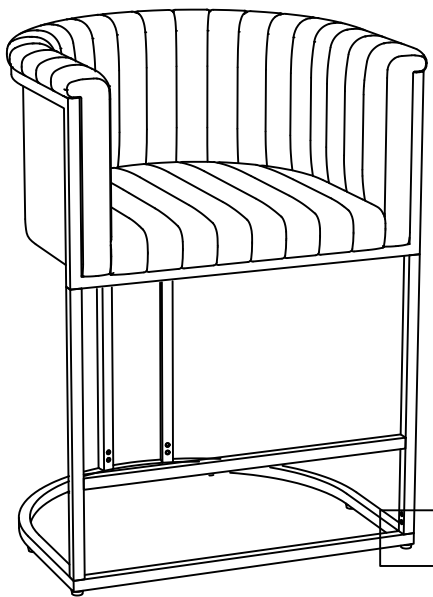
H1×8pcs  
M6×14mm

H2×1pc  
M6



6

H2×1pc  
M6



Adjust the glider if the chair is unbalance.

Adjust the chair so that it is leveled, then fully tighten all the bolts.