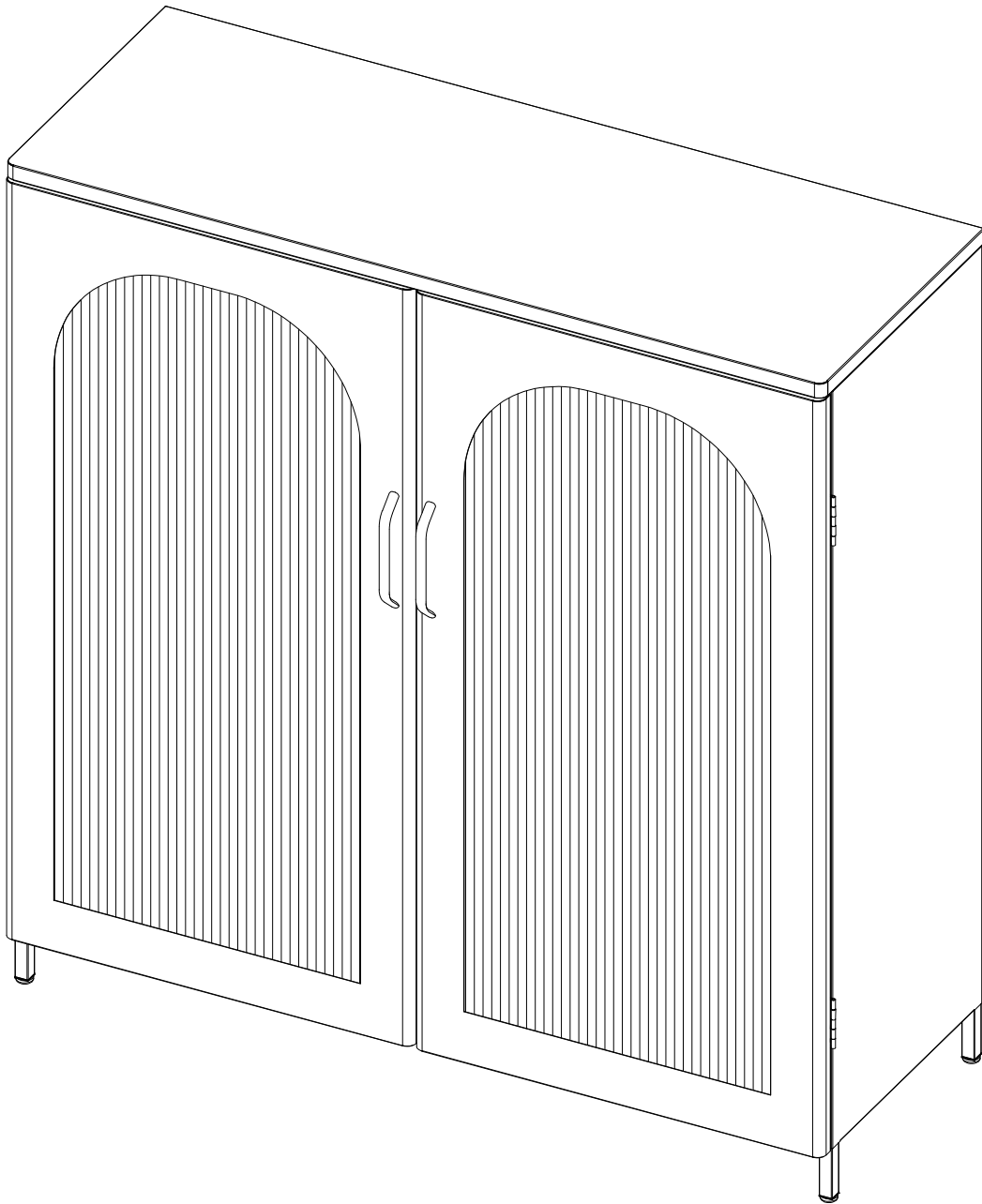
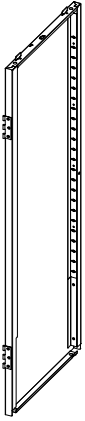
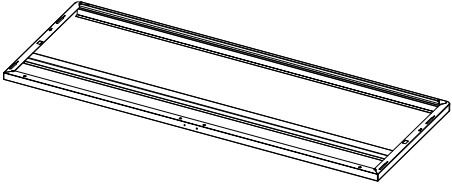
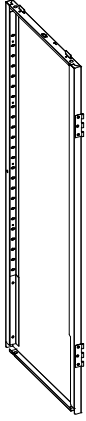
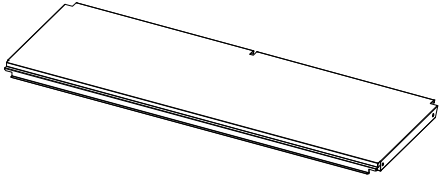
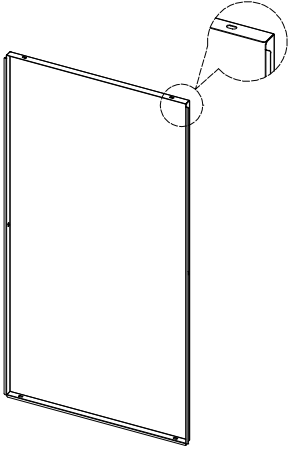
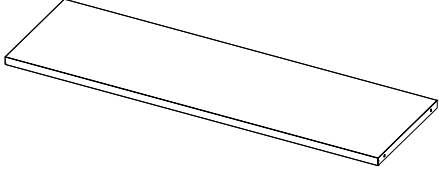
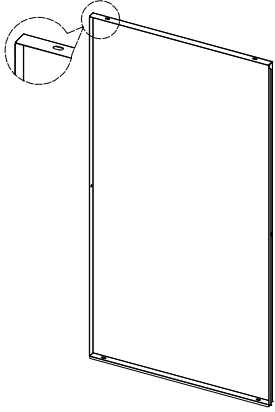
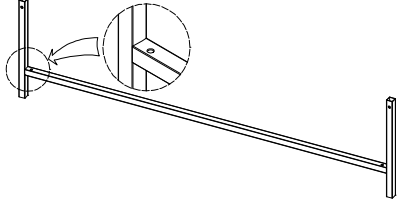
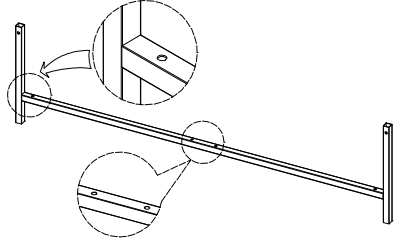
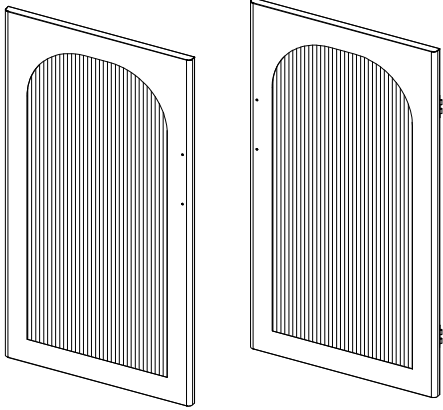









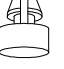
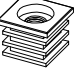
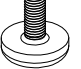



ASSEMBLY INSTRUCTIONS



Components List

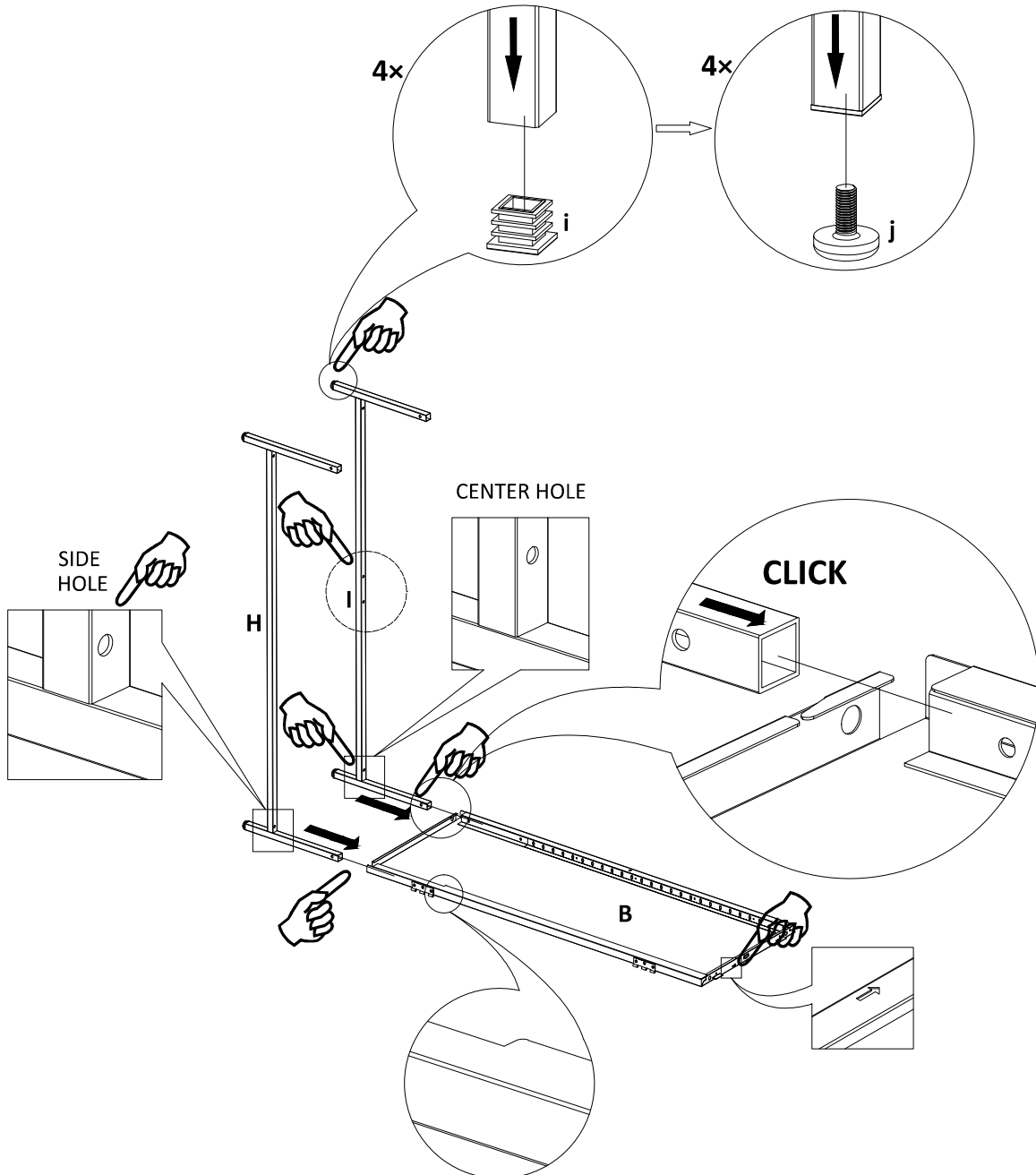
Item	Image	Q	Item	Image	Q
A		1	E		1
B		1	F		1
C		1	G		2
D		1	H		1
			I		1
			J		1

Hardware List

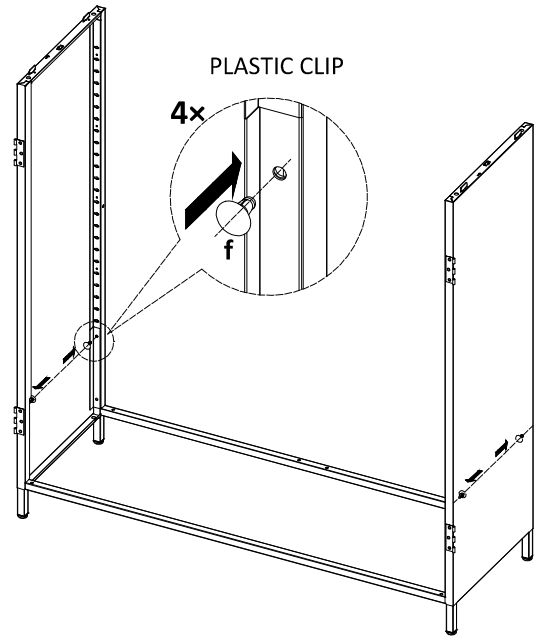
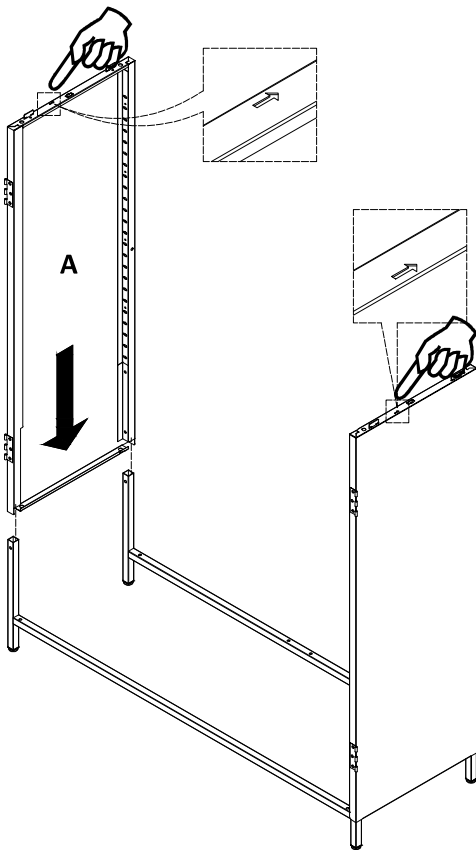
Item	Image	Q	Item	Image	Q	Item	Image	Q	Item	Image	Q	Item	Image	Q
a		12	b		4	c		2	d		2	e		2
f		15	g		8	h		8	i		4	j		4
k		2	l		1	m		1						

ASSEMBLY STEPS

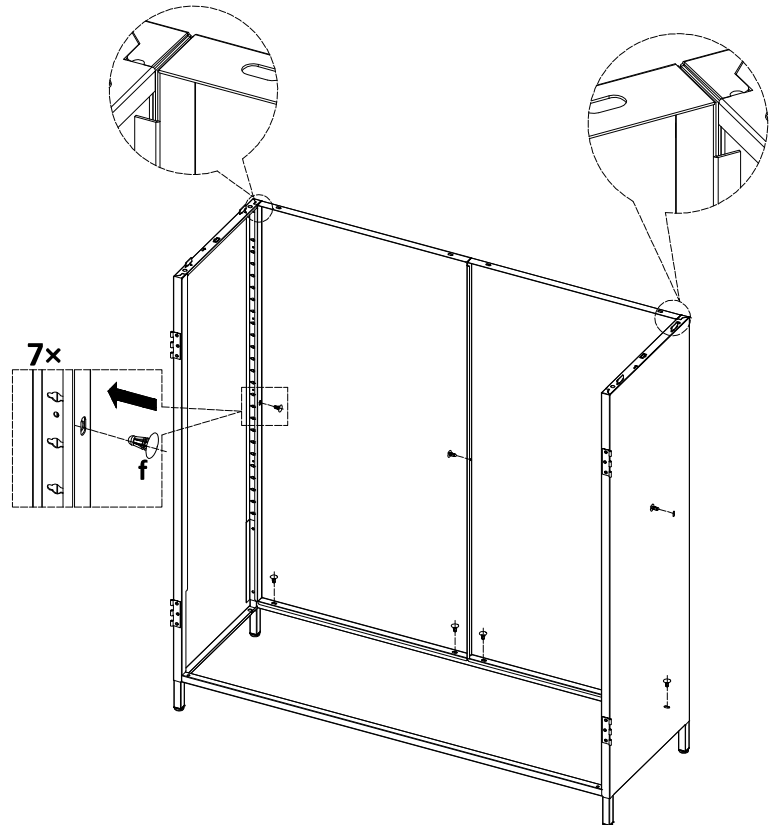
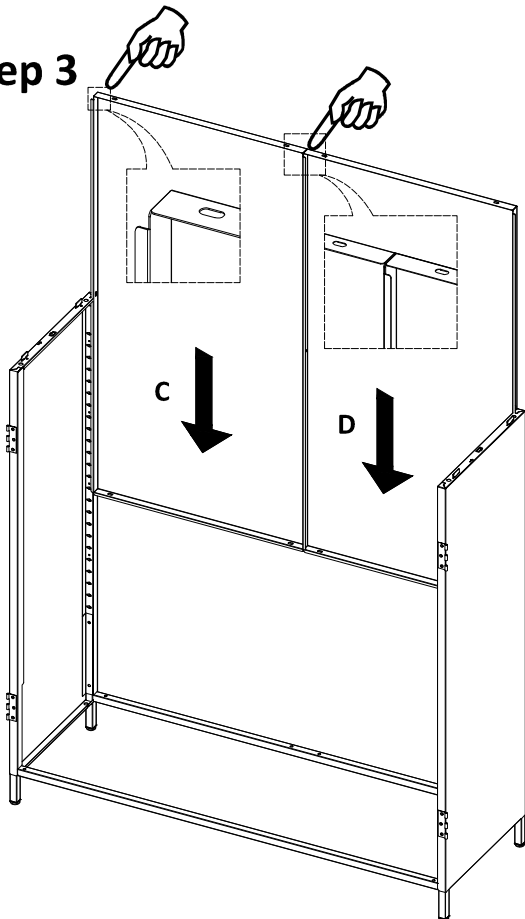
Step 1



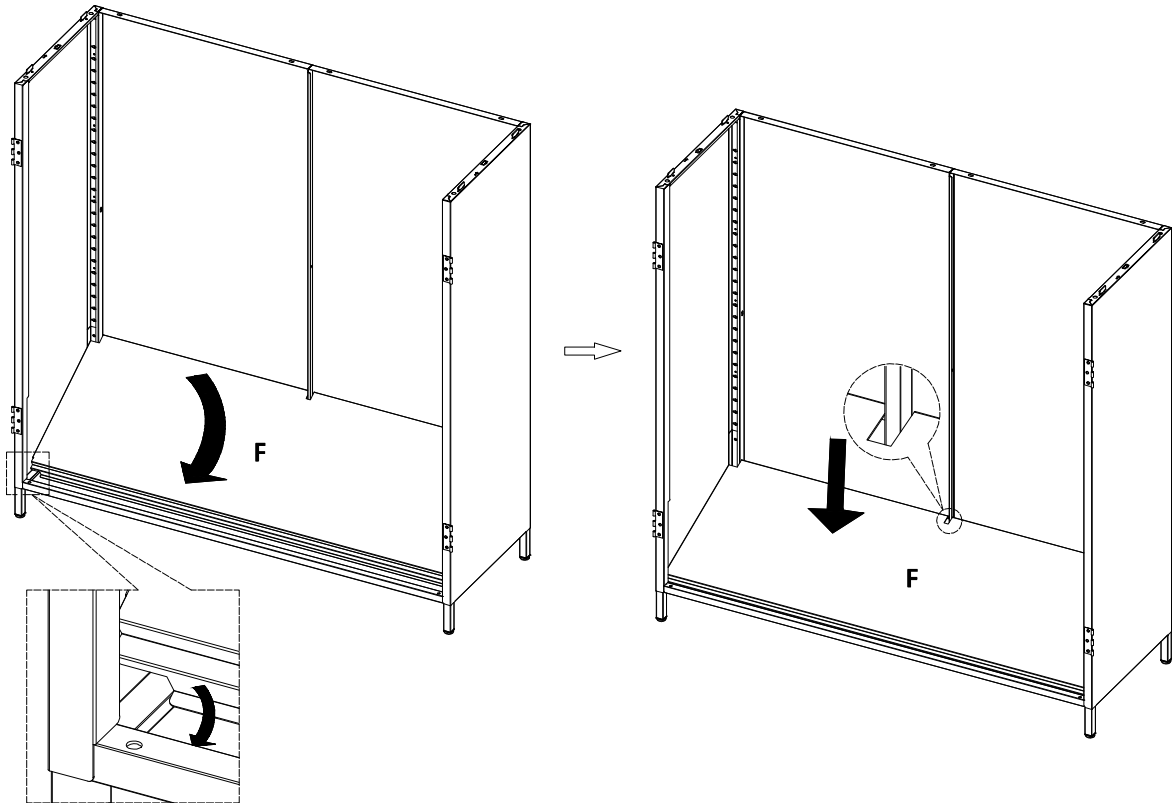
Step 2



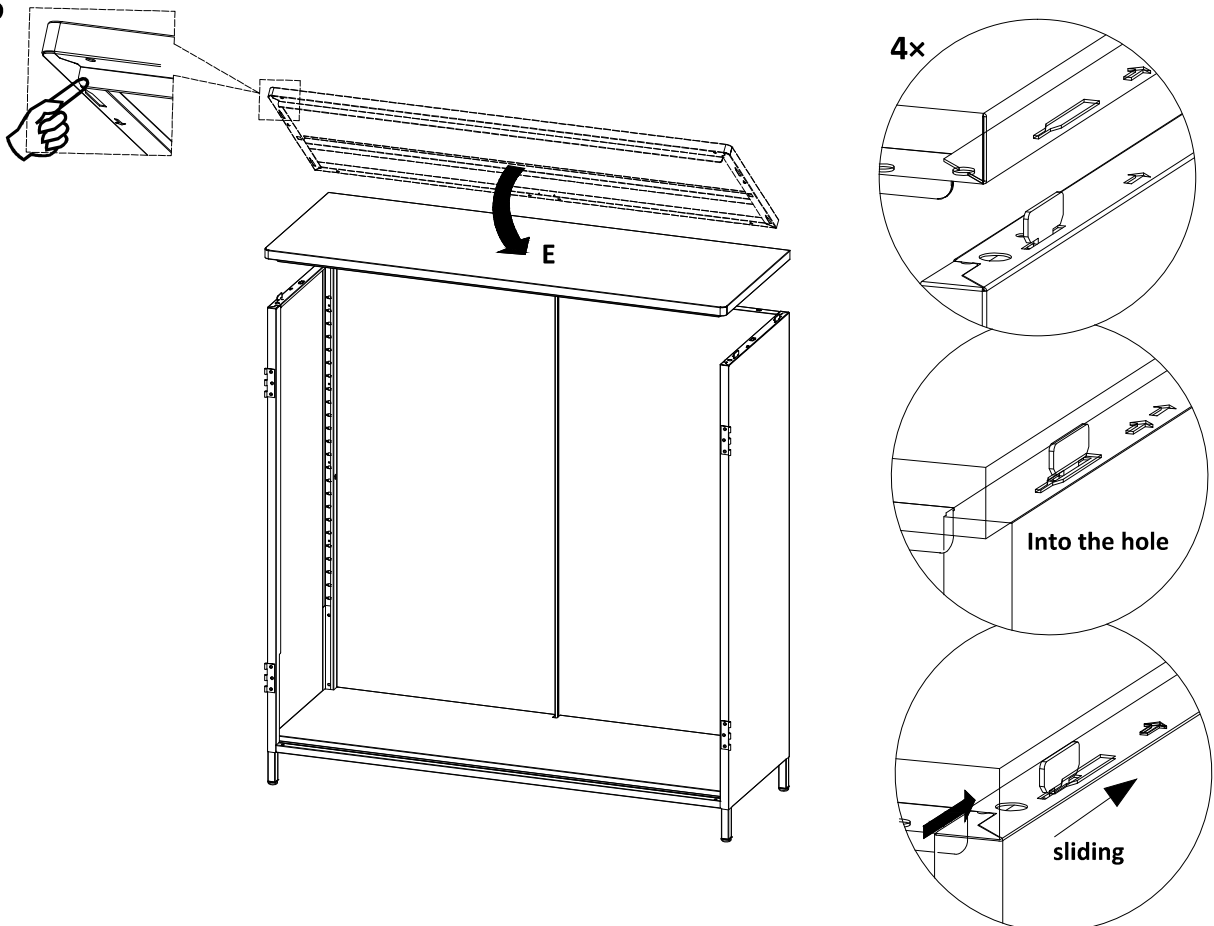
Step 3



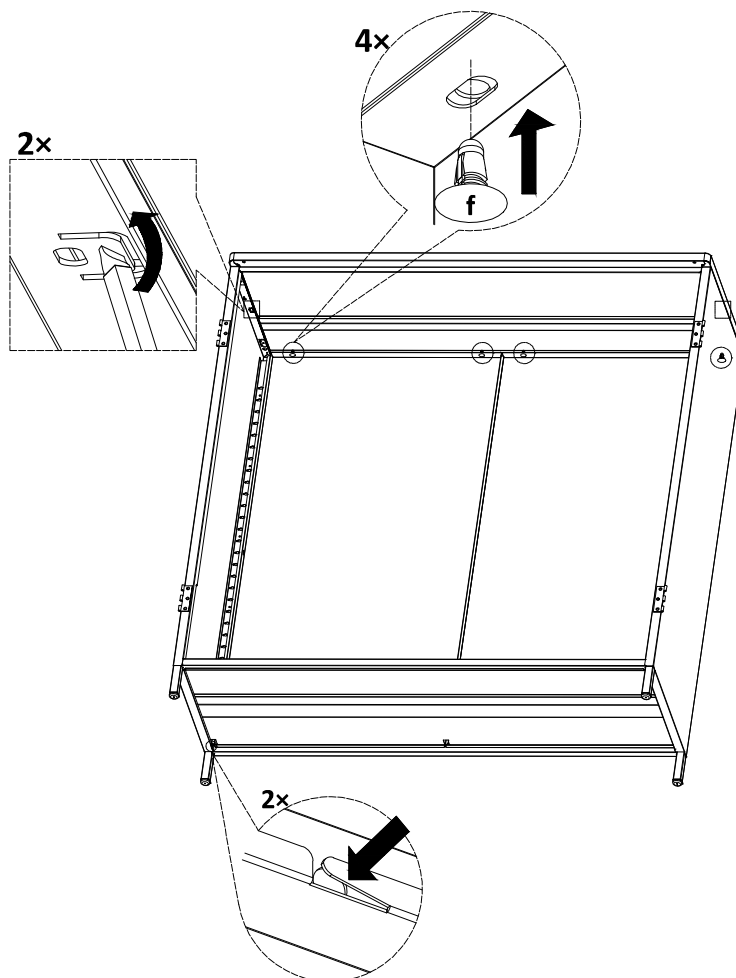
Step 4



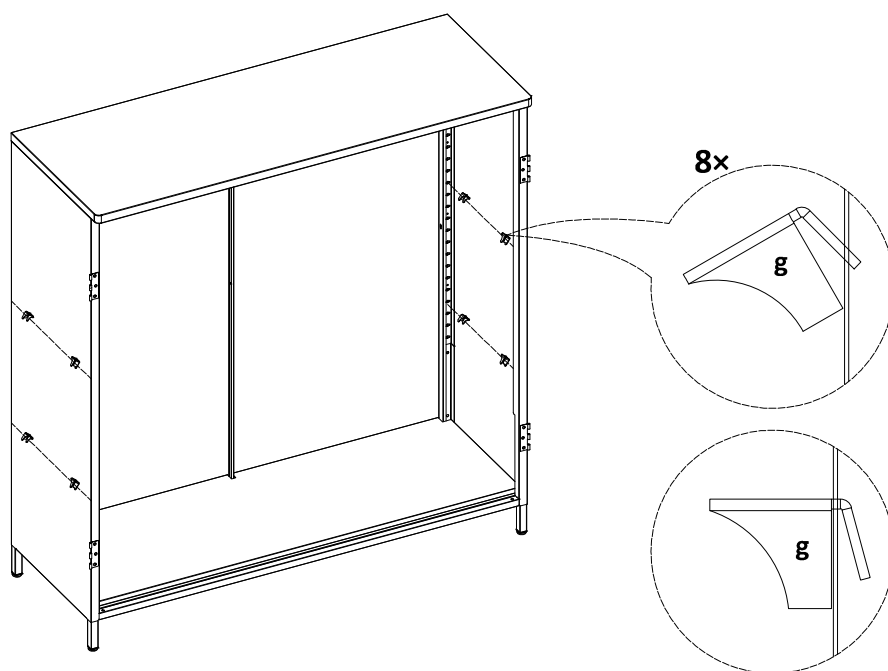
Step 5



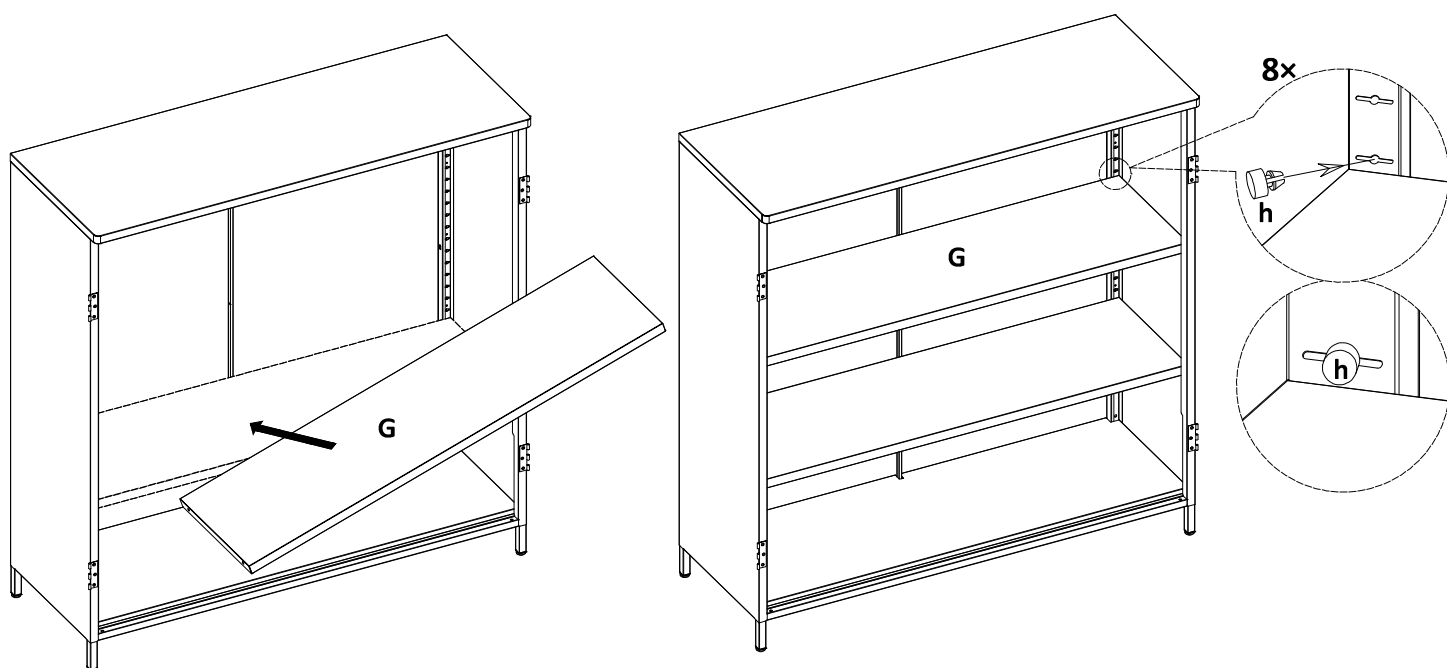
Step 6



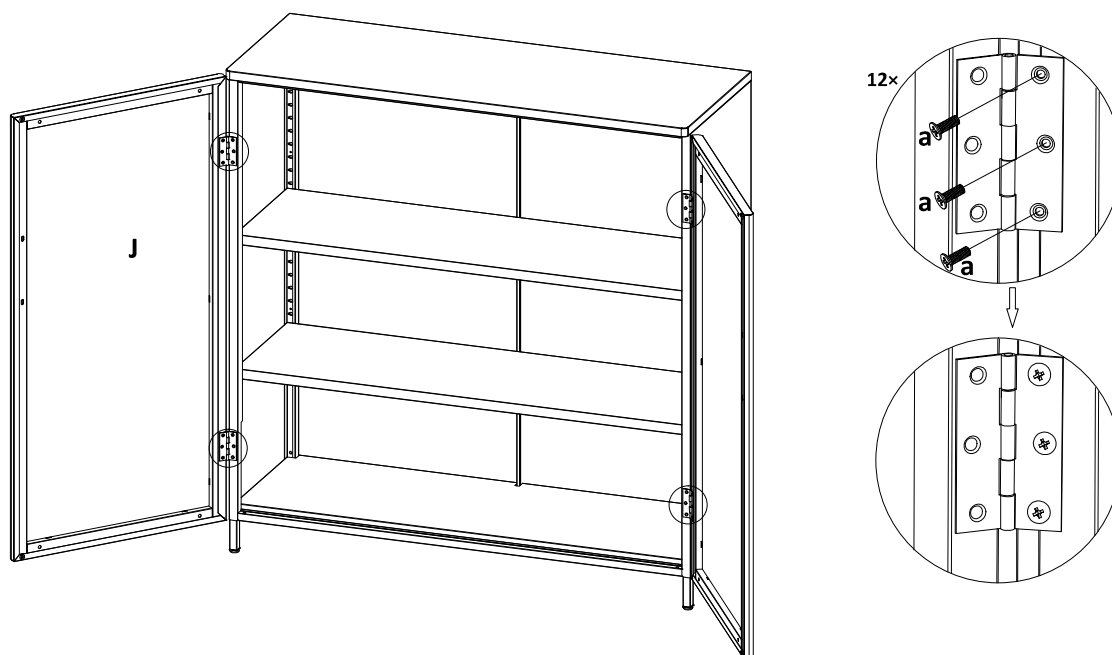
Step 7



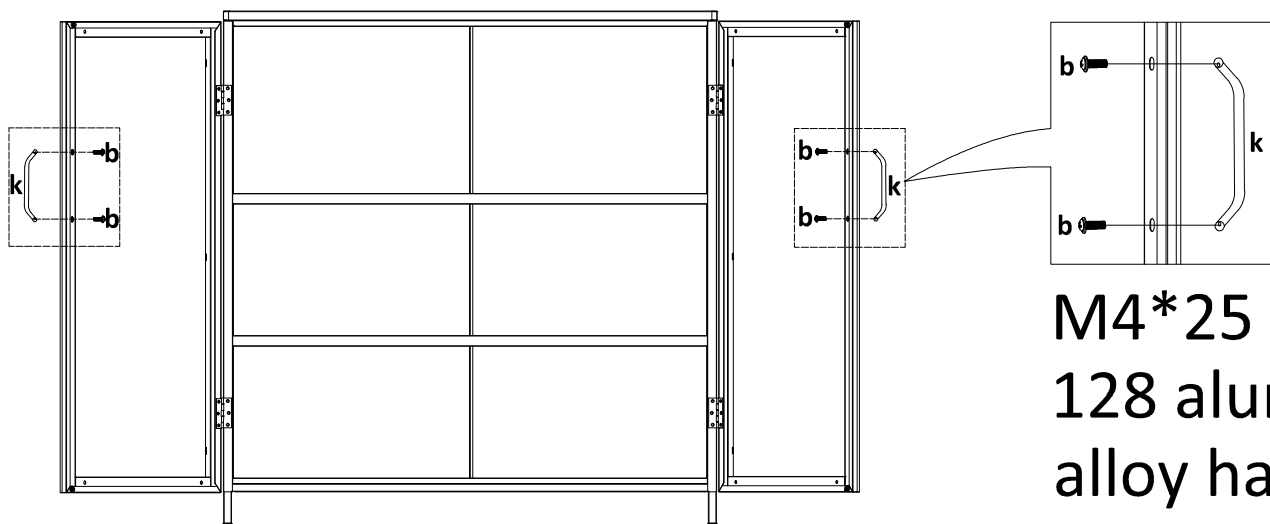
Step 8



Step 9

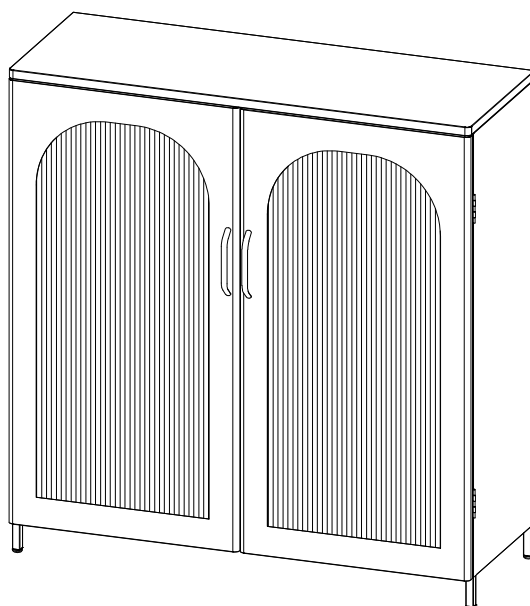


Step 10



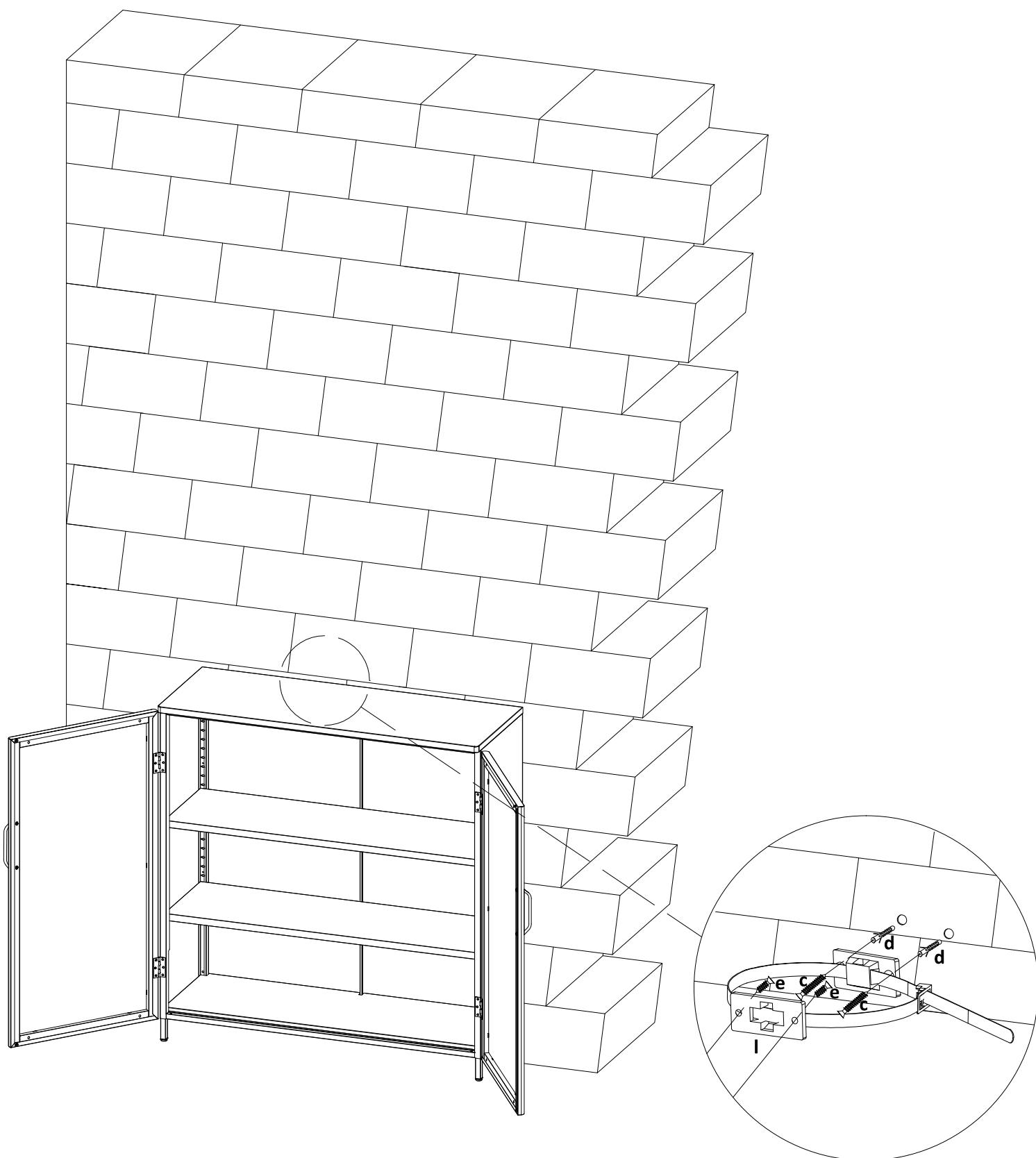
M4*25
128 aluminum
alloy handle

Step 11



Finish

Step 12



M4×10 2PCS
M4.2×32 2PCS