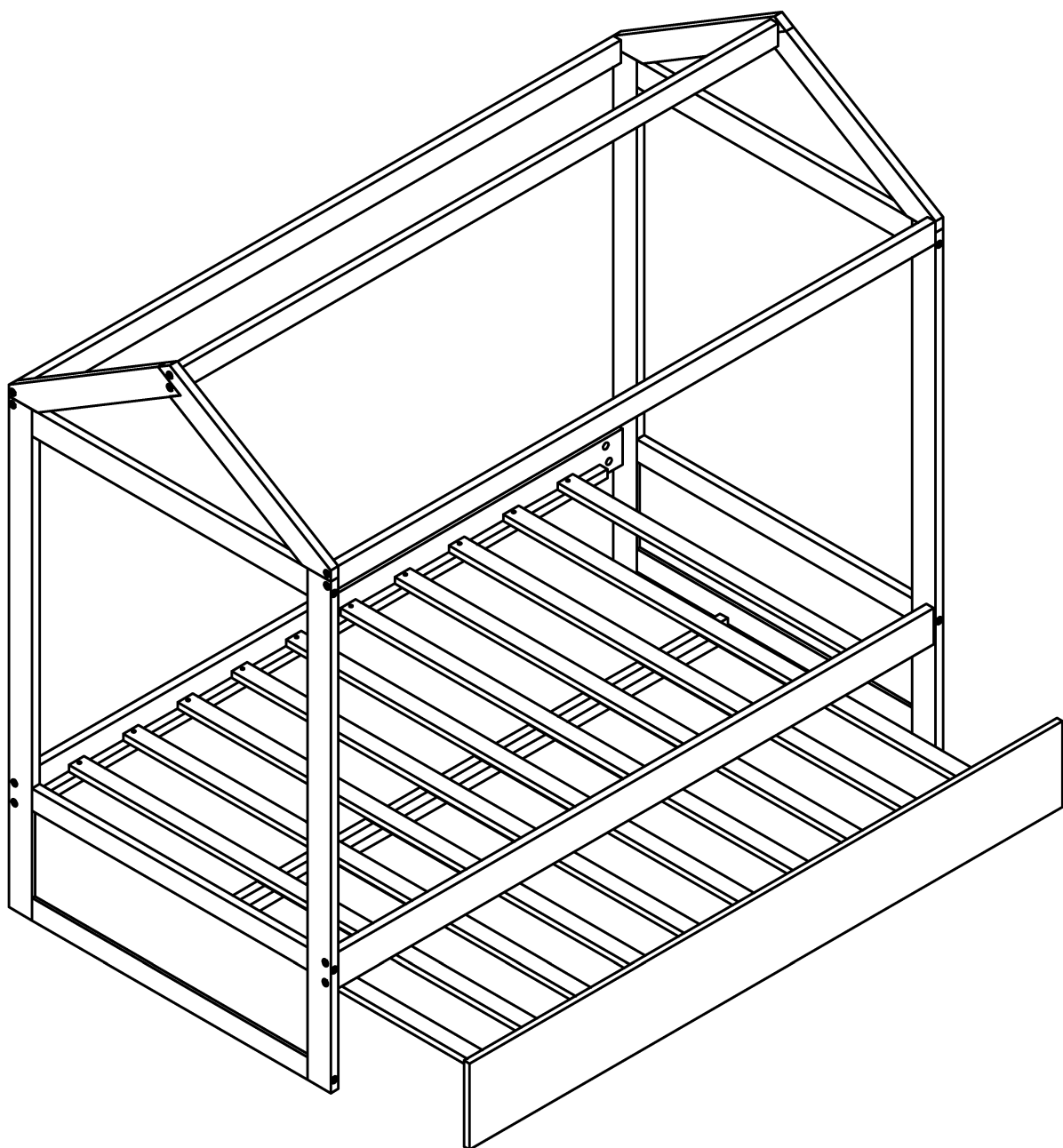
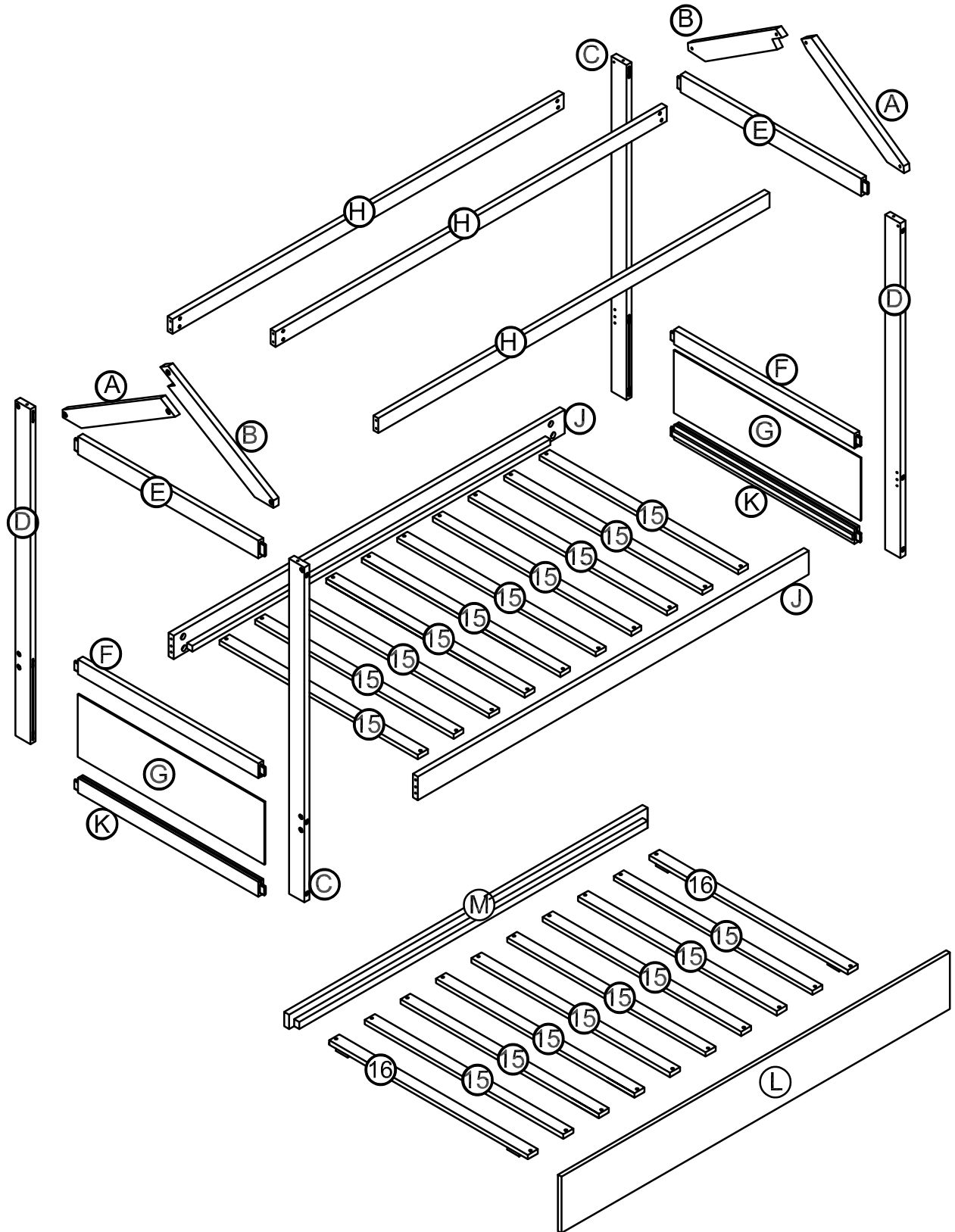


# ASSEMBLY INSTRUCTIONS


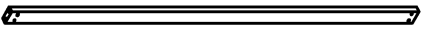
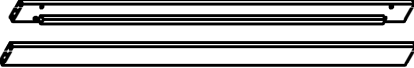
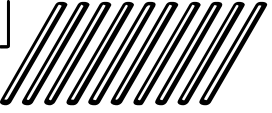


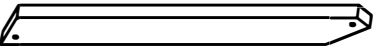
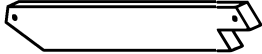
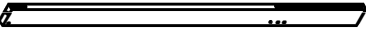
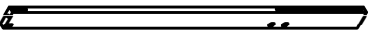
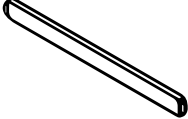
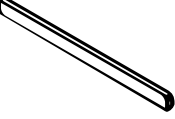


## BEDHOUSE WITH TRUNDLE








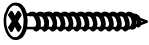


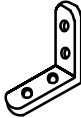
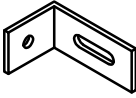
# DETAIL VIEW



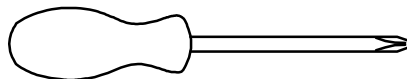
# PART LISTS

<b>G</b> 	<b>H</b> 	<b>J</b> 
Side panel - 2pcs	Guard rail top 3pcs	Side rail upper -2pcs
<b>15</b> 	<b>L</b> 	<b>M</b> 
Upper slat - 18pcs	Drawer front - 1pc	Drawer back - 1pc
<b>A</b> 	<b>B</b> 	<b>C</b> 
Cap for lower HB&FB-2pcs	Cap for upper HB&FB-2pcs	Upper leg HB&FB -2pcs
<b>D</b> 	<b>E</b> 	<b>F</b> 
Upper leg HB&FB -2pcs	Horizontal bar HB&FB-2pcs	Horizontal bar HB&FB-2pcs
<b>K</b> 	<b>16</b> 	
Horizontal bar HB&FB-2pcs	Upper slat - 2pcs	

# HARDWARE LISTS

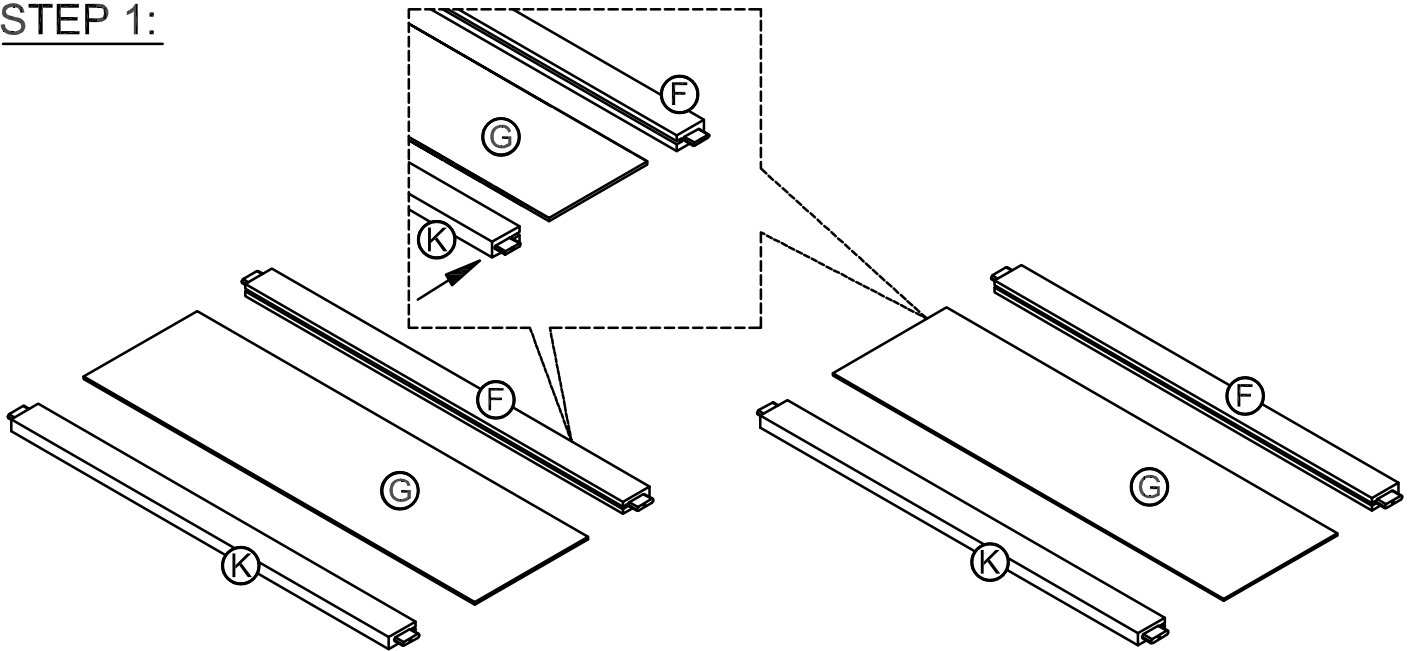
<b>1</b>  Ø10 x 40 mm Wood dowel (8pcs)	<b>2</b>  Ø1/4" x 80 mm Hex-Head bolts (20pcs)	<b>3</b>  Ø6" x 80 mm Wood Screws (12pcs)
<b>5</b>  Ø9.5x13mm Horizontal-Hole bolts (20pcs)	<b>6</b>  # 4 x 30mm Wood Screws (44pcs)	<b>7</b>  # 4 x 15mm Wood Screws (24pcs)
<b>8</b>  Wheels Ø32 ( 4pcs )	<b>9</b>  (1/4")4.5*58mm Allen Key (1pc)	<b>10</b>  Pass L: Ø1/4" - (3pcs)
<b>11</b>  Angle Metal (2pcs)		

## ASSEMBLY TOOLS REQUIRED ( NOT INCLUDED )

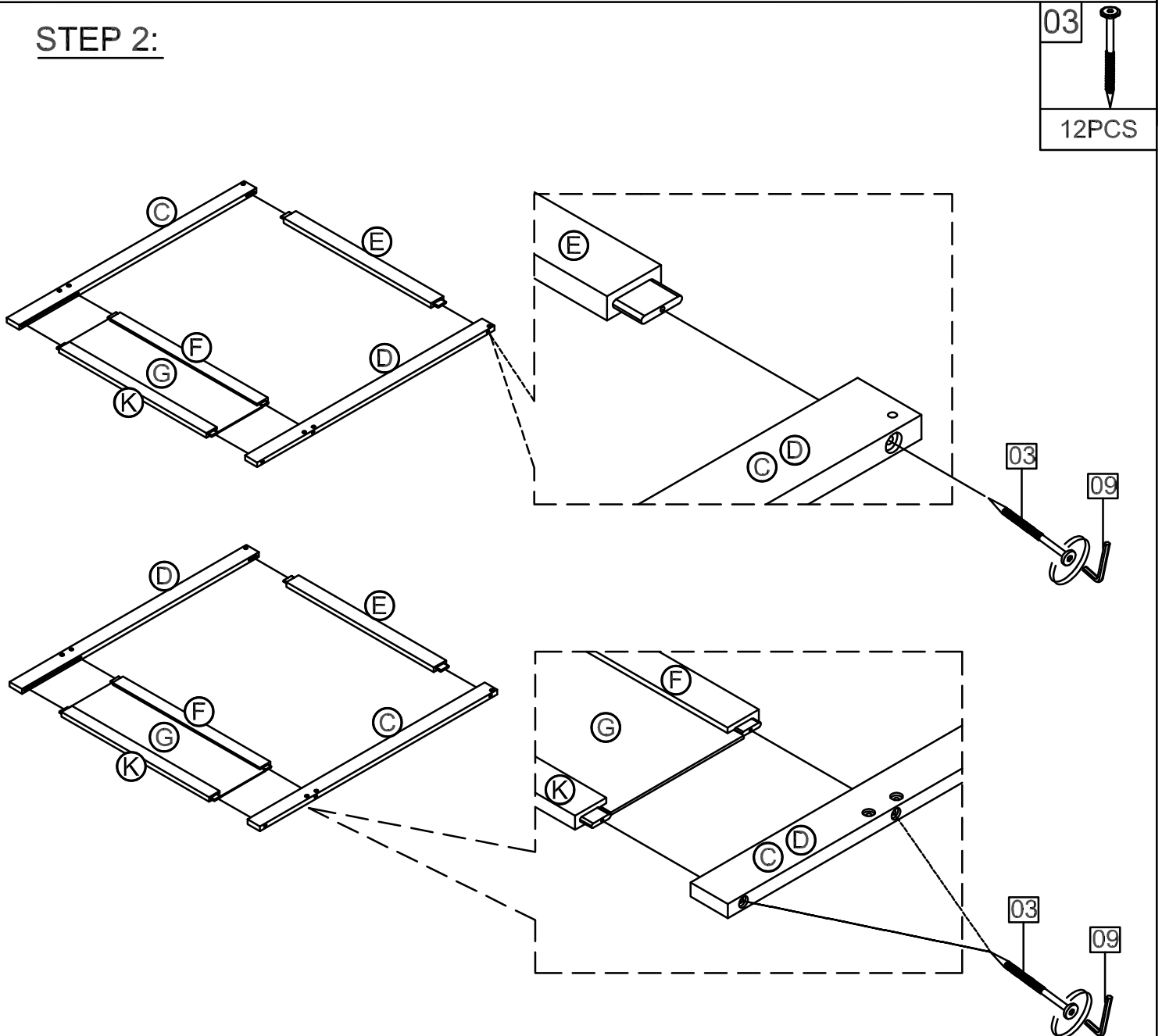


PLEASE BE CAREFUL DO NOT DAMAGE THE HOLE POSITION WHEN YOU USE POWER TOOLS !




STEP 1:

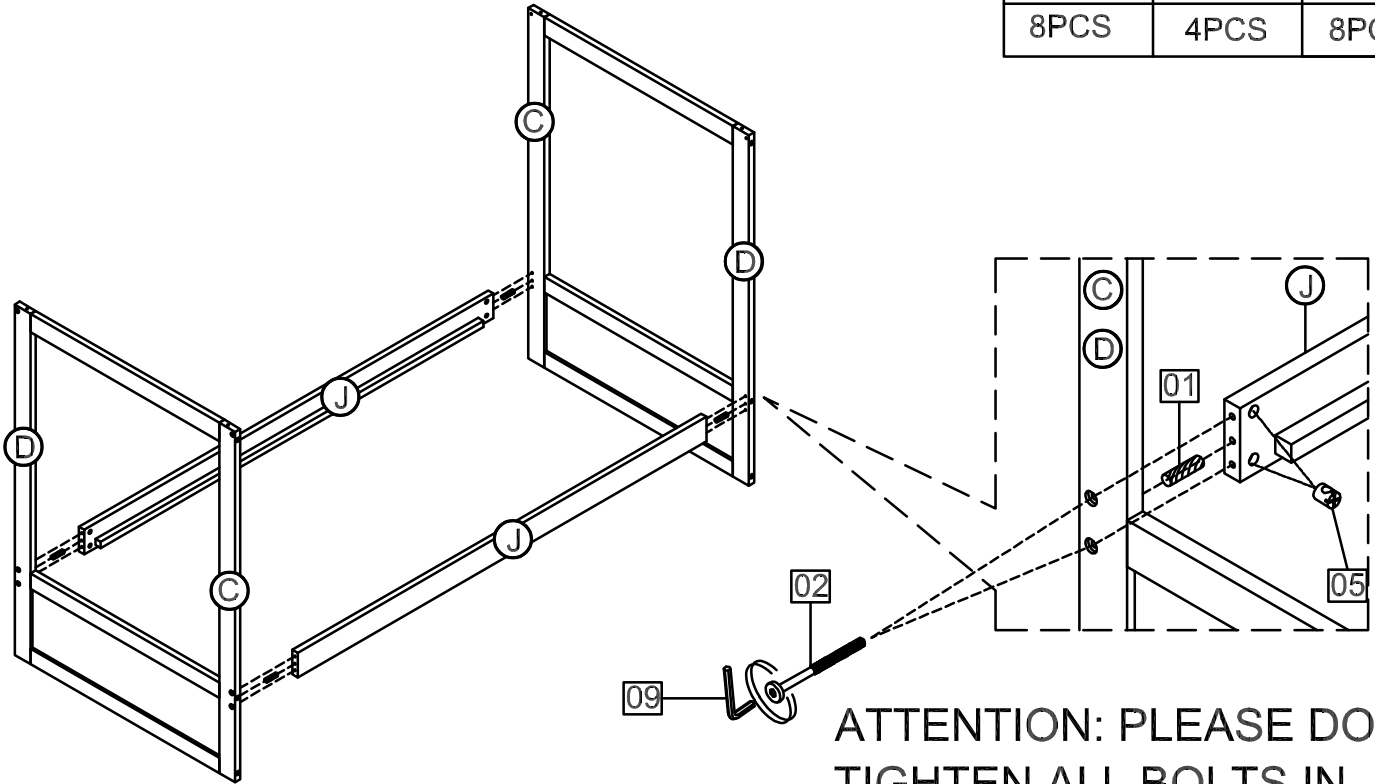


STEP 2:





STEP 3:

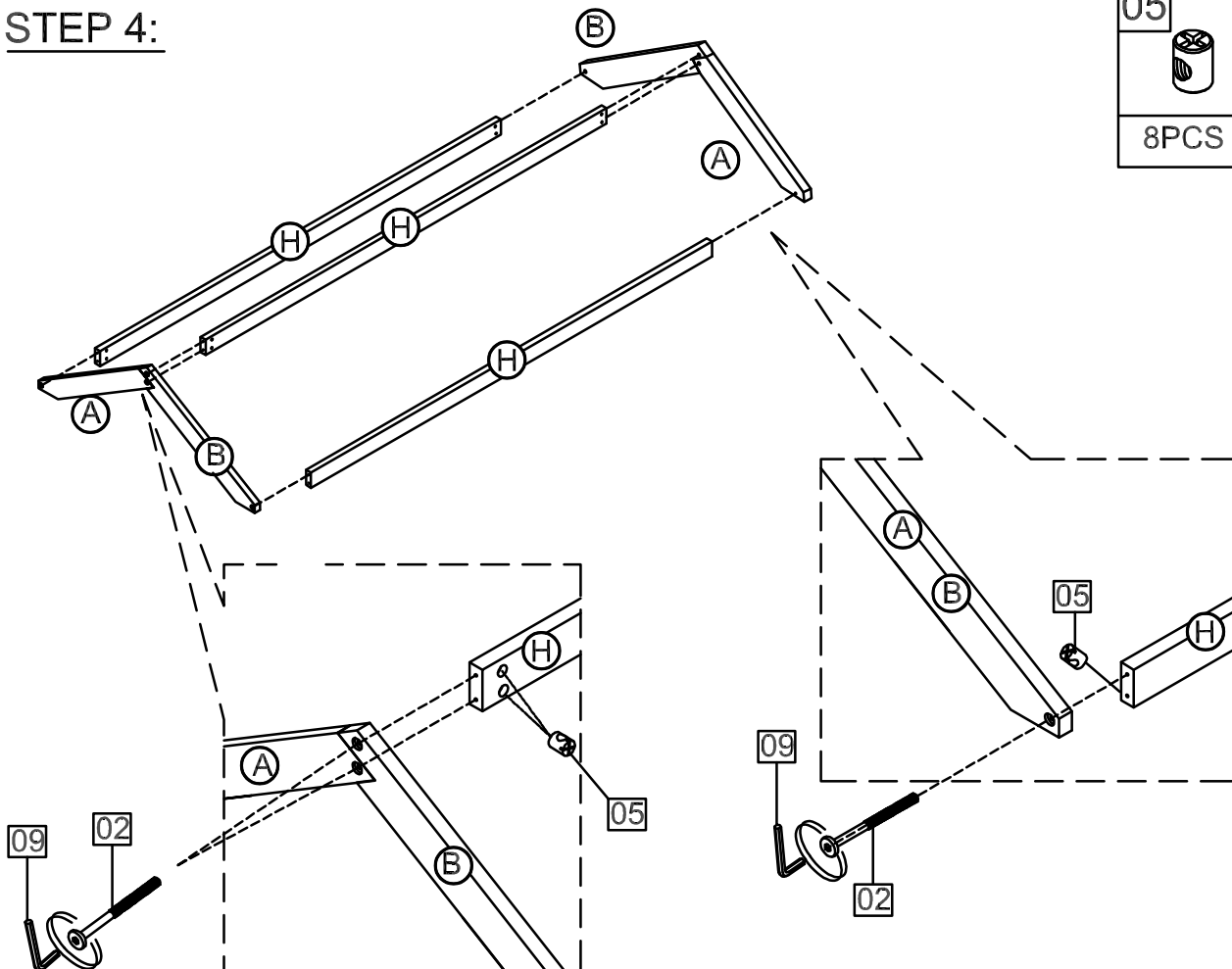
05	01	02
		
8PCS	4PCS	8PCS






ATTENTION: PLEASE DON'T  
TIGHTEN ALL BOLTS IN  
THIS STEP, JUST TIGHTEN  
80%

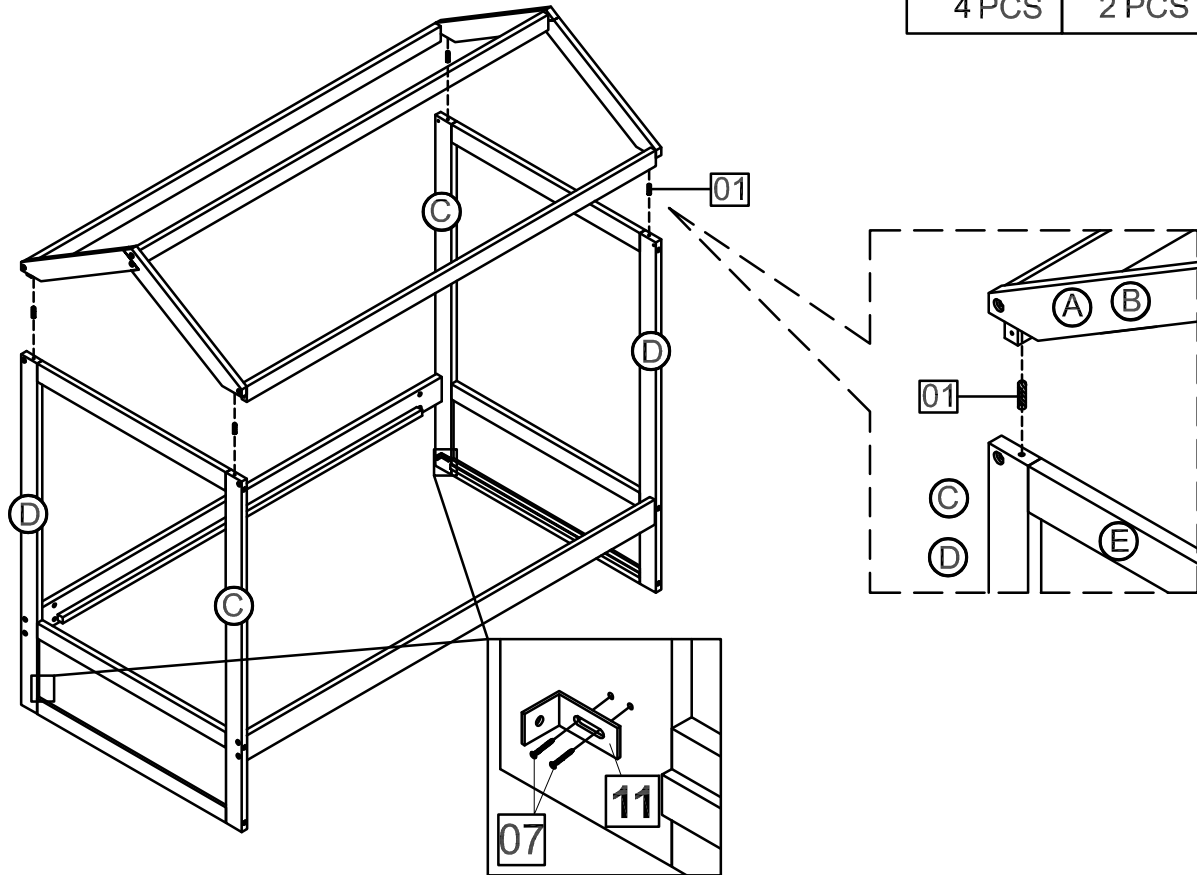
STEP 4:

05	02
	
8PCS	8PCS





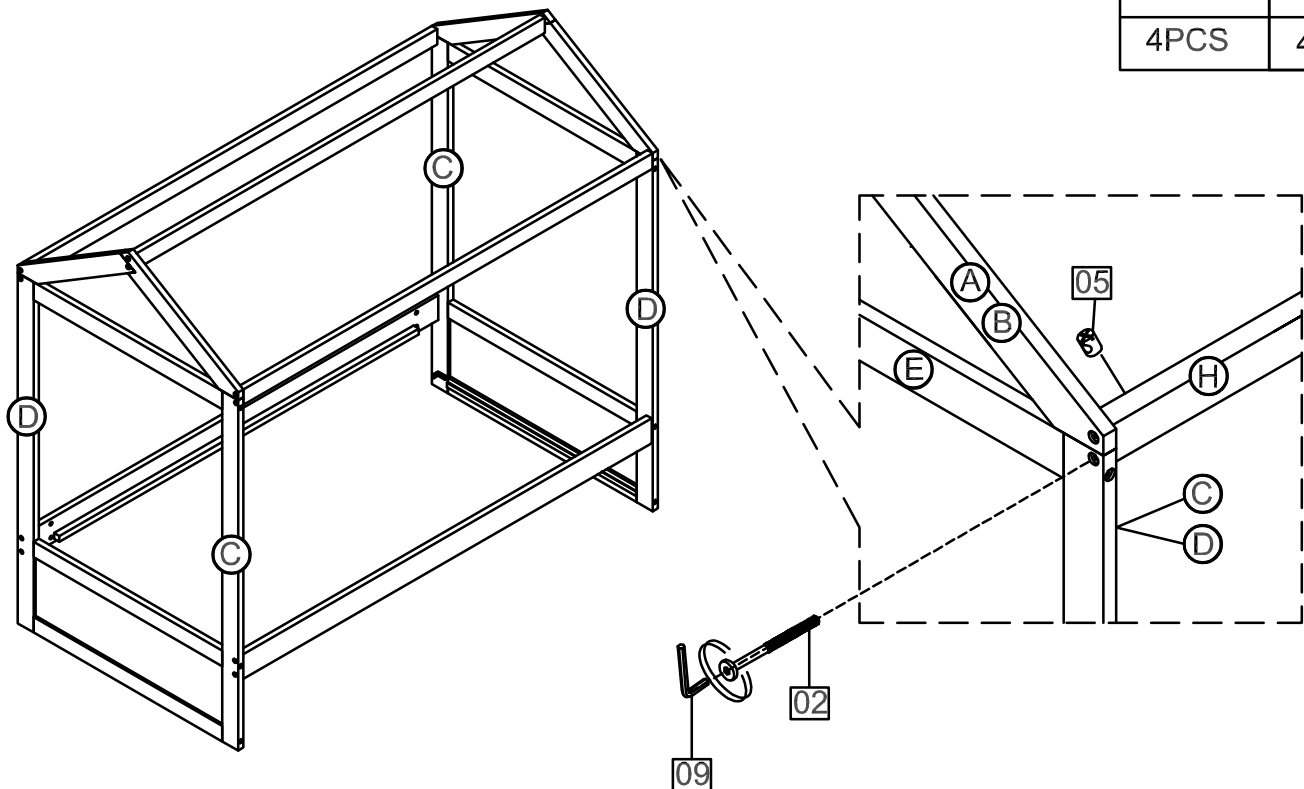
**STEP 5:**

07 	11 	01 
4 PCS	2 PCS	4PCS




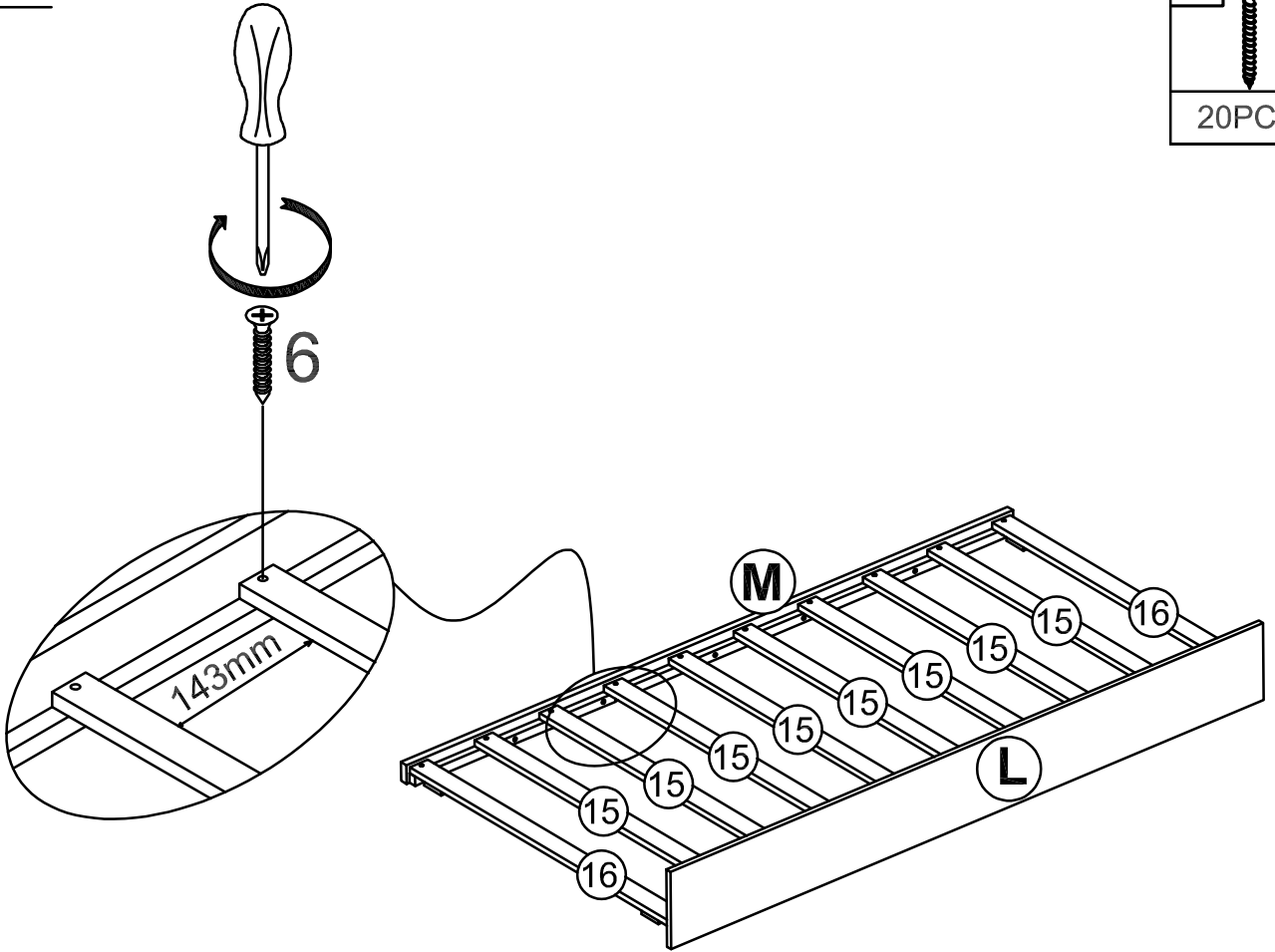
**STEP 6:**

05 	02 
4PCS	4PCS






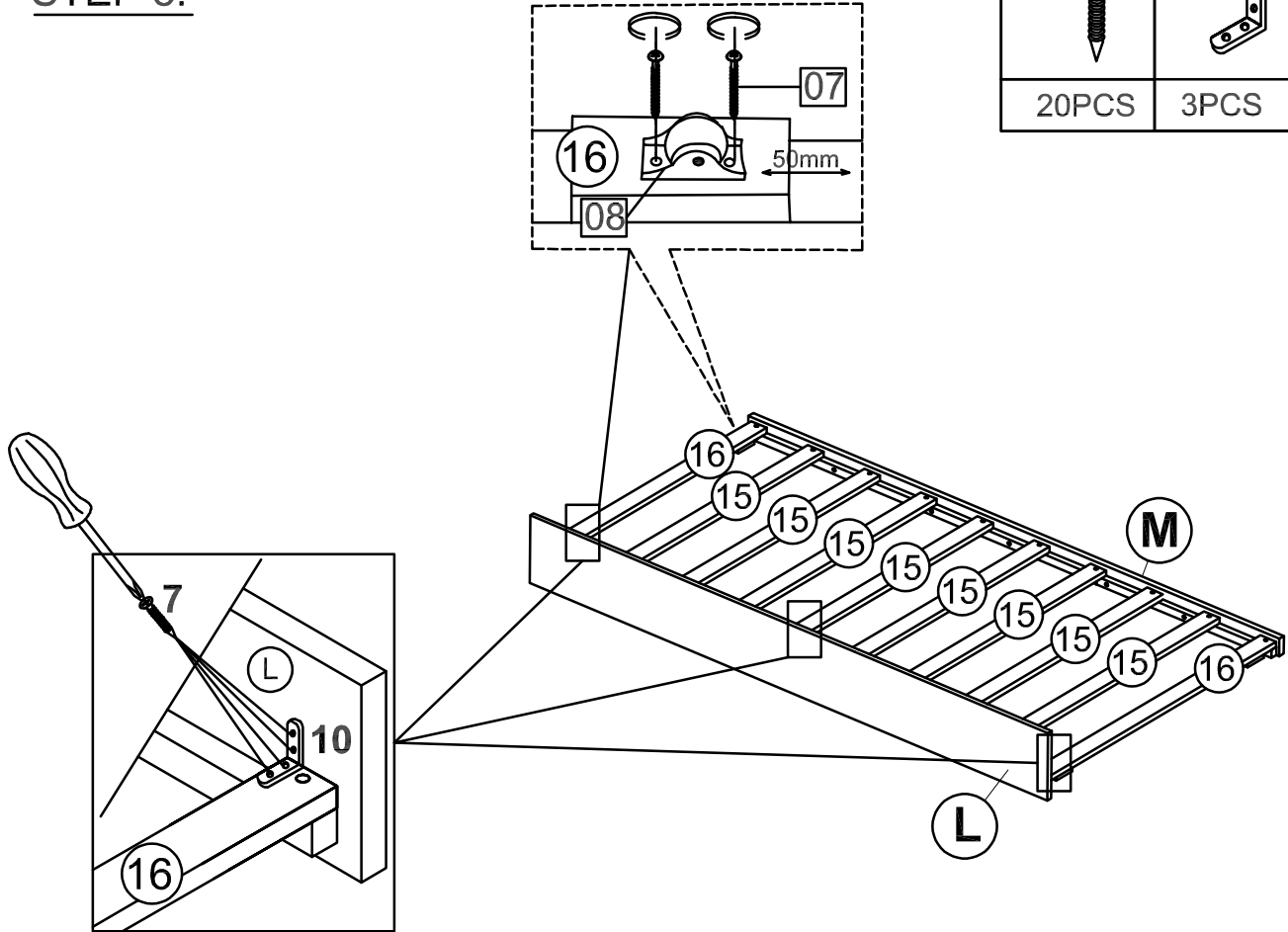
**STEP 7:**

06	
20PCS	



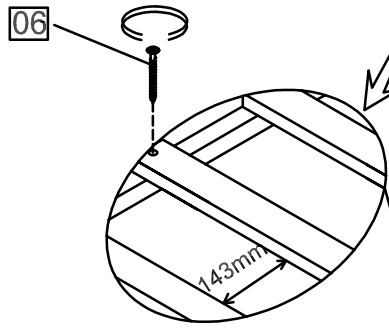
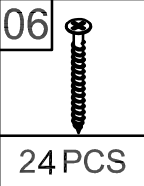
**STEP 8:**

07		10		08	
20PCS		3PCS		4PCS	



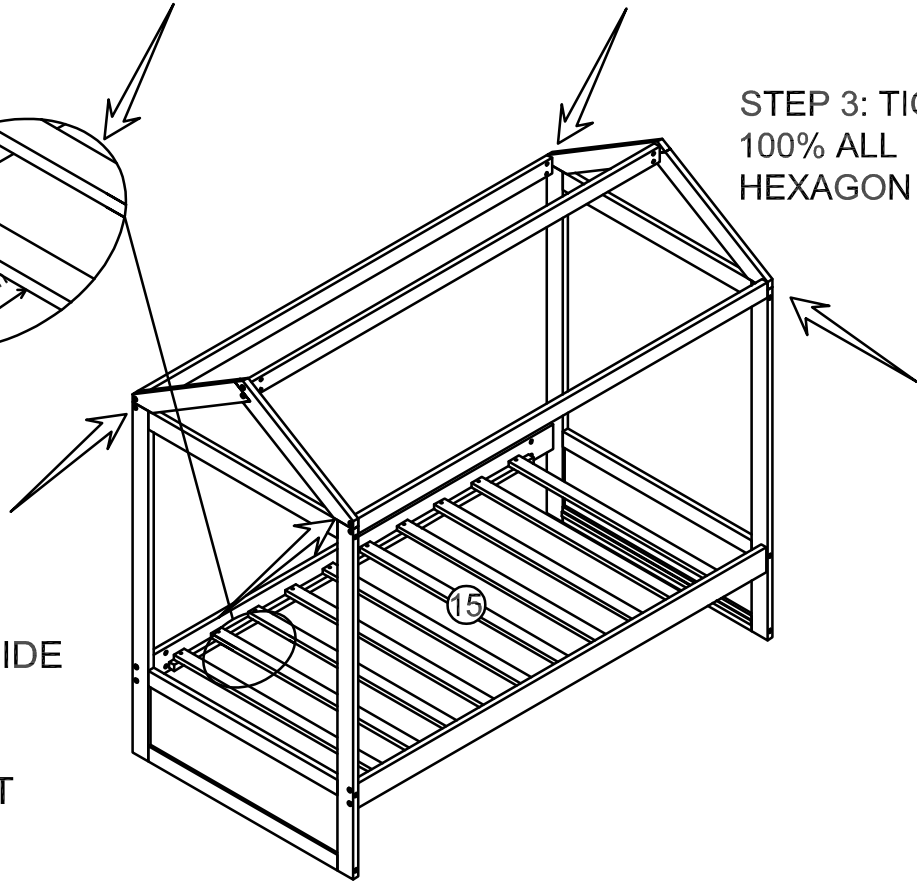
STEP 9:

STEP 2: SCREW  
ALL SLATS

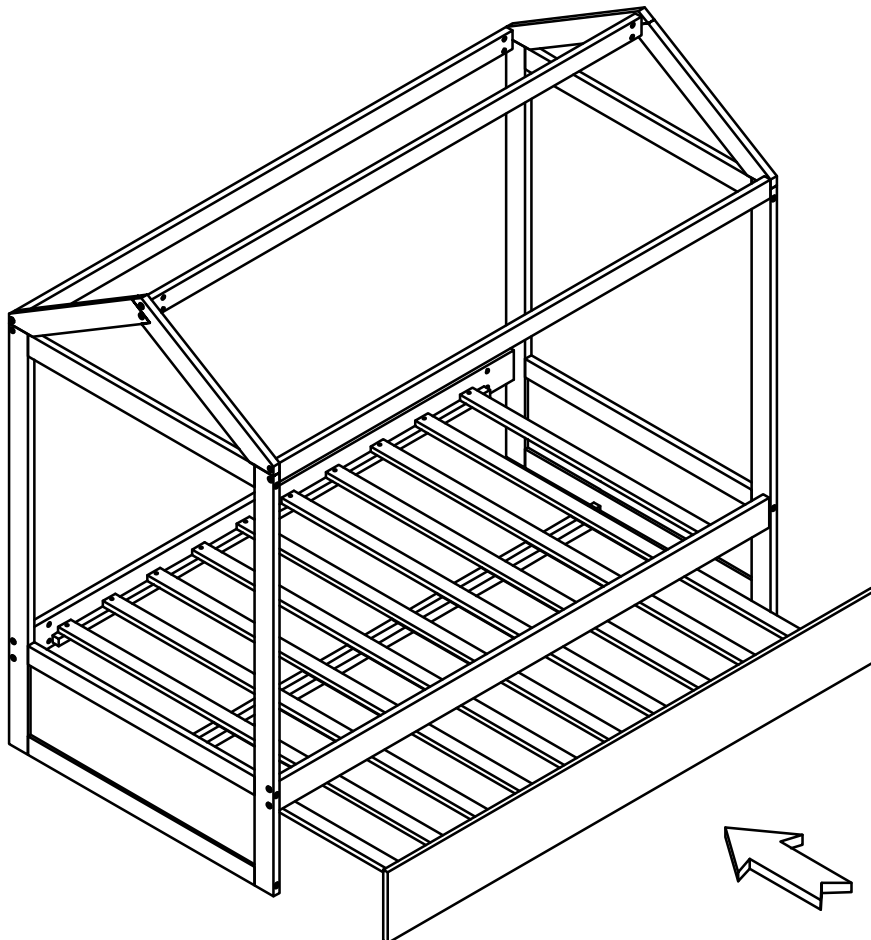


STEP 3: TIGHTEN  
100% ALL  
HEXAGON BOLTS

STEP 1: PULL SIDE  
RAIL CLOSE  
TOGETHER  
ENOUGH TO FIT  
THE SLATS



STEP 10:



# Completed

