

## Outdoor Storage Shed 10X8ft Manual

Dear customer,

Thank you for your support. If you have any questions or concerns, please don't hesitate to contact us. Our customer service team is always here to help and assist you in any way we can. Thank you again for choosing our chicken coop.

Street: 8 The Green Suite A

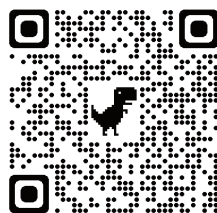
City: Dover State: DE

Post code: 19901

Phone: 3022415039/  
6605538327

Email: [easyhelpservice@yahoo.com](mailto:easyhelpservice@yahoo.com)

Scan the code on your phone and  
contact us via email.



**[sannwsg.com](http://sannwsg.com)**

After-sales phone service hours:

US Central Time: 19:00-23:00









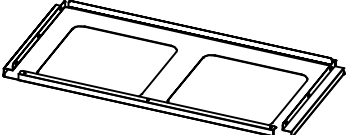
Seattle time: 17:00-21:00

US Eastern Time: 20:00-00:00








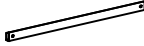












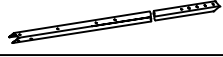



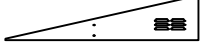

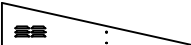












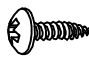




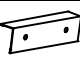
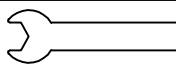


Toronto time: 20:00-00:00

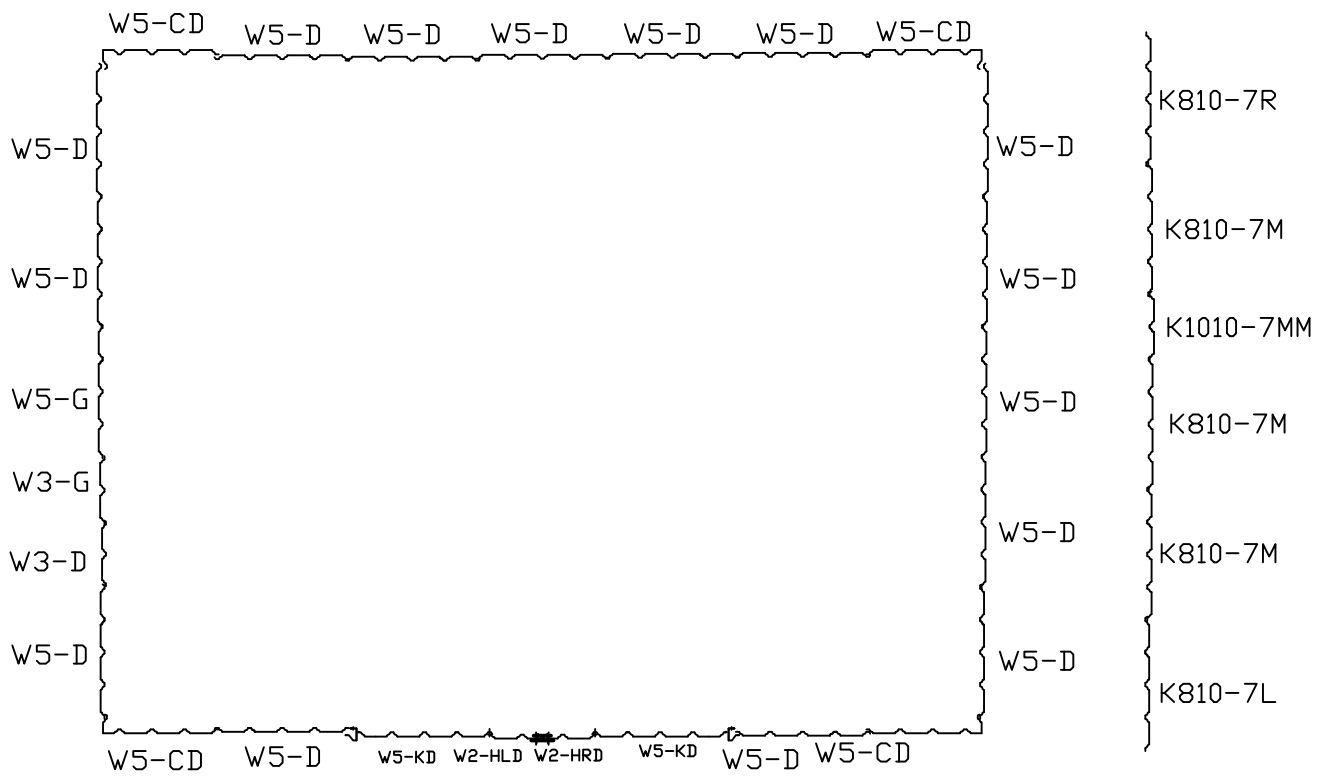
Germany time: 8:00-11:00

After-sales mailbox service time:  
7\*24 hours

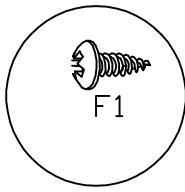
F1008parts list(A)		
PART	NO.	QTY.
	W5-KD	2
	W5-D	15
	K810-7L	2
	K810-7M	6
	K810-7R	2
	W3-D	1
	W5-G	1
	W3-G	1
	TCH	2

### F1008parts list(B)

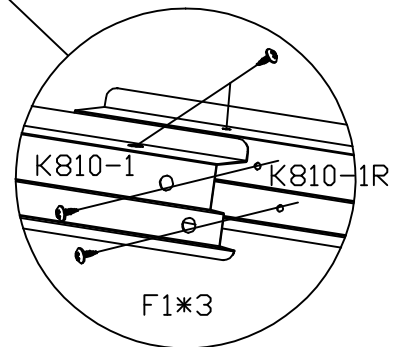
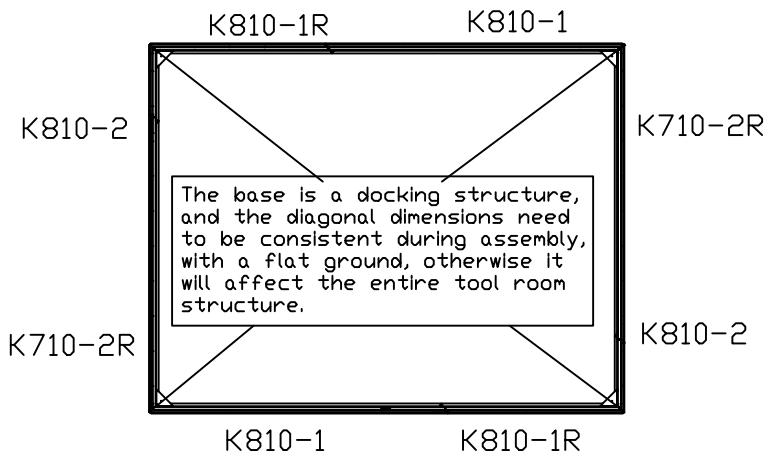
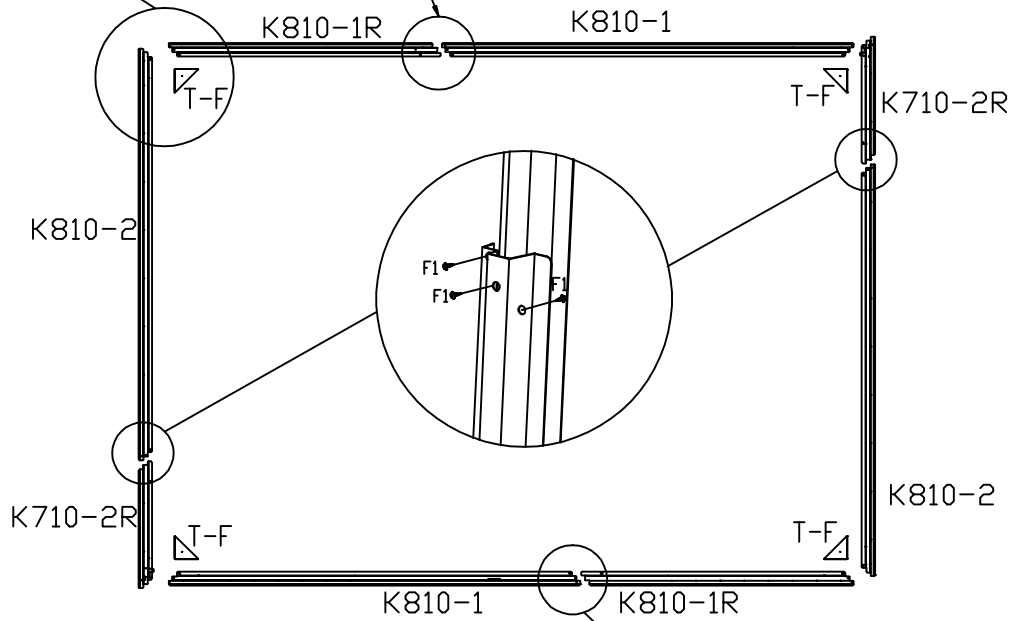
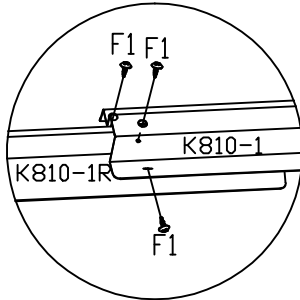
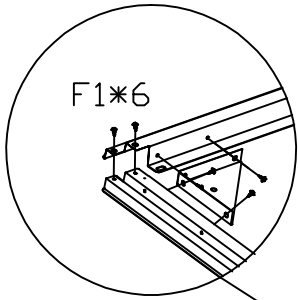
PART	NO.	QTY.	PART	NO.	QTY.
	W5-CD	4		DAD	2
	K1010-7MM	2		DLAD	1
	W2-HLD	1		DRAD	1
	W2-HRD	1		DDA	4
	K810-1	2		DBD	4
	K810-1R	2		TCH3	1
	K810-2	2		TCH5	1
	K710-2R	2		TCH6	1
	K810-3	2		TCH7	1
	K810-3L	2		GC	4
	K810-4	2		GE	2
	K710-4R	2		T-F	4
	K810-5L	2		DC	2
	K810-5R	2		C2	4
	K710-6	4		DH	4
	K710-6R	4		F1	433
	K810-8	4		F2	61
	K710-9L	2		F3	32
	K710-9R	2		V2	116
	K810-10	1		F4	4
	K710-10R	1		GL	1
	UAD	2		SL	54
	C3	4		M20	1
	C4	4		ST	2





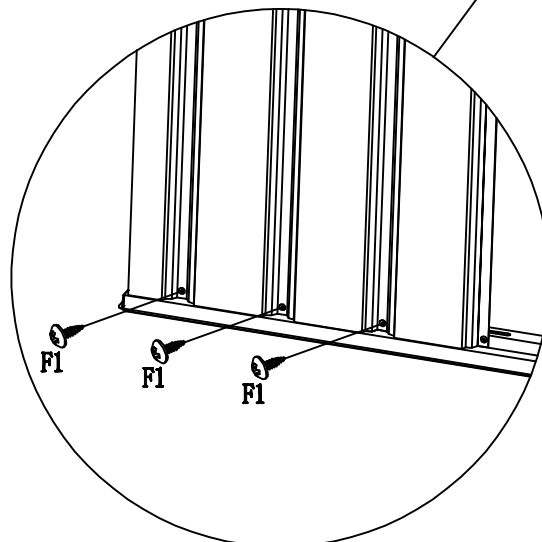
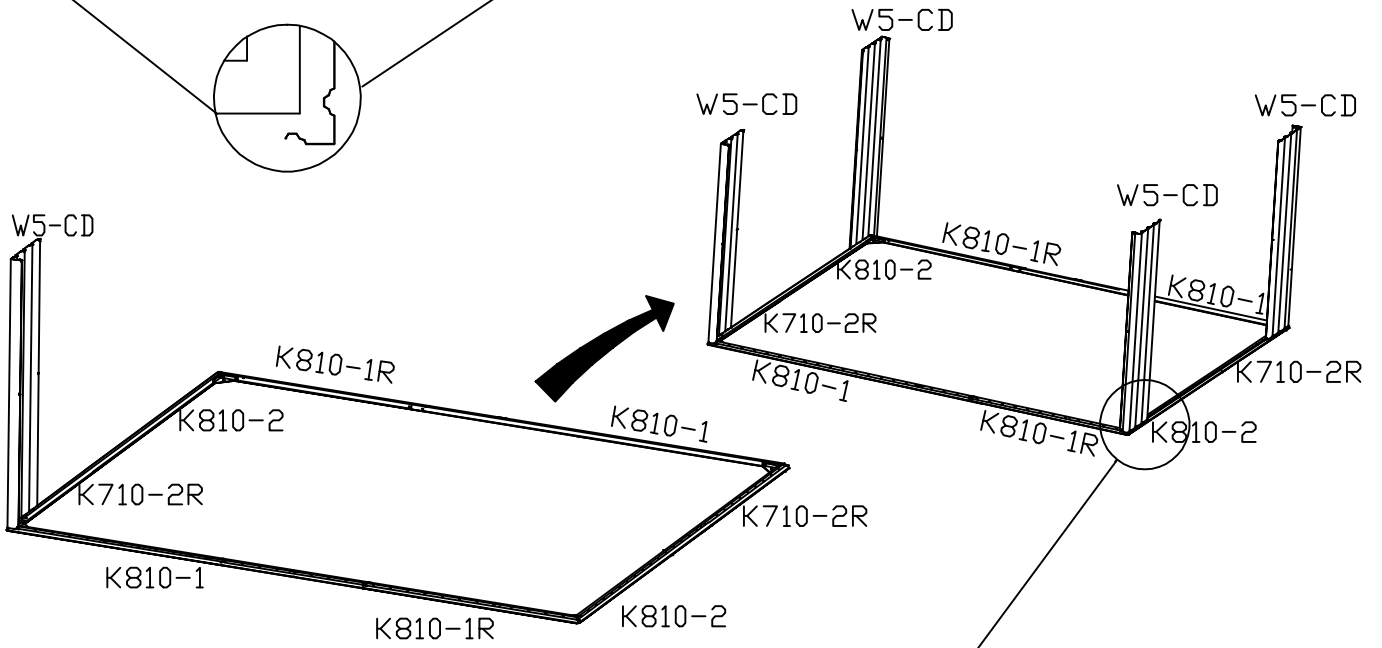
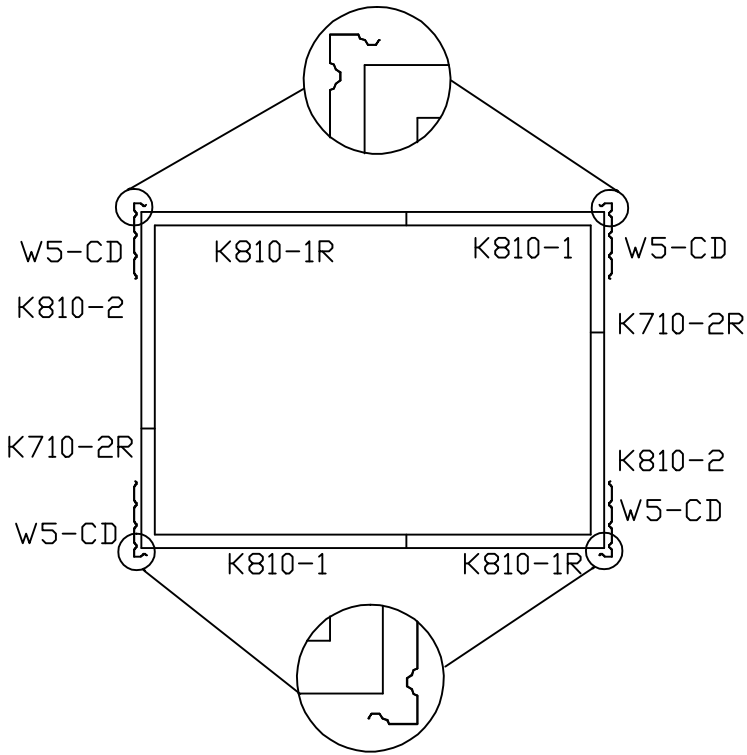








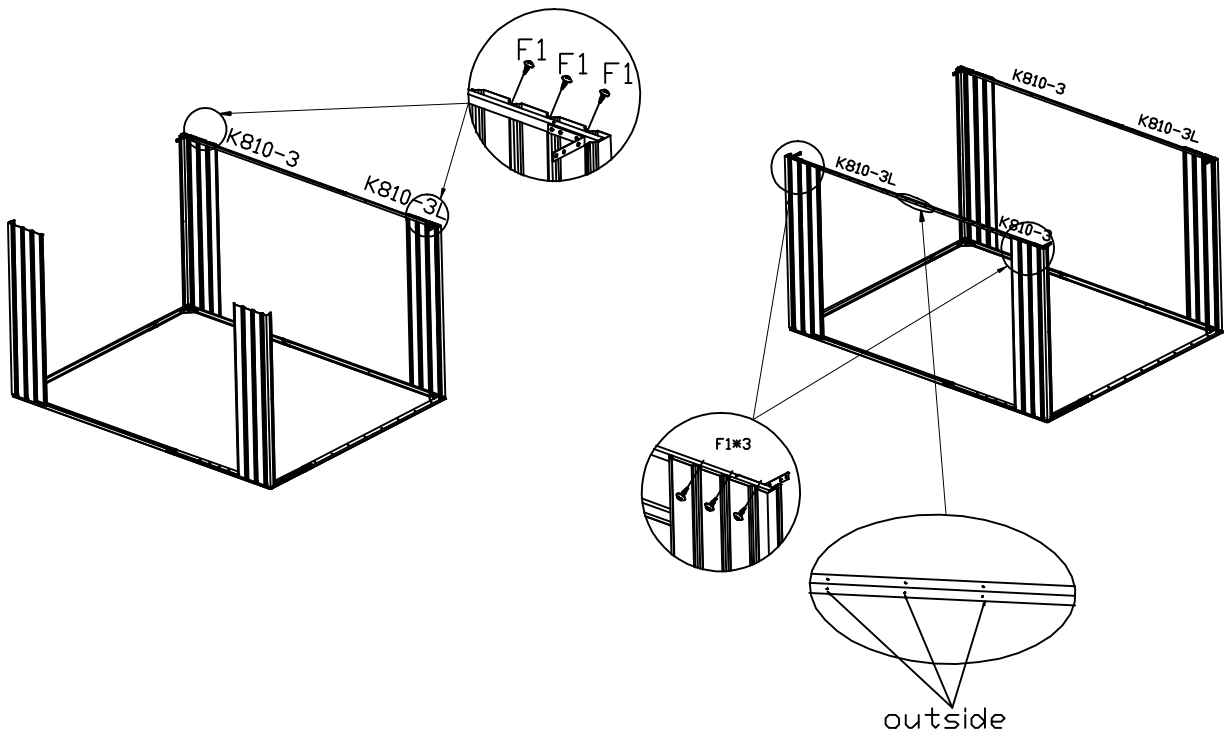
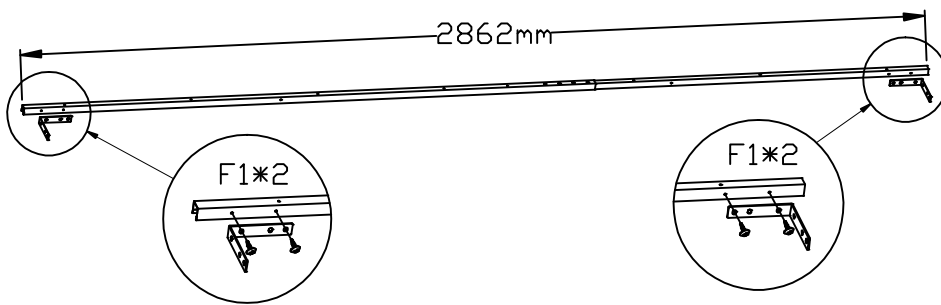
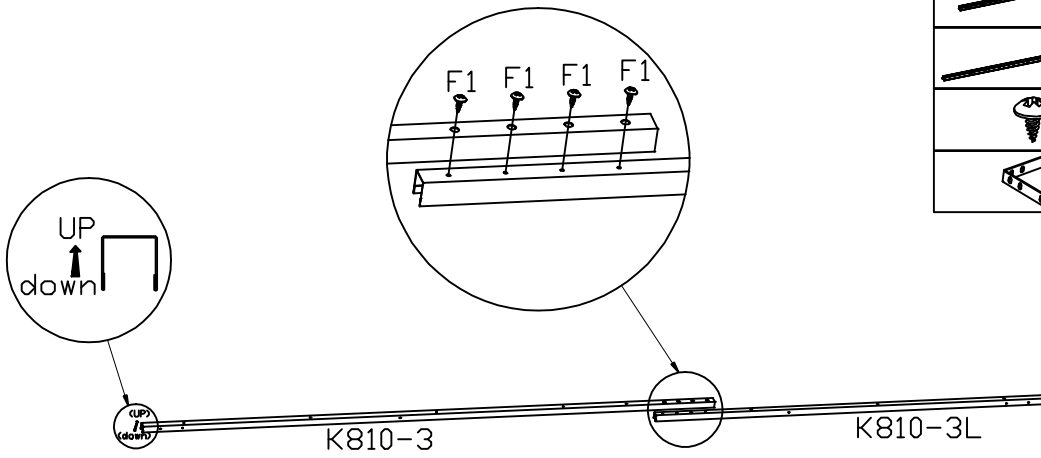
PART	NO.	QTY.
	K810-1	2
	K810-1R	2
	K810-2	2
	K710-2R	2
	T-F	4
	F1	36






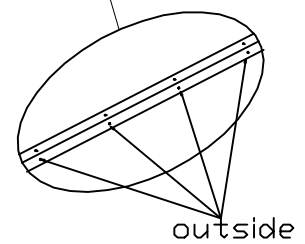
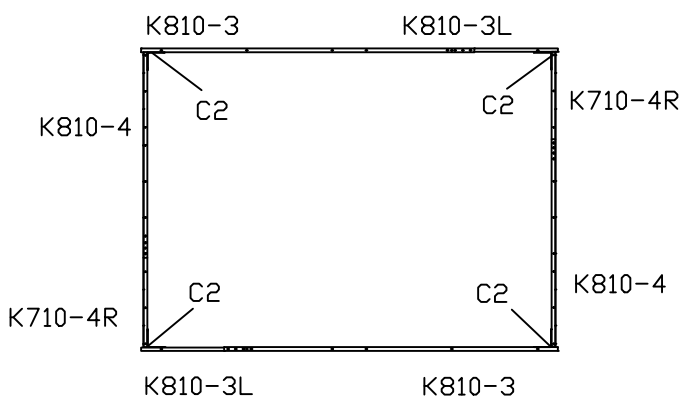
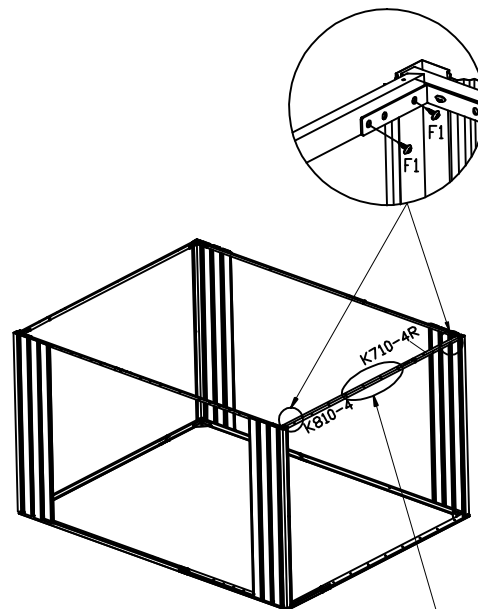
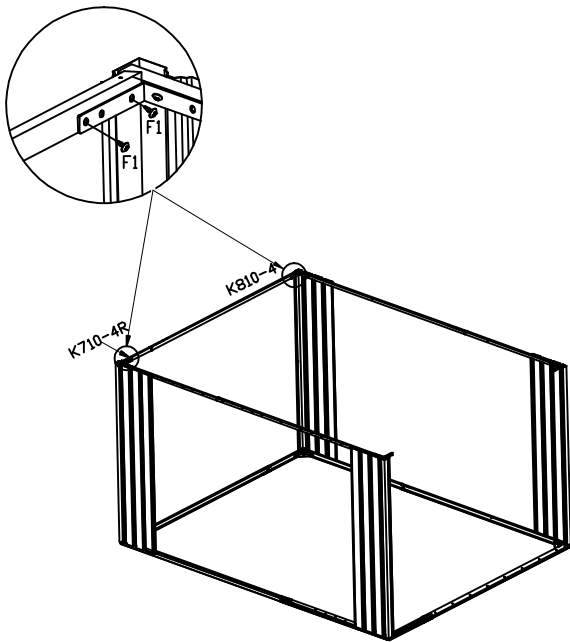
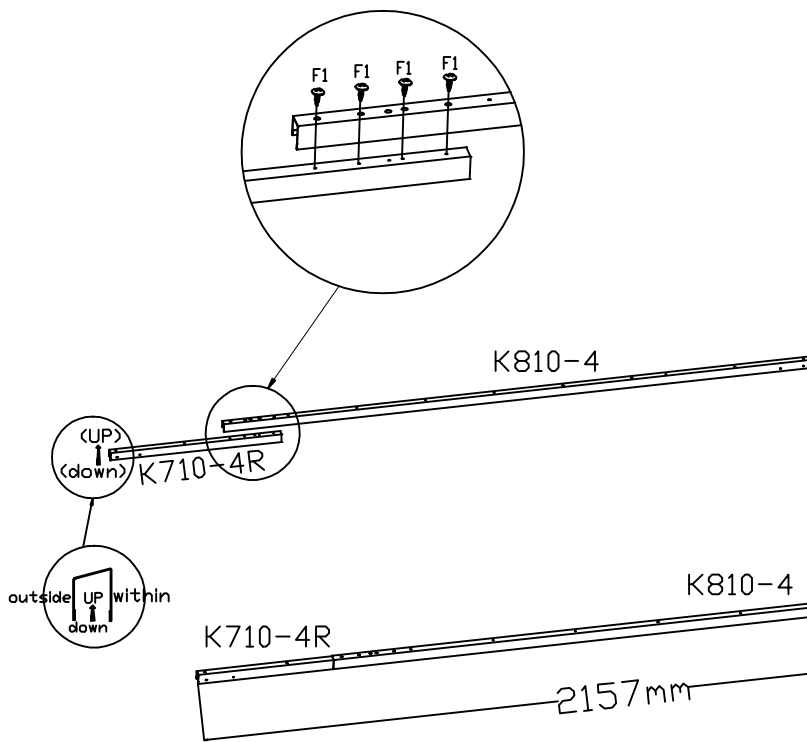
PART	NO.	QTY.
	W5-CD	4
	F1	12

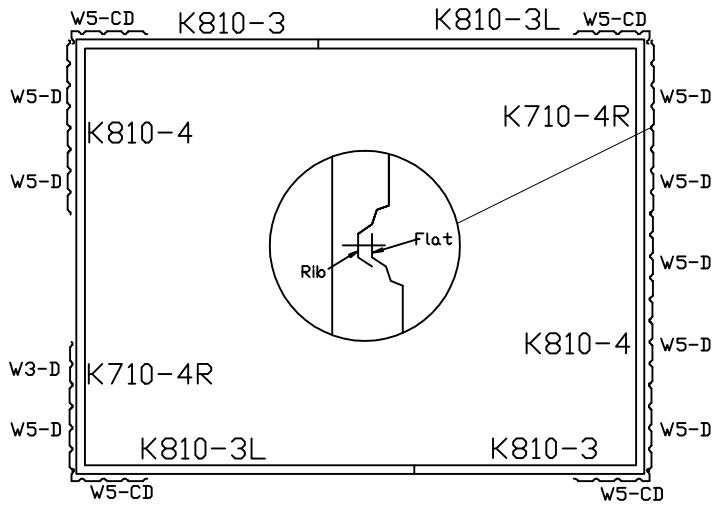






PART	NO.	QTY.
	K810-3	2
	K810-3L	2
	F1	28
	C2	4

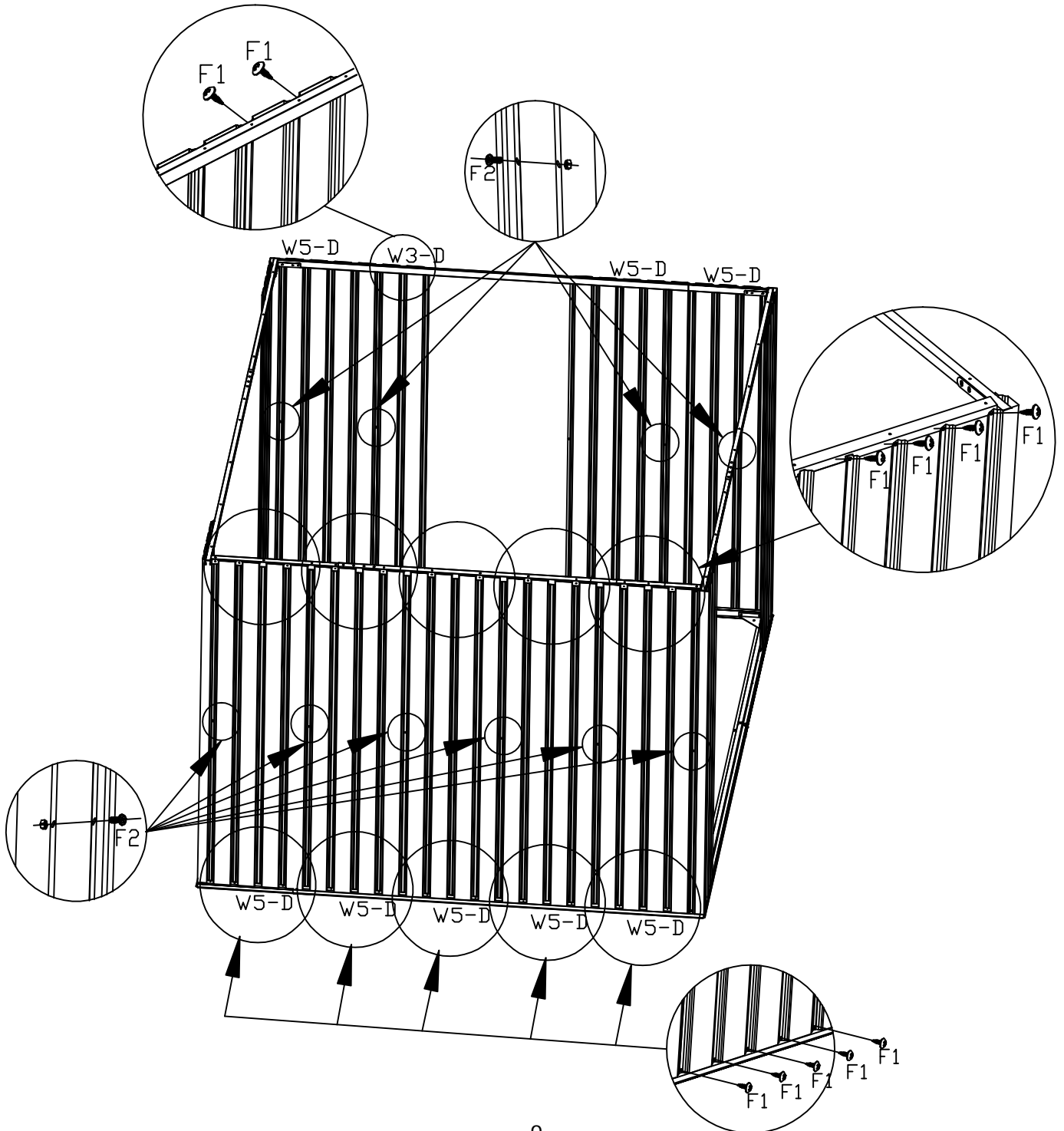


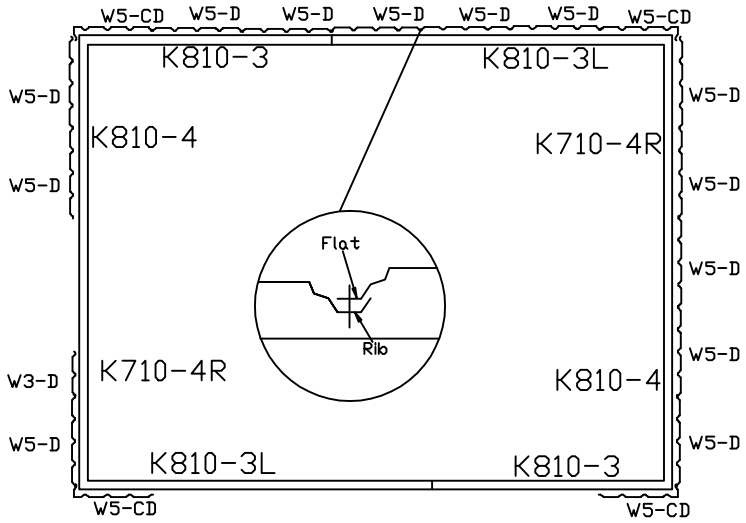
PART	NO.	QTY.
	K810-4	2
	K710-4R	2
	F1	16



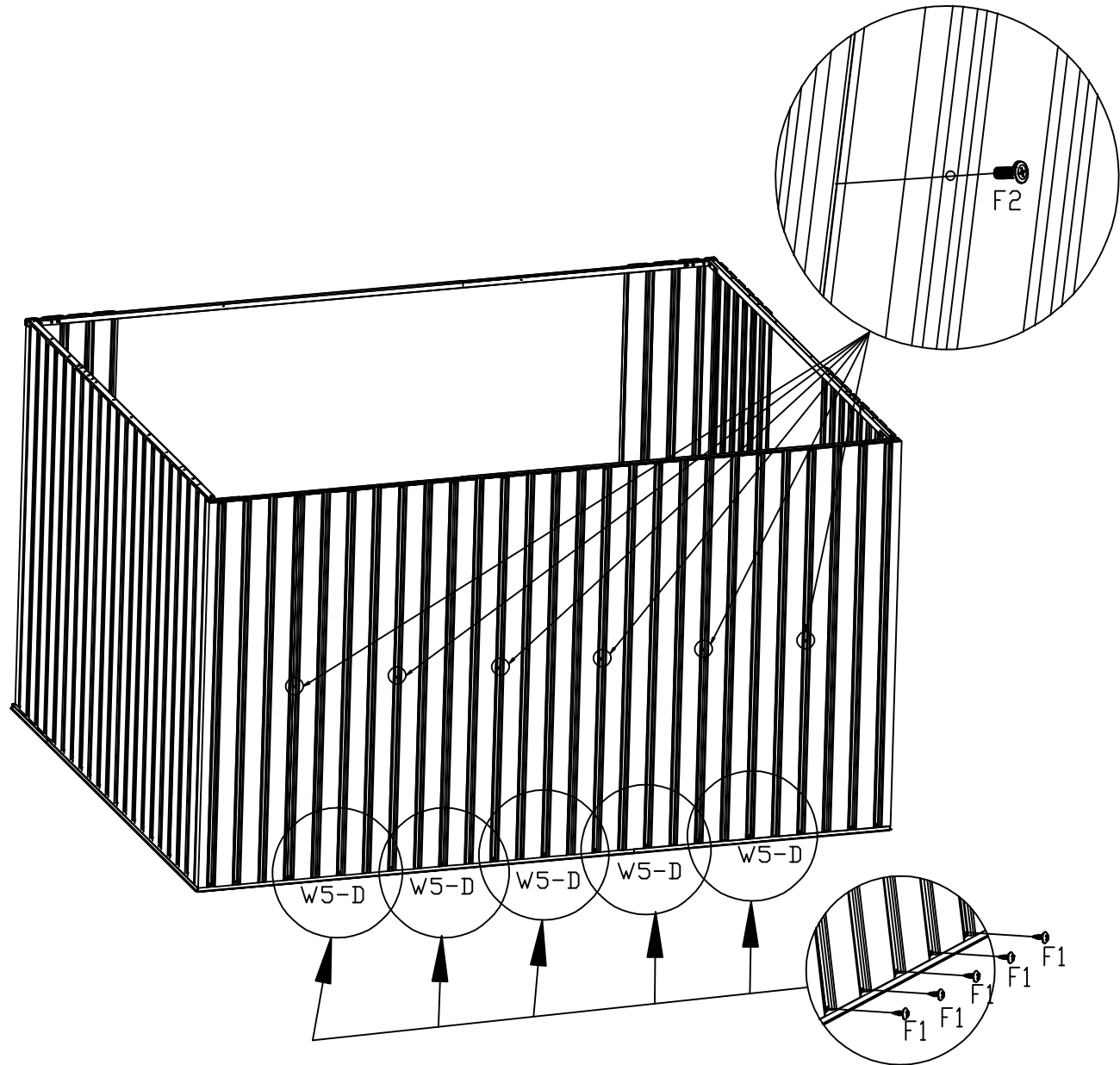





PART	NO.	QTY.
	W5-D	8
	W3-D	1
	F1	70
	F2	10

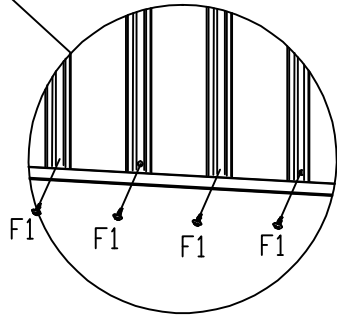
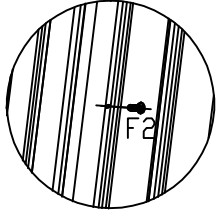
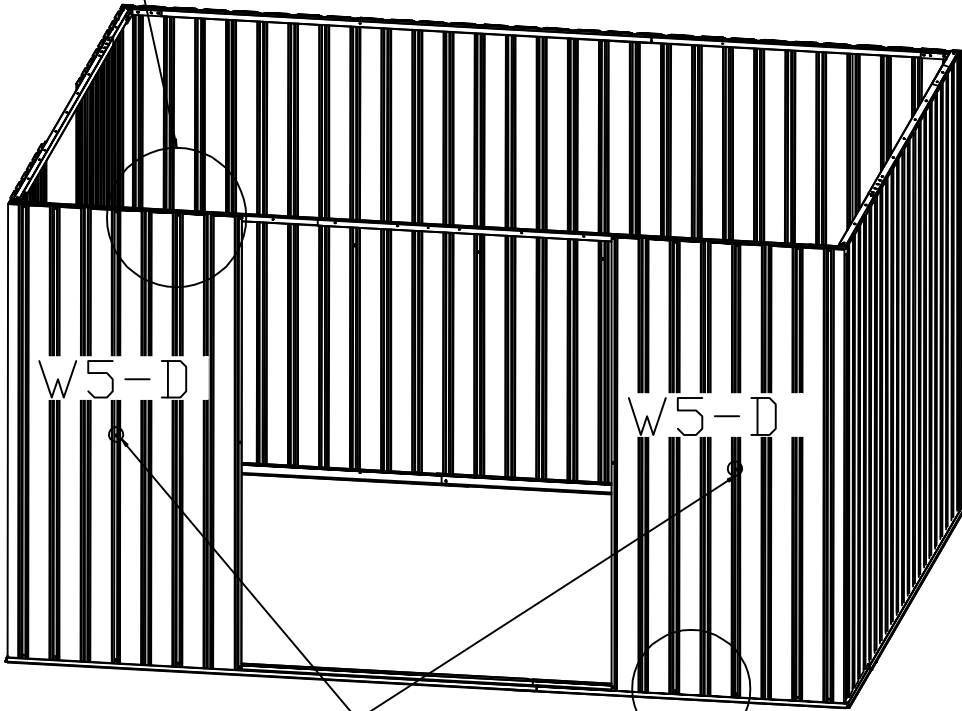
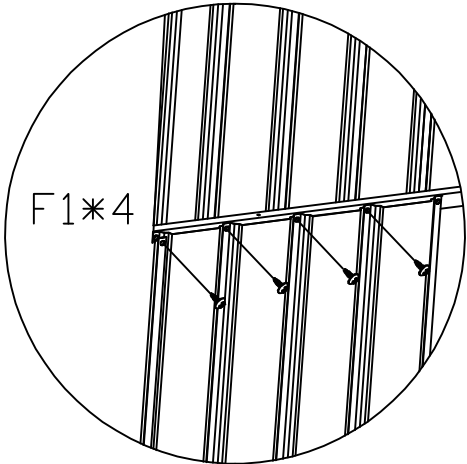
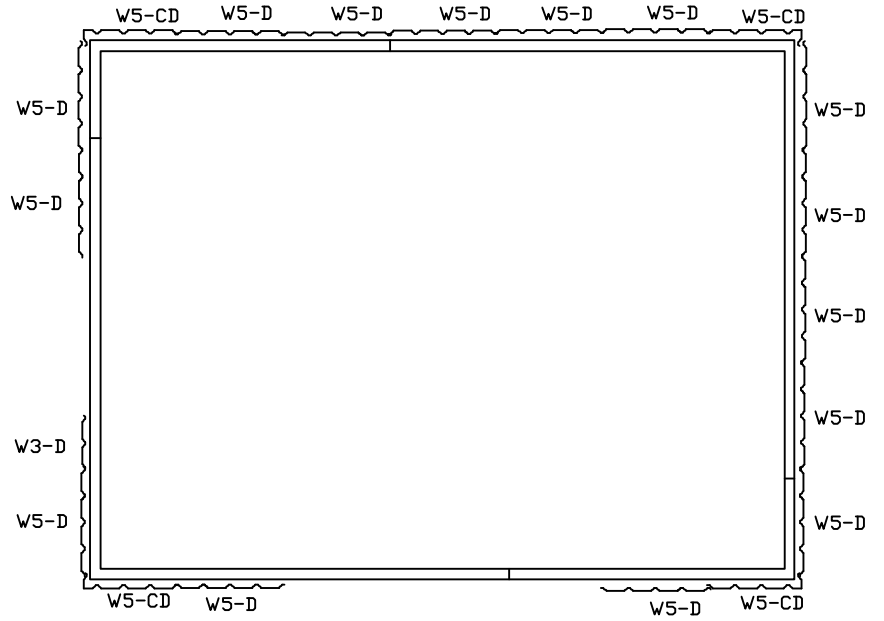







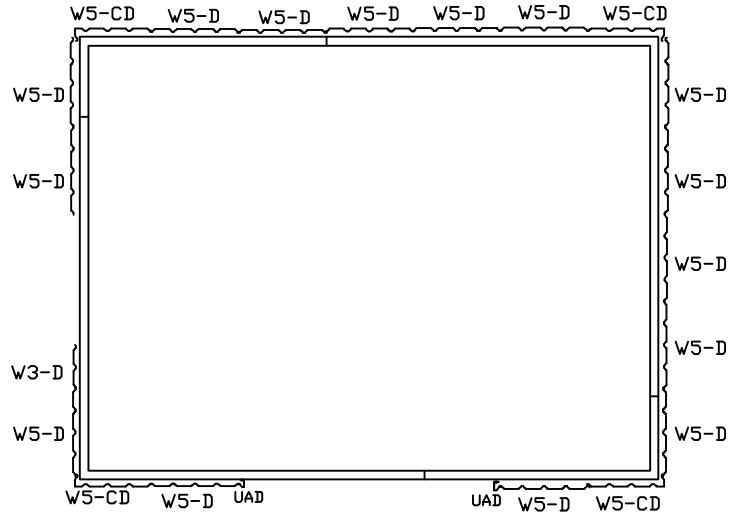
PART	NO.	QTY.
	W5-D	5
	F1	42
	F2	6



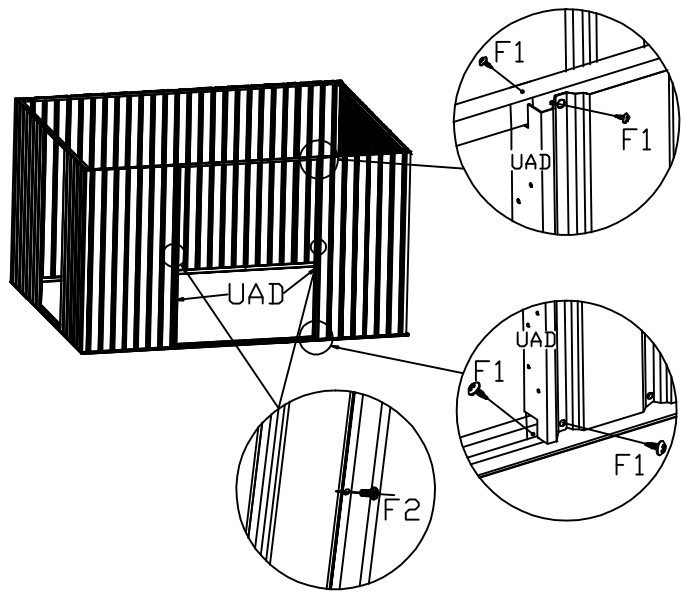
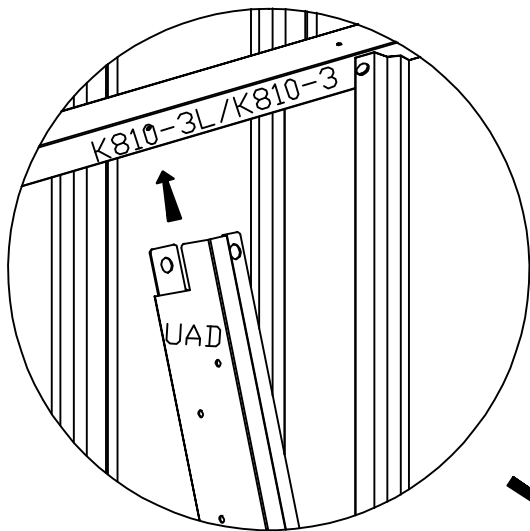
PART	NO.	QTY.
	W5-D	2
	F1	16
	F2	2



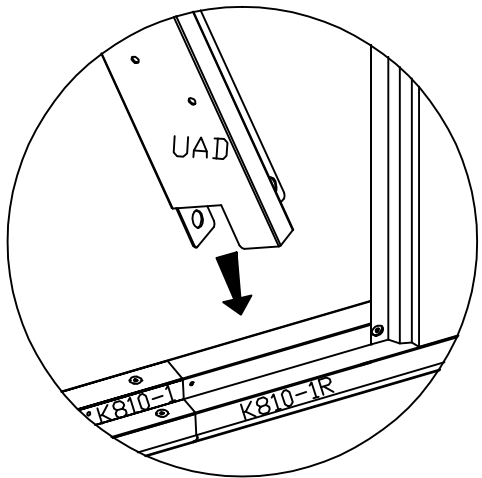
PART	NO.	QTY.
	UAD	2
	F1	8
	F2	2



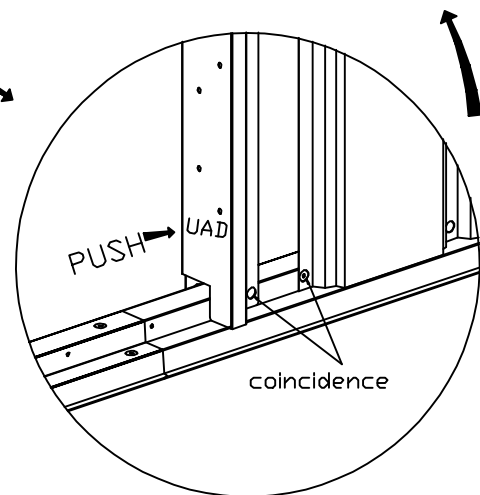
① UAD notch is inserted into K810-3L/K810-3.



④ F1 screw fixation






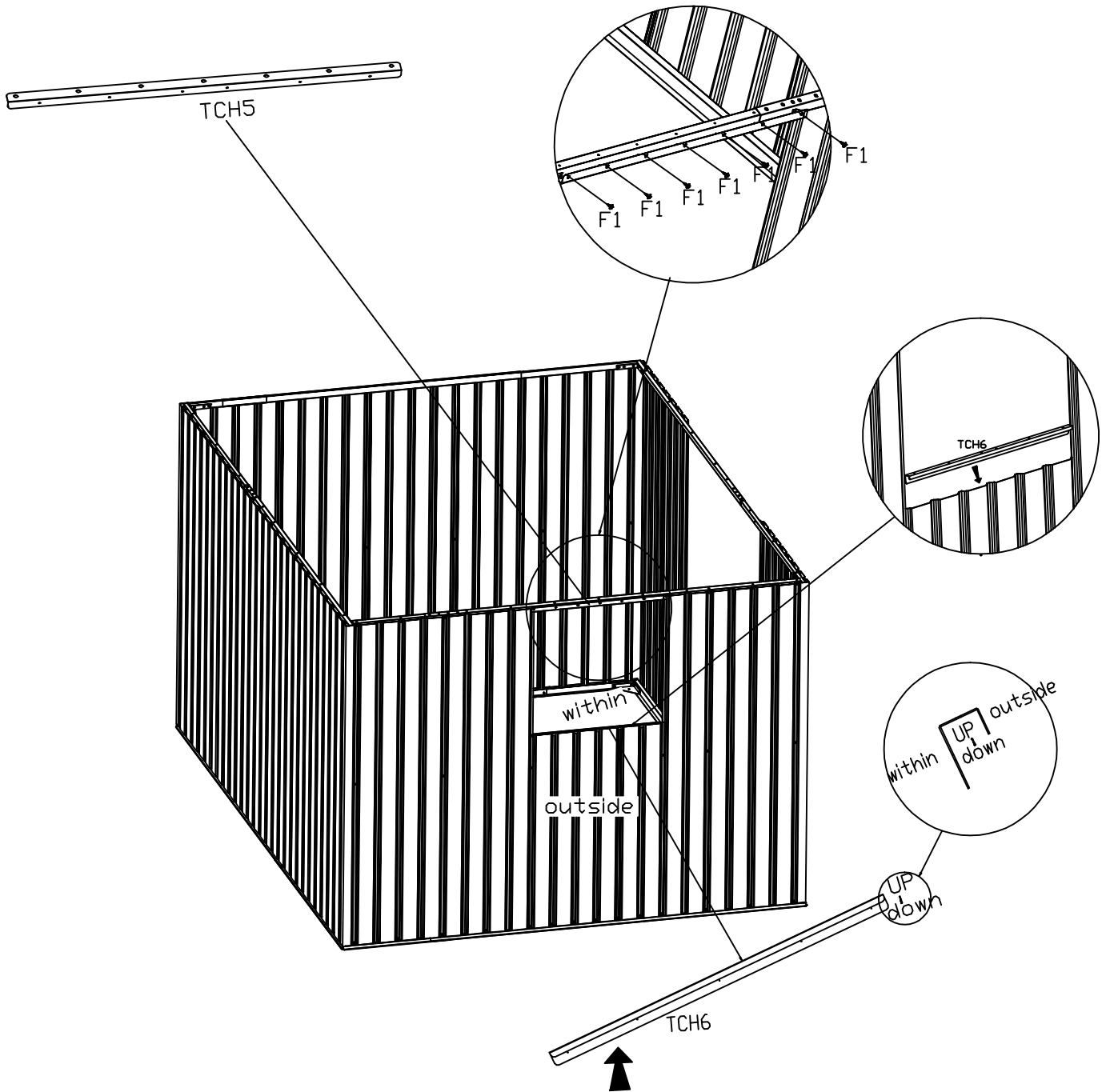
② UAD notch is inserted into K810-1L/K810-1R.






③ Push UAD and W5-D screw holes to coincide.

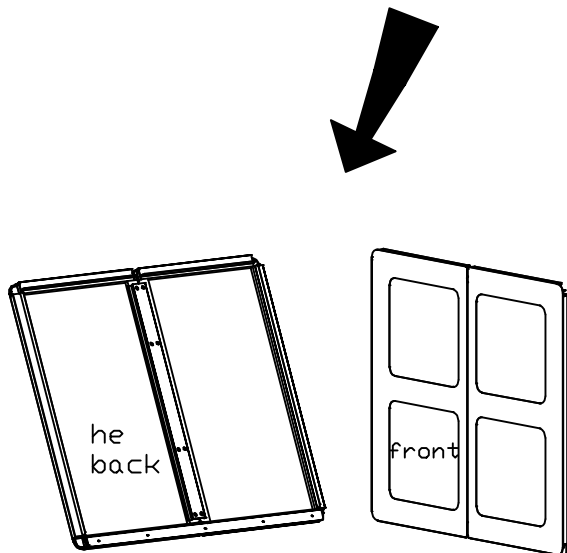
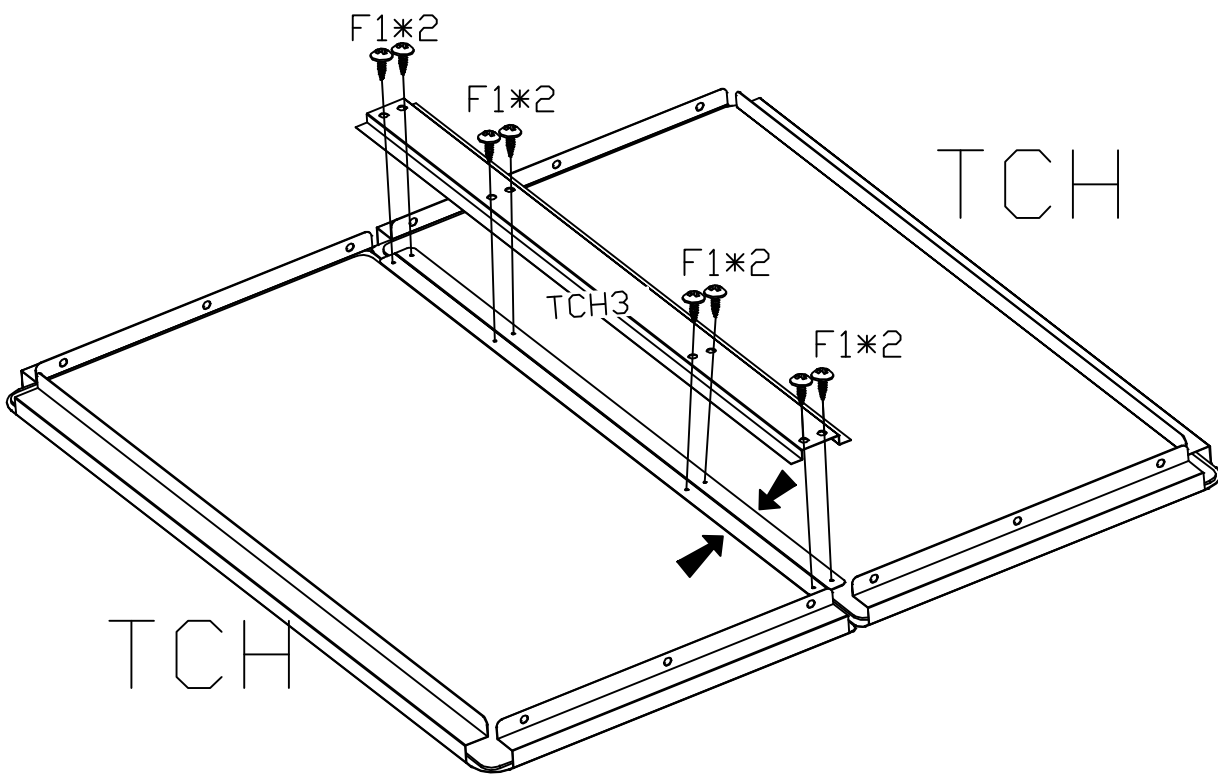


PART	NO.	QTY.
	TCH5	1
	TCH6	1
	F1	7

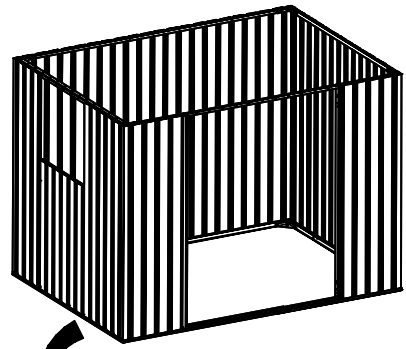
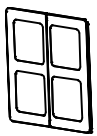





Installation method: Clip the TCH6 slot onto W5-G and W3-G, with the long side facing inward, without the need for screws to secure.

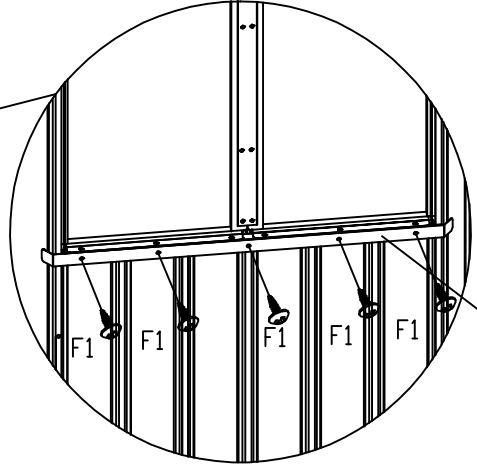
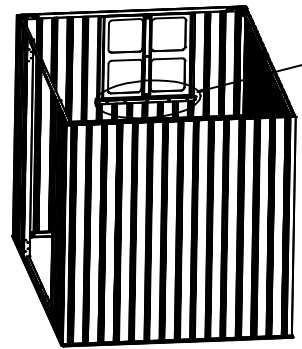
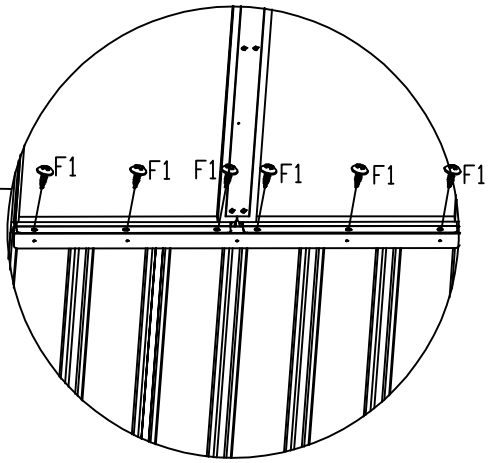
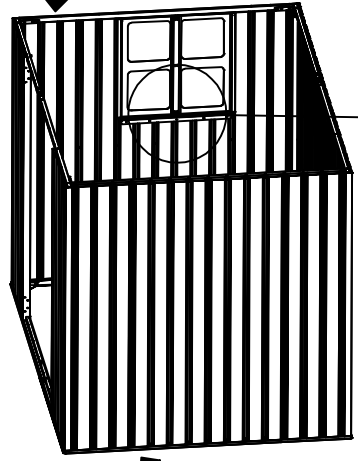
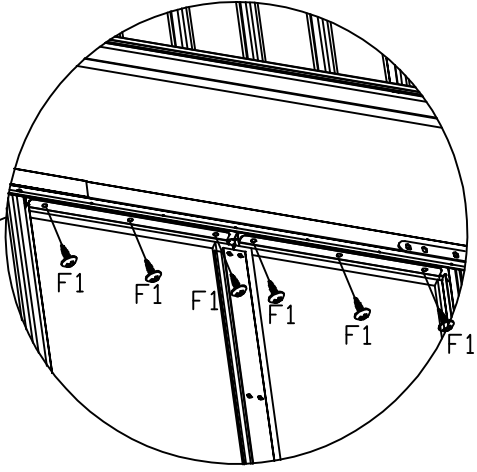
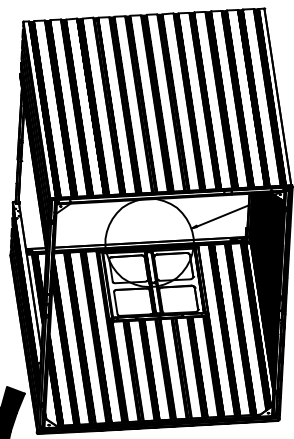
PART	NO.	QTY.
	TCH	2
	TCH3	1
	F1	8




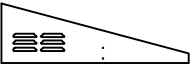


TCH

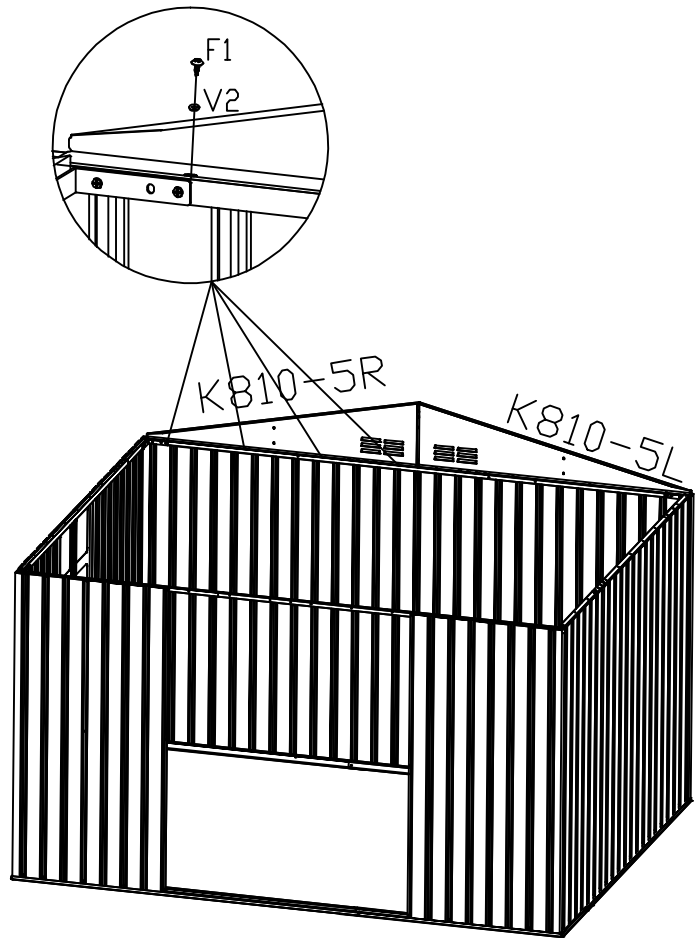
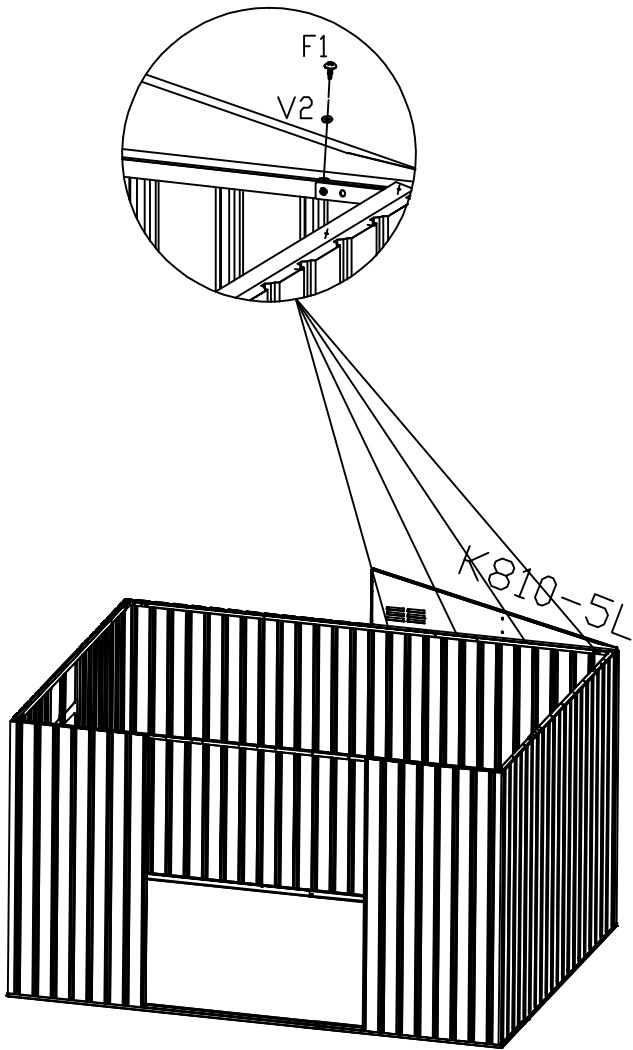


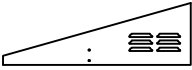
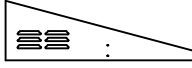


PART	NO.	QTY.
	Window components	1
	TCH7	1
	F1	17

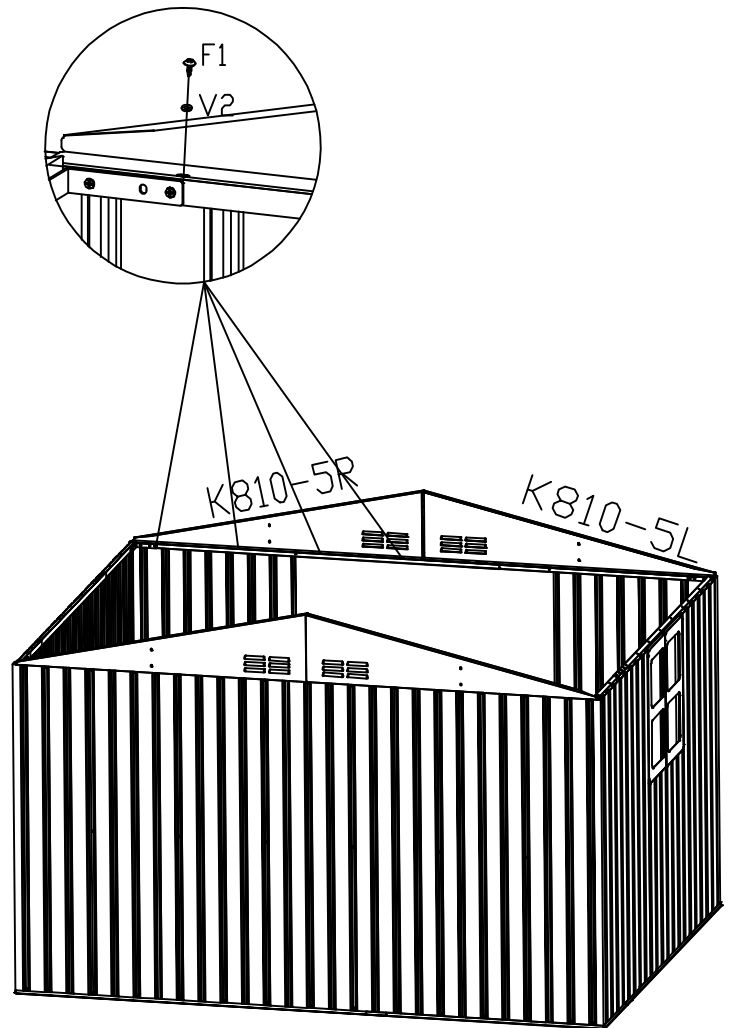
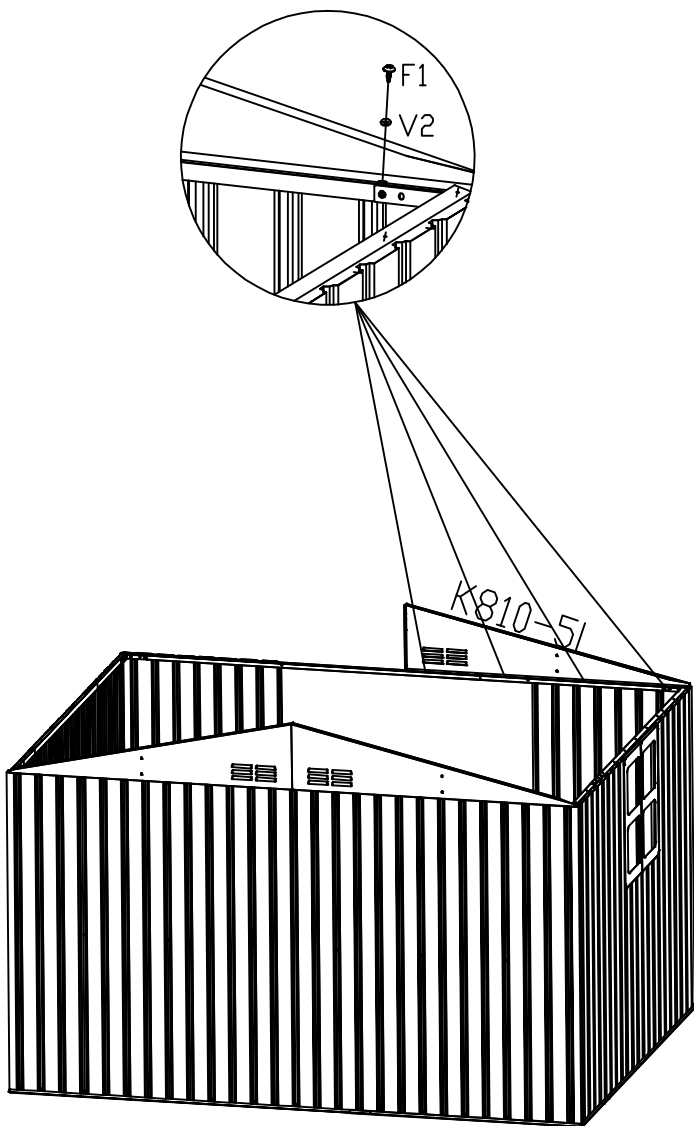


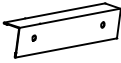
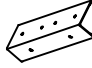


TCH7

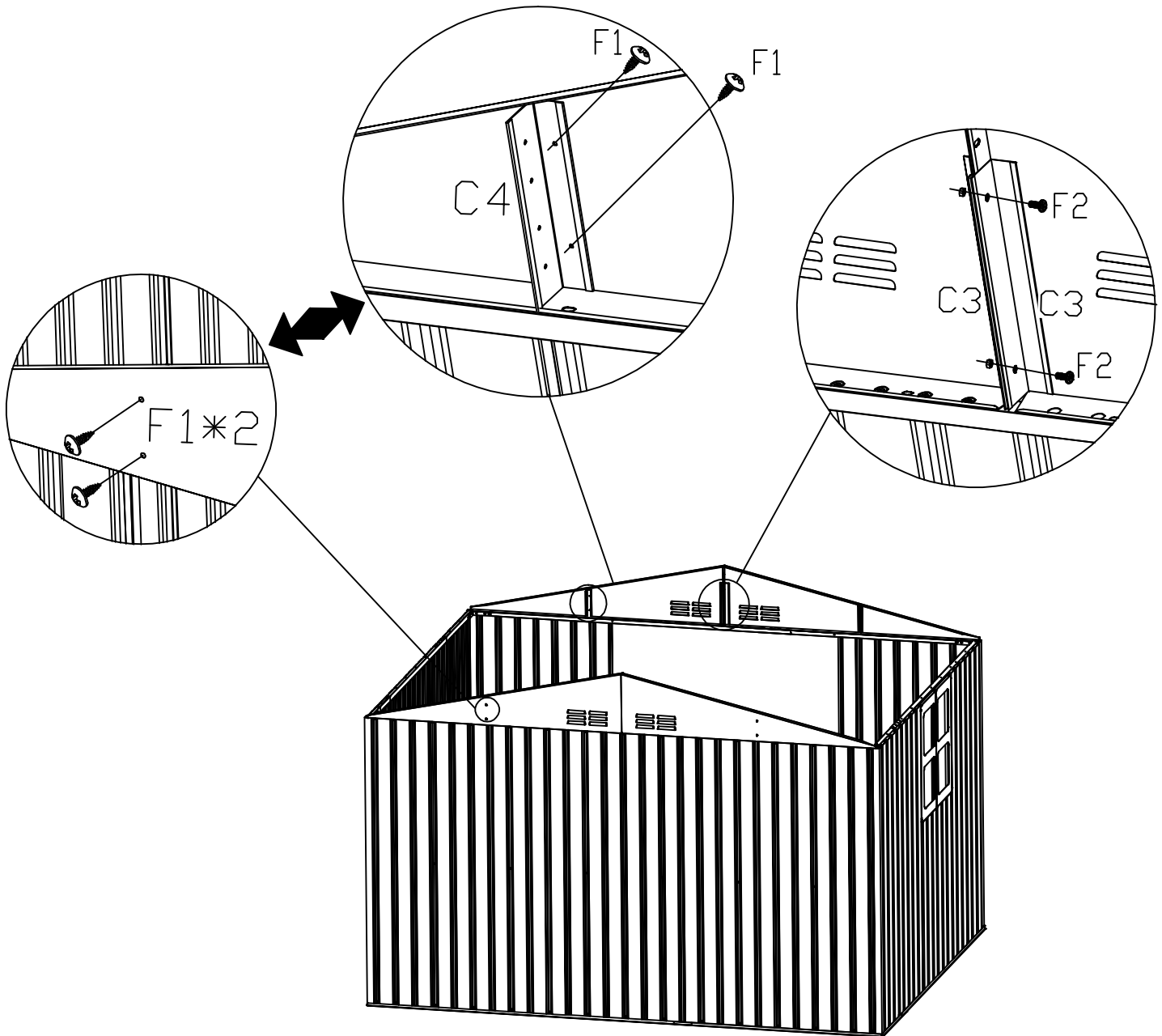
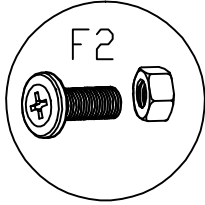
PART	NO.	QTY.
	K810-5L	1
	K810-5R	1
	F1	8
	V2	8






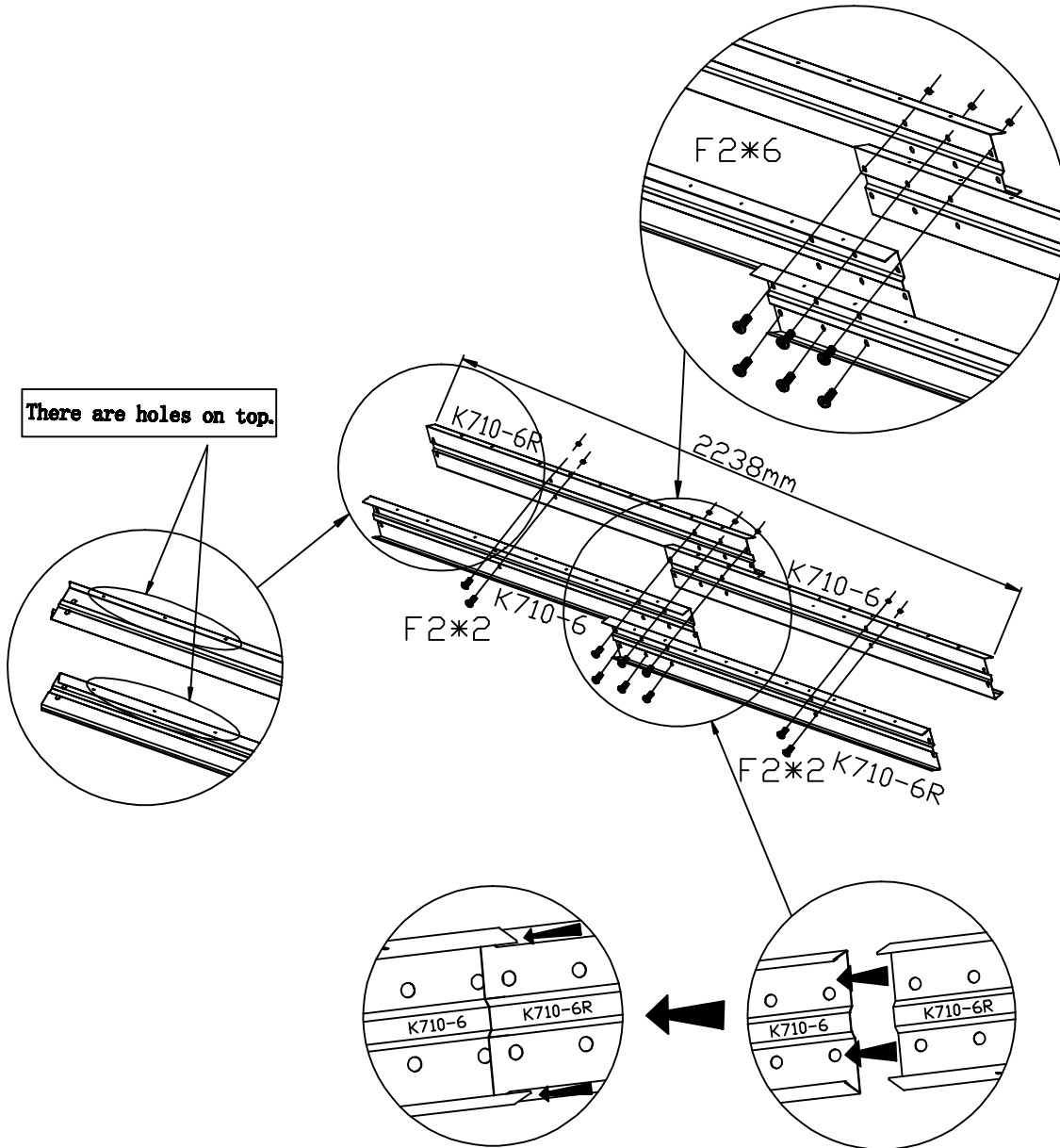
PART	NO.	QTY.
	K810-5L	1
	K810-5R	1
	F1	8
	V2	8




PART	NO.	QTY.
	C3	4
	C4	4
	F2	4
	F1	8

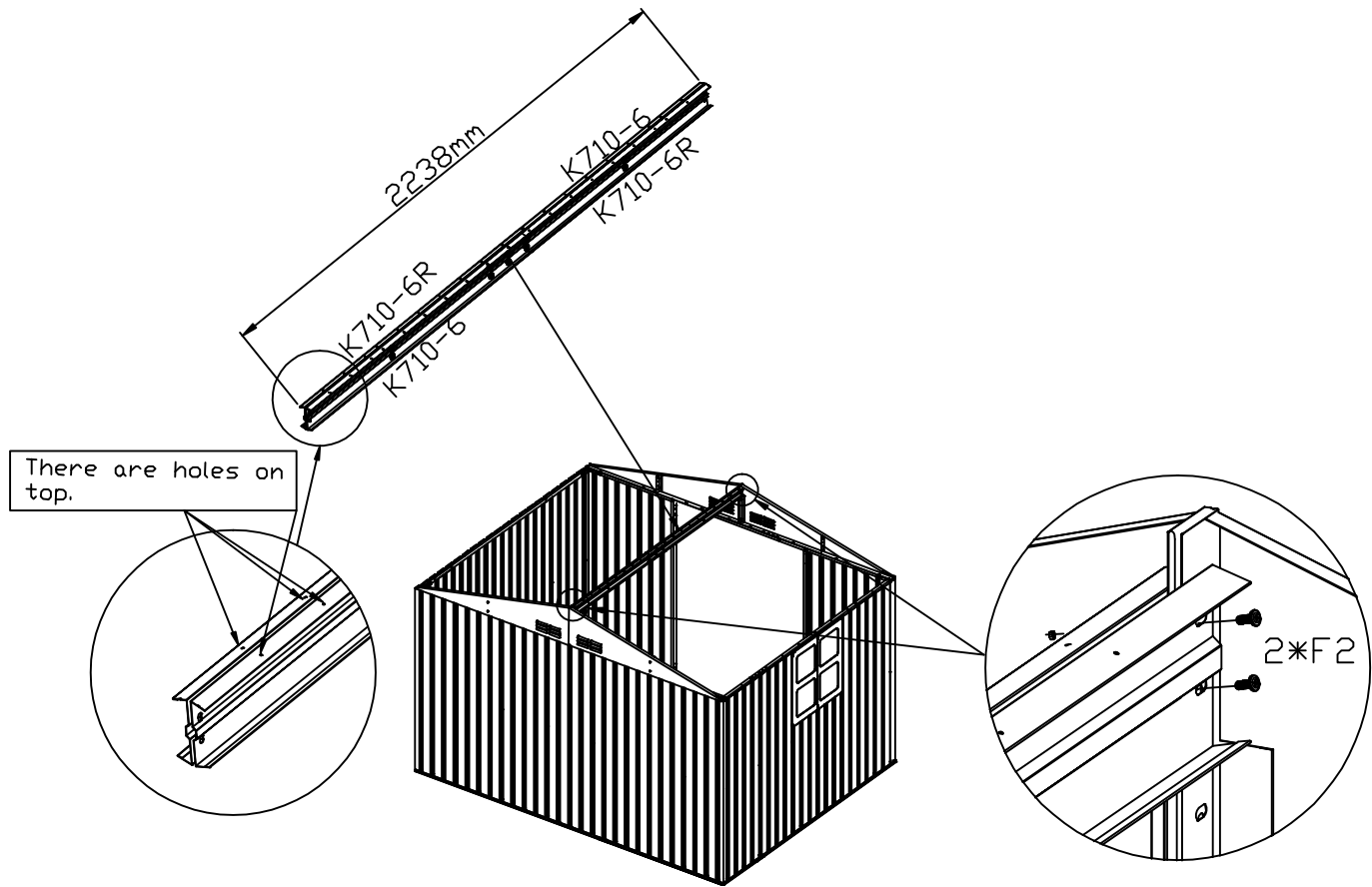






PART	NO.	QTY.
	K710-6	2
	K710-6R	2
	F2	10



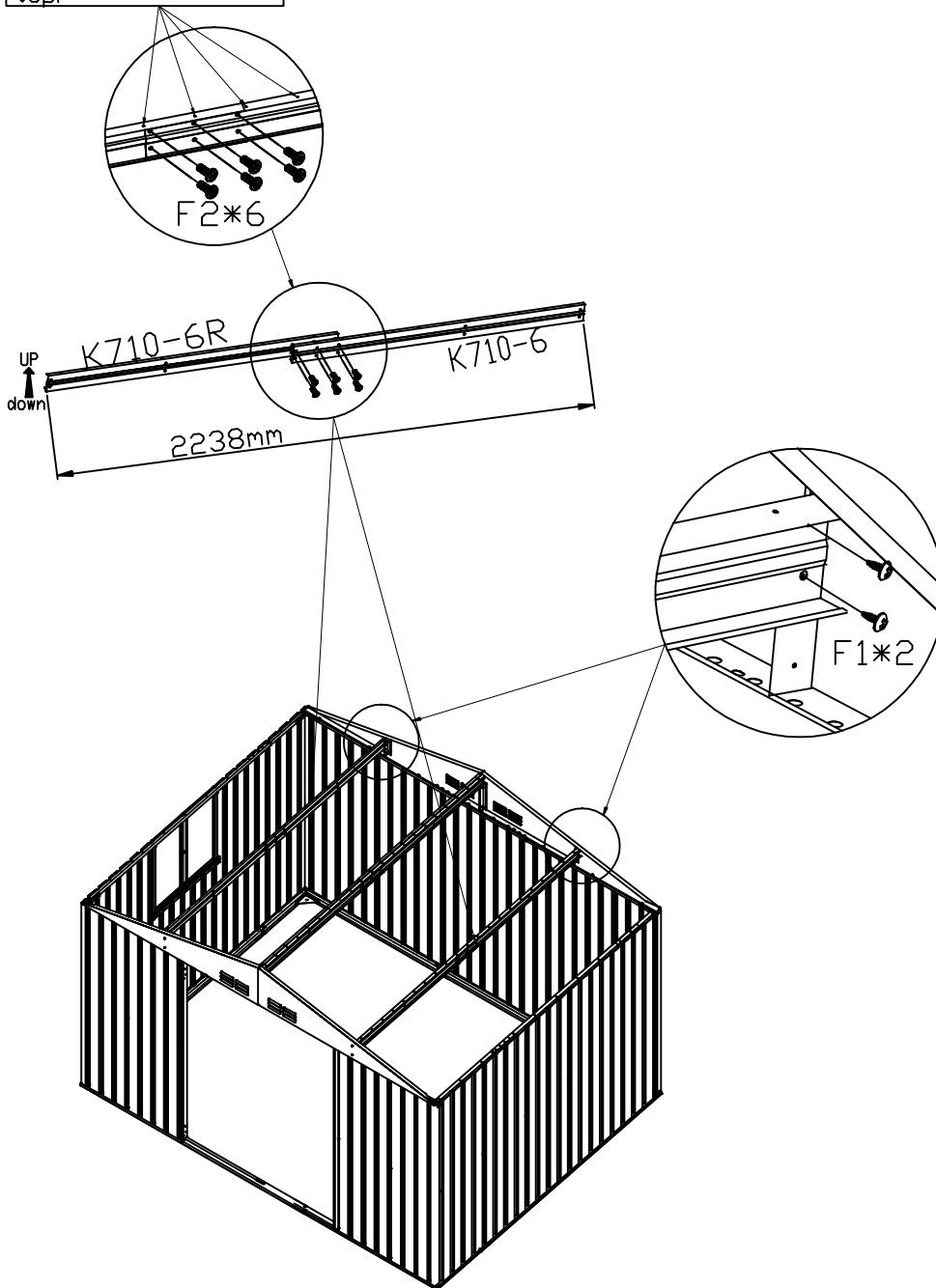
K710-6R has a smaller width and is inserted into K710-6 with aligned holes.

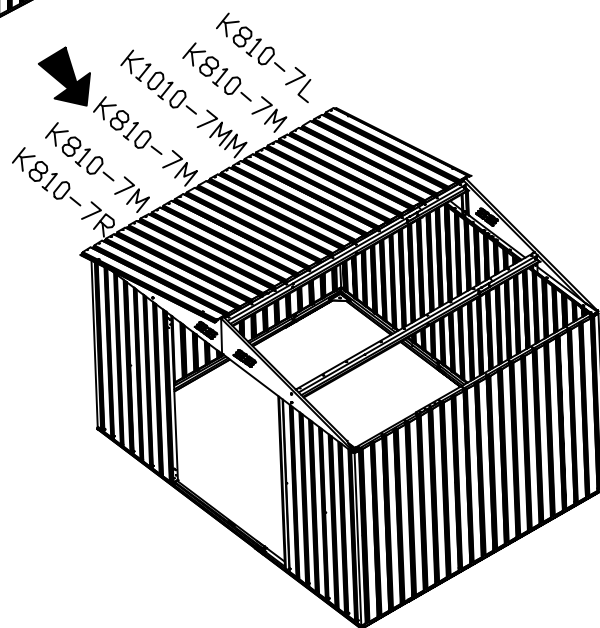
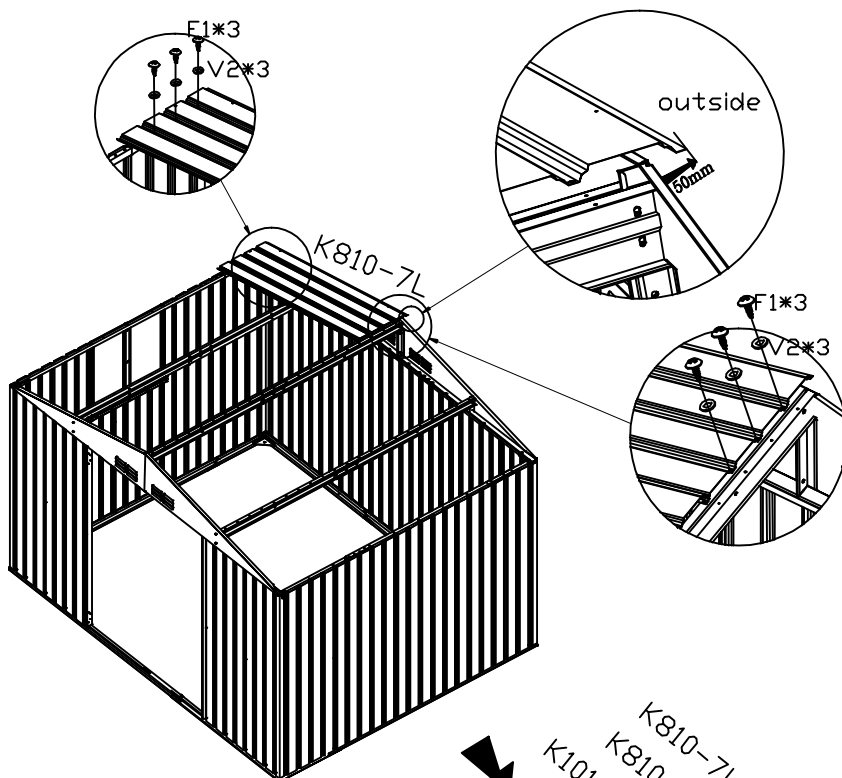
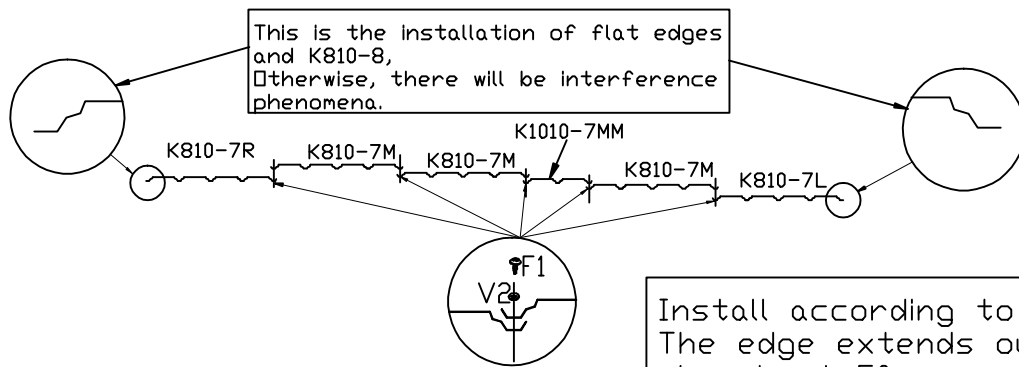
PART	NO.	QTY.
	F2	4



PART	NO.	QTY.
	K710-6	2
	K710-6R	2
	F2	12
	F1	8

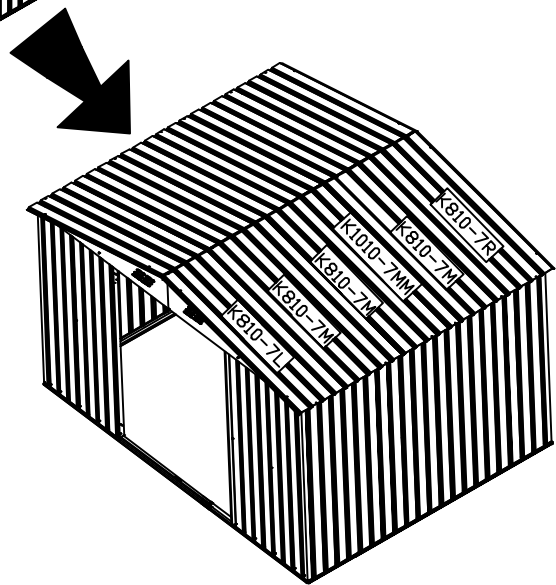
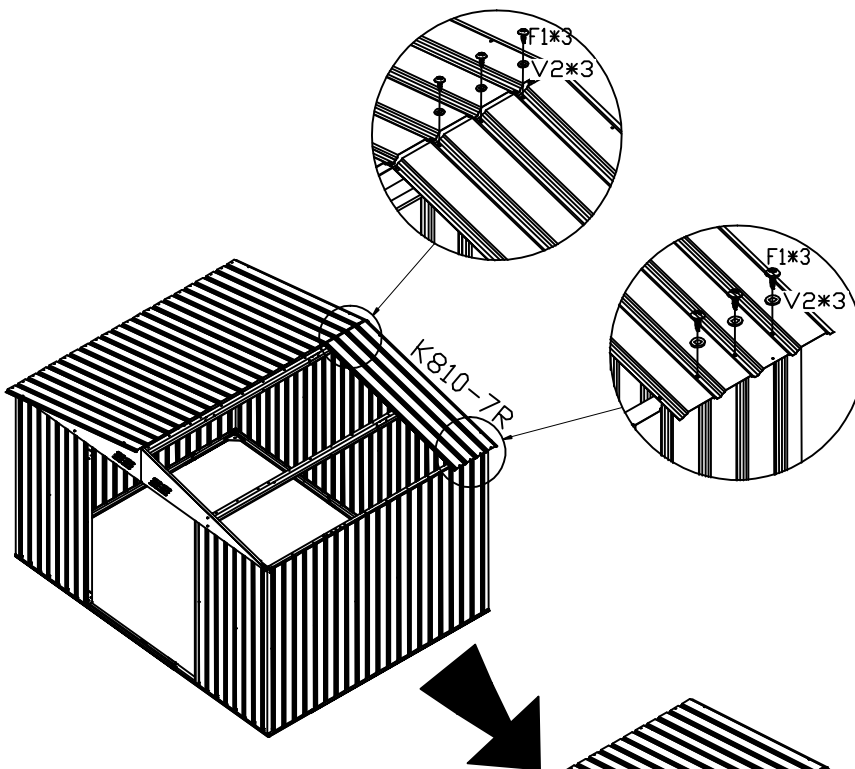
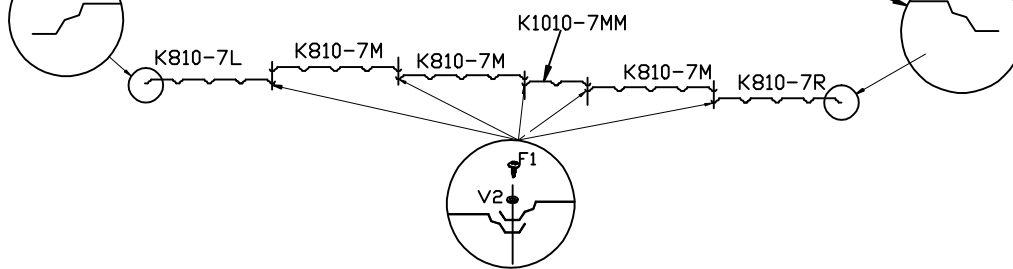
There are holes on top.









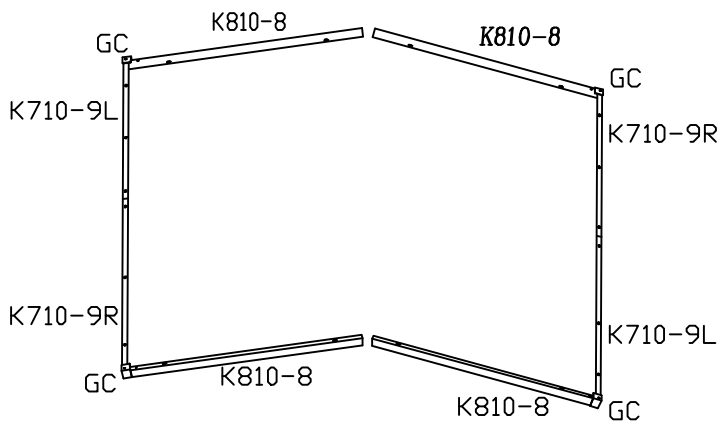








PART	NO.	QTY.
	K810-7L	1
	K810-7M	3
	K1010-7MM	1
	K810-7R	1
	F1	42
	V2	42

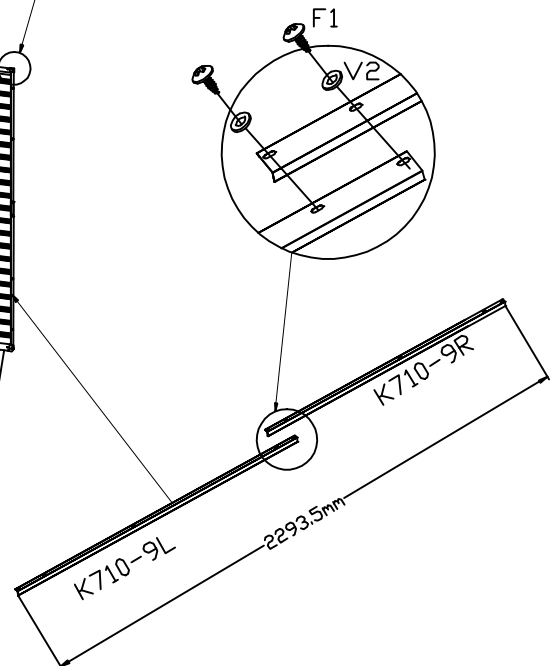
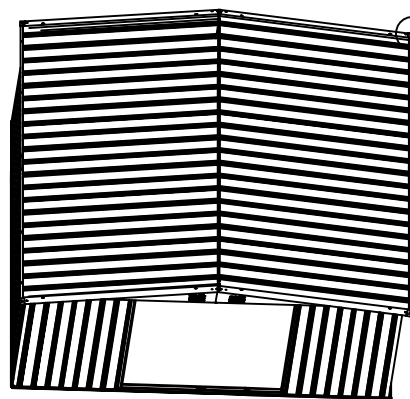
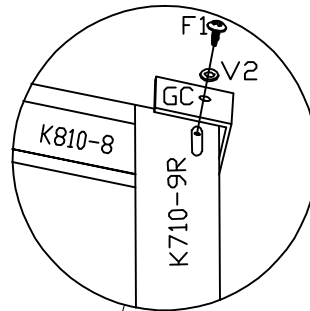
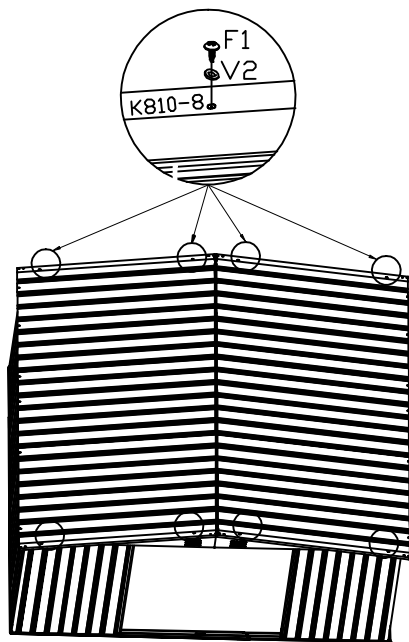
This is the installation of flat edges and K810-8, otherwise, there will be interference phenomena.







PART	NO.	QTY.
	K810-7L	1
	K810-7M	3
	K1010-7MM	1
	K810-7R	1
	F1	42
	V2	42

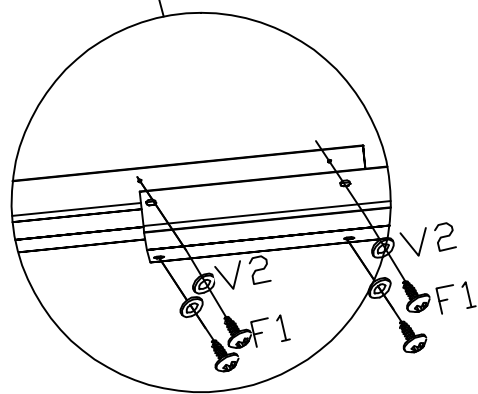
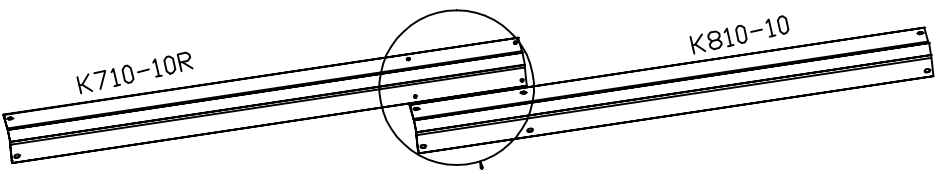
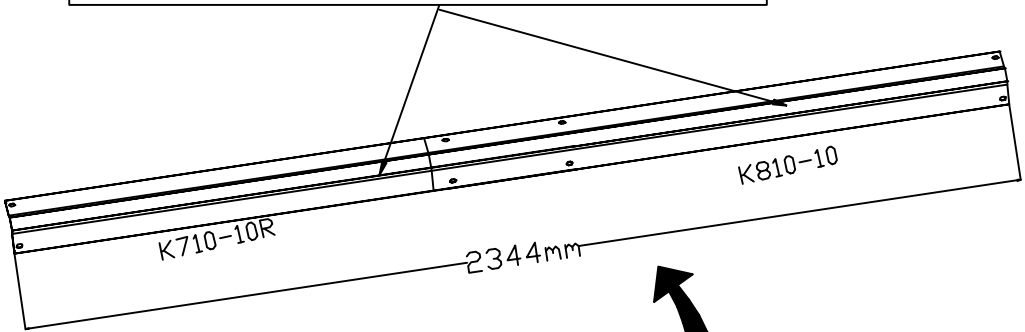


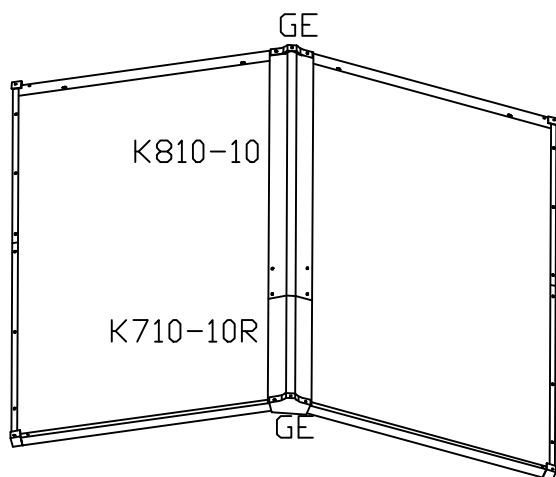
PART	NO.	QTY.
	K810-8	4
	K710-9L	2
	K710-9R	2
	GC	4
	F1	24
	V2	24






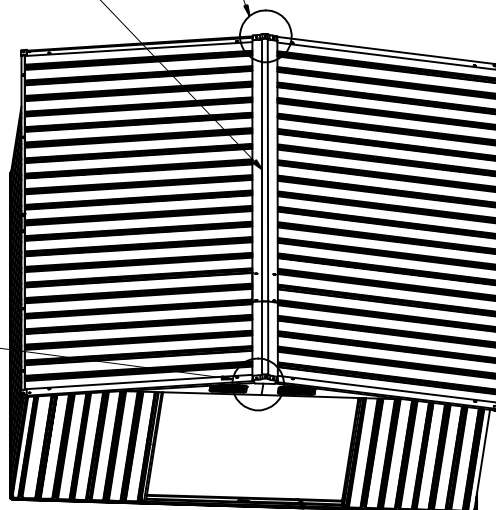
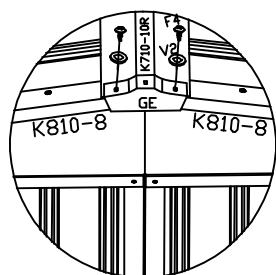
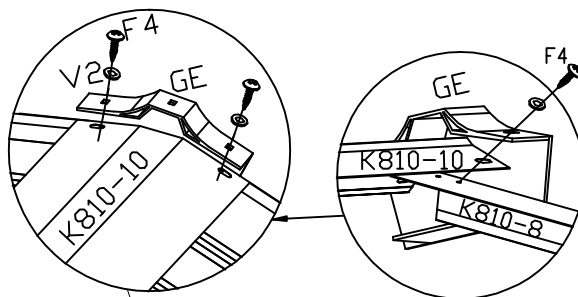
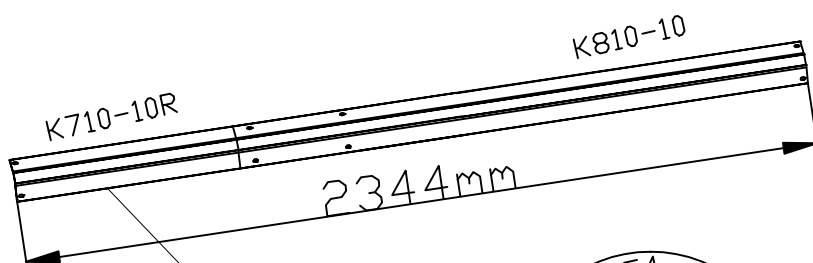
PART	NO.	QTY.
	K710-10R	1
	K810-10	1
	F1	4
	V2	4

According to the diagram, the two components of the roof rain shield should be connected with F1 self tapping screws before proceeding with subsequent installation.




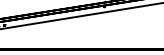





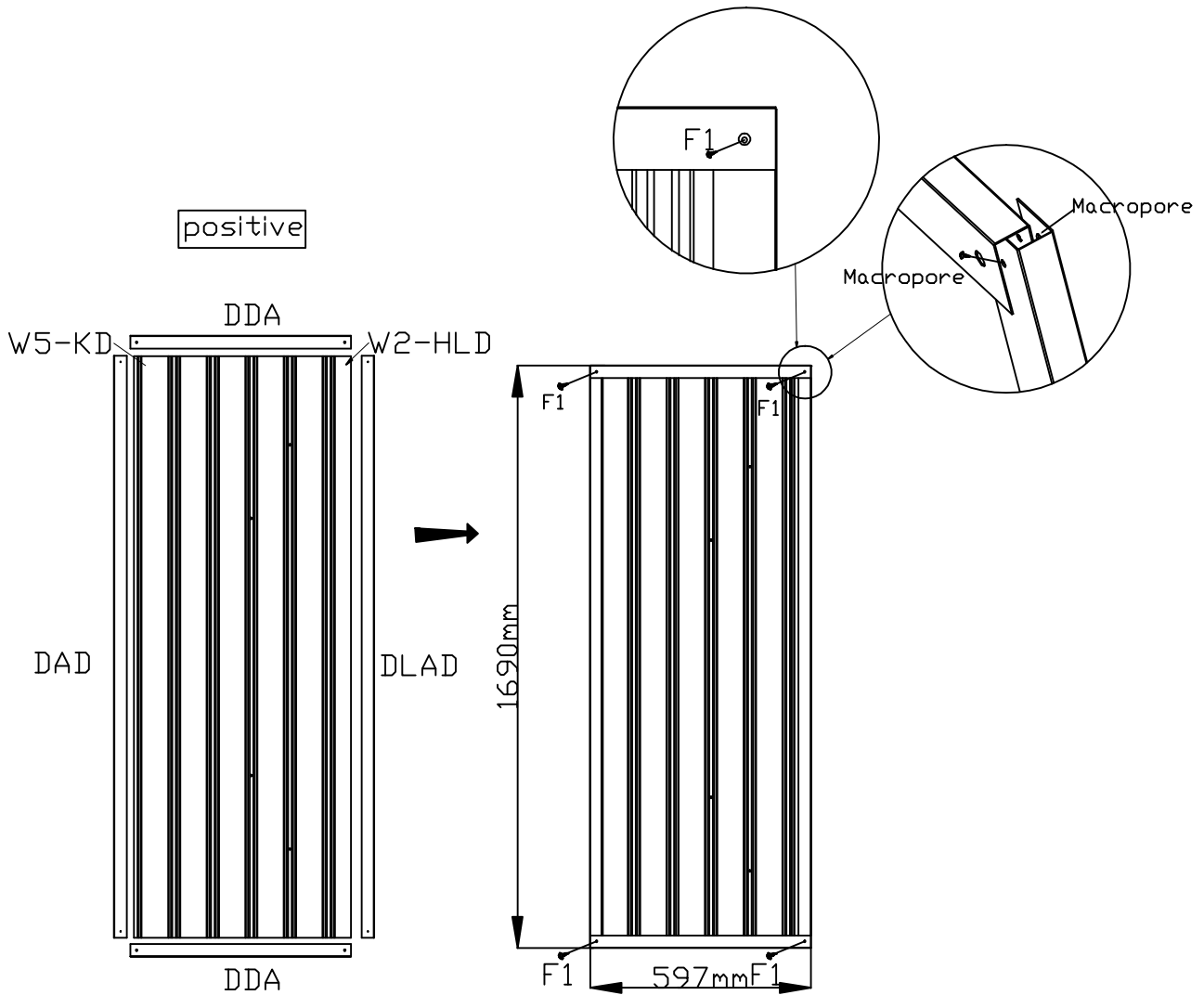
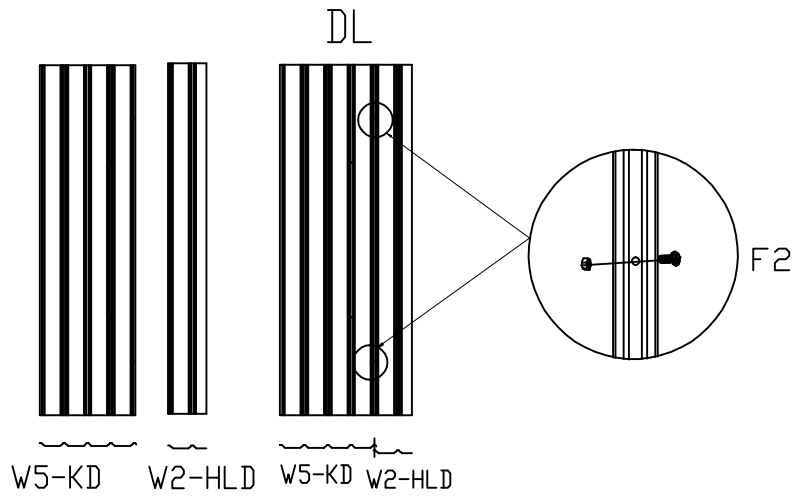


PART	NO.	QTY.
	GE	2
	F4	4
	V2	4






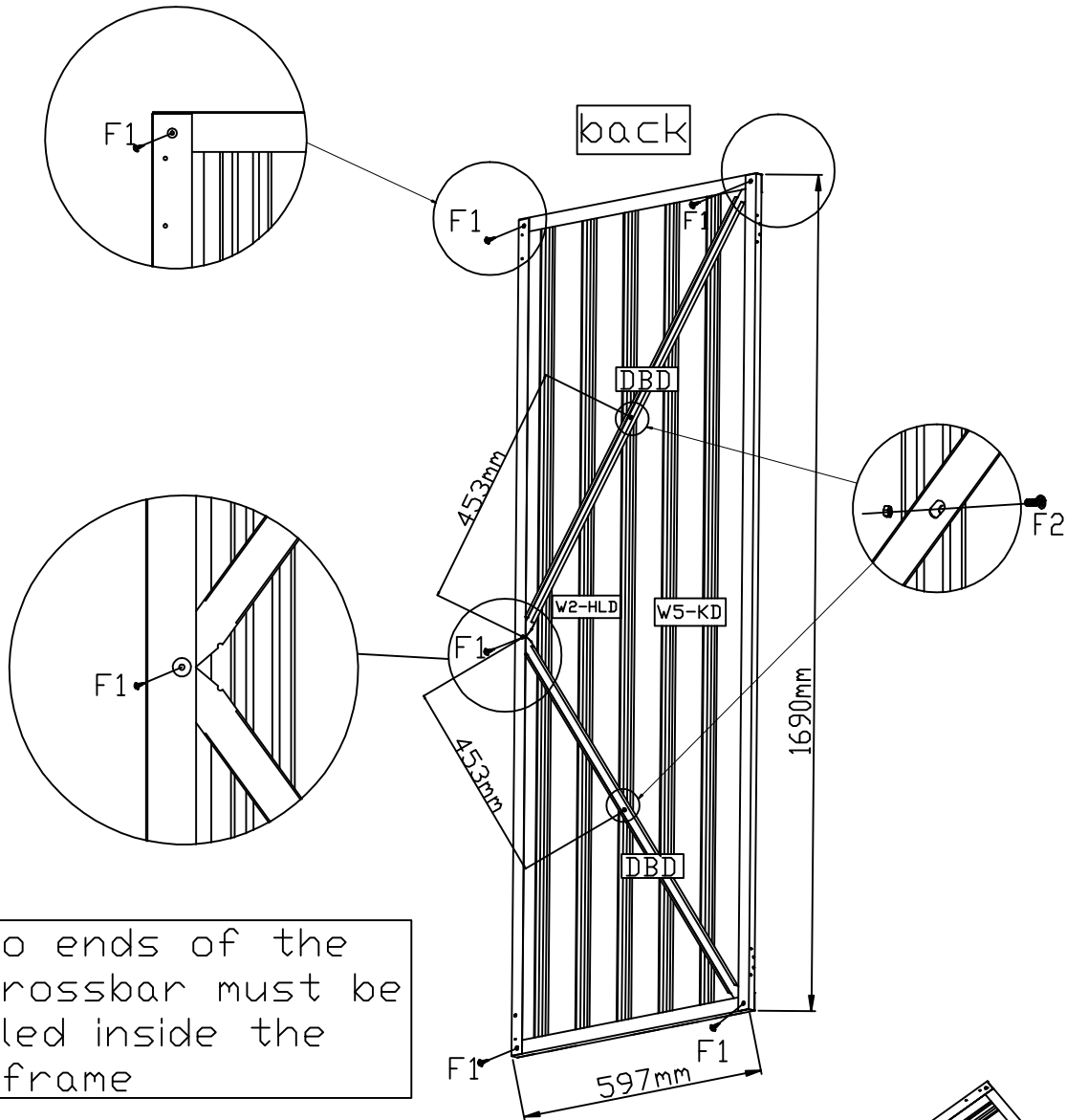
# Left door panel splicing

PART	NO.	QTY.
	W5-KD	1
	W2-HLD	1
	DAD	1
	DLAD	1
	DDA	2
	F1	4
	F2	2

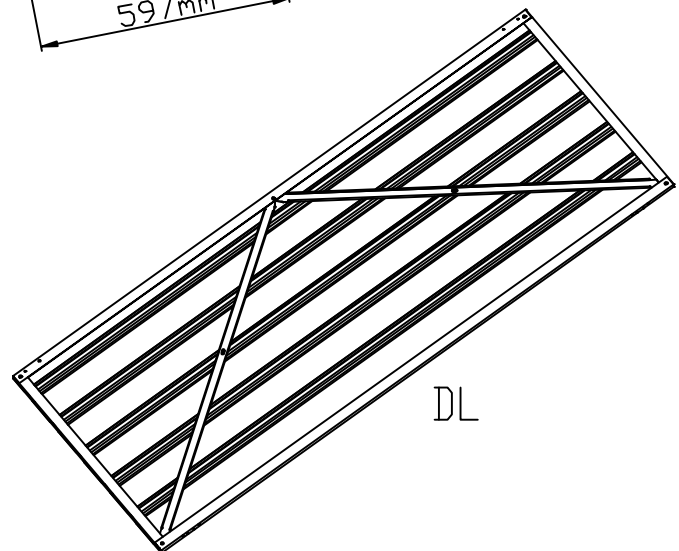


# Left door panel splicing

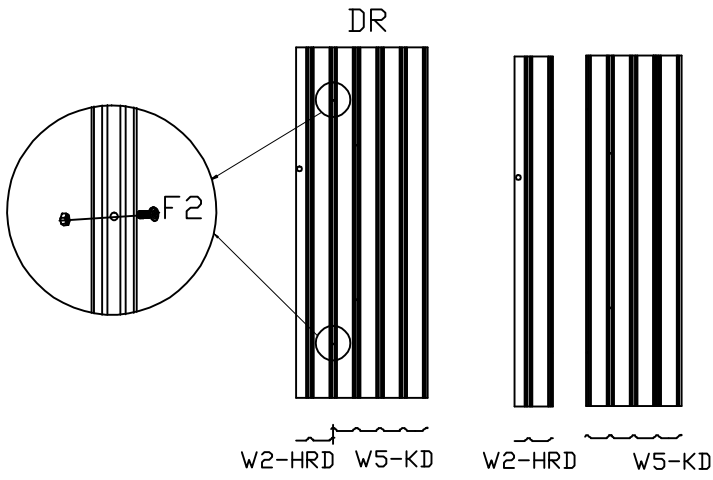
PART	NO.	QTY.
	DBD	2
	F1	5
	F2	2



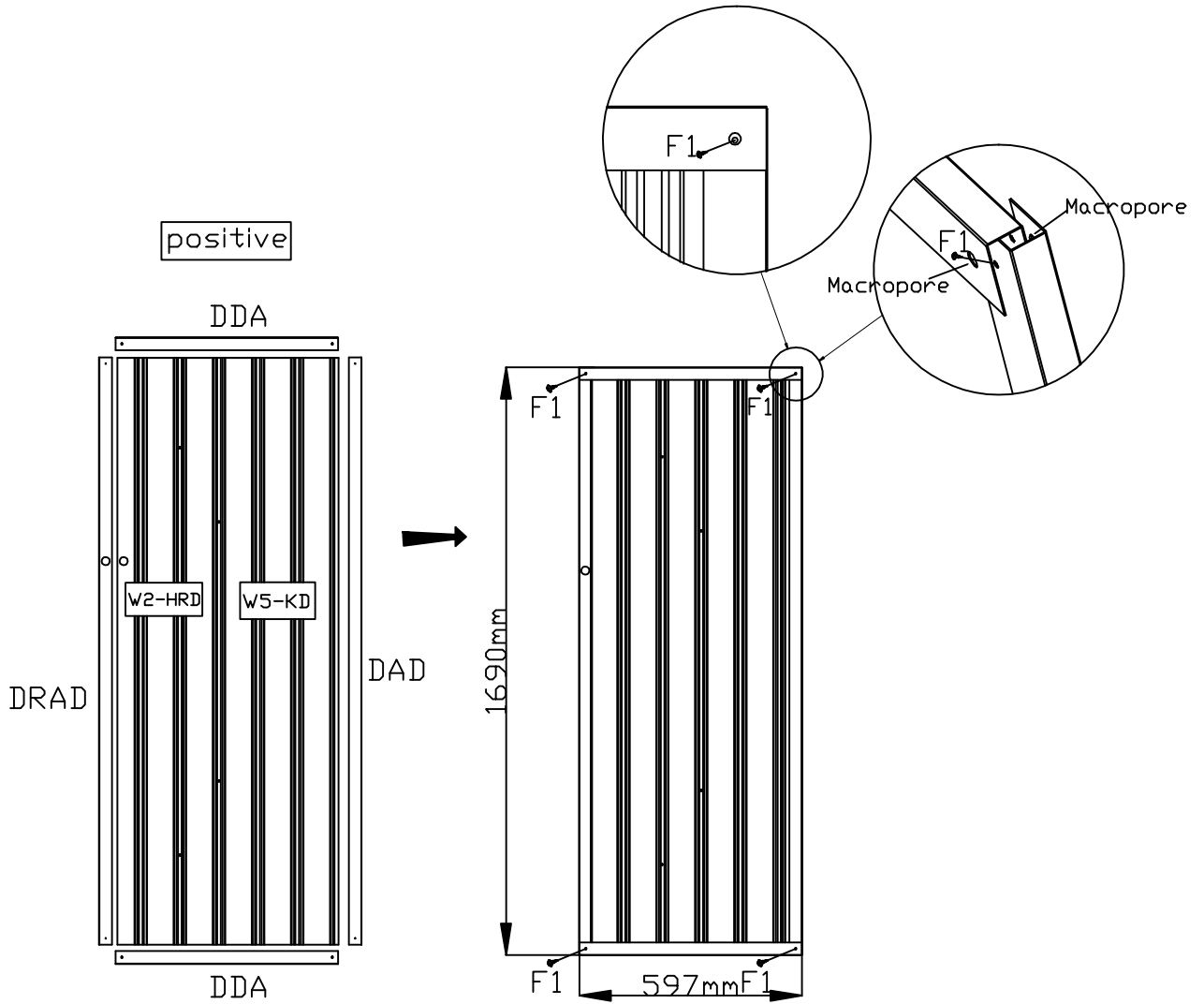
The two ends of the DBD crossbar must be assembled inside the door frame






# Right door panel splicing

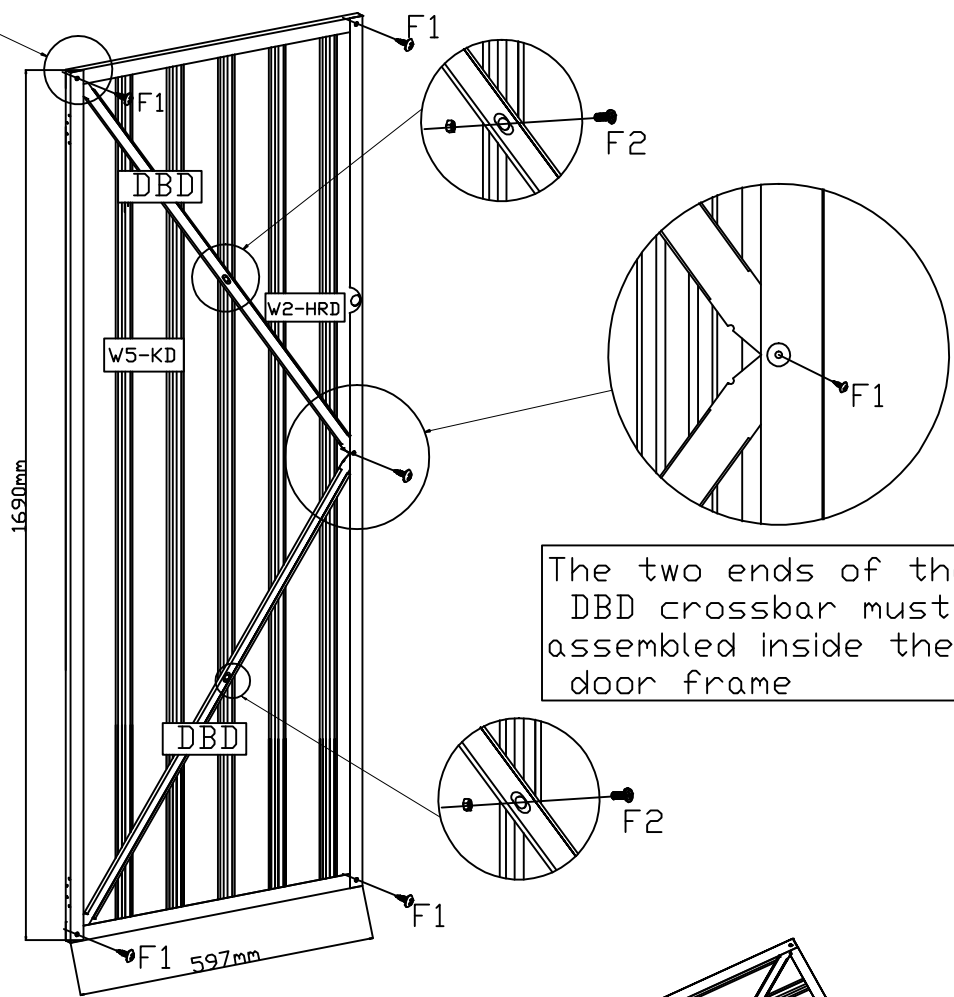
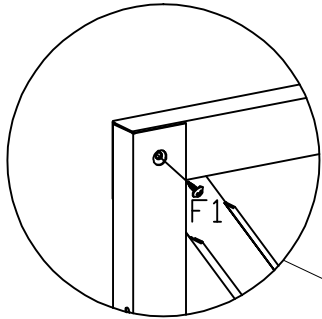


PART	NO.	QTY.
	W5-KD	1
	W2-HRD	1
	DAD	1
	DRAD	1
	DDA	2
	F1	4
	F2	2

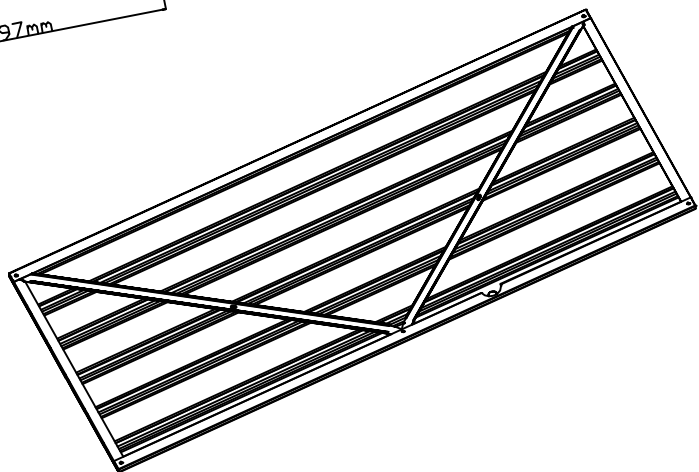







# Right door panel splicing

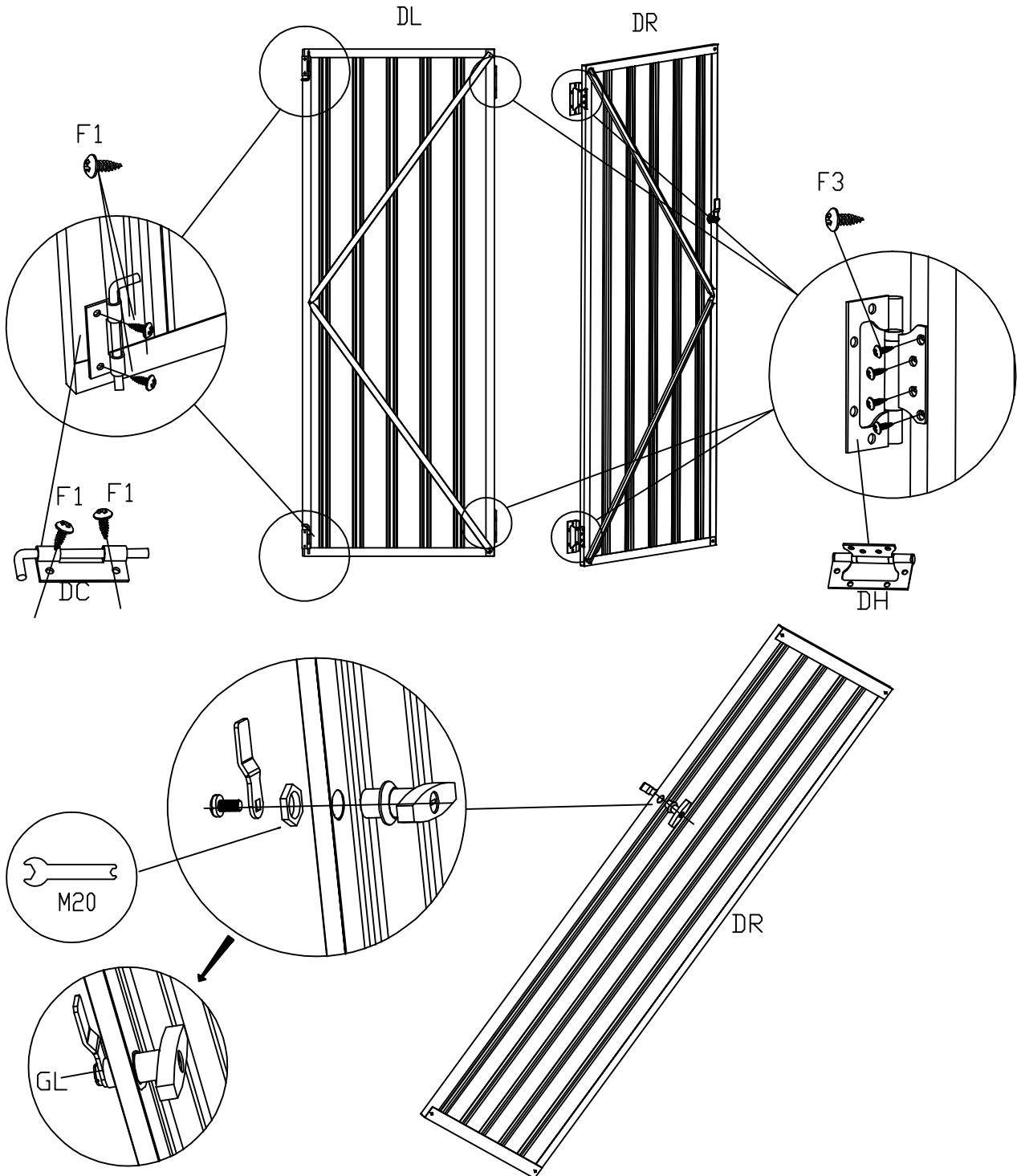
PART	NO.	QTY.
	DBD	2
	F1	5
	F2	2

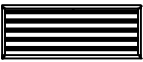
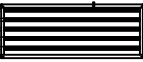



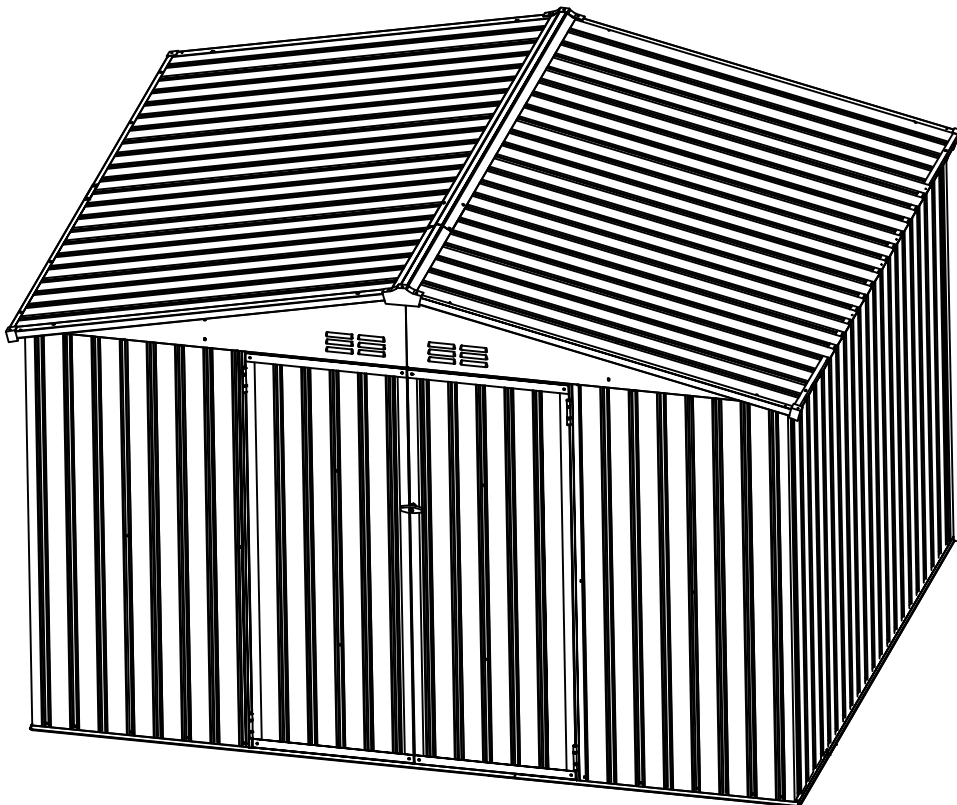
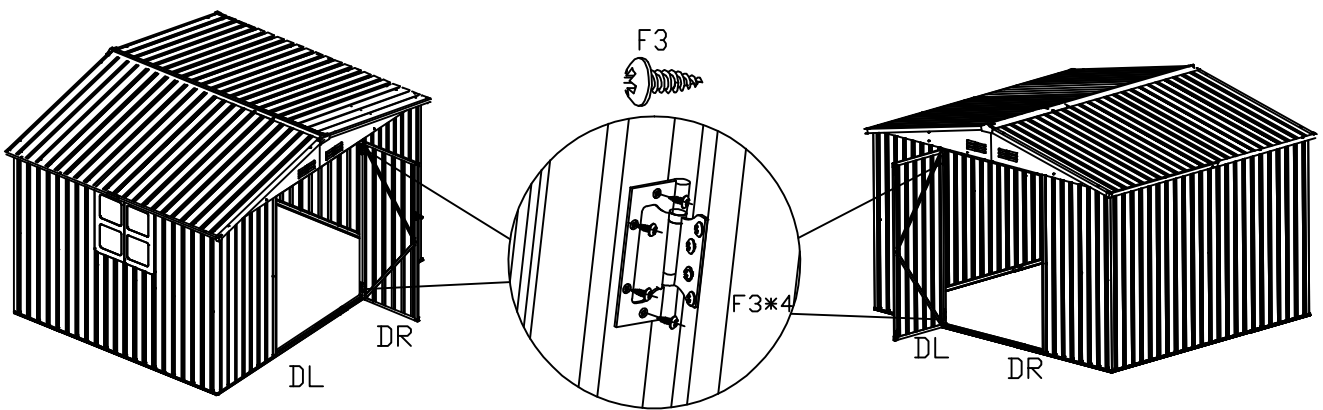
The two ends of the DBD crossbar must be assembled inside the door frame

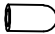


PART	NO.	QTY.
	DH	4
	DC	2
	F3	16
	GL	1
	F1	4



PART	NO.	QTY.
	DL	1
	DR	1
	F3	16



PART	NO.	QTY.
	SL	54

The exposed part of the assembly screw of the upper crossbeam support rod C4 needs to be covered with a plastic protective cap

The exposed part of the screws for assembling the upper crossbeam K710-6/K710-6R with the top cover needs to be covered with a plastic protective cap

