

ASSEMBLY INSTRUCTIONS

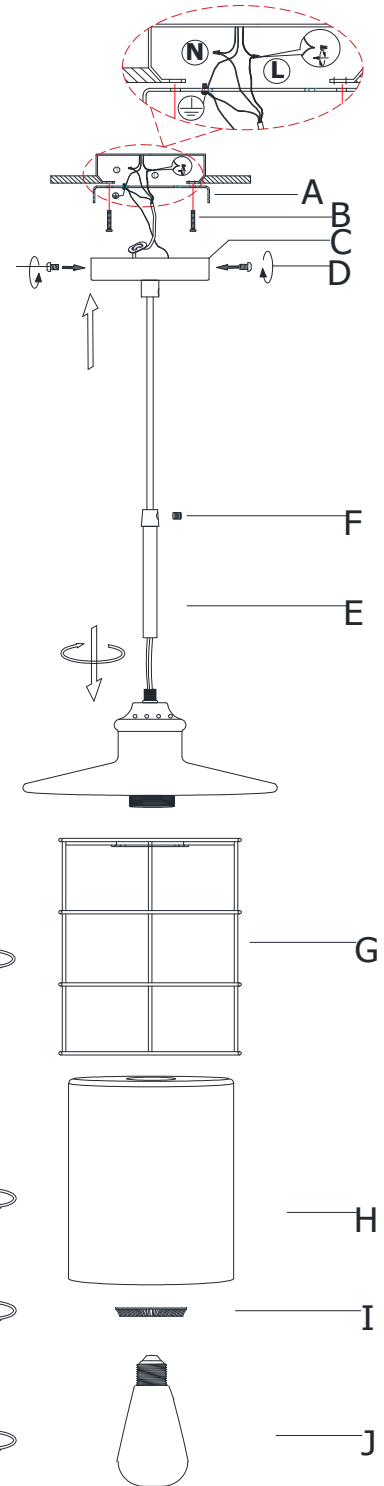
***** THIS IS A DIRECT WIRED FIXTURE. WE STRONGLY RECOMMEND INSTALLATION BY A LICENSED ELECTRICIAN.**

***** TO REDUCE THE RISK OF ELECTRIC SHOCK, SHUT OFF THE MAIN ELECTRICAL SUPPLY AT FUSE BOX/CIRCUIT BREAKER.**

***** THIS FIXTURE SHOULD ONLY BE CLEANED WITH A SOFT LINT FREE CLOTH DAMPLED WITH WATER. DO NOT USE ANY CHEMICAL OR ABUSIVE CLEANER AS THEY MAY DAMAGE THE SURFACE OF THE PRODUCTS.**

CAREFULLY UNPACK AND PLACE ALL PARTS ON A SMOOTH SURFACE.

1. PUT THE WIRE THROUGH THE CANOPY (C) AND MOUNTING PLATE (A)
2. CONNECT THE GREEN GROUND WIRE "⎓" TO THE SUPPLY WIRE, CATHODE WIRE "N" IN WHITE TO THE SUPPLY WIRE, ANODE WIRE "L" IN BLACK TO THE SUPPLY WIRE IN THE JUNCTION BOX AS ILLUSTRATED WITH WIRE NUTS.
3. AFFIX THE MOUNTING PLATE(A) TO THE JUNCTION BOX BY SCREWS(B).
- 4 LEAVE DESIRED WIRE LENGTH OUTSIDE THE CANOPY, TUCK ADDITIONAL WIRE INSIDE THE CANOPY AND FIX IT WITH THE PLASTIC CLIP, AFFIX THE CANOPY(C) TO THE MOUNTING PLATE BY SIDE SCREW (D).
5. SCREW POLE(F) ONTO SOCKET SECTION(M), SCREW NUT(E) INTO POLE(F) TO FIX THE WIRE.
6. UNSCREW RING(I), PUT METAL SHADE (G) AND GLASS SHADE (H) ONTO THE SOCKET(K),TIGHTEN WITH RING(I) AGAIN.
- 7.INSTALL THE BULB (J).



TURN ON POWER AND ENJOY YOUR LIGHT!!!

**Use 60 Watt Max type A
BULB (Edison Bulb included)**

SAVE THESE INSTRUCTIONS FOR FUTURE REFERENCE.