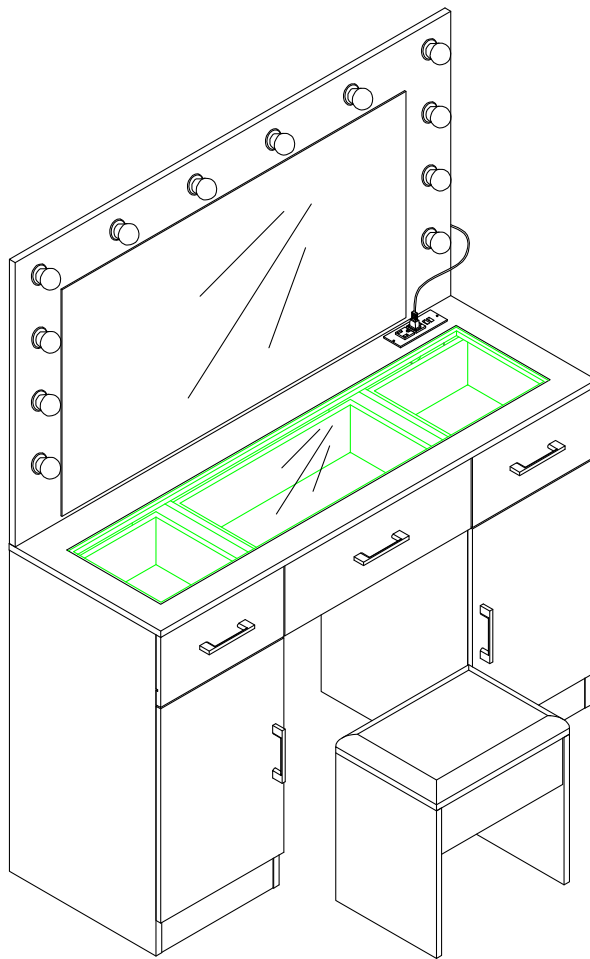
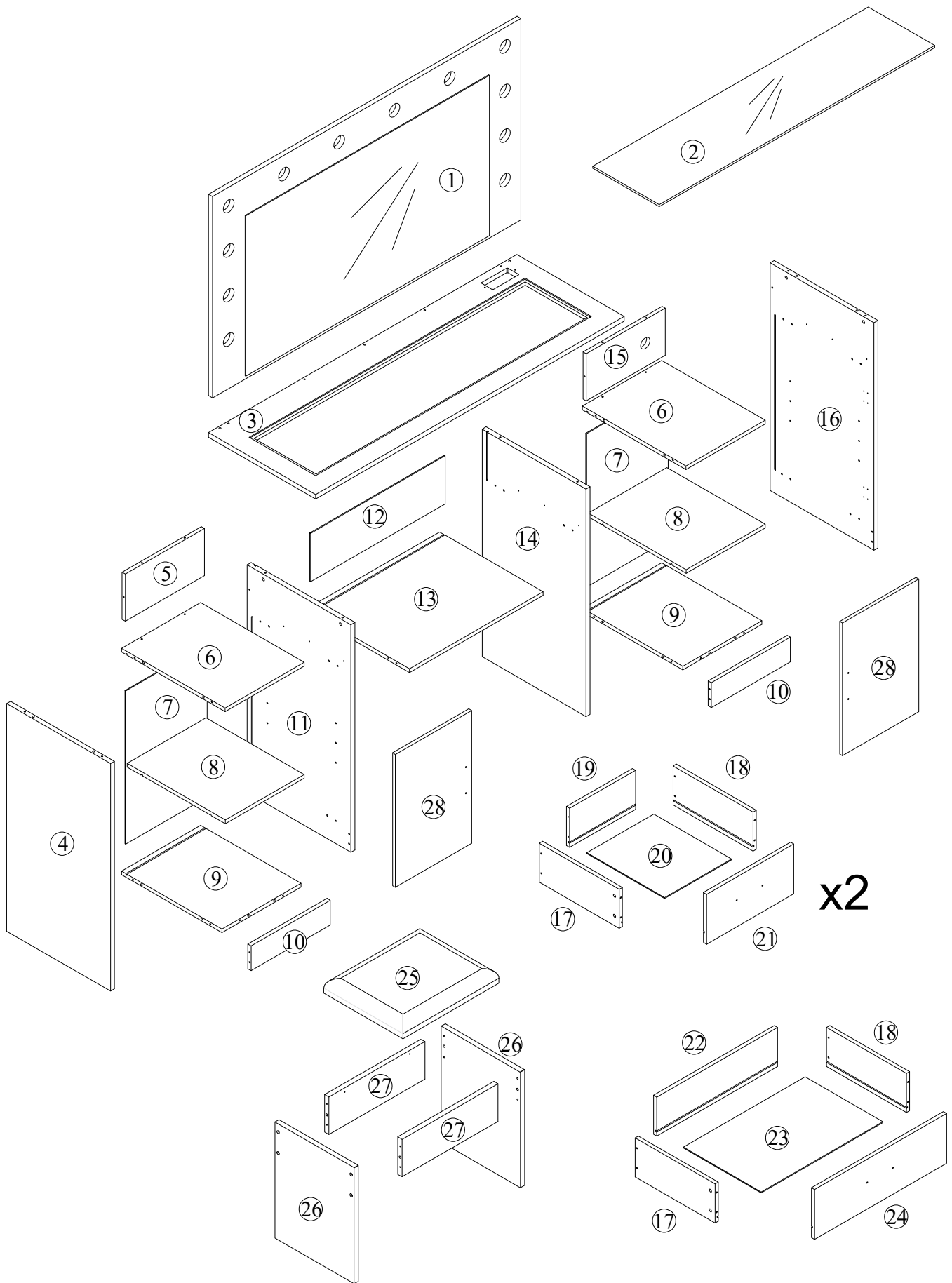
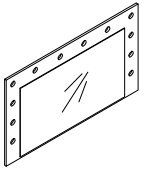
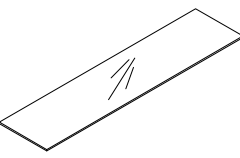
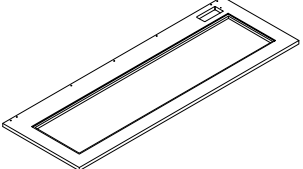

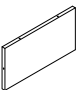
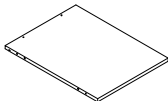
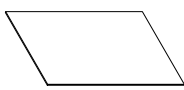
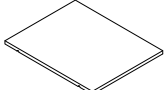
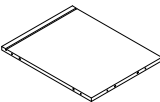
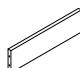
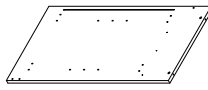

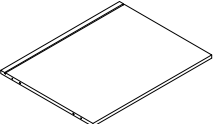

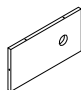
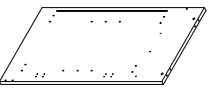
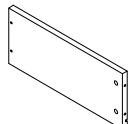
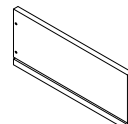
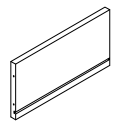
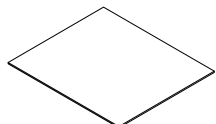
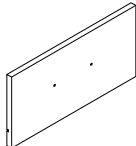
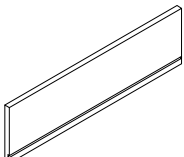
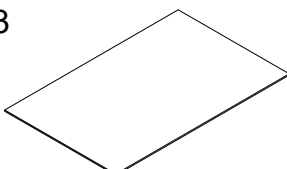
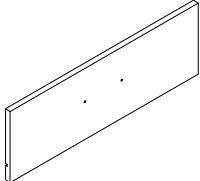
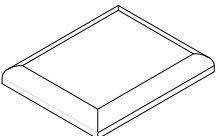
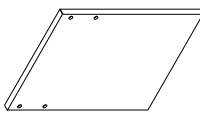
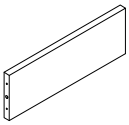
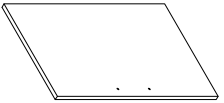
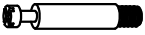



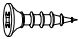


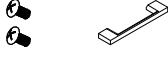

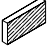








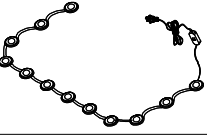

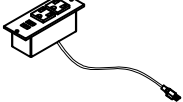
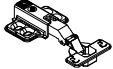


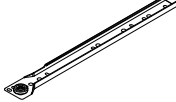
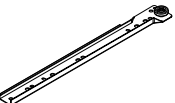
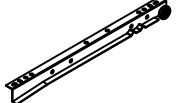
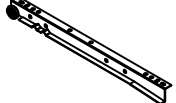


Assembly Instruction

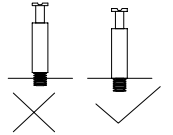
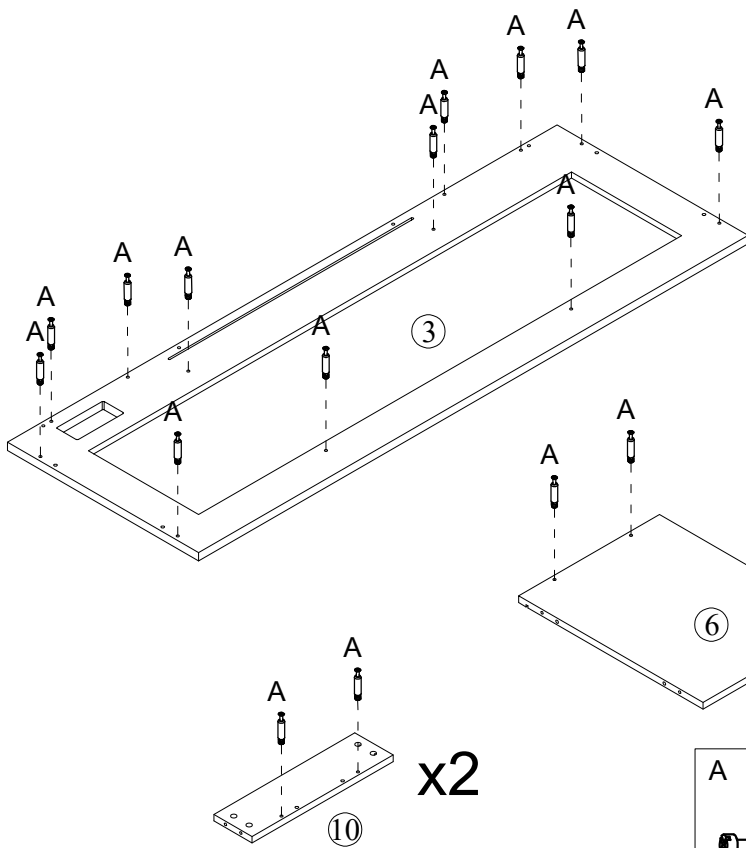




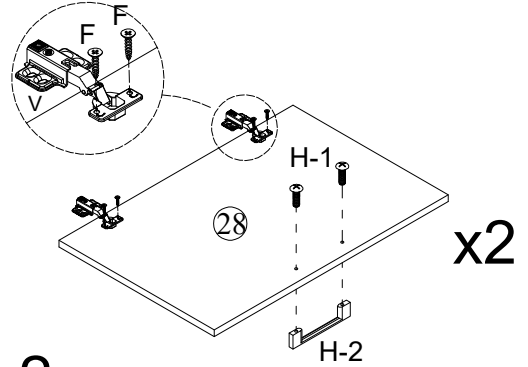
1  1149x650x15 x1	2  1028x248x6 x1	3  1149x399x15 x1	4  734x386x15 x1
5  295x152x15 x1	6  295x385x12 x2	7  498x302 x2	8  294x364x12 x2
9  295x373x12 x2	10  295x79x12 x2	11  734x386x15 x1	12  505x159 x1
13  498x385x12 x1	14  734x386x15 x1	15  295x152x15 x1	16  734x386x15 x1
17  298x125x12 x3	18  298x125x12 x3	19  246x125x12 x2	20  253x292 x2
21  324x160x12 x2	22  450x125x12 x1	23  457x292 x1	24  491x160x12 x1
25  398x297x40 x1	26  398x296x15 x2	27  367x115x15 x2	28  489x324x12 x2

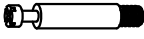
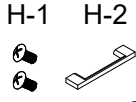

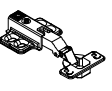
<p>A</p>  <p>Φ6X35mm</p>	<p>B</p>  <p>Φ15X10mm</p>	<p>C</p>  <p>Φ6X30mm</p>	<p>D</p>  <p>Φ4X35mm</p>	<p>E</p>  <p>Φ3X12mm</p>
<p>F</p>  <p>Φ4X12mm</p>	<p>G</p>  <p>Φ5X40mm</p>	<p>H</p> <p>H-1 H-2</p>  <p>Φ4X16mm</p>	<p>I</p>  <p>Φ6X50mm</p>	<p>J</p> 
<p>K</p>  <p>5mm</p>	<p>L</p>  <p>Φ21</p>	<p>M</p>  <p>x 4</p>	<p>N</p> <p>N-1 N-2</p>  <p>Φ3X16mm</p>	<p>O</p> <p>O-1 O-2 O-3</p>  <p>Φ4X12mm</p>
<p>P</p> <p>P-1 P-2 P-3</p>  <p>Φ4X45mm</p>	<p>Q</p>  <p>x 24</p>	<p>R</p>  <p>x 12</p>	<p>S</p>  <p>x 1</p>	<p>T</p>  <p>Φ3.5X16mm</p>
<p>U</p>  <p>x 1</p>	<p>V</p>  <p>x 4</p>	<p>W</p>  <p>x 2</p>	<p>X</p>  <p>x 2</p>	<p>CL</p>  <p>L300</p>
<p>CR</p>  <p>L300</p>	<p>DL</p>  <p>L300</p>	<p>DR</p>  <p>L300</p>		

1

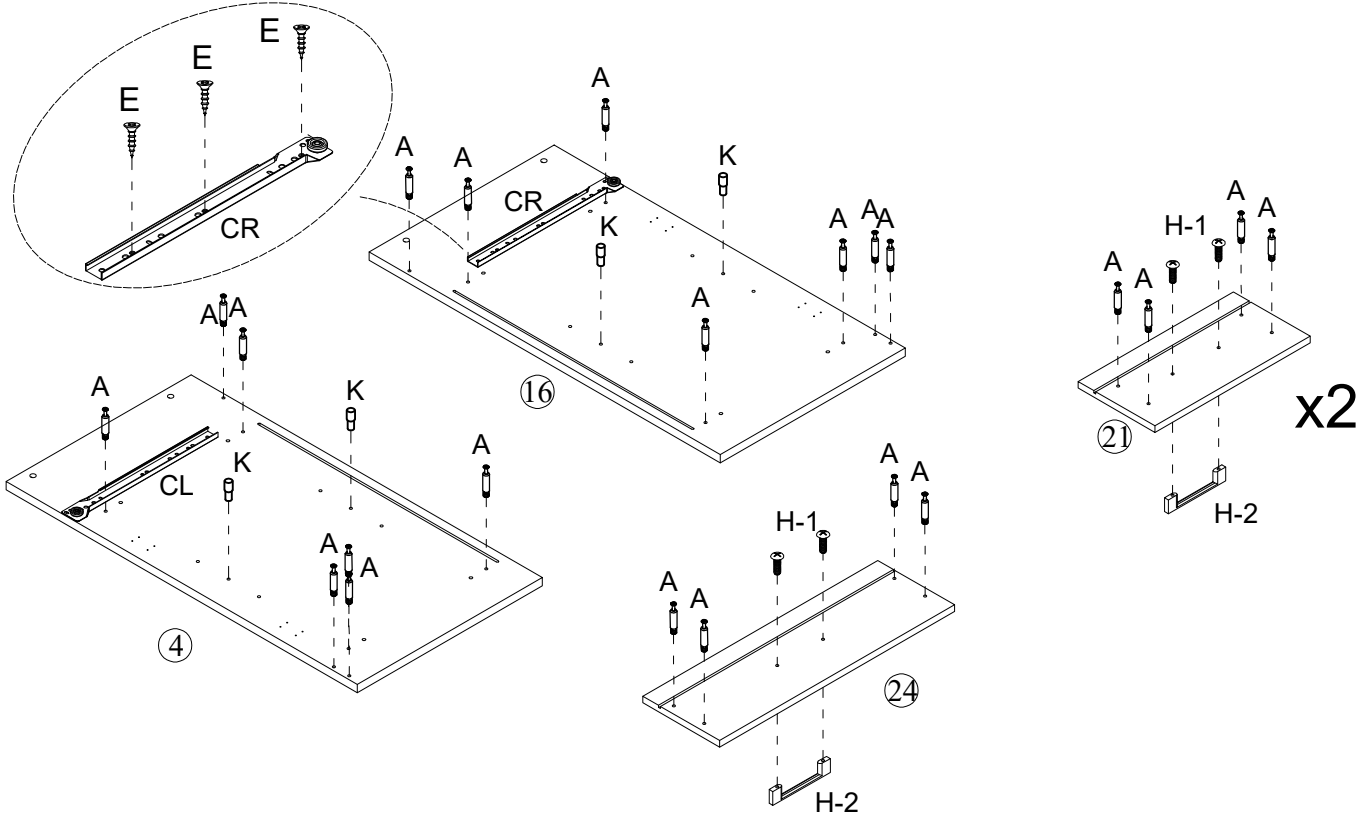


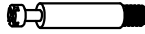
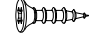


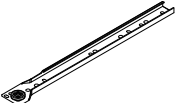
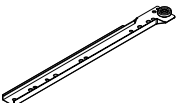
When turning the screw, please be slowly. First, use your hand to align the screw, position it in the screw hole, and then tighten it.



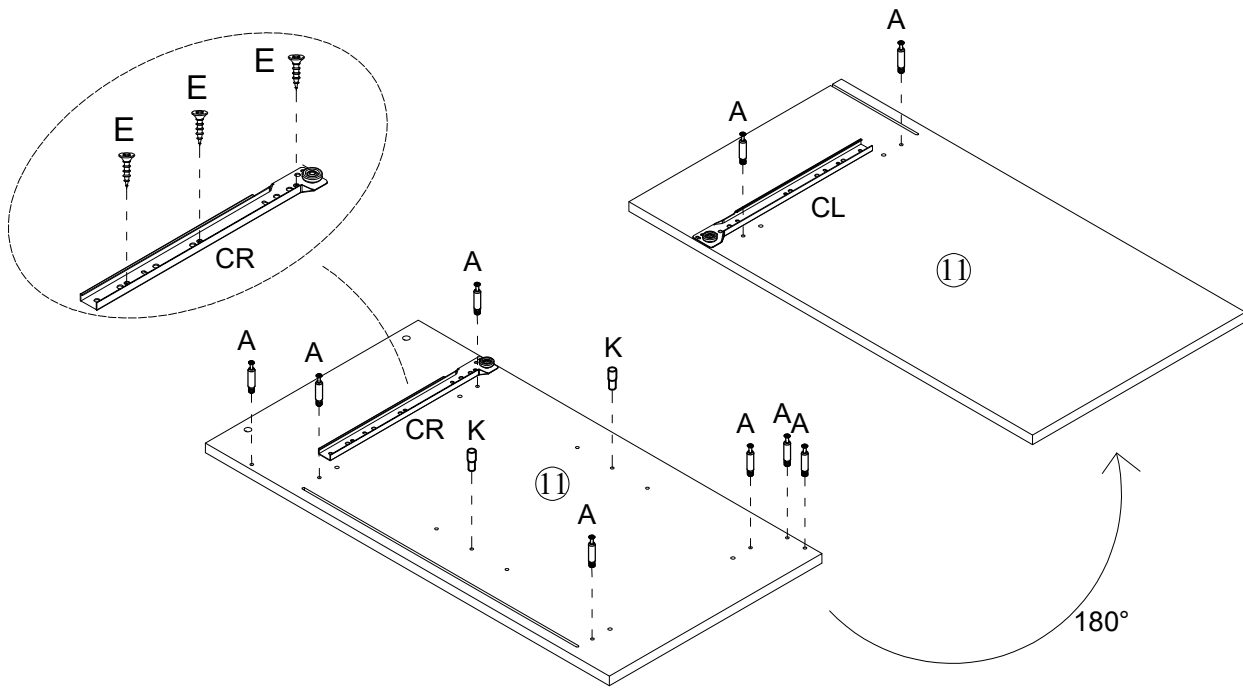
<p>A</p>  <p>x 20</p>	<p>H</p> <p>H-1 H-2</p>  <p>x 2</p>	<p>F</p>  <p>x 8</p>	<p>V</p>  <p>x 4</p>
--	---	--	--

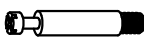



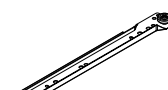
2



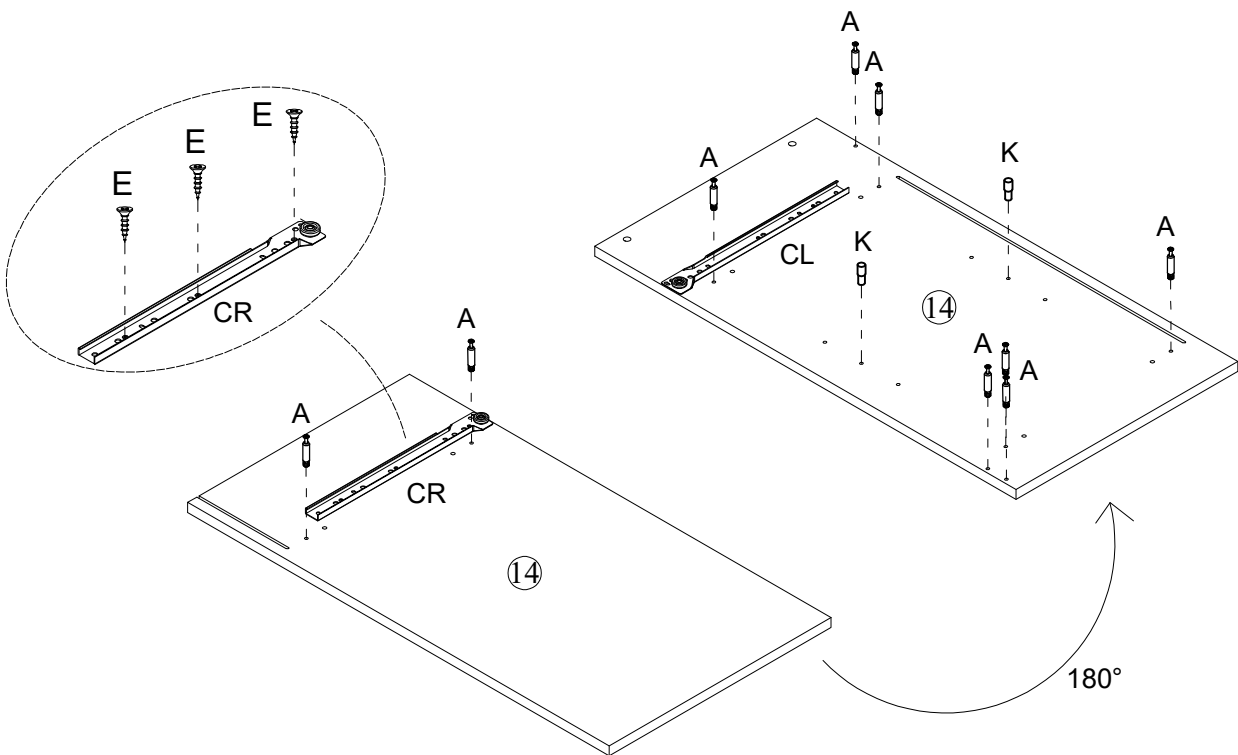
<p>A</p>  <p>x 26</p>	<p>E</p>  <p>x 6</p>	<p>H</p> <p>H-1 H-2</p>  <p>x 3</p>	<p>K</p>  <p>x 4</p>	<p>CL</p>  <p>x 1</p>	<p>CR</p>  <p>x 1</p>
--	---	--	---	--	--

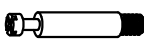


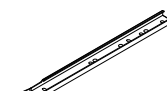
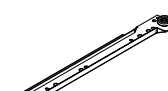
3



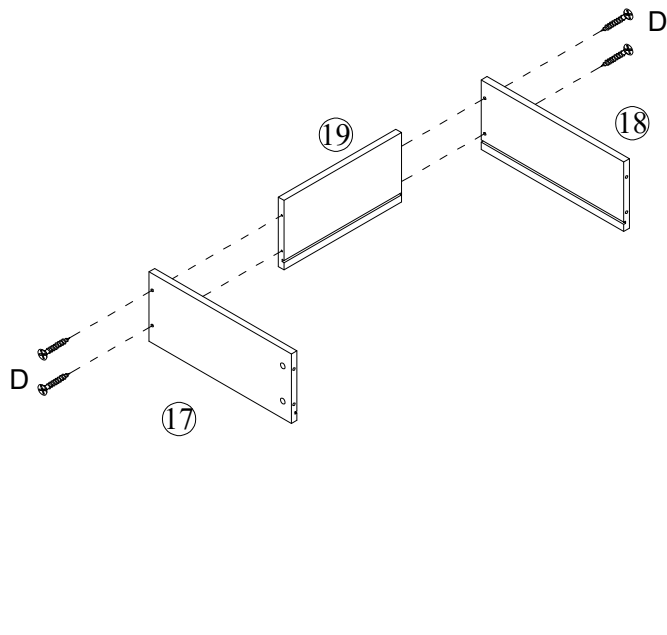
<p>A</p>  <p>x 9</p>	<p>E</p>  <p>x 6</p>	<p>K</p>  <p>x 2</p>	<p>CL</p>  <p>x 1</p>	<p>CR</p>  <p>x 1</p>
--	--	--	---	---

4

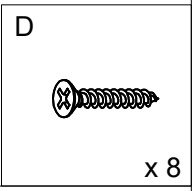


<p>A</p>  <p>x 9</p>	<p>E</p>  <p>x 6</p>	<p>K</p>  <p>x 2</p>	<p>CL</p>  <p>x 1</p>	<p>CR</p>  <p>x 1</p>
---	---	---	--	--

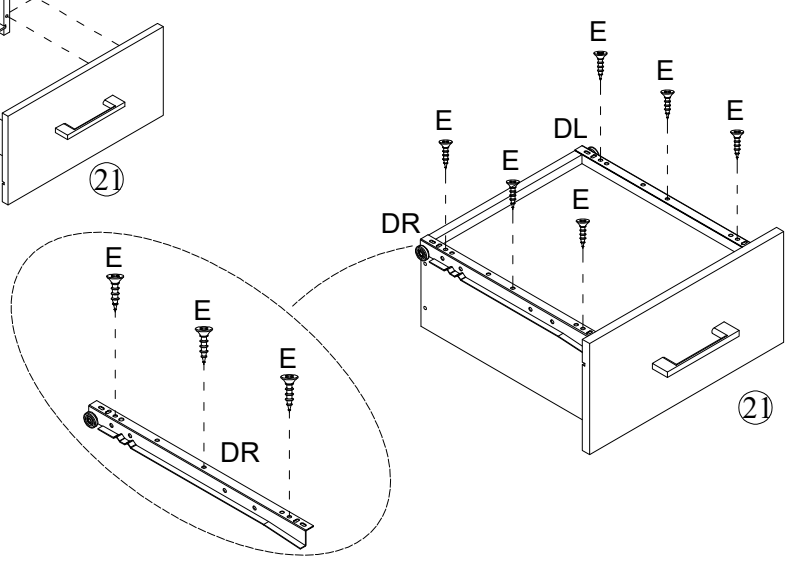
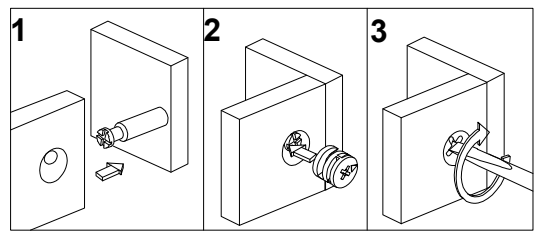
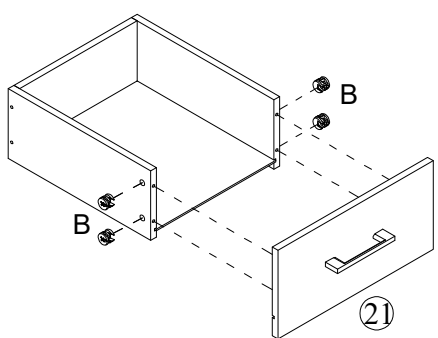
5



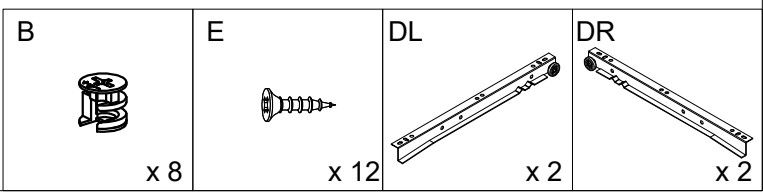
x2



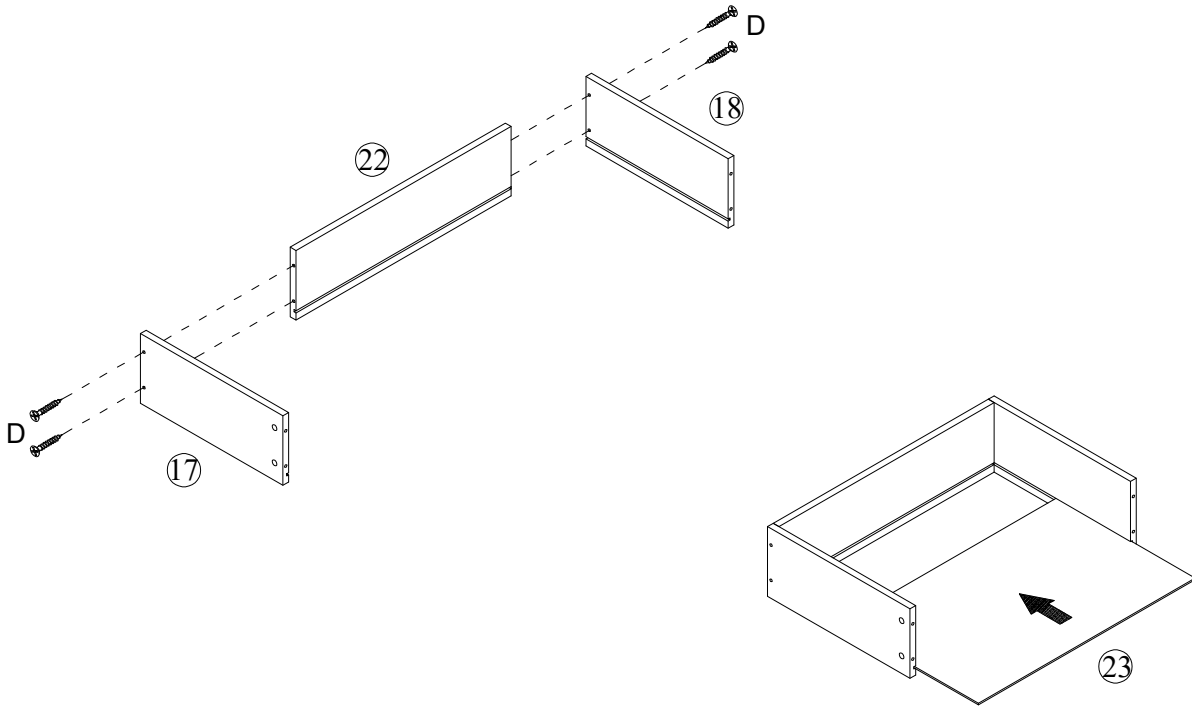
6



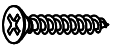
x2



7

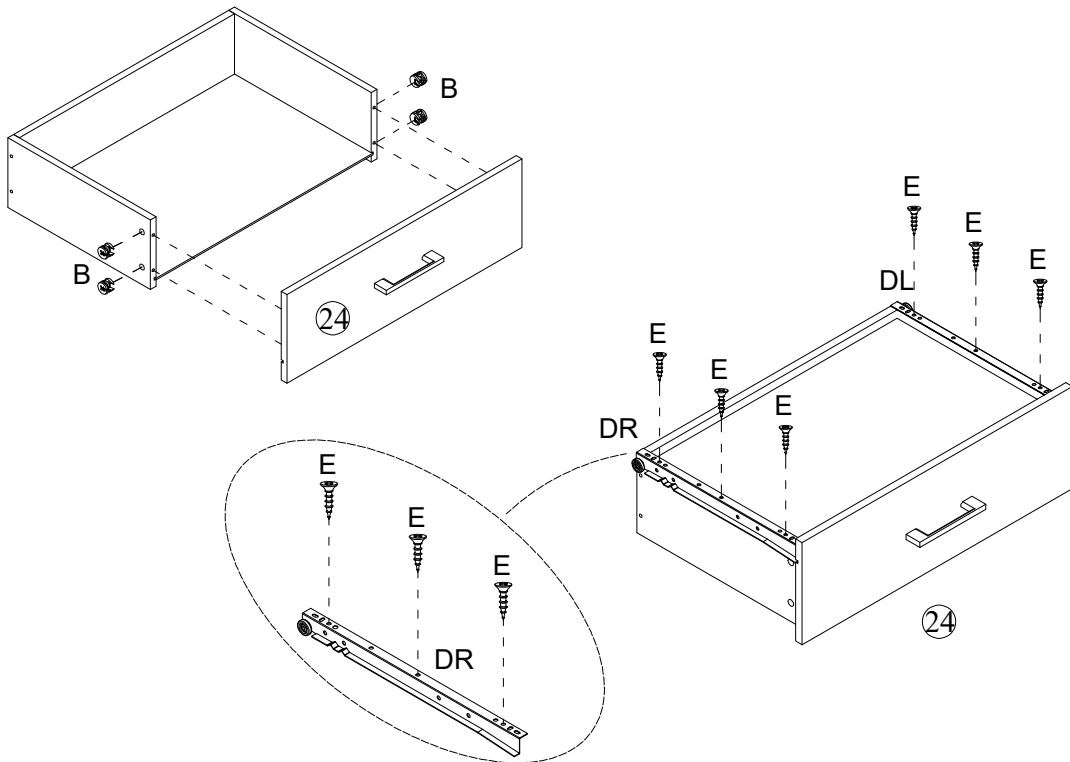


D



x 4

8



B



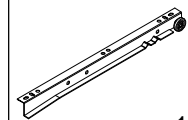
x 4

E



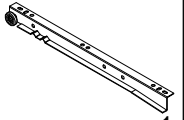
x 6

DL



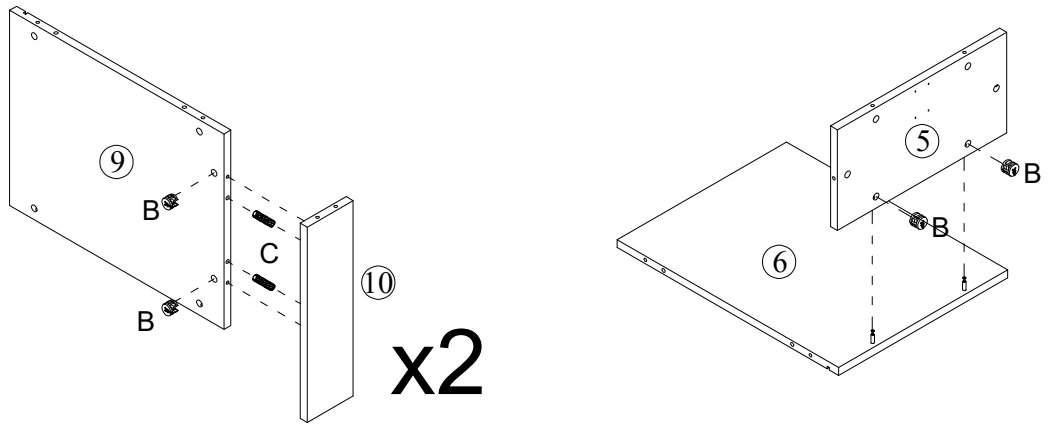
x 1



DR



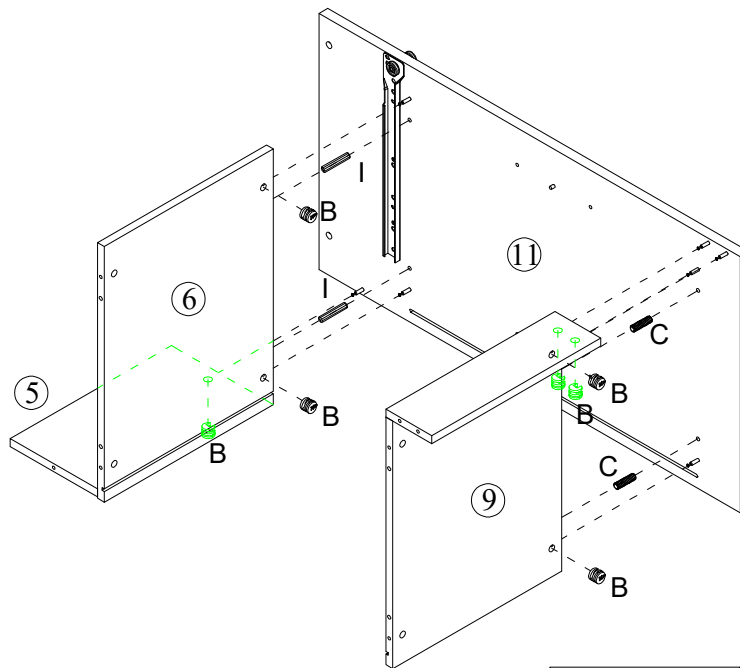
x 1


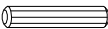
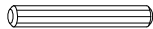
9



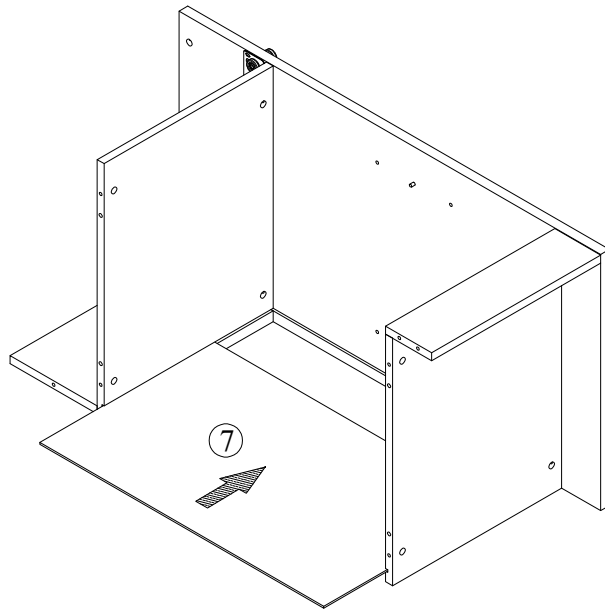
B	C
	
x 6	x 4

10

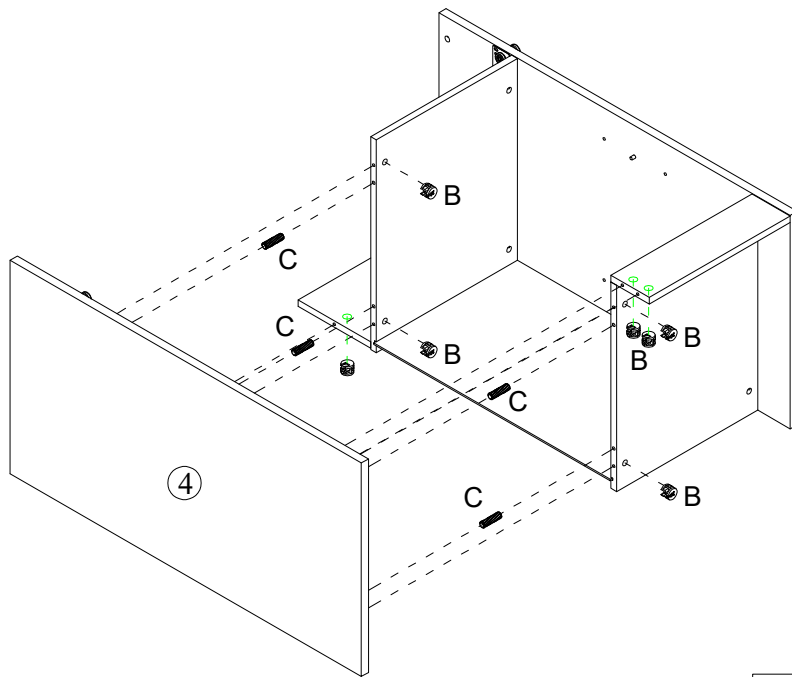




B	C	I
		
x 7	x 2	x 2

11

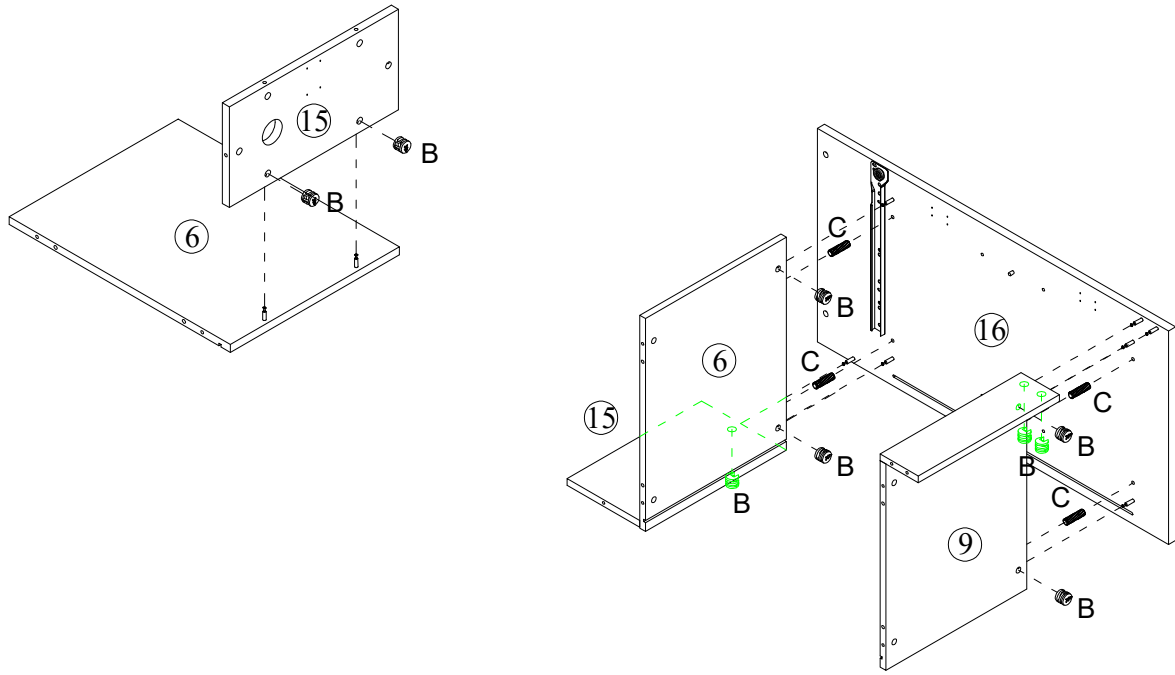




12



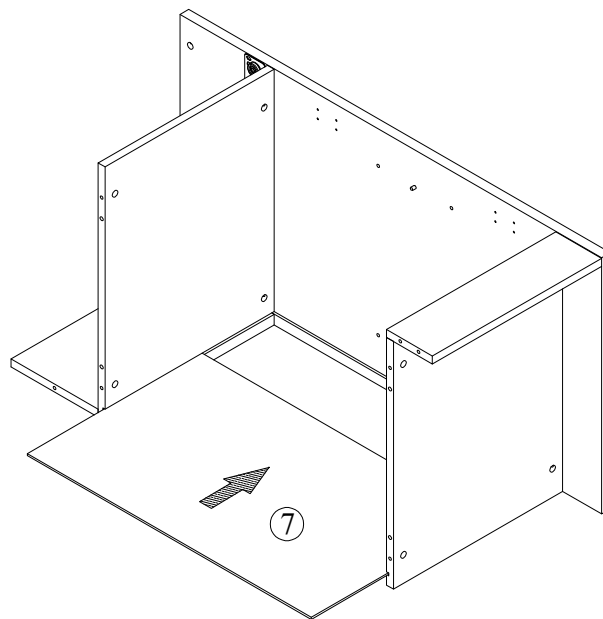
<p>B</p>  <p>x 7</p>	<p>C</p>  <p>x 4</p>
---	---

13

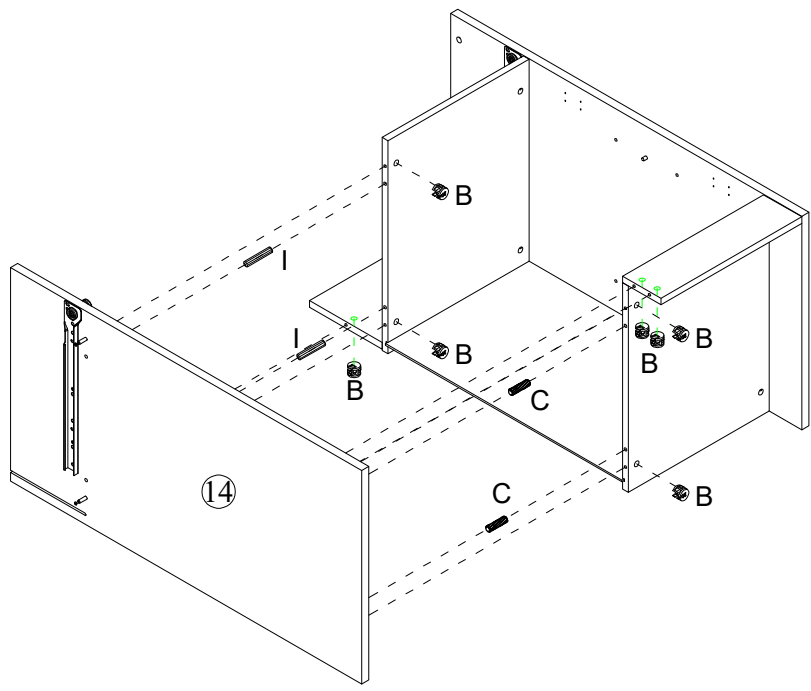





B 	C 
x 9	x 4

14

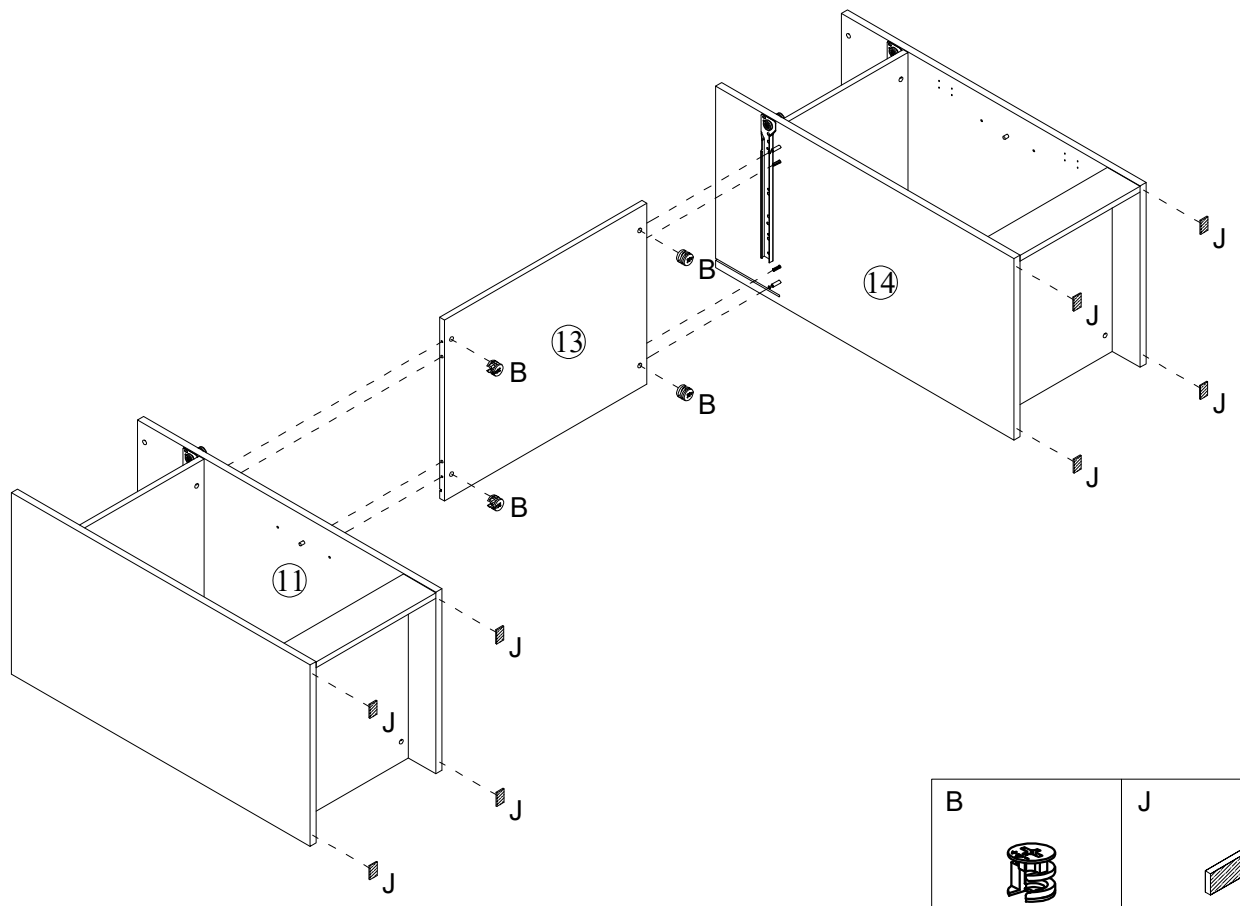




15



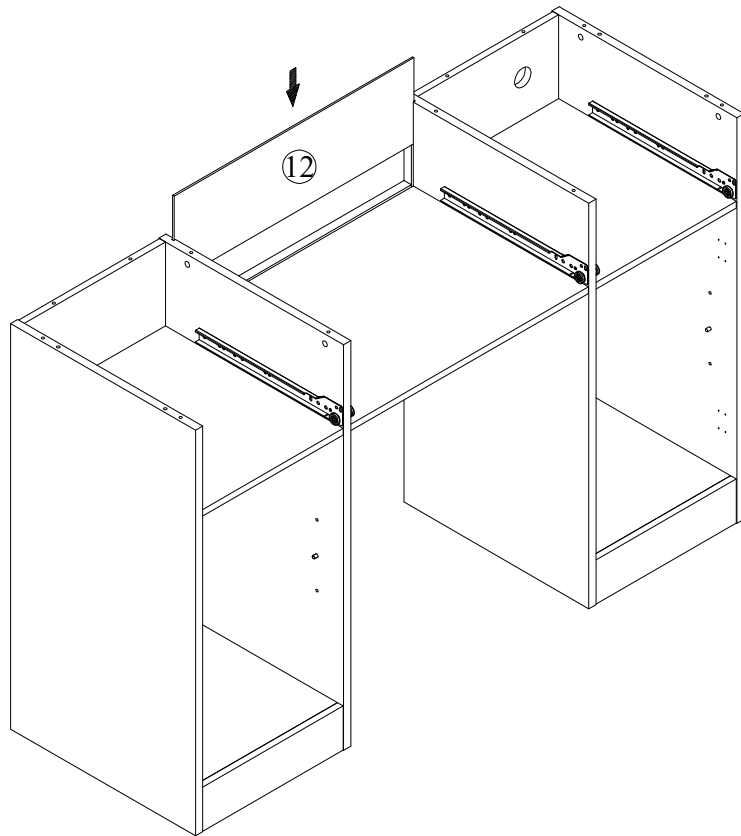
B	C	I
		
x 7	x 2	x 2

16

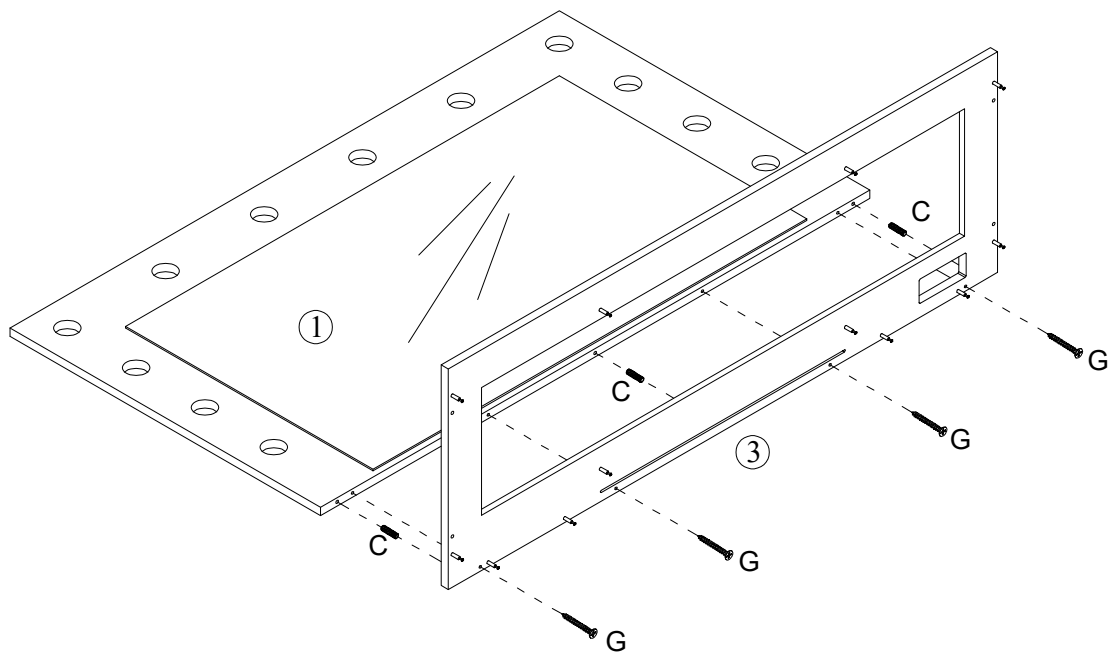



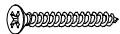
B	J
	
x 4	x 8

17

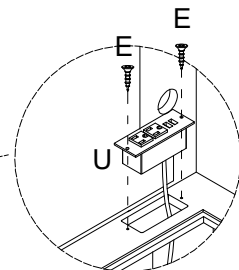
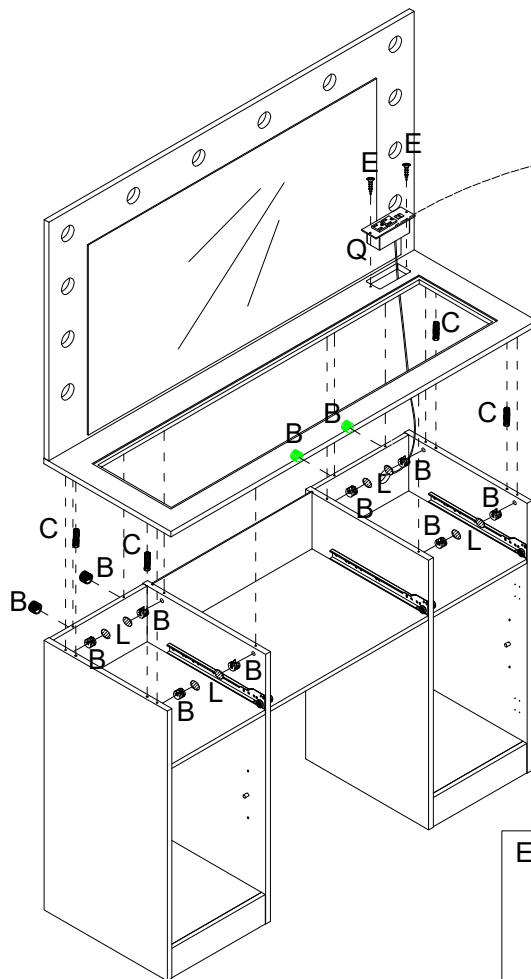



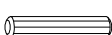



18



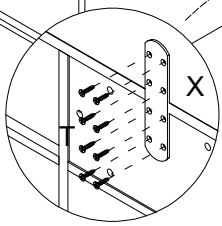
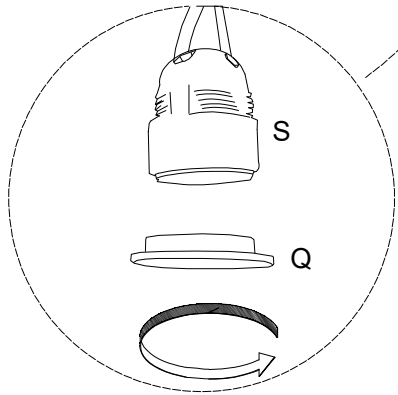
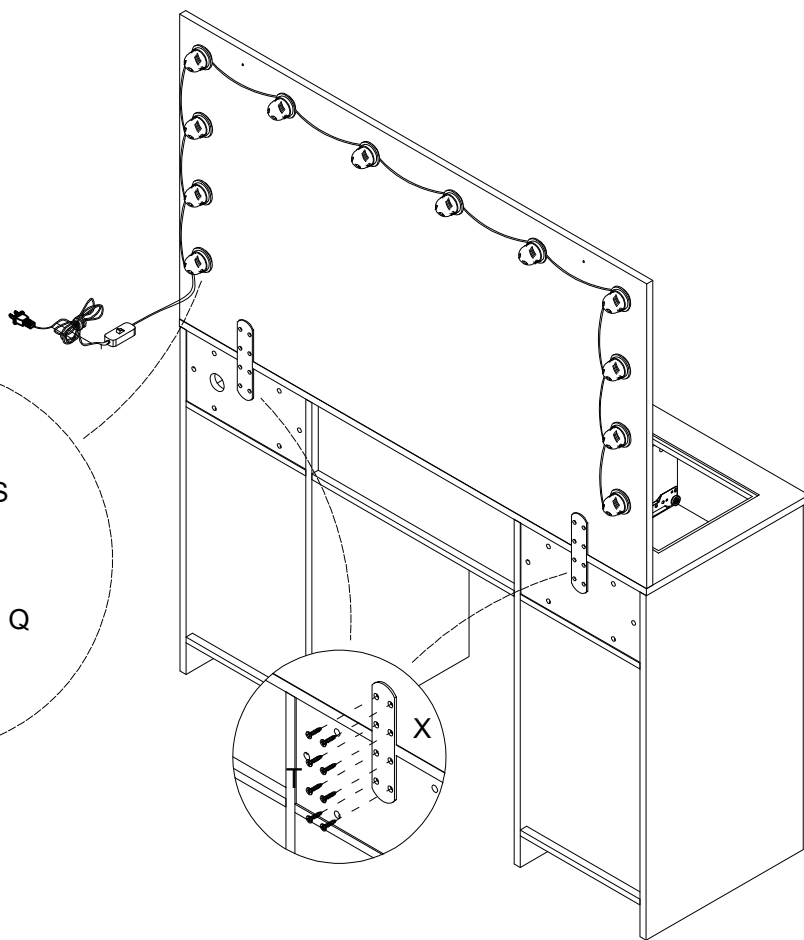
C	G
	
x 3	x 4





19



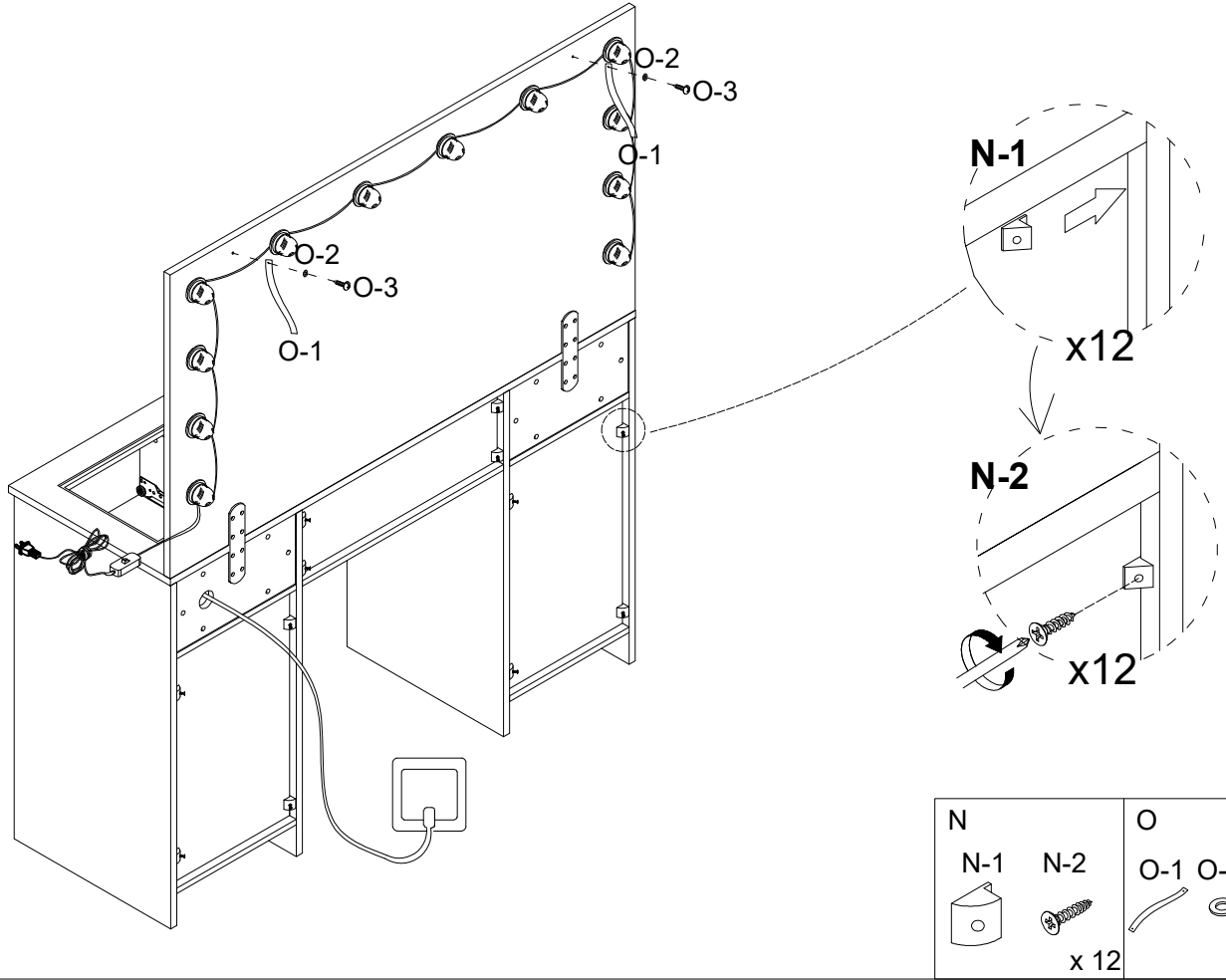
<p>B</p>  <p>x 12</p>	<p>C</p>  <p>x 4</p>
<p>E</p>  <p>x 2</p>	<p>L</p>  <p>x 8</p>
<p>U</p>  <p>x 1</p>	

20

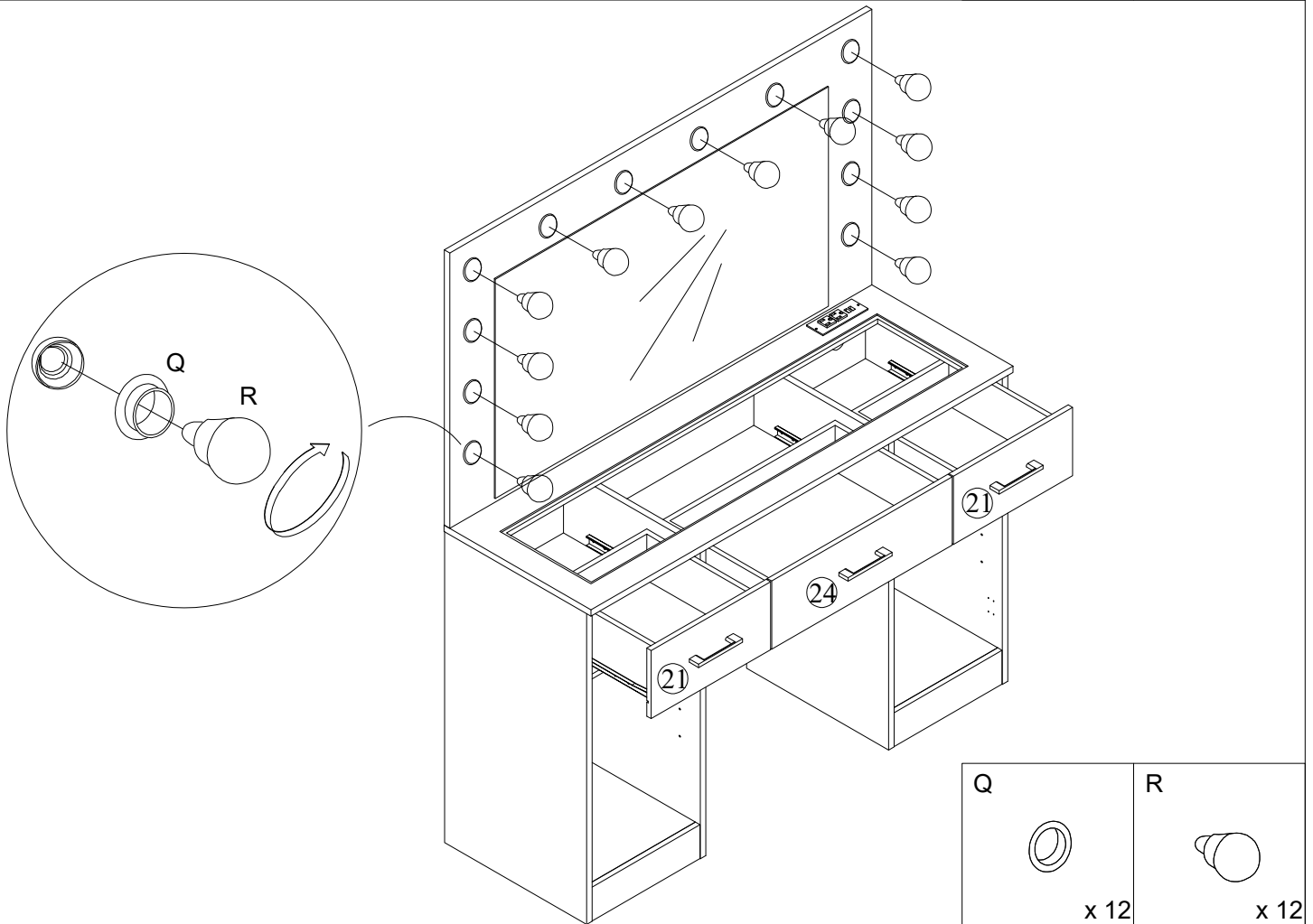


<p>T</p>  <p>x 16</p>	<p>Q</p>  <p>x 12</p>
<p>S</p>  <p>x 1</p>	<p>X</p>  <p>x 2</p>

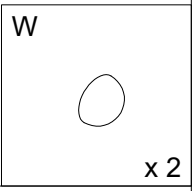
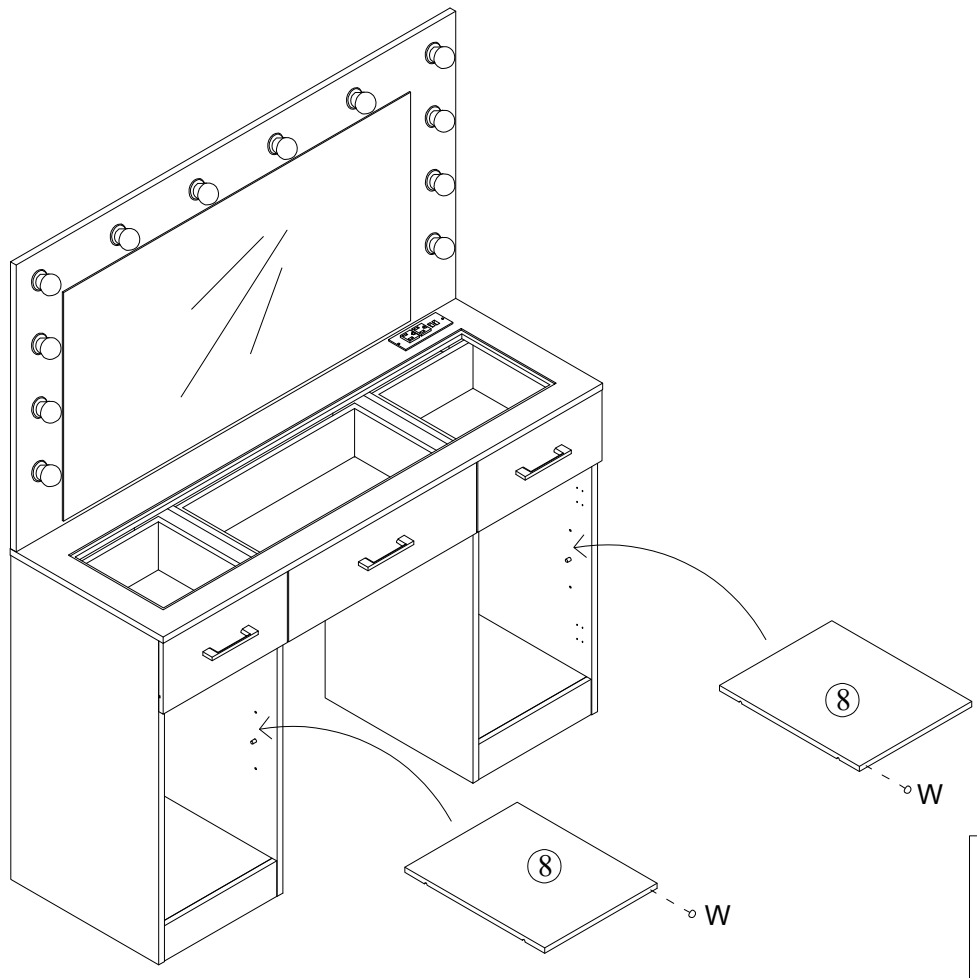
21



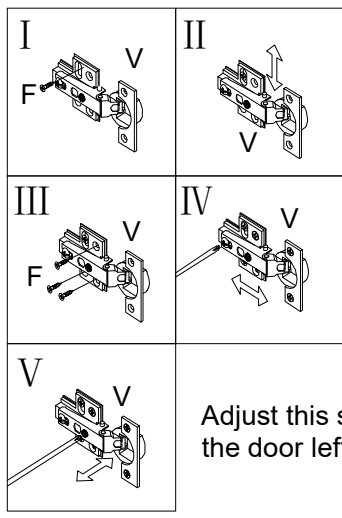
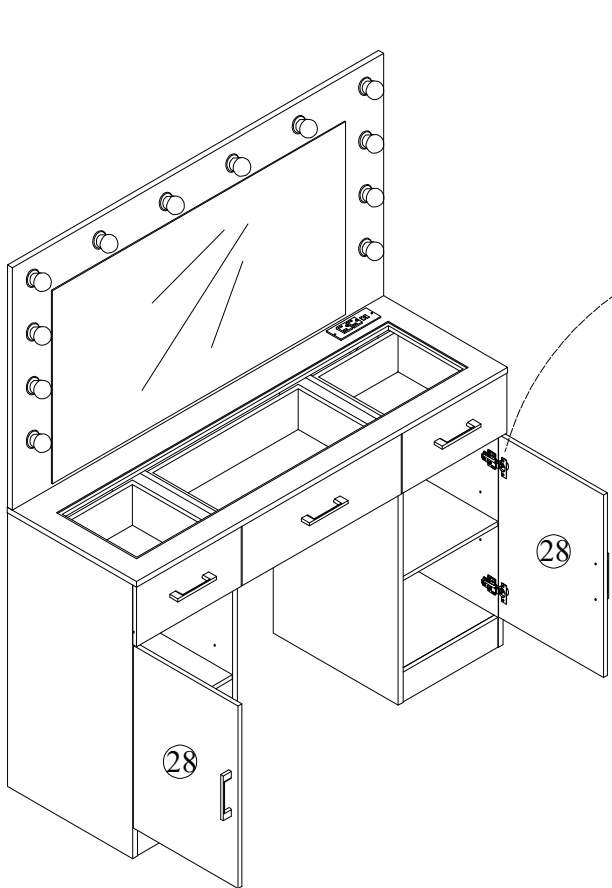
22



23

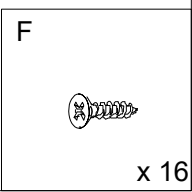


24

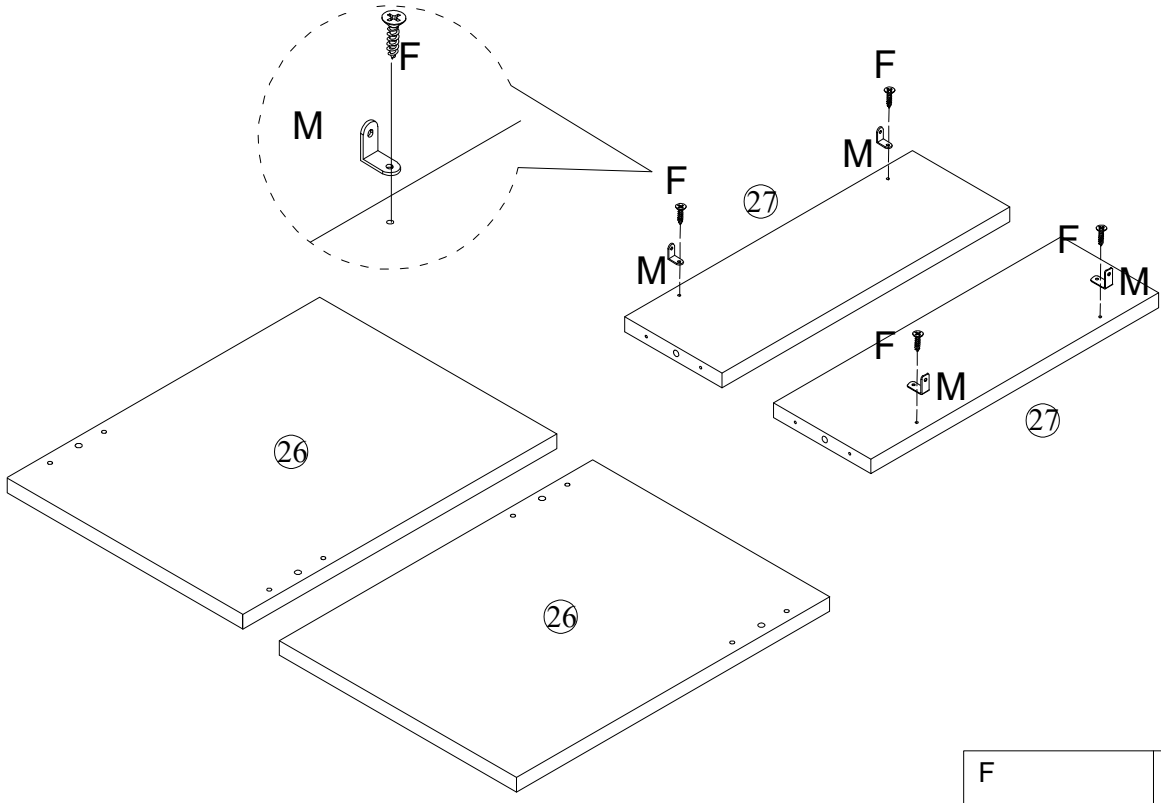




Adjust this screw to adjust the door back and forth

Adjust this screw to adjust the door left or right

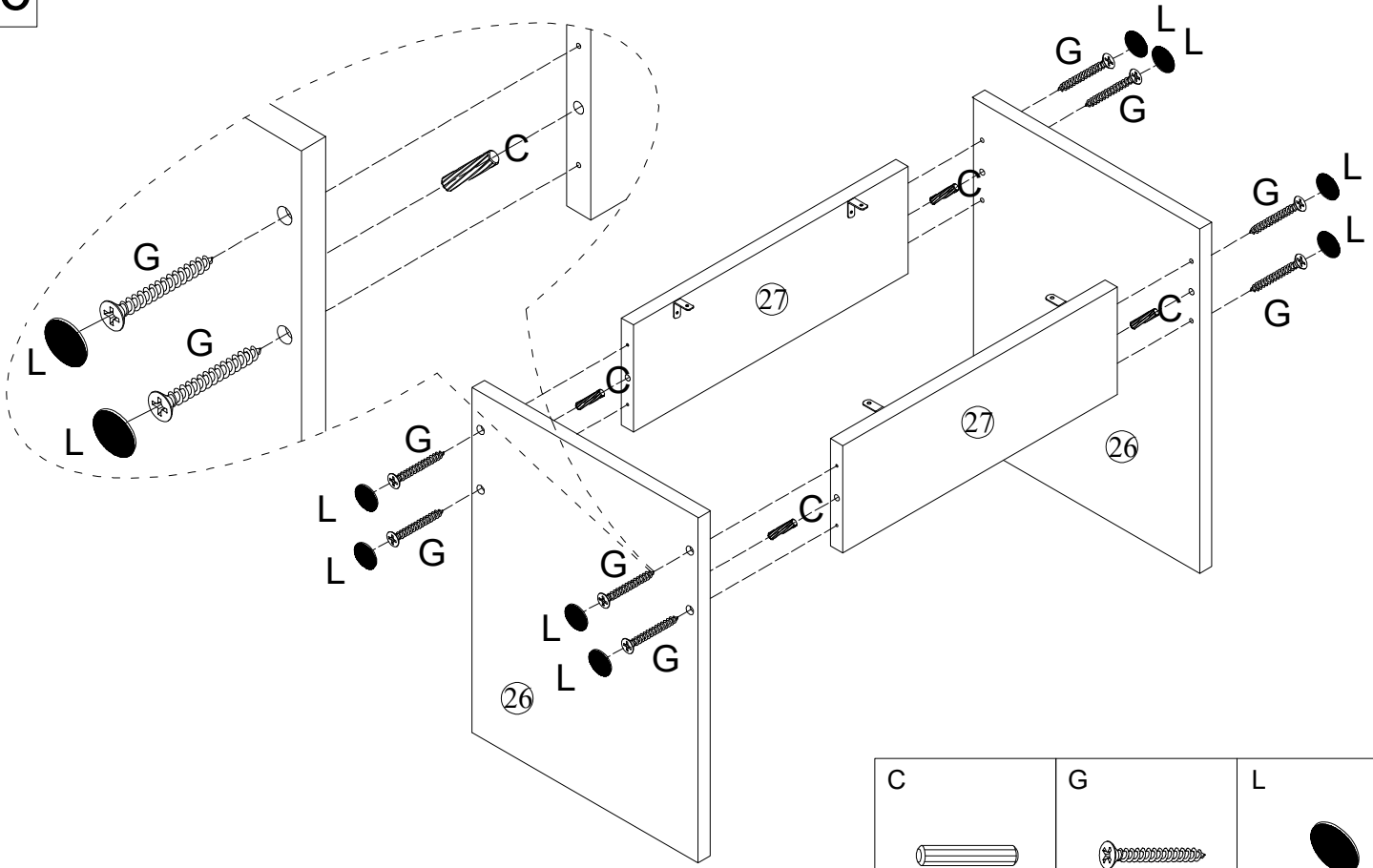


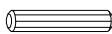


25



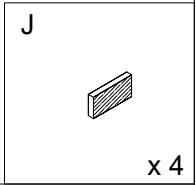
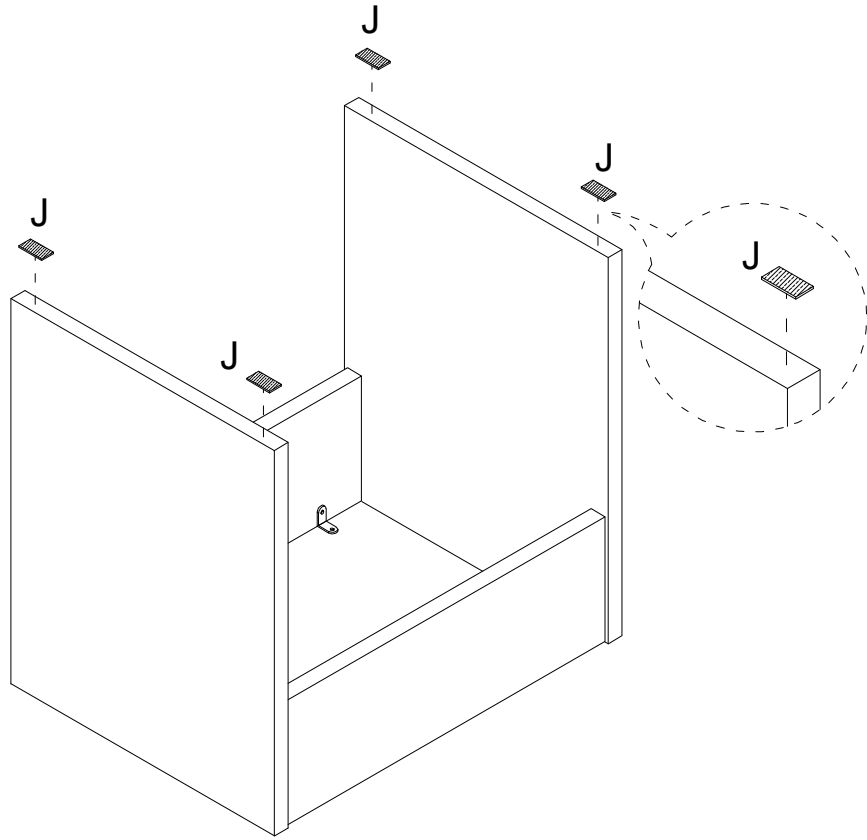
<p>F</p>  <p>x 4</p>	<p>M</p>  <p>x 4</p>
--	--

26

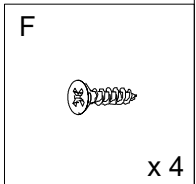
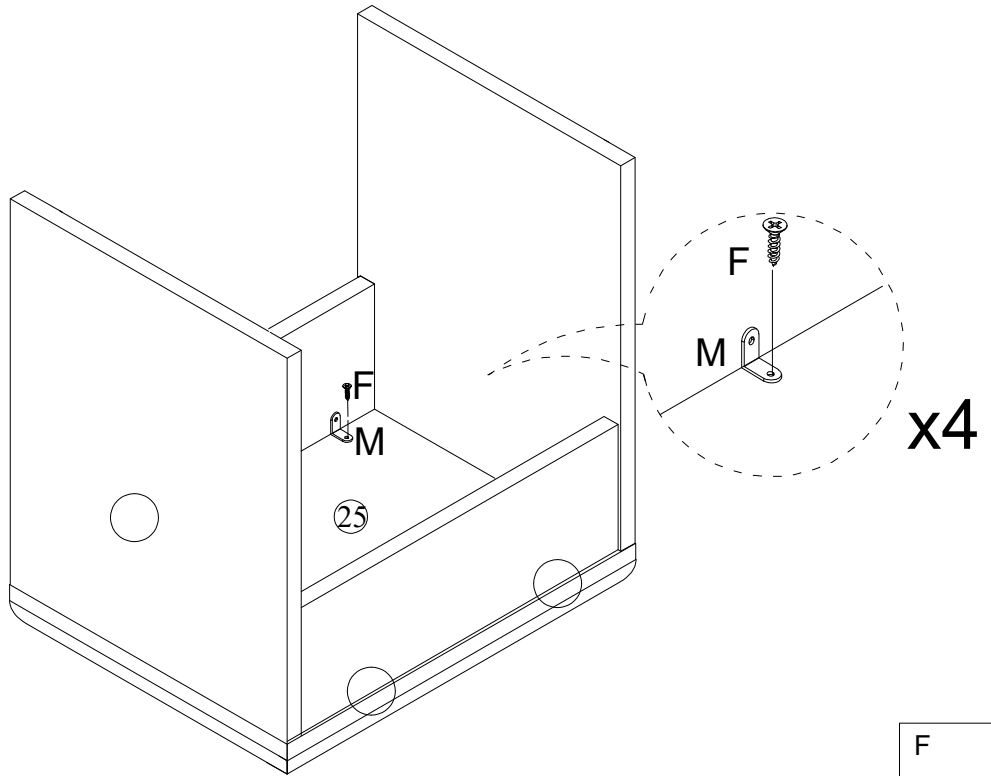


<p>C</p>  <p>x 4</p>	<p>G</p>  <p>x 8</p>	<p>L</p>  <p>x 8</p>
---	---	---

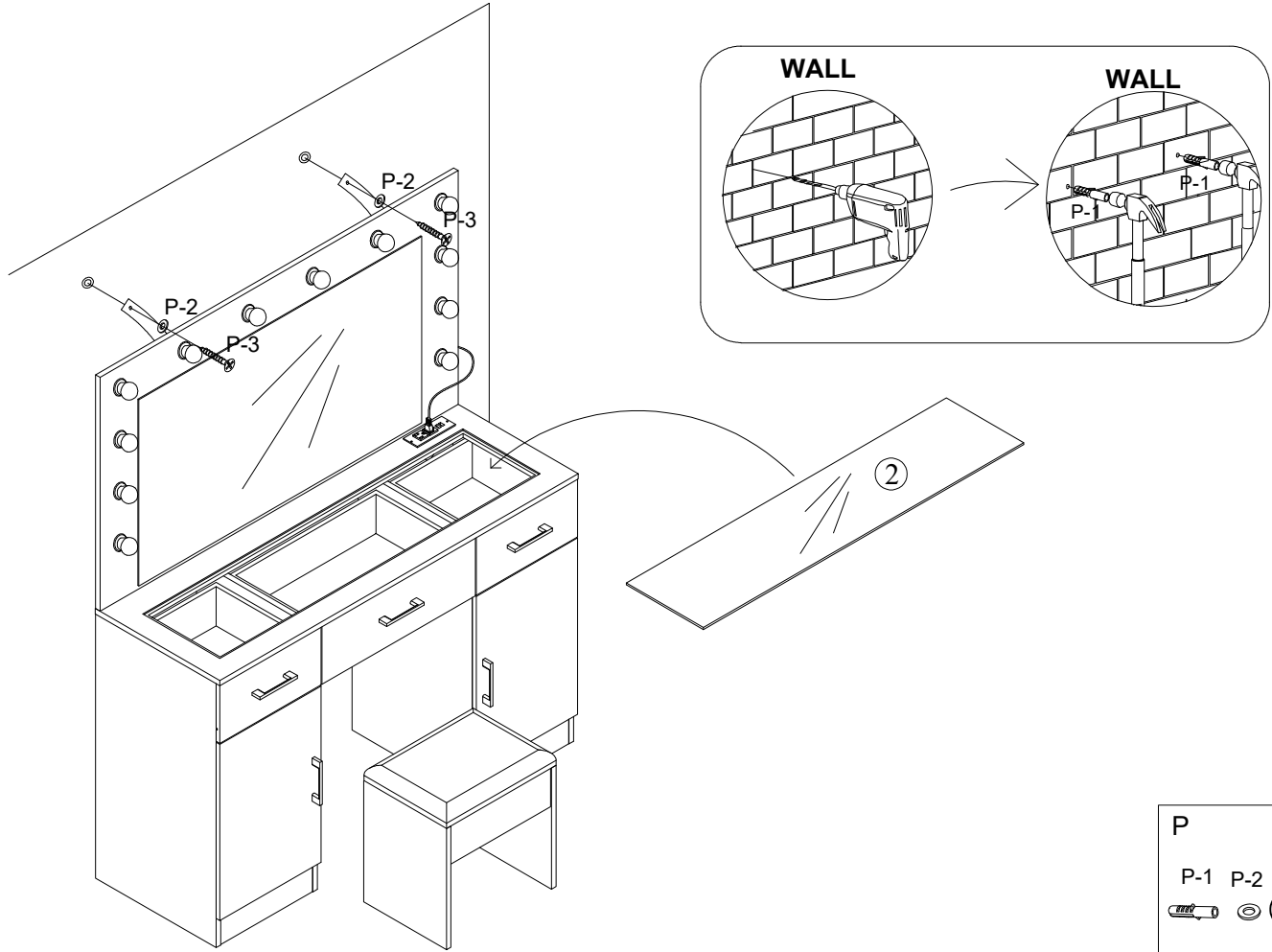
27






28



29



- P
- | | | |
|---|---|---|
| P-1 | P-2 | P-3 |
|  |  |  |
| x 2 | | |

30

