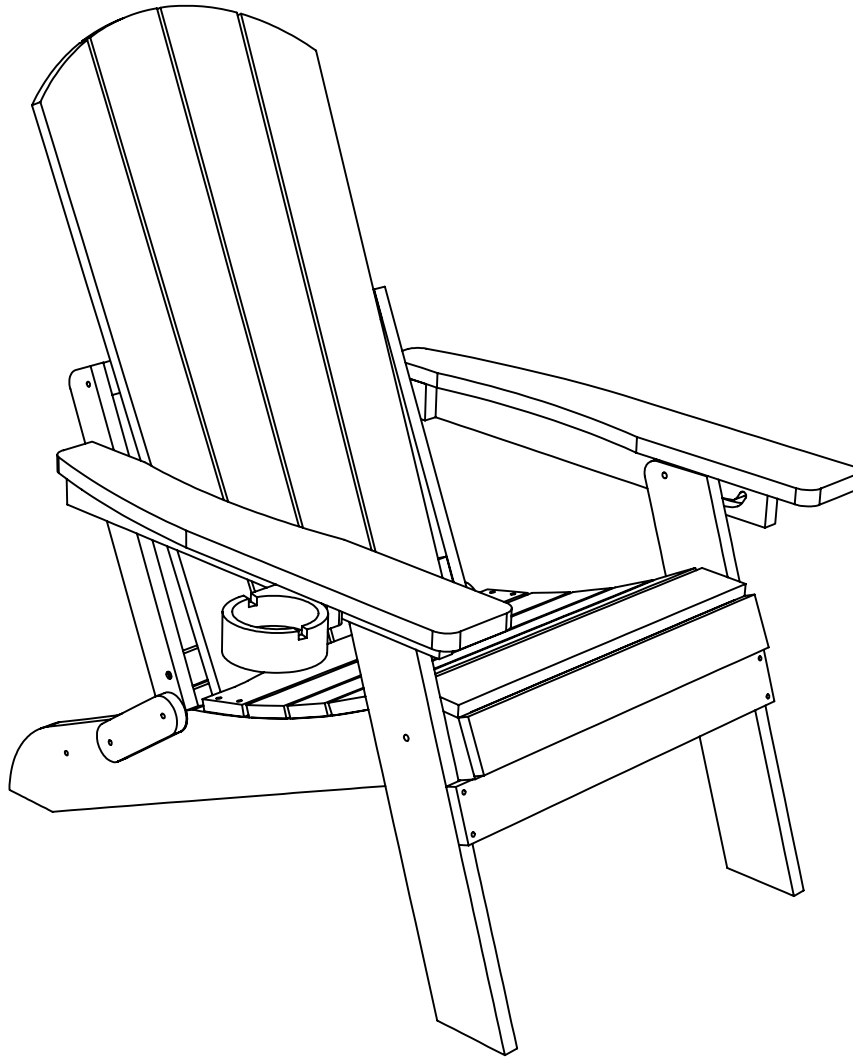


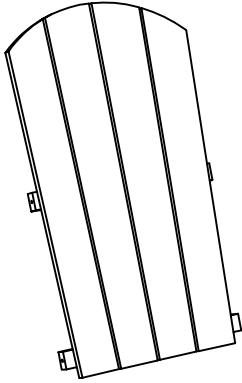
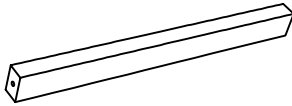
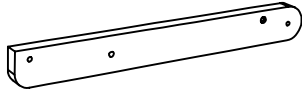
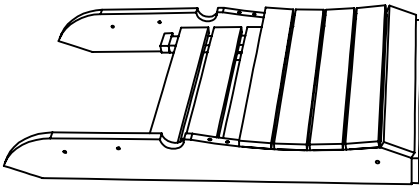


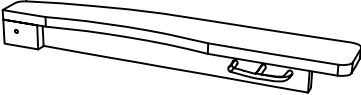
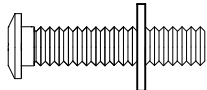
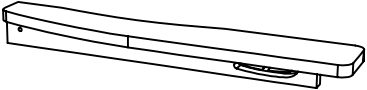
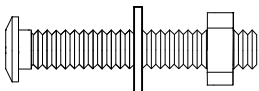

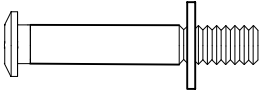
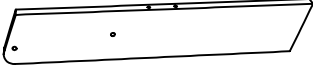
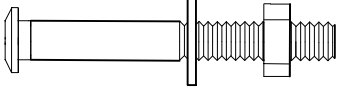

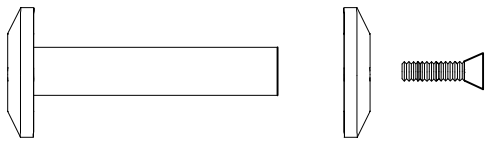

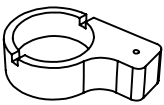
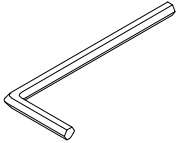
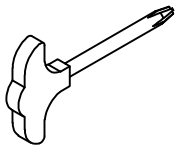
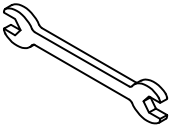
# Assembly Instructions



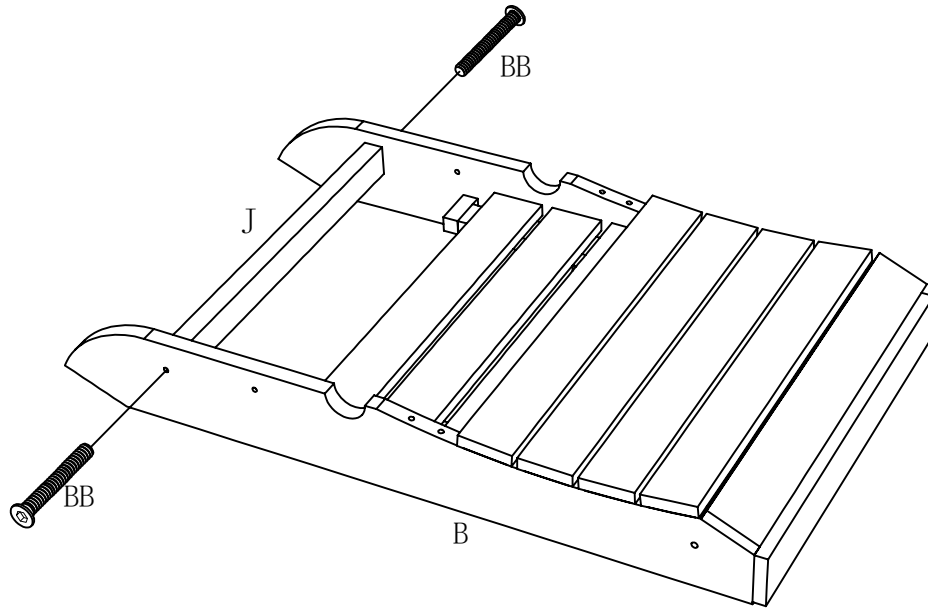
## Foldable Adirondack Chair

**Notice:**

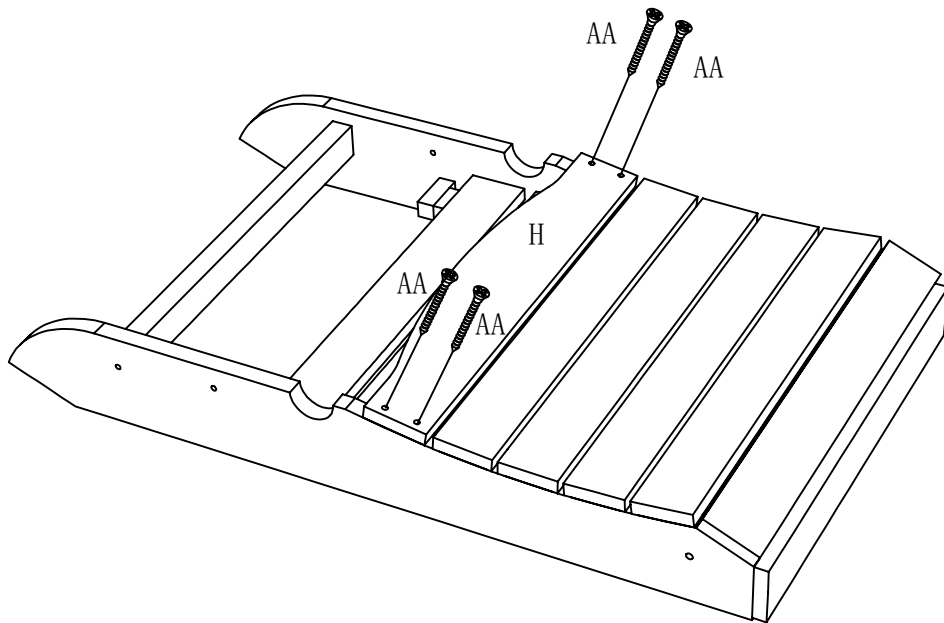
- 1. Follow the installation instructions. Please confirm all accessories are preset before installation.**
- 2. Do not fully tighten the screws during initial assembly. Fully tighten screws only once all pieces which are correctly assembled.**
- 3. If you encounter any problems during installation, please contact our customer service.**

A		1PC	J		1PC	
			K		2PCS	
B		1PC	AA	 4*35 Screw	8PCS	
			BB	 M6*45 Bolt	6PCS	
C		1PC	CC	 M6*40 Bolt	2PCS	
D		1PC	DD	 M6*45 Bolt	4PCS	
E		2PCS	EE	 M6*50 Bolt	1PC	
F		2PCS	FF	 M6*80 Bolt	2PCS	
G		1PC	GG		2PCS	
H		1PC				
I		1PC				

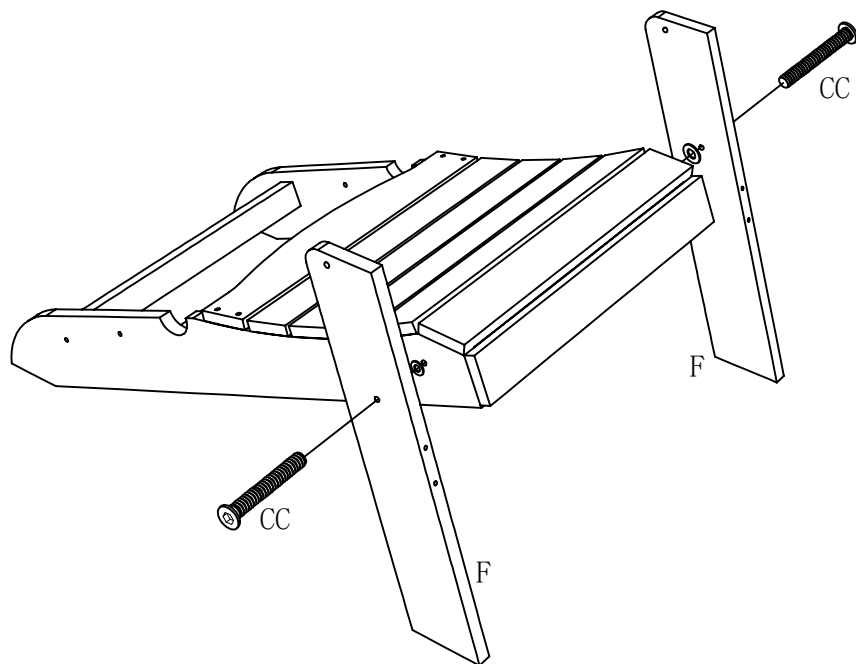
1



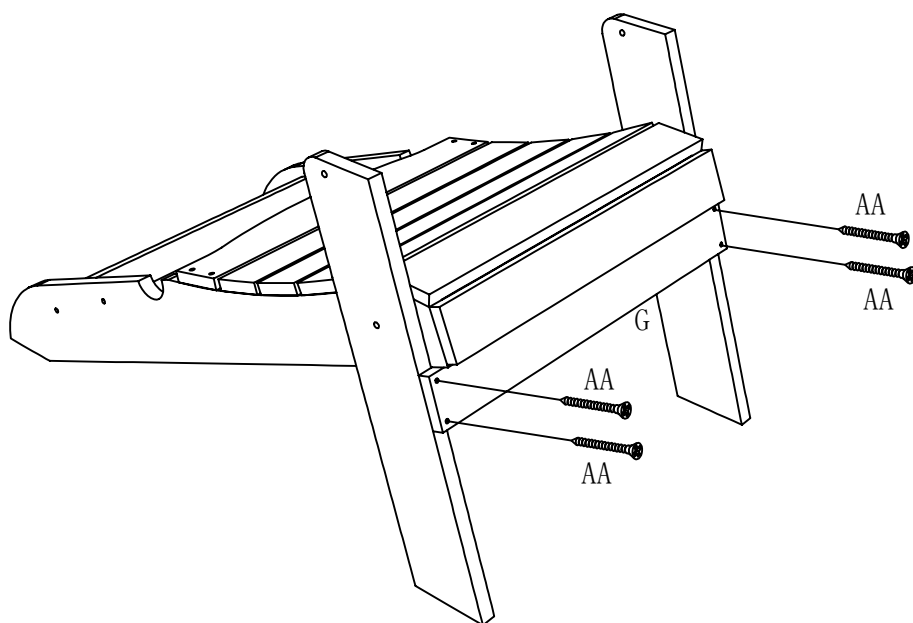
2



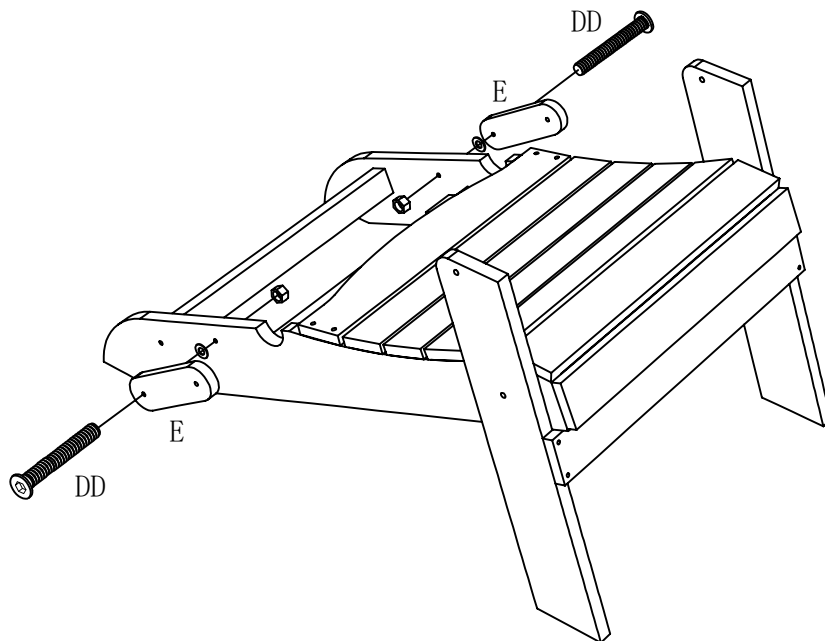
3



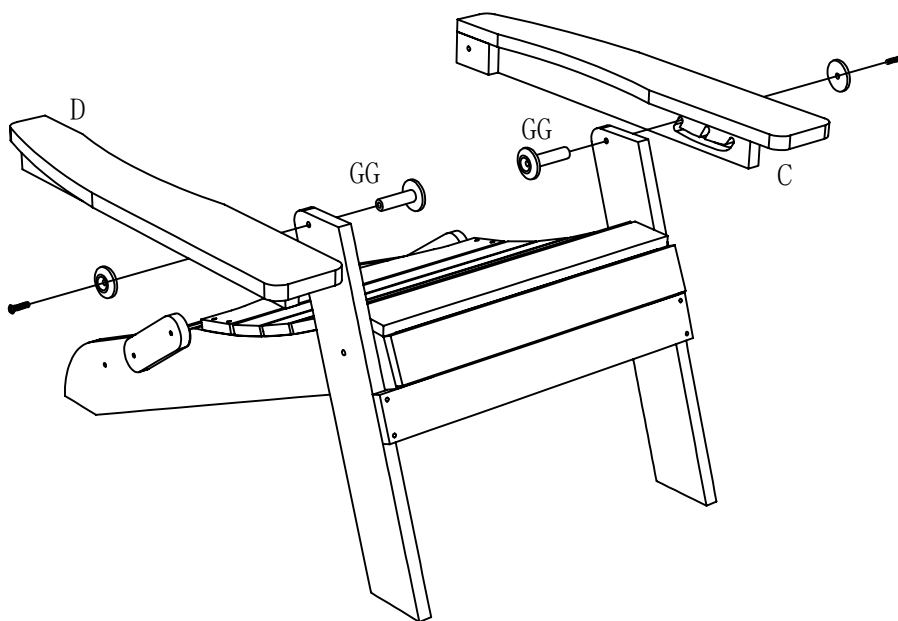
4



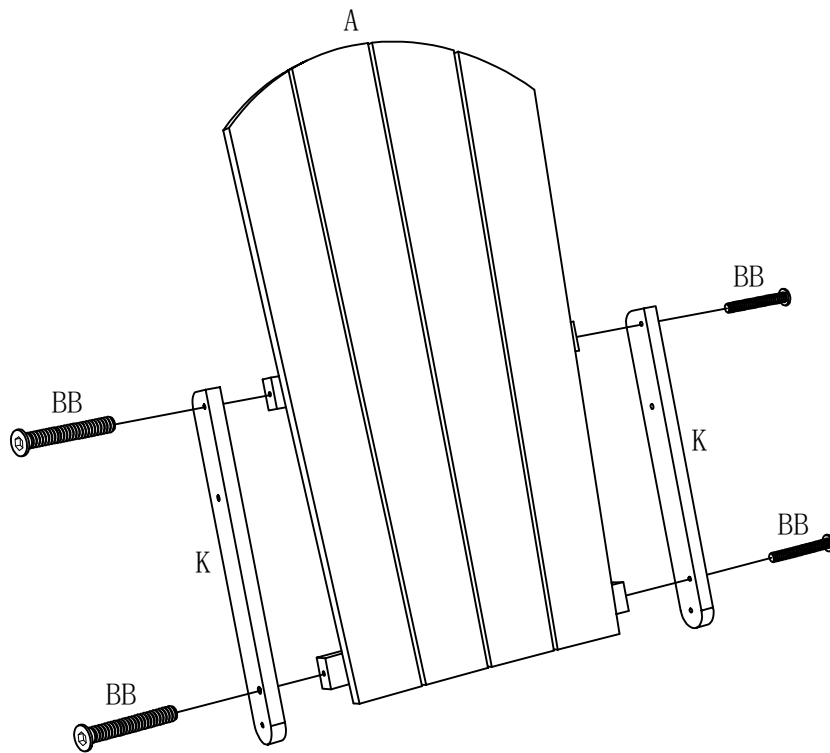
5



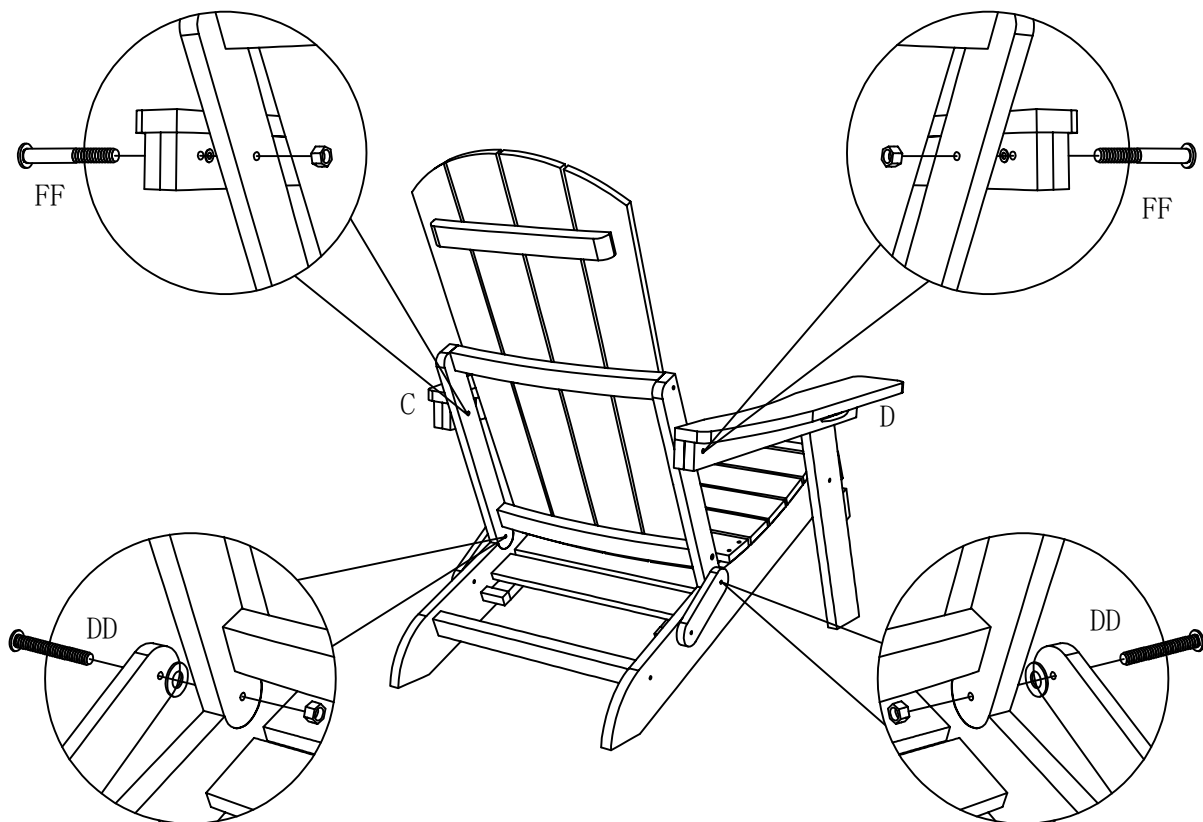
6



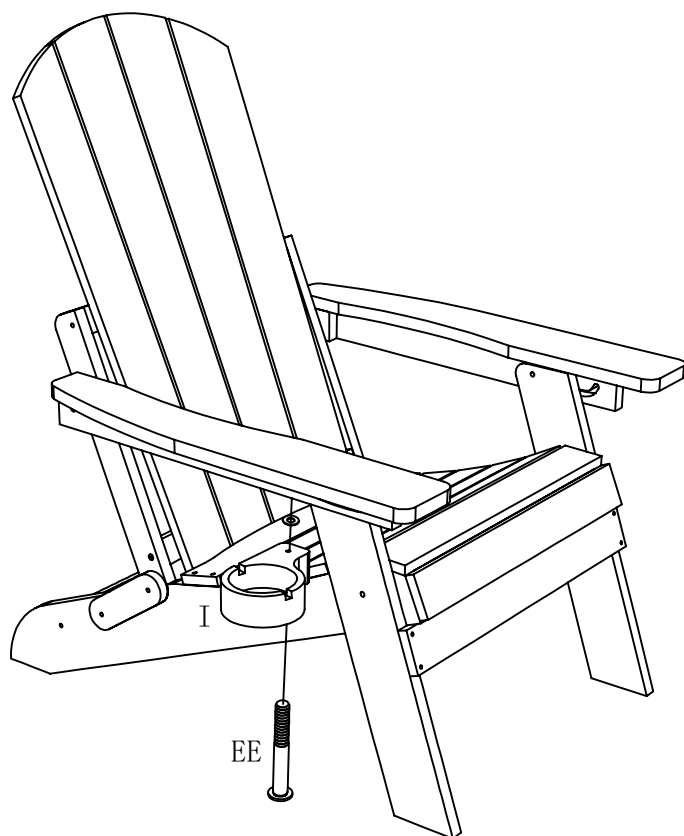
7



8



9



10

