

Assembly Instruction

→ Door Canopy ←



Suitable For Sizes Below

80x100cm/ 32"x 40"	100x100cm/ 40"x 40"
80x120cm/ 32"x 48"	100x120cm/ 40"x 48"
80x150cm/ 32"x 60"	100x150cm/ 40"x 60"
80x200cm/ 32"x 80"	100x200cm/ 40"x 80"



Safety and Care Advice

Important – Please read these instructions fully before starting assembly

- Check you have all the components and tools listed on pages 3.
- Do not stand or put weight on the product during assembly, this could cause damage.
- Remove all fittings from the plastic bags and separate them into their groups.
- Assemble the item as close to its final position (in the same room) as possible.
- Assemble on a soft level surface to avoid damaging the unit or your floor.
- Keep children and animals away from the work area, small parts could choke if swallowed.
- Make sure you have enough space to layout the parts before starting.
- Parts of the assembly will be easier with 2 people.
- Dispose of all packaging carefully and responsibly.

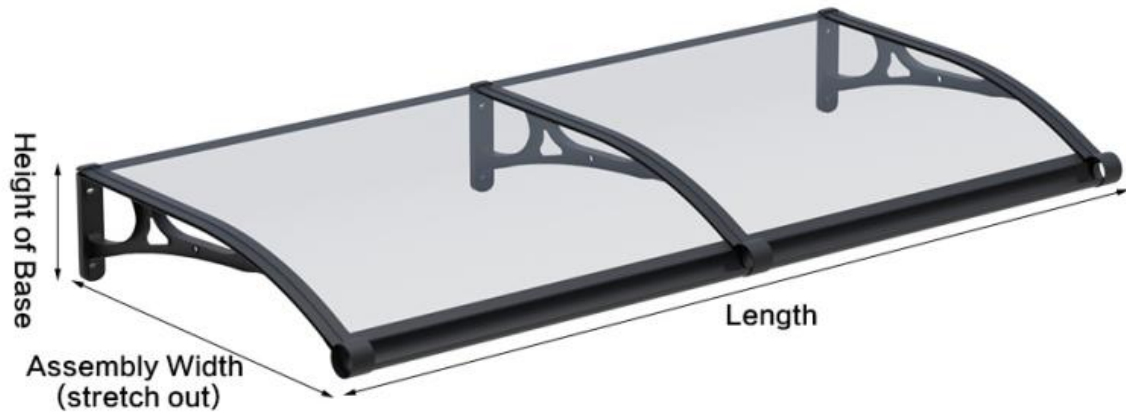
Care and maintenance

- To avoid any risk of suffocation to animals or children dispose of the plastic bags immediately.
- As with all surfaces clean with a damp cloth and mild detergent, do not use bleach or abrasive products.
- From time to time check that there are no loose screws on this unit.
- This product should not be discarded with household waste. Take to your local authority waste disposal centre.

Safety during use

- Do not use this canopy unless all bolts, screws and knobs are firmly secured.
- Do not stand on this canopy. Do not use this canopy as a step ladder.
- At least every 4 months, check all bolts, screws and knobs, to be sure they are tight.
- If parts are missing, broken or damaged or worn, stop use of this product until repairs are made & using factory authorized parts.
- Failure to follow these warnings could result in serious injury.


Instruction Manual



Width	Length				Height
	40" (100cm)	48" (120cm)	60" (150cm)	80" (200cm)	
32"(80cm)	30.9" (78.5cm)				9.1"(23cm)
40"(100cm)	36.02"(91.5cm)				8.66"(22cm)

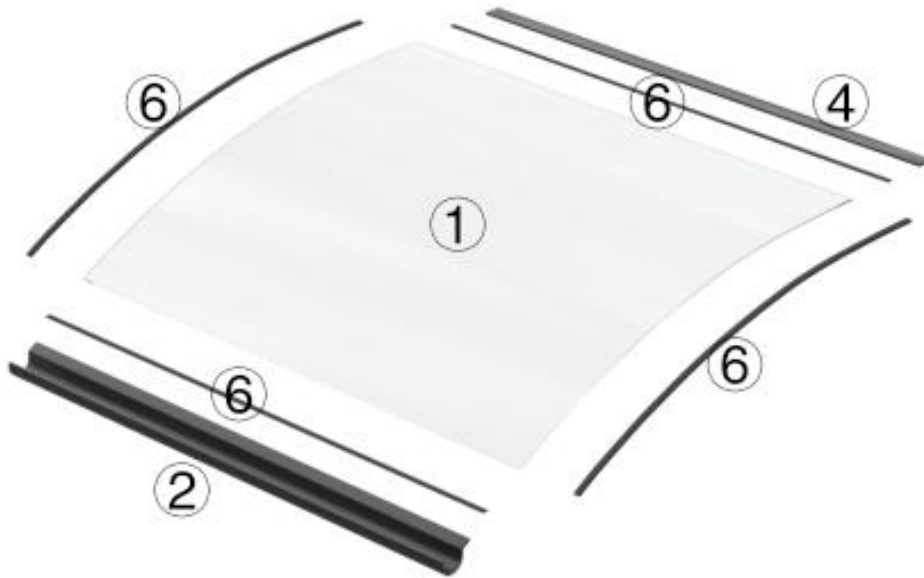
Note: there may be minor discrepancies due to manual measurement.

Packing List

No.	Drawing	Part Name	Part Quantity	No.	Drawing	Part Name	Part Quantity
1		Board	2	6		Rubber Sealant	8
2		Front Fixing Bar	2	7		Screw	6
3		Bracket	3	8		Screw	8
4		Back Fixing Bar	2	9		Bolt (For wooden wall)	6
5		Bolt (For brick wall)	6	10		Bolt (For wooden wall)	6

TOOLS NEEDED (not included)



STEP 1

1. Tear off 4 edges of protection film of PC boards (1), insert rubber sealant (6) around 4 edges of PC boards. Tear off all the protection films only when successfully assembled.

STEP 2

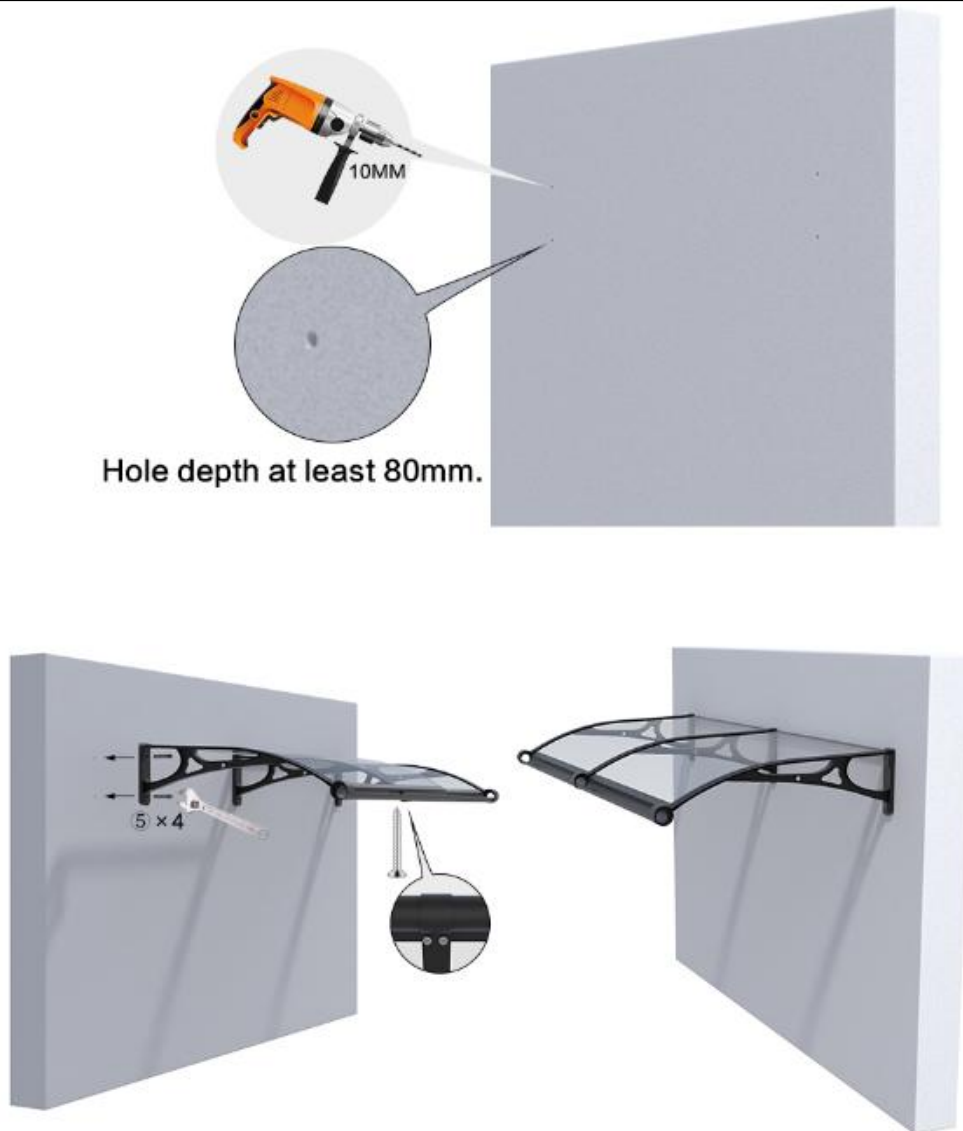
2. Insert aluminum front bar(2) and aluminum back bar (4) to the boards, then insert them(2+1+4) into the gap of brackets(3).

STEP 3

3. Fixed the Aluminum front bar (2) to bracket (3) with screws (7&8), and fixed the Aluminum back bar (4) to brackets (3) with screws (7&8). This step needs a screwdriver, after this, the first set of canopy has been assembled.

STEP 4

4. Repeat the STEP 1 and STEP 2 for the second PC board, get the second set of canopy (2+1+4+one of the bracket 3), insert them to the bracket side of the first set, fixed the middle bracket with both Aluminum front bars (2) with screws (8), the whole canopy has been assembled.

STEP 5

5. Measure and mark the position of the six holes of bracket bases (3), you need to drill on the wall, and drill the wall to receive the set screws (5/9&10, according to the wall). You will need a 10mm electric drill bit.

6. Insert the set screw (5/9&10) through the bracket holes into the drilled hole in the wall, you will need a hammer to tap the set screws fully into the holes.

7. Use Spanner to tighten the set screws (5/9&10), this will tighten the metal collar on the set screw in the wall to expand it to clamp into the wall and fix the canopy into position.