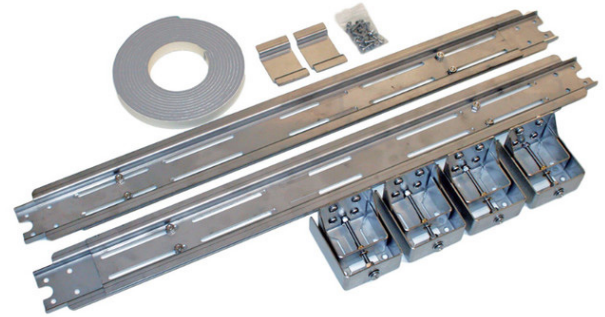


Engineered to make undermount sink installation simple, secure, and precise. Built from heavy-duty coated steel, this fully adjustable system eliminates the need for wood framing or carpentry. The Level-Up support delivers long-term durability and performance, ensuring your sink stays perfectly level for years to come.

FEATURES

- Supports up to 400 lbs
- Expands to fit inner cabinet width from 32" up to 46"
- Supports heavy materials like fireclay, cast iron and composite
- 4-Way adjustment allows sink leveling in every direction for a perfect fit
- No carpentry skills or special tools needed
- Corrosion-resistant 100% stainless steel construction
- Low-profile support rails provide more room in cabinet
- Supports sinks that have fallen due to glue failure
- Protected by our lifetime warranty



INSTALLATION

Sink Level-Up installation instructions are available on the BILT® App. Download the BILT App today and search "Sinkology" to find install instructions specifically for your product and installation type or scan the QR Code for easy access.

SCAN FOR BILT 3D INSTRUCTIONS



POWERED BY BILT INTELLIGENT INSTRUCTIONS™

RECOMMENDED PRODUCTS

Any undermount kitchen sink.

LIFETIME WARRANTY

All Sinkology products are fully backed with a lifetime warranty - the Sinkology Everyday Promise™.



DIMENSIONS

