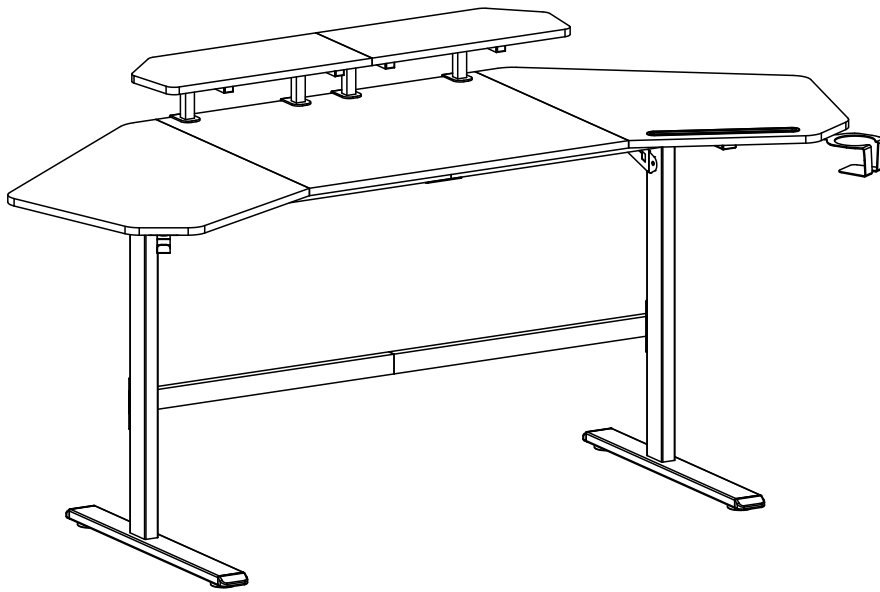


# UNIVERSE GAMING DESK

## ASSEMBLY INSTRUCTIONS



Thank you for purchasing our product!

Do a quick inventory of all the parts and hardware listed below.



**For Support, assembly questions & Replacement Parts within the 48 Contiguous United States:**

Please email us.

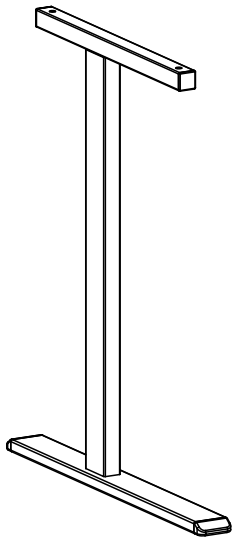


Replacement Parts for International Customers & orders:

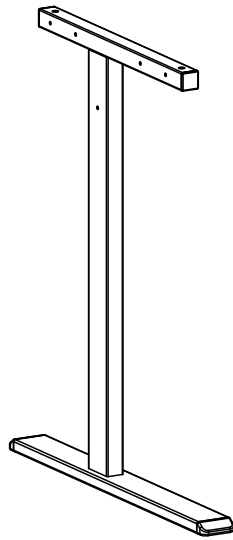
We will replace the part free of charge, while **the customer is responsible for shipping costs plus any International local taxes or duties.**

### MAIN PARTS LIST

**#1** Left metal leg



**#2** Right metal leg



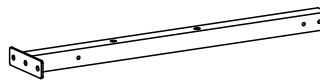
**#3** Front-Left support beam



**#4** Front-Right support beam



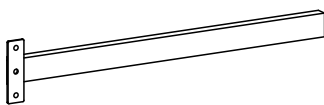
**#5** Back-left support beam



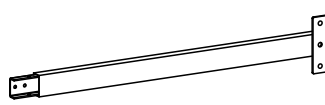
**#6** Back-Right support beam



**#7** Lower-Left support beam



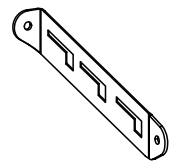
**#8** Lower-Right support beam



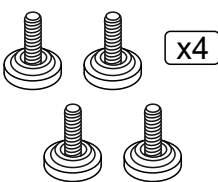
**#9** Cross-Left bracket



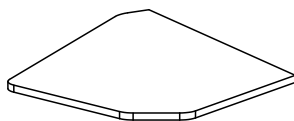
**#10** Cross-Right bracket



**#11** Glide studs



**#12** Left tabletop



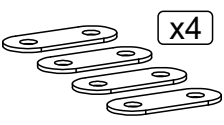
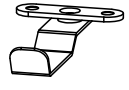

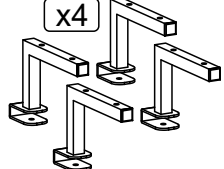
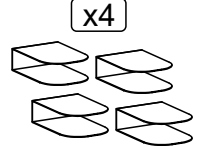
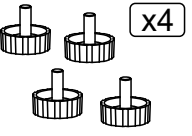


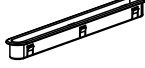
**#13** Middle tabletop



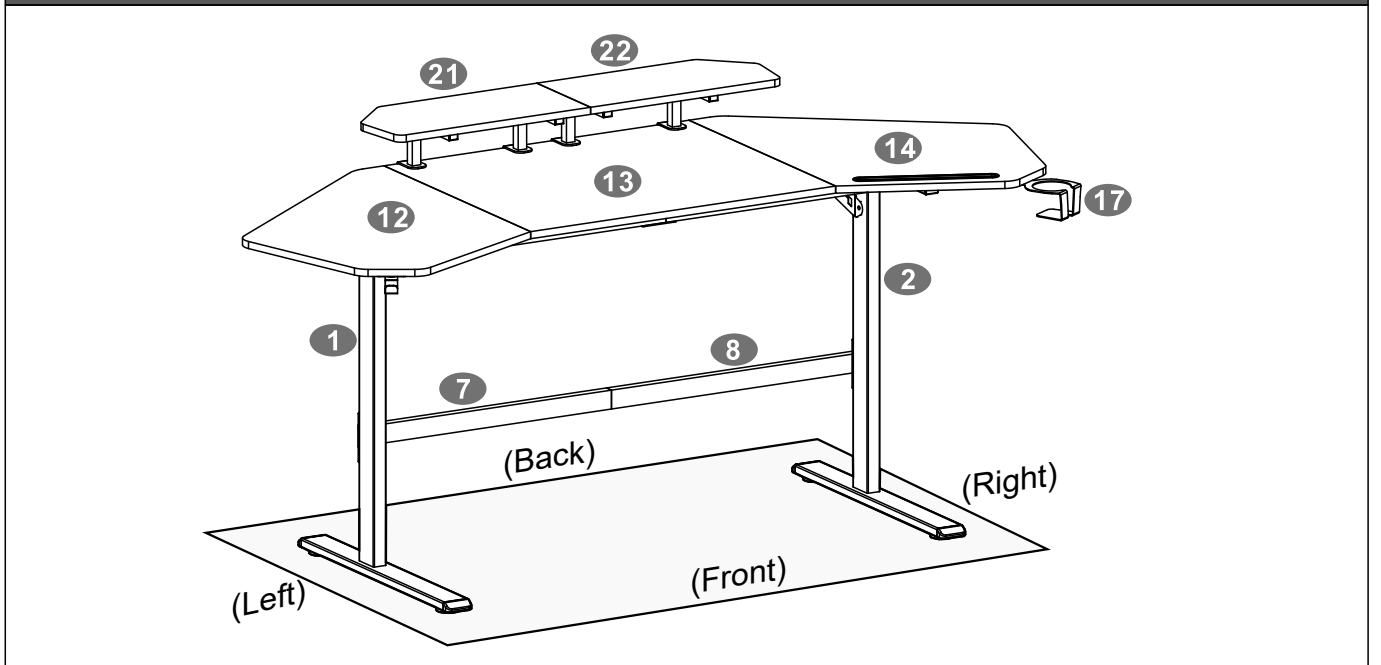
**#14** Right tabletop




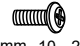
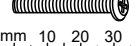
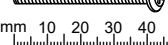
### MAIN PARTS LIST (Continue)

<b>#15 Metal plates</b>  x4	<b>#16 Accessory hook</b> 	<b>#17 Cup holder</b> 	<b>#18 Shelf support</b>  x4	<b>#19 Shelf protector</b>  x4
<b>#20 Screw knob</b>  x4	<b>#21 Left shelf</b> 	<b>#22 Right shelf</b> 	<b>#23 Accessory holder</b> 	

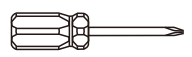

### MAIN PARTS LAYOUT (For reference)



### HARDWARE LIST

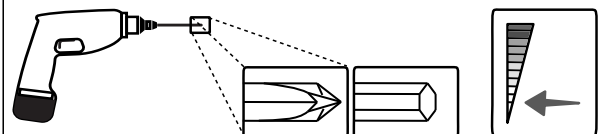
PART	QTY	SIZE / DESCRIPTION	ITEM
A	12	M6x15	 mm 10 20 30 40 50 60
B	27	M6x12	 mm 10 20 30 40 50 60
C	8	M6x30	 mm 10 20 30 40 50 60
D	12	M6x40	 mm 10 20 30 40 50 60

### TOOLS REQUIRED BUT NOT INCLUDED

Phillips Screwdriver	 X
M4 Allen wrench	

If you decide to use a power driver:

- Make sure to have the appropriate hex or Phillips bits.
- Start using at a low power or speed to avoid stripping the screws.



**BEFORE YOU START THE ASSEMBLY, PLEASE READ THE FOLLOWING TIPS AND WARNINGS.**

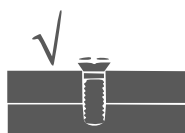
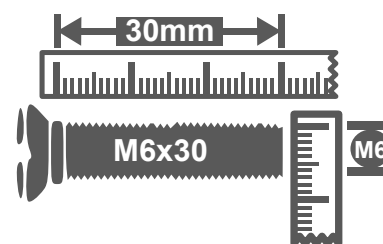
- Do not discard this manual or any of the packaging material until the unit is completely assembled.
- Please read the assembly instructions thoroughly and follow step by step.



- The assembly might require of 2 persons for certain steps. Before you start the installation, make sure there is someone else nearby to help you.



- Make sure you understand which hardware will be used on each step.
- Do not overtighten the screws to avoid stripping, breaking or getting stuck inside the part that is being used.



CORRECT SIZE



TOO SHORT!



TOO LONG!

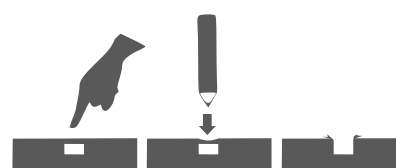


DO NOT OVERTIGHTEN!

- If the hole seems to small for the screw, make sure you are using the correct size of screw and/or that you are installing it in the correct hole.



- Sometimes on the wood panels the laminate or material might be covering the hole partially or entirely, if there is no visible hole or if it looks too small, pass and press the tip of your finger over the area to feel its indentation, and carefully pierce the laminate to uncover the hole underneath.



- Please be kind to our planet, when done with the assembly, recycle any of the packaging materials that is accepted by your city or recycling service.



Thank you!



- After finishing with the assembly, you can use rubbing alcohol to erase or remove the visible part numbers printed or labeled on the pieces.



## ASSEMBLY STEPS

WE RECOMMEND TO PLACE THE PIECES OVER BLANKETS OR TABLECLOTHS TO PROTECT THEIR FINISH DURING ASSEMBLY.

### STEP 1

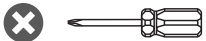
This step requires of 2 persons



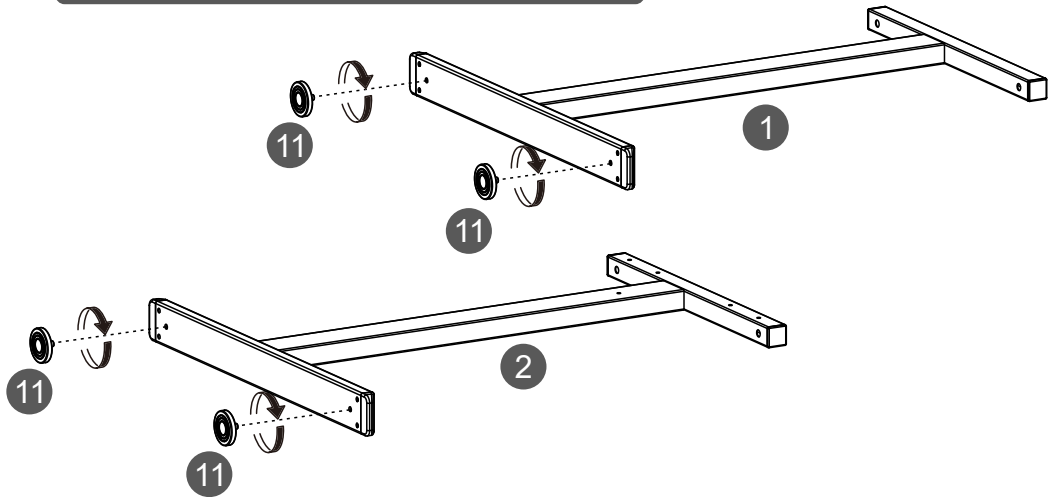
#### Hardware

B M6x12 8 Pcs

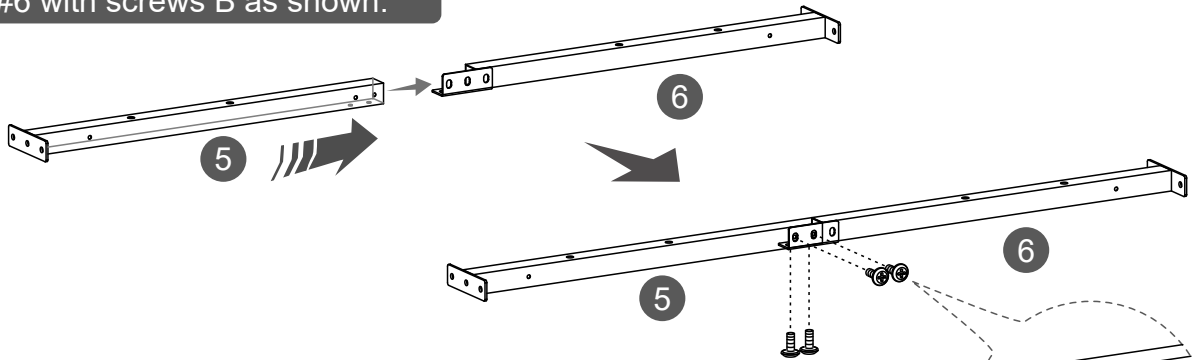
#### Tools (included)



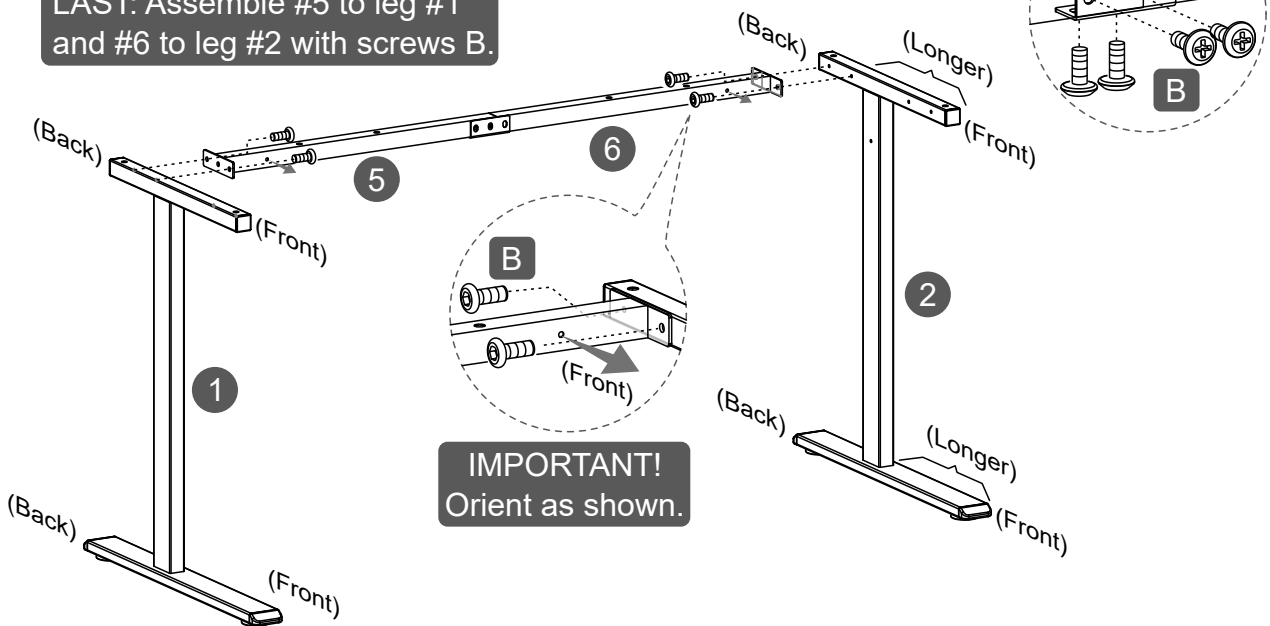
FIRST: Install #11 to the legs #1 and #2.



THEN: Join the beams #5 and #6 with screws B as shown.



LAST: Assemble #5 to leg #1 and #6 to leg #2 with screws B.



**STEP 2**

This step requires of 2 persons



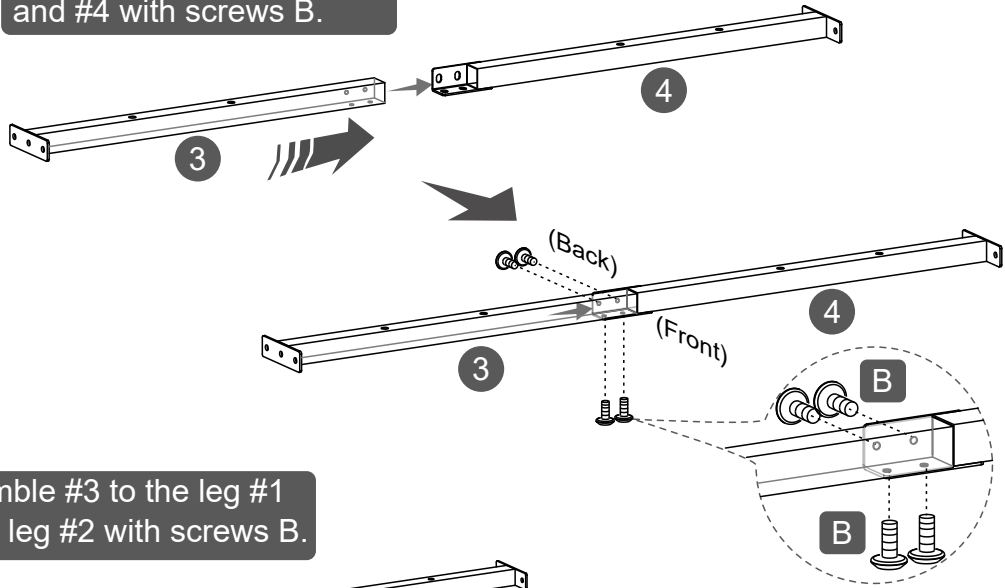
**Hardware**

**B**  8 Pcs  
M6x12

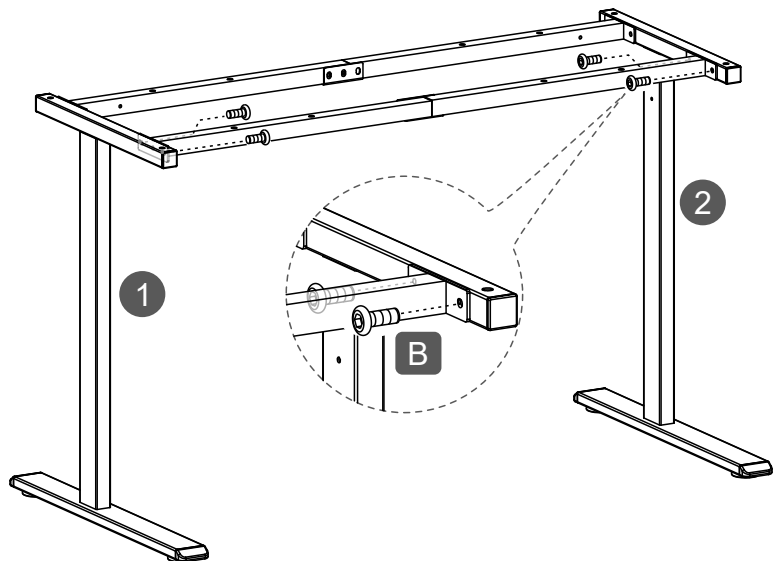
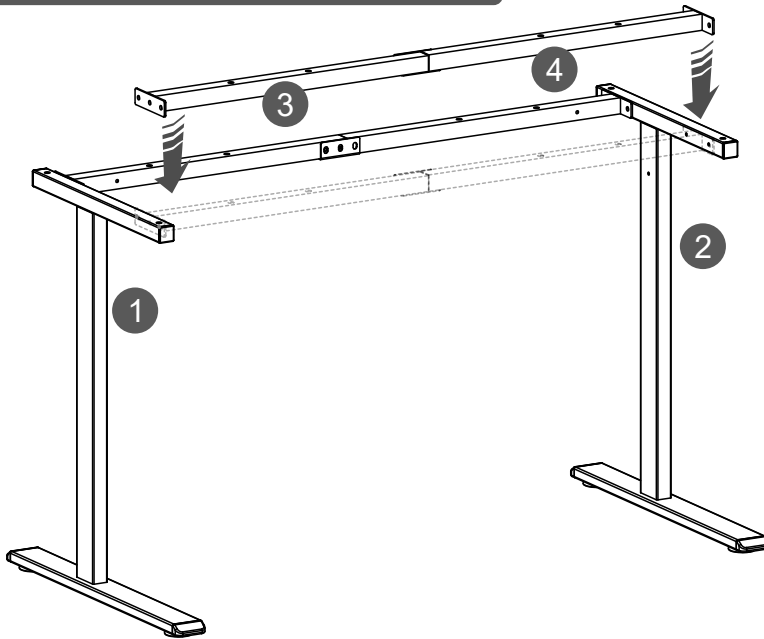
**Tools (included)**



**FIRST:** Join the beams #3 and #4 with screws B.





**THEN:** Assemble #3 to the leg #1 and #4 to the leg #2 with screws B.



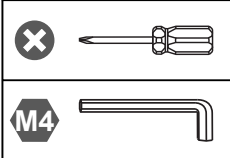
**STEP 3**

This step requires of 2 persons 

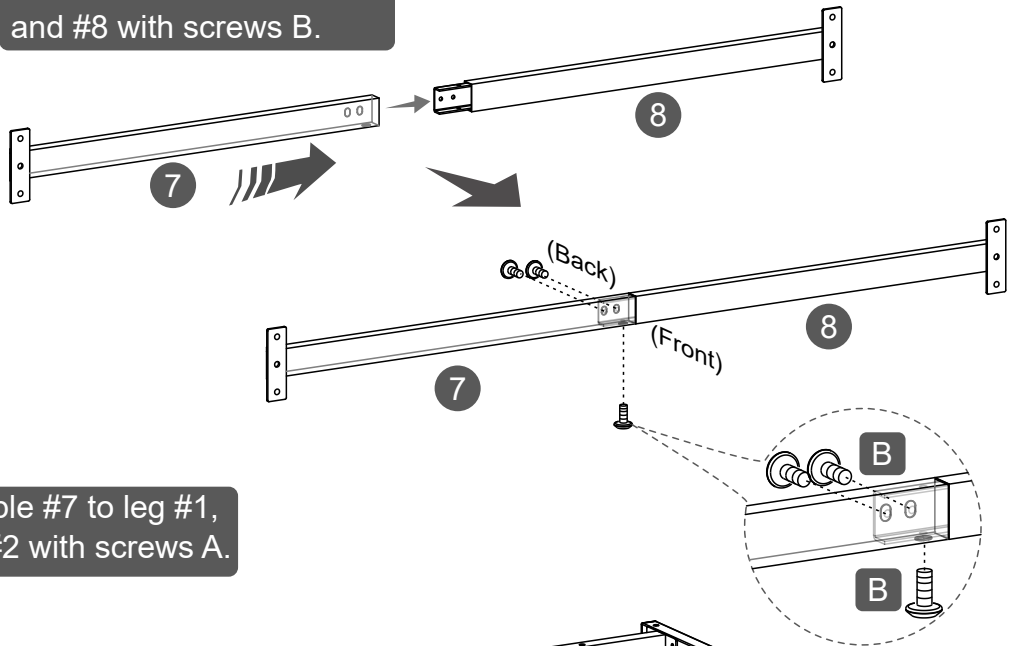
**Hardware**

A		4 Pcs
B		3 Pcs

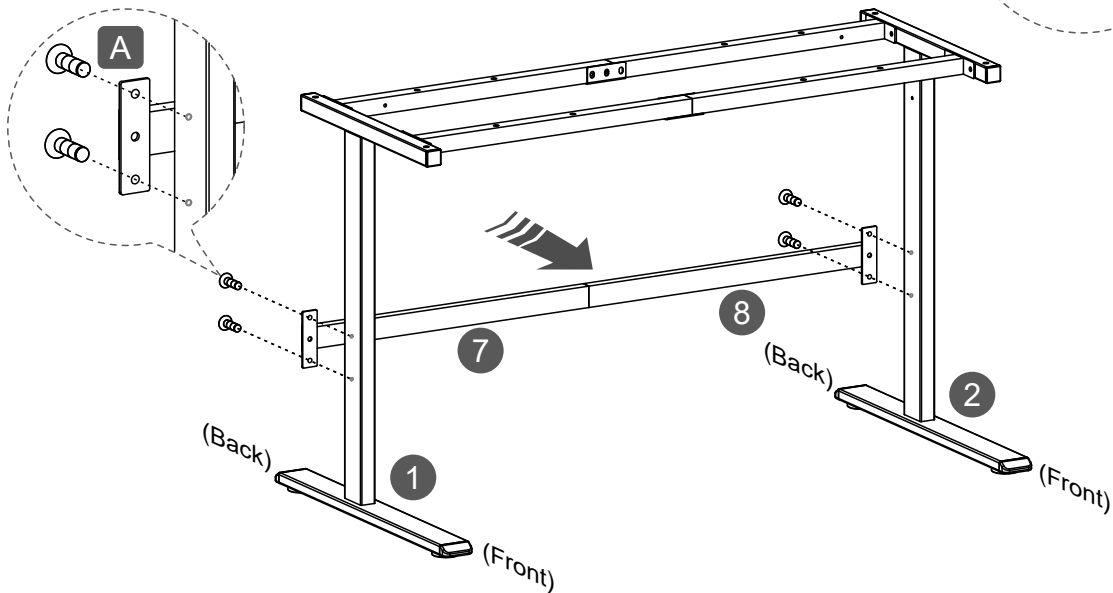
**Tools (included)**



**FIRST:** Join the beams #7 and #8 with screws B.



**THEN:** Assemble #7 to leg #1, and #8 to leg #2 with screws A.







**STEP 4**

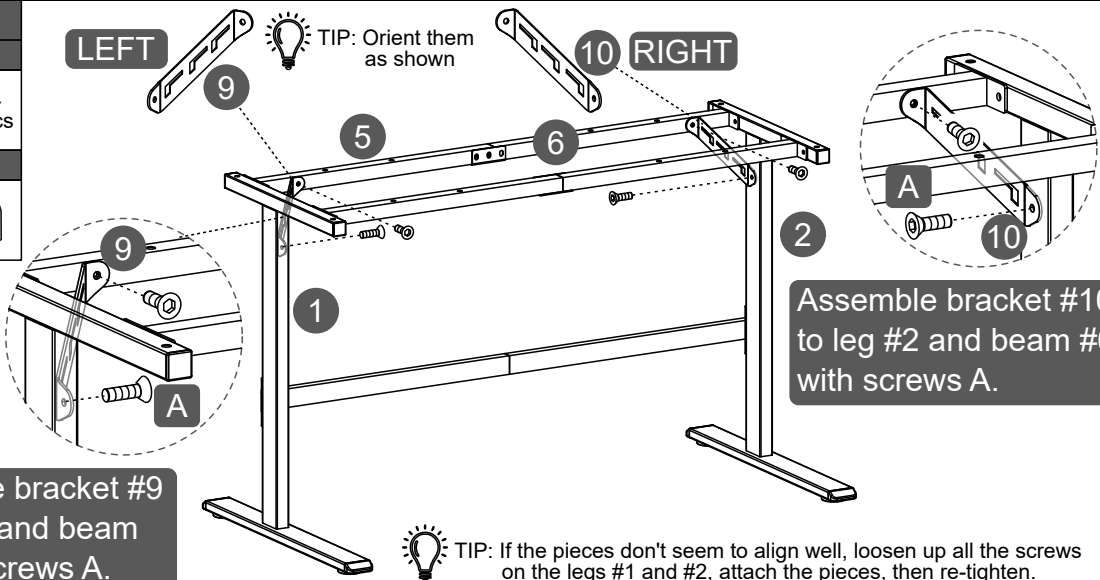
**Hardware**

A		4 Pcs
---	---	-------

**Tools (included)**




**LEFT**   **TIP:** Orient them as shown  **RIGHT** 



Assemble bracket #9 to leg #1 and beam #5 with screws A.

Assemble bracket #10 to leg #2 and beam #6 with screws A.


 **TIP:** If the pieces don't seem to align well, loosen up all the screws on the legs #1 and #2, attach the pieces, then re-tighten.

**STEP 5**

This step requires of 2 persons



**Hardware**

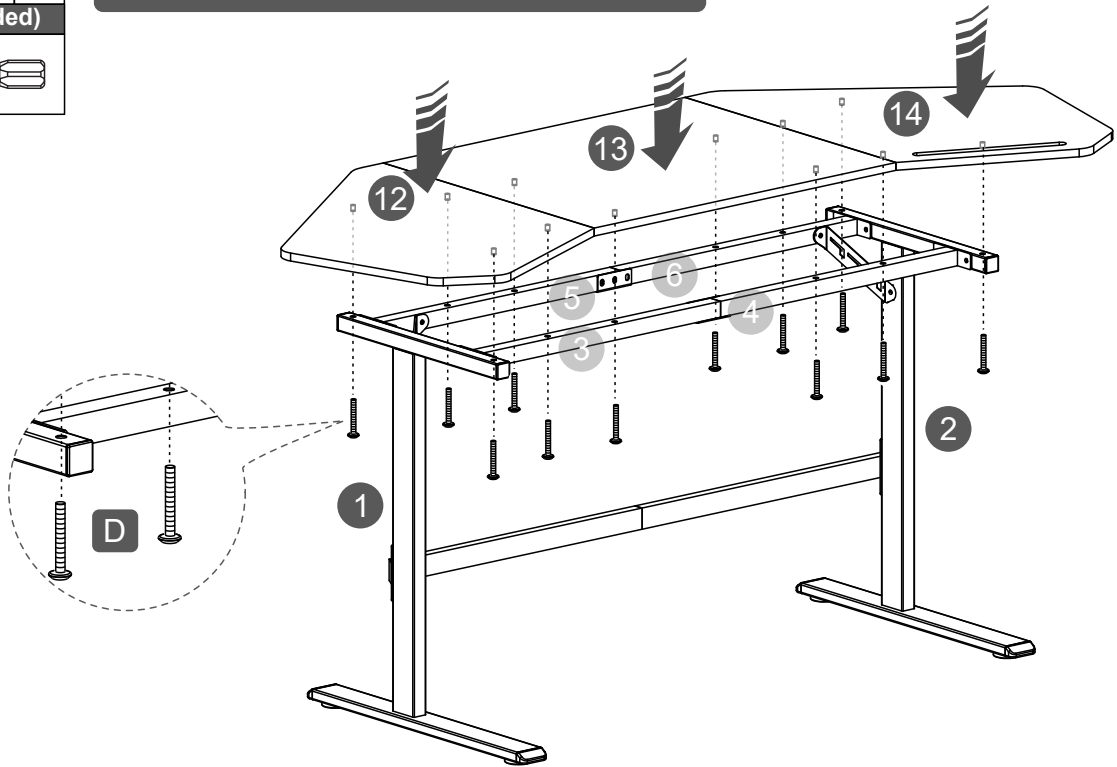
D  12 Pcs  
M6x40

**Tools (included)**



**! IMPORTANT: Do not tighten the screws until the next step!**

Assemble the tabletops #12, #13 and #14 to the legs #1, #2 and to the beams #3, #4, #5 and #6 respectively with screws D.



**STEP 6**

**Hardware**

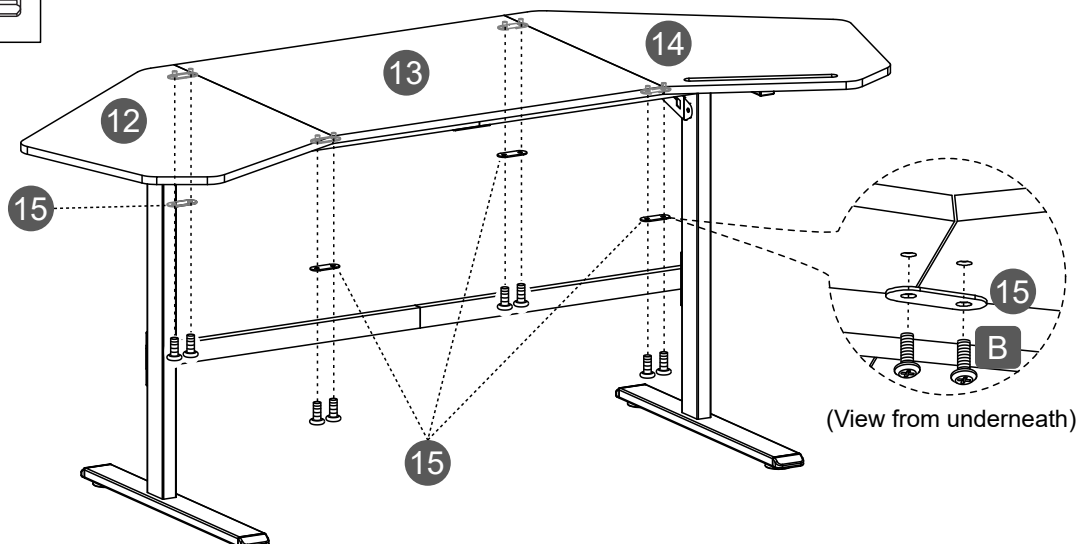
B  8 Pcs  
M6x12

**Tools (included)**



**FIRST:** Attach the plates #15 in between the tabletops #12, #13 and #14 with screws B as shown.

**THEN:** Tighten all the screws D from step 5.



**STEP 7**

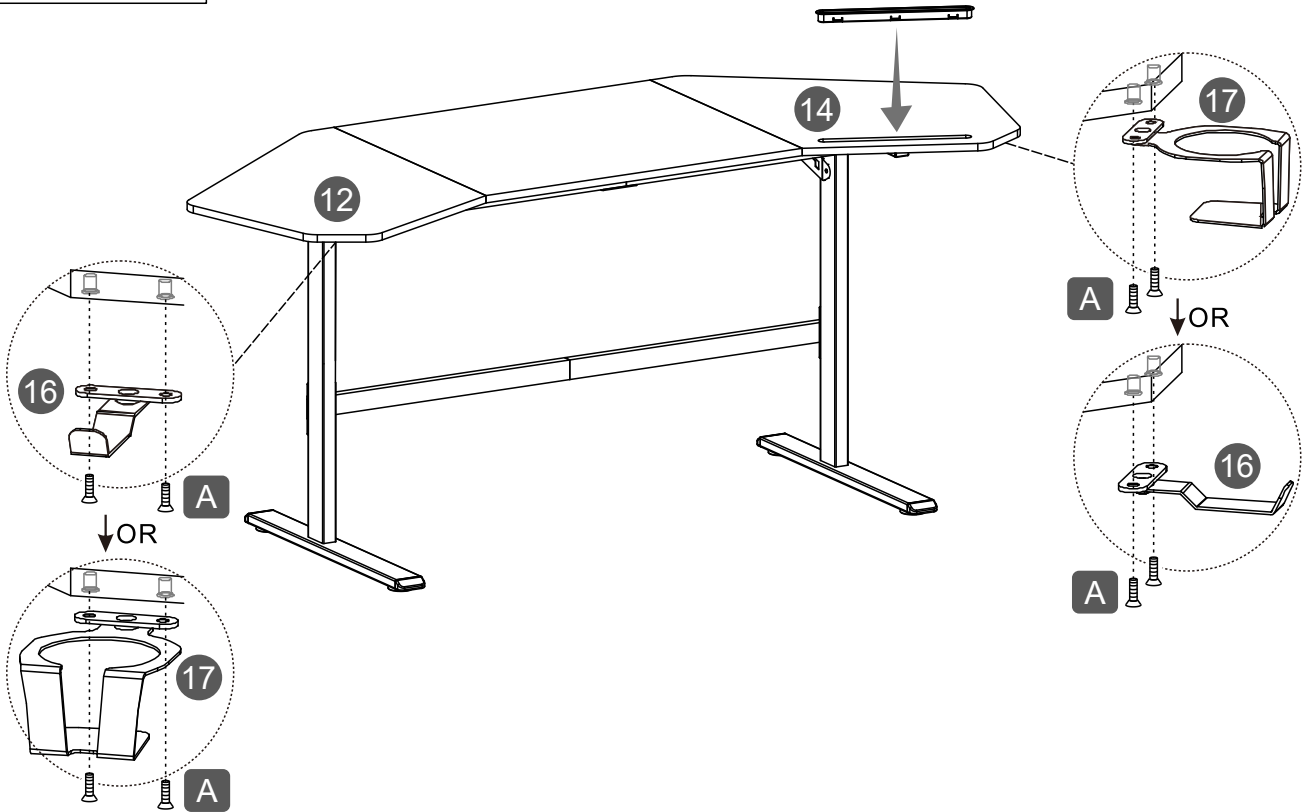
**Hardware**

**A**  4 Pcs  
M6x15

**Tools (included)**

**M4** 

**FIRST:** Install the phone/tablet holder #23 to the tabletop #14.  
**THEN:** Use screws A to install the accesories #16 and #17 on the tabletops #12 and #14 according to your preference.



**STEP 8**

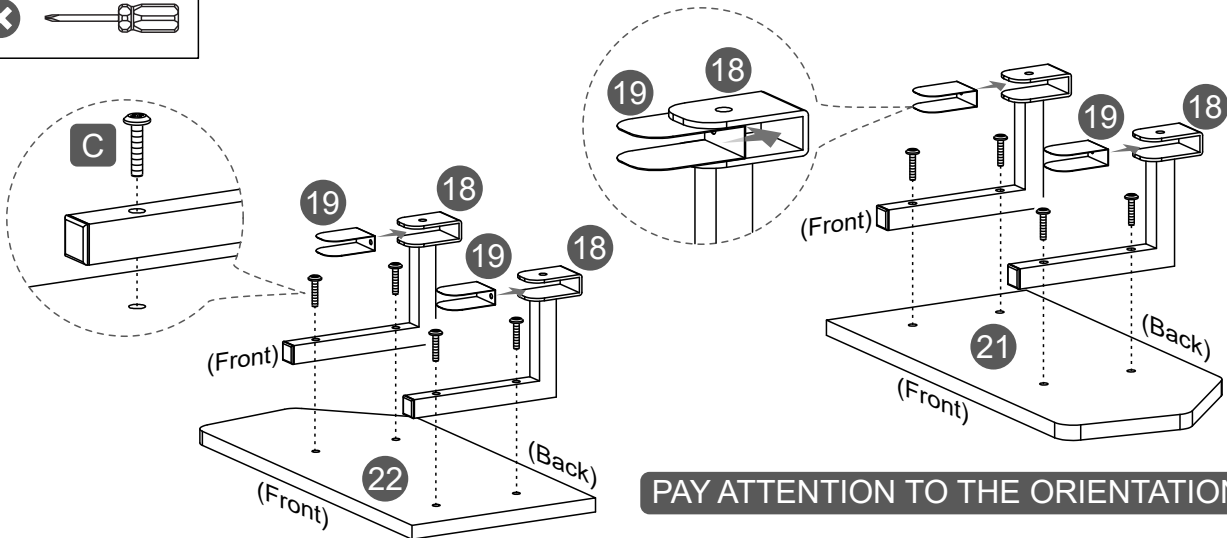
**Hardware**

**C**  8 Pcs  
M6x30

**Tools (included)**

**X** 

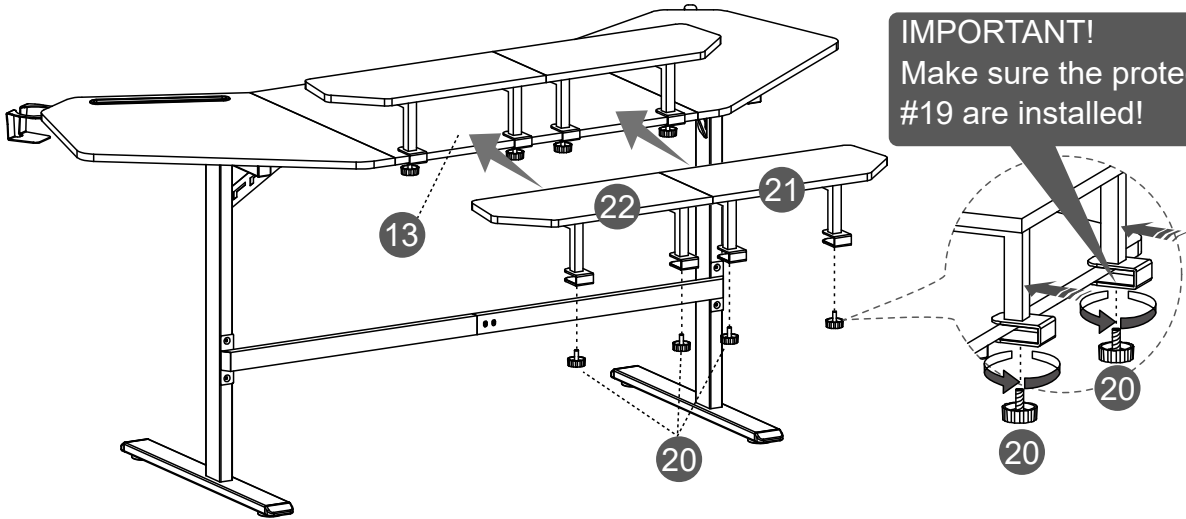
For each of the shelves #21 and #22, attach the supports #18 with screws C, and insert the protectors #19 into the supports.



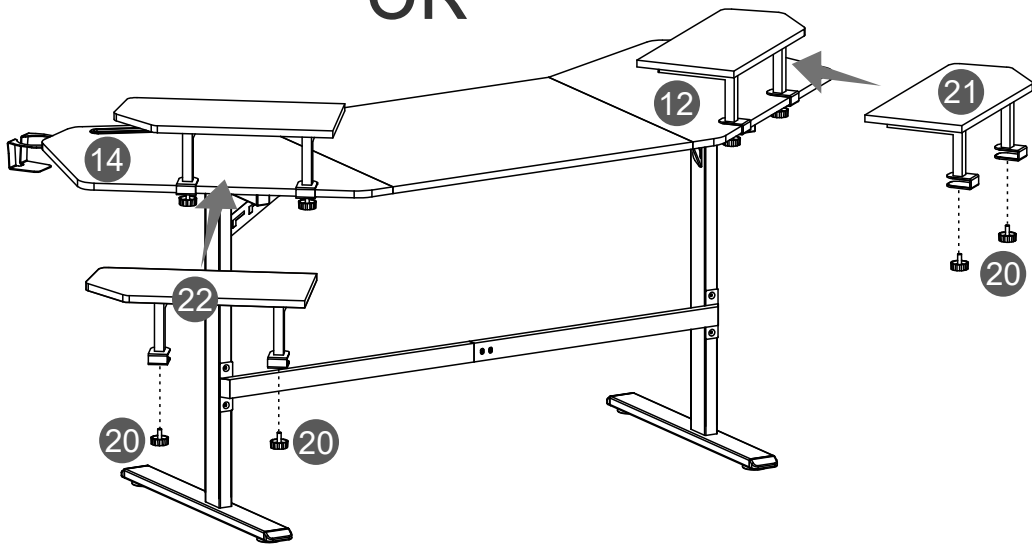
STEP 9

Use the screw knobs #20 to install the shelves #21 and #22 according to your preference. Below are our suggestions, with the unit viewed from behind.

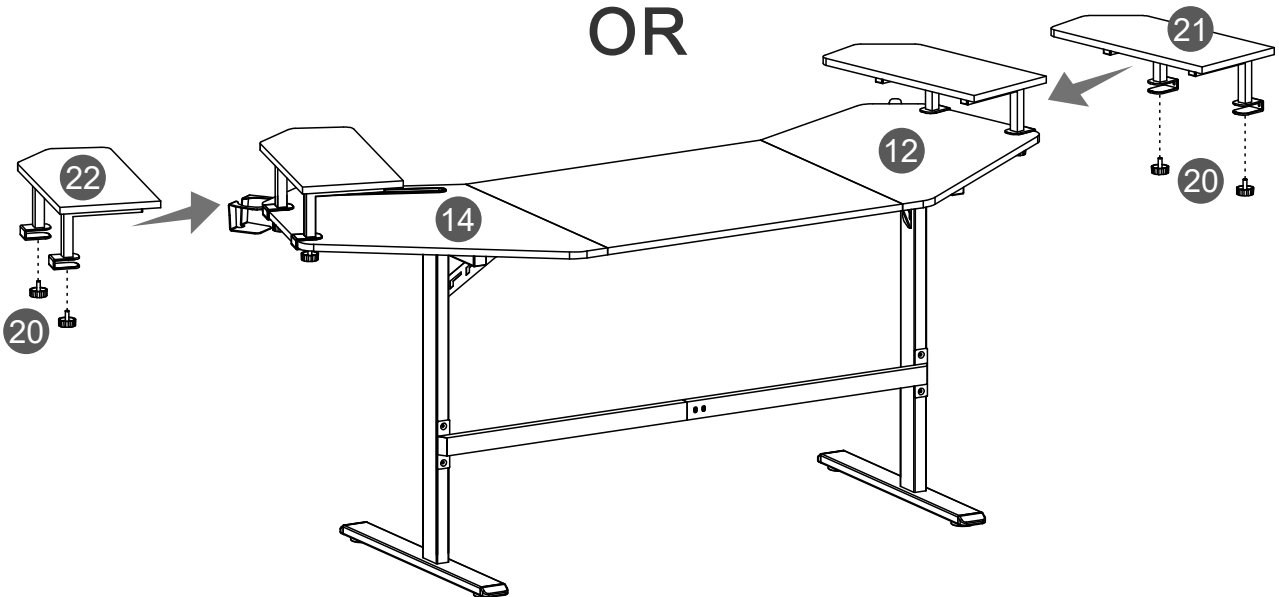
**IMPORTANT!**  
Make sure the protectors #19 are installed!



OR

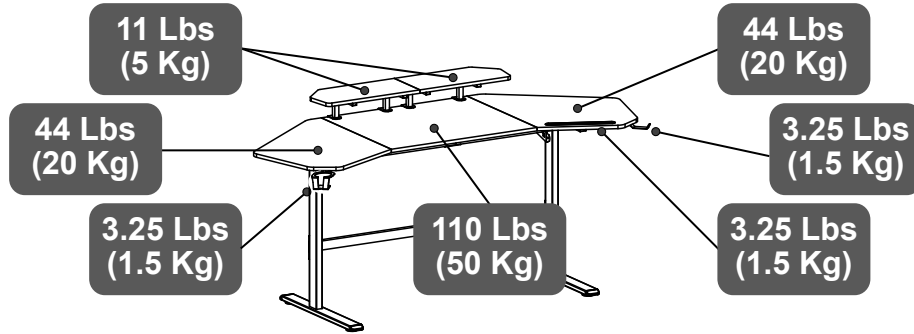


OR

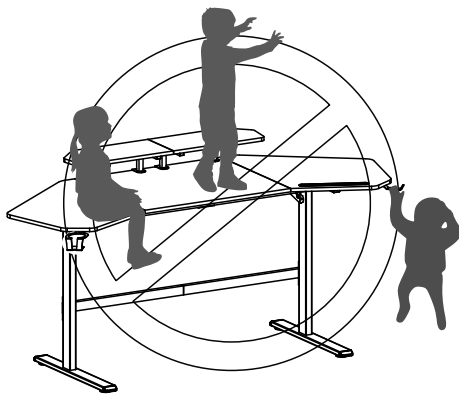


**WARNINGS**  
 Not paying attention to the following warnings could result in injuries.

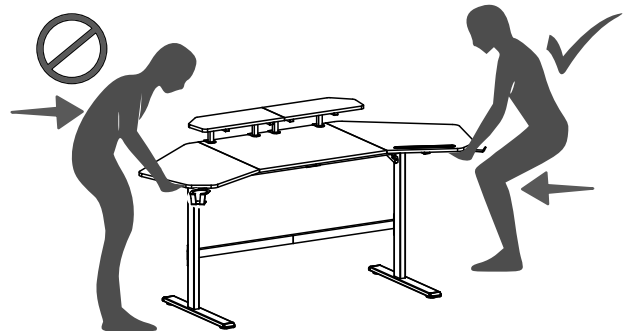
**WEIGHT LIMITS - DO NOT EXCEED**



- Do not sit, climb or stand on the Unit.
- Do not allow children to play over or below the unit.
- Do not let children hang from the accesories.

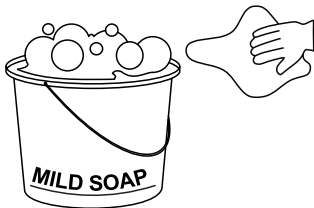


- 2 persons are required for moving the unit at distances longer than 2 feet.
- Remove or secure any objects that are heavy or might fall off during the moving.
- Lift by bending your knees, not your backs.



**CARE AND MAINTENANCE**

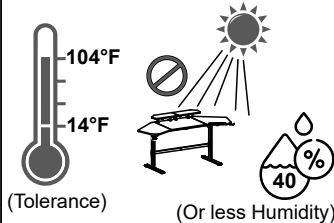
Clean with a cloth lightly dampned in a solution of mild soap and water.



Do not use solvents or abrasive materials.



Do not expose to direct sunlight or extreme enviromental conditions.



Inspect and re-tighten loose screws on the table every 4 months.

