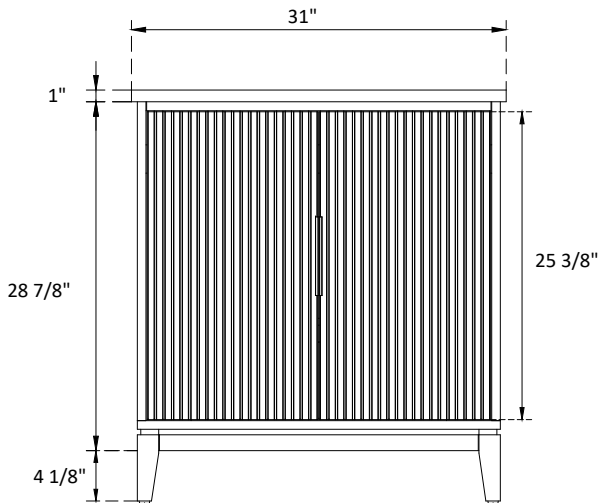
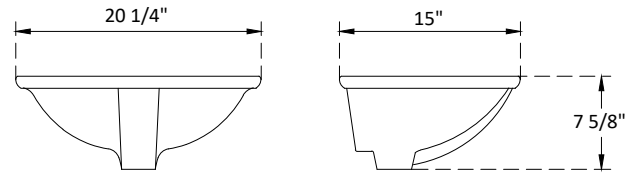
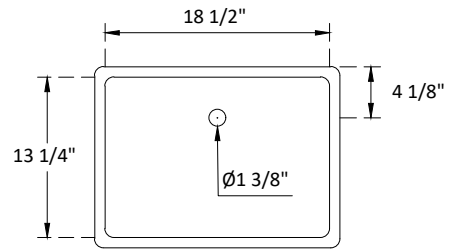
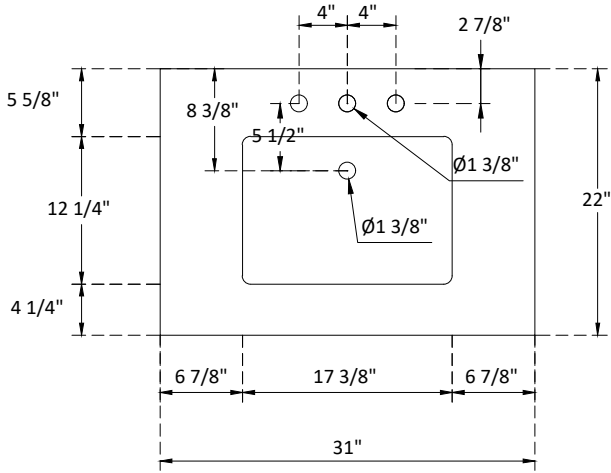


SPECIFICATIONS



Handle:
Overall length : $6\ 1/2"$ (165mm)
center to center : $2\ 7/8"$ (72.5mm)

