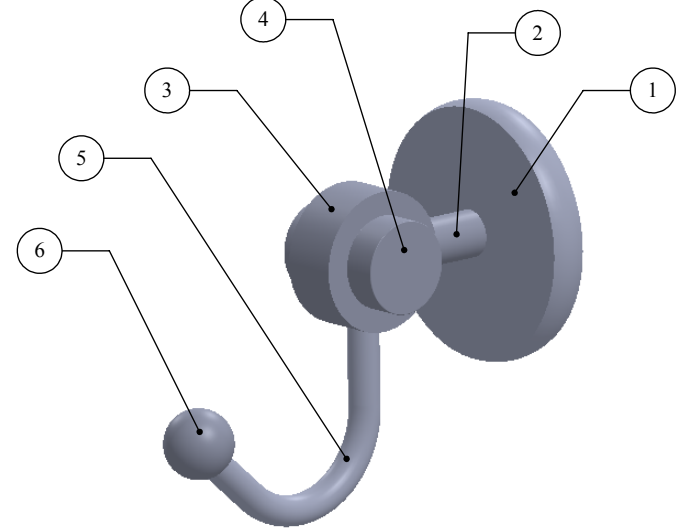
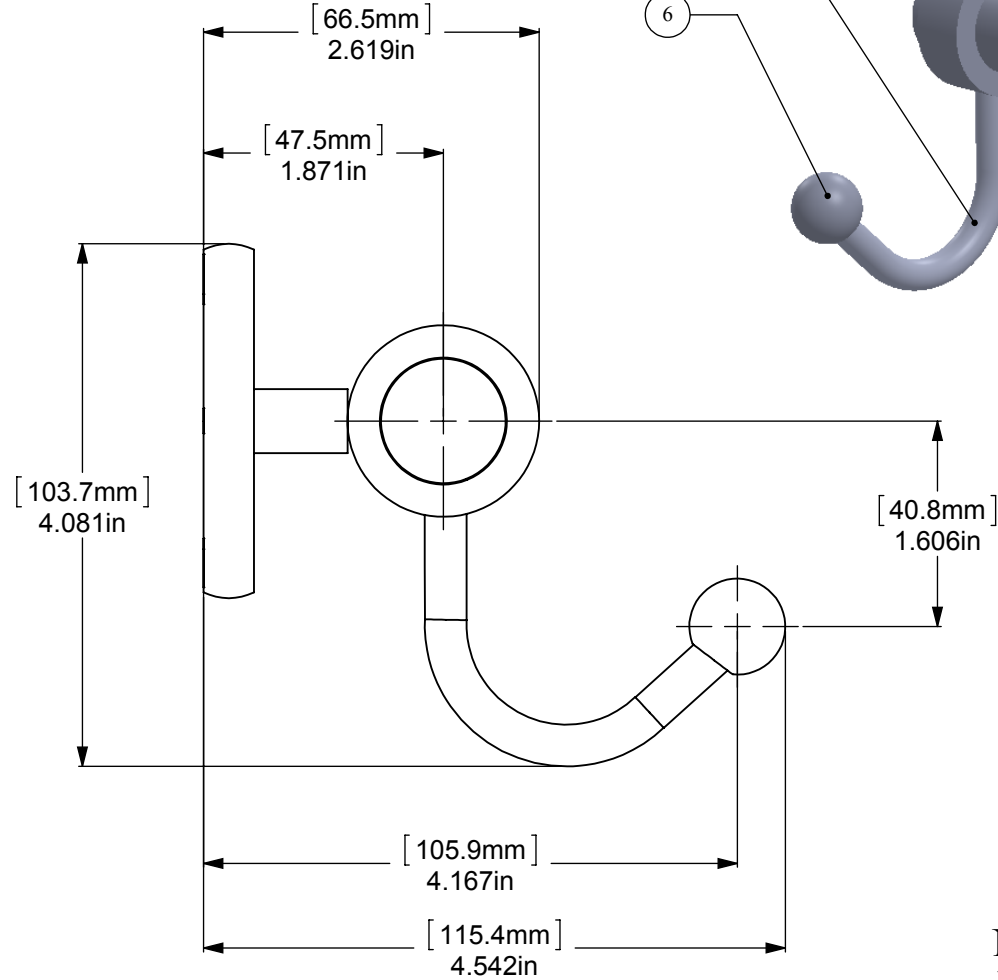
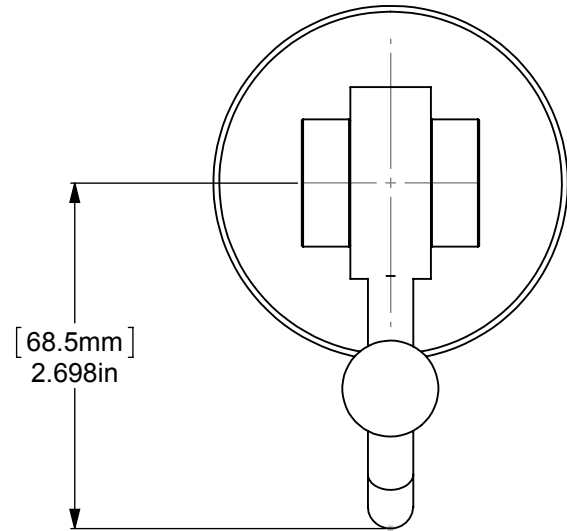
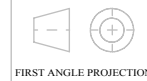


1	BPRD	BASE	1
2	TU12-.75	TUBE	1
3	RGSM D	CONNECTOR	1
4	Card-1	END LOCK	2
5	HKHK	SWINGTUBE	1
6	BL1T-34	BALL	1



**NOTE:**  
1. UNIT IS IN INCHES

UNLESS OTHERWISE STATED		
DO NOT SCALE	X.XXX	+/-0.025
DRAWING	X.XX	+/-0.1
CHAMFER ALL	X.X	+/-0.25
	X	+/-0.75
EDGES 0.5X45		
DRAWING ISO	<b>ANGLES</b>	
	X.XX	+/-0.05*
	X.X	+/-0.1*
	X	+/-0.5*
		3.2/
	MACHINED FINISH	▽



PROJ.ENG	
SAFETY	
APPROVED	R. ANDRIS
FILENAME	7220

ITEM	QTY	DRG/PART NO	CLIENT:
MATERIAL		BRASS	WEIGHT
HEAT TREAT		NA	FINISH
CUSTOMER			TBD
		CUSTOMER No	QUANTITY
			---