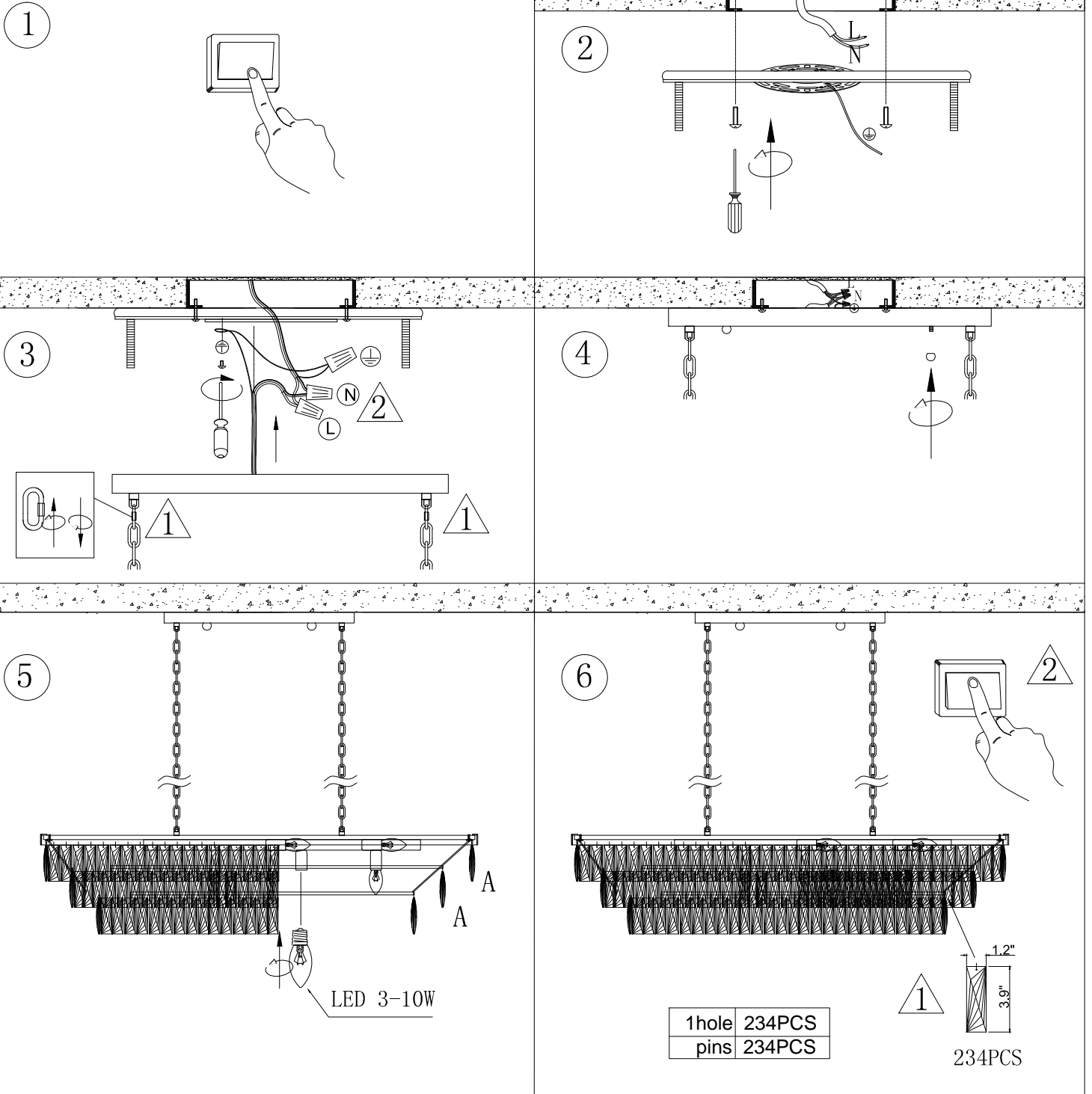


INSTALL INSTRUCTION



- ① turn off the power
- ② Padlock panel
- ③ Connect the power cord
- ④ Locking flower branch fixed ceiling plate
- ⑤ After hanging the lamp holder, lock all light sources
- ⑥ After hanging all the crystals, turn on the switch and turn on the light