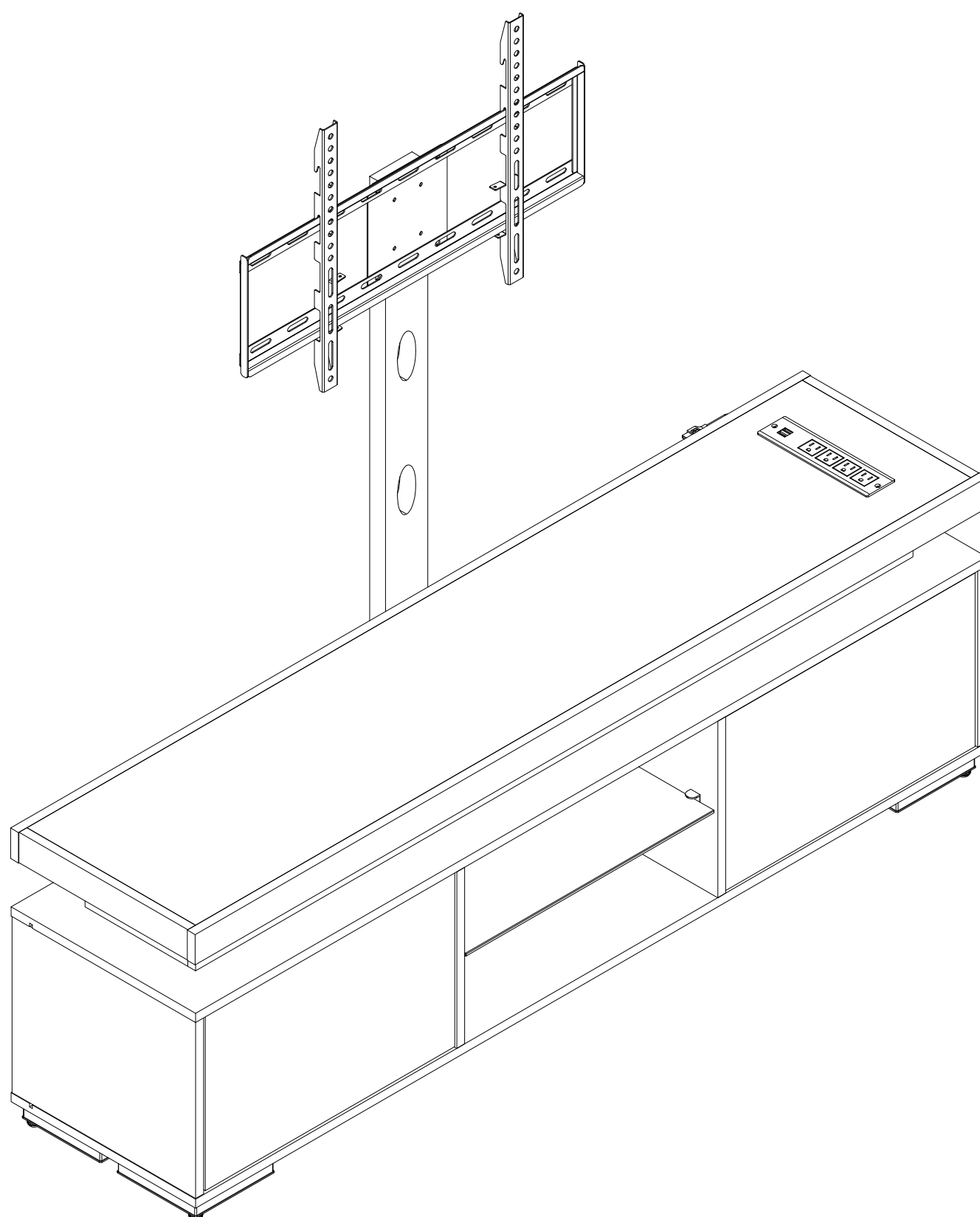
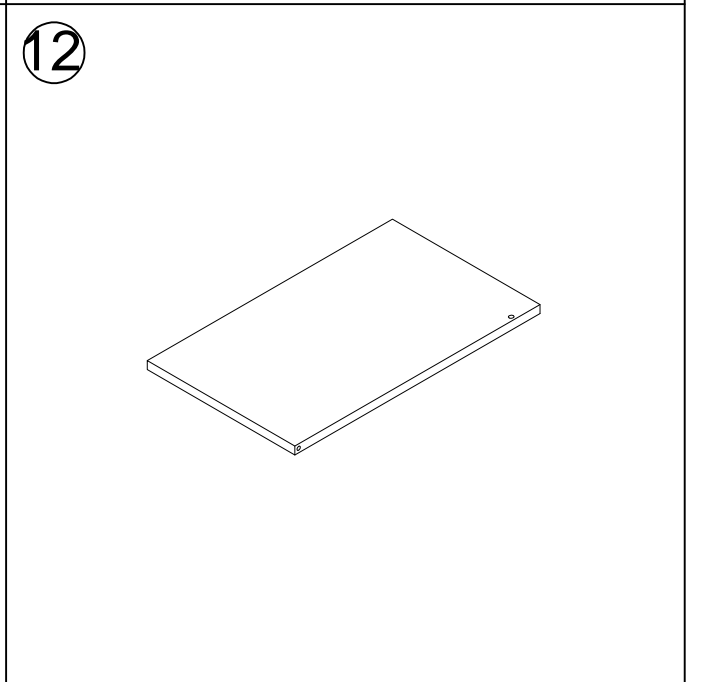
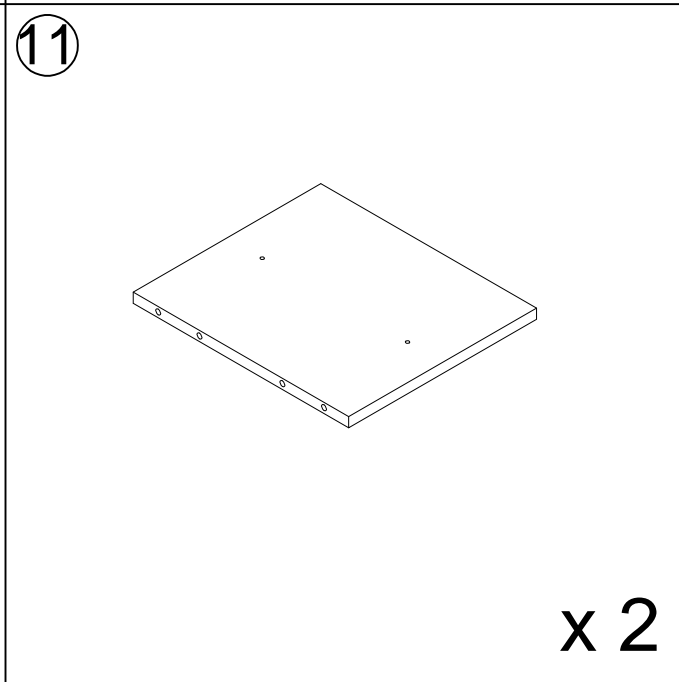
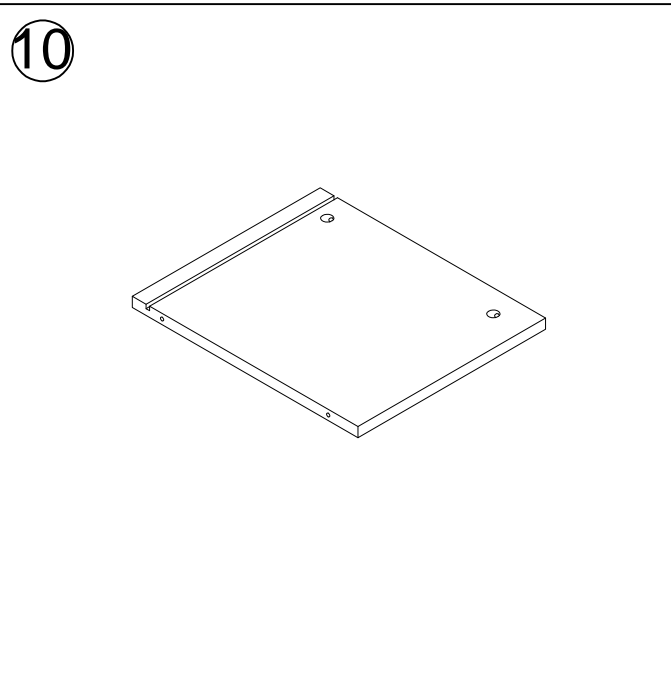
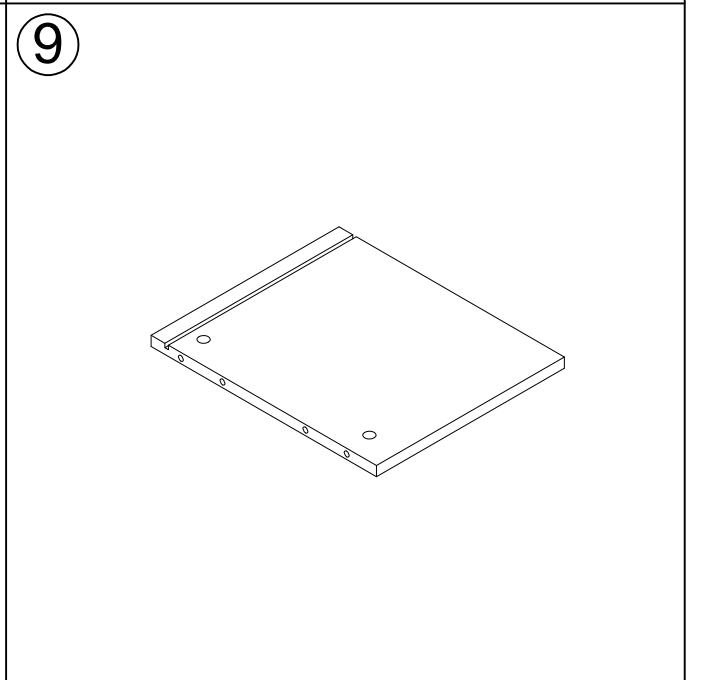
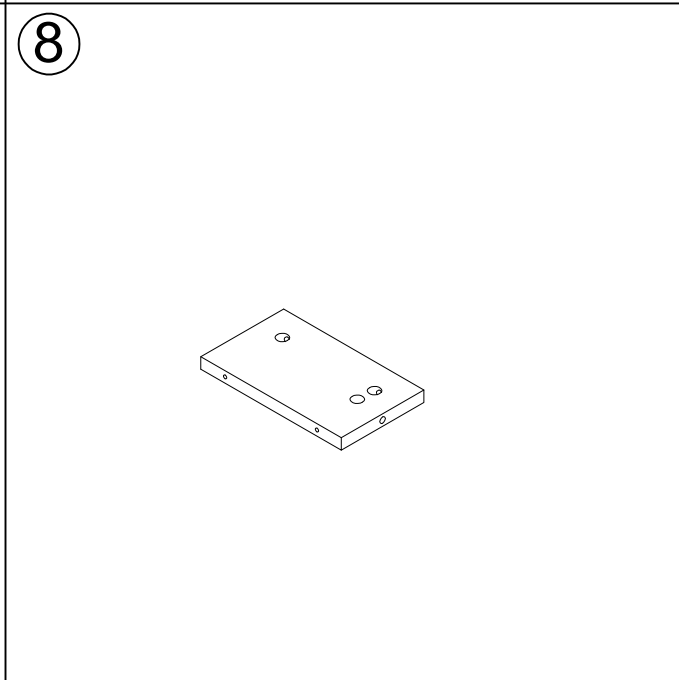
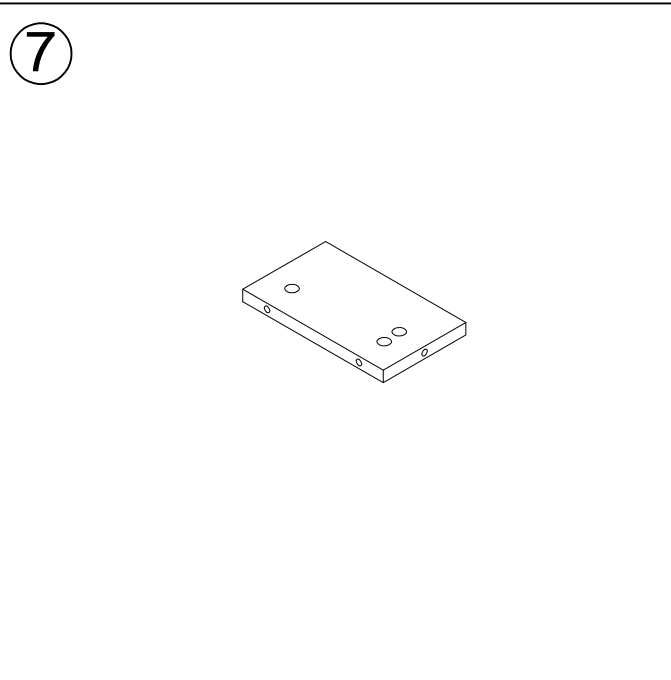
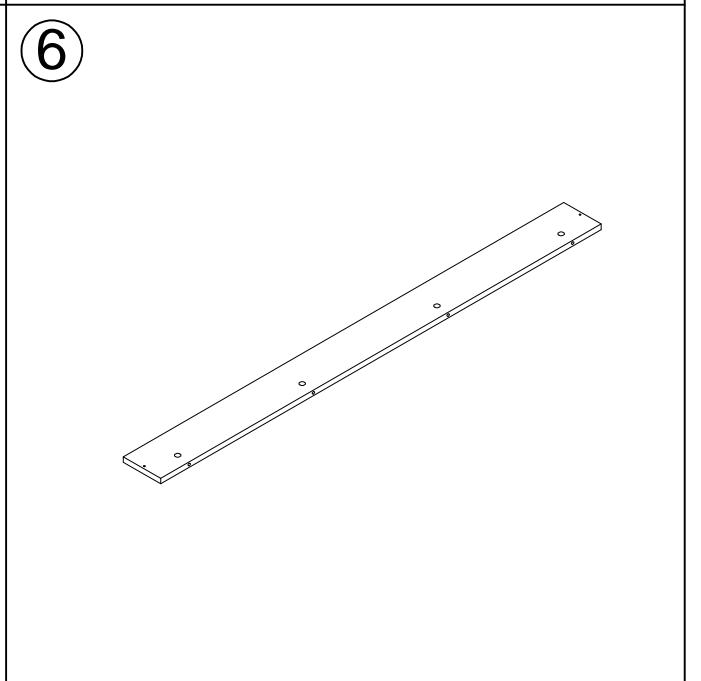
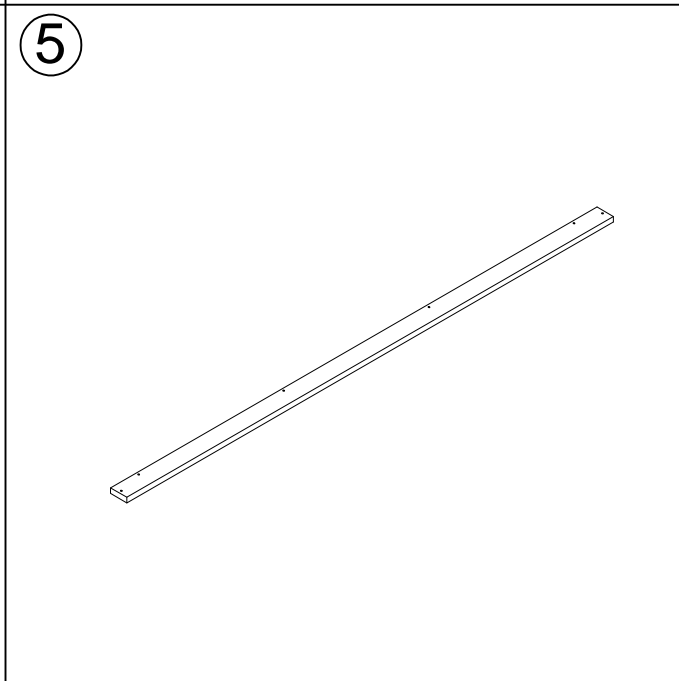
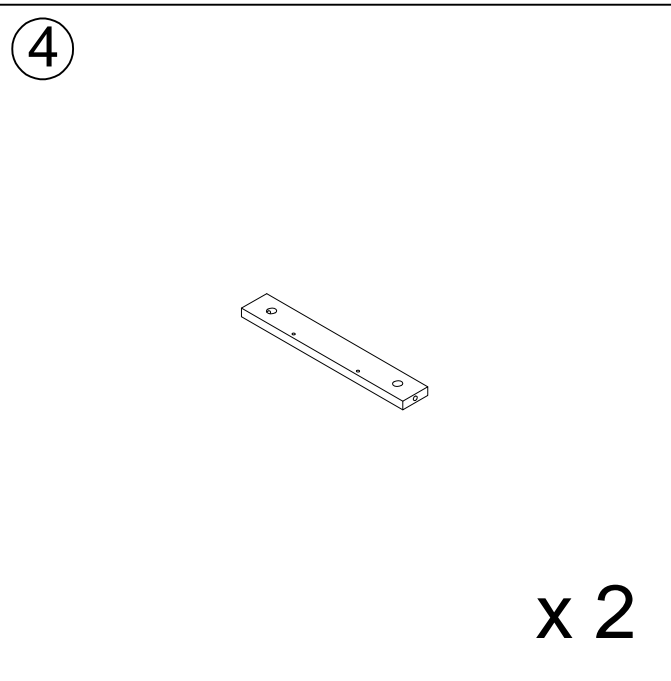
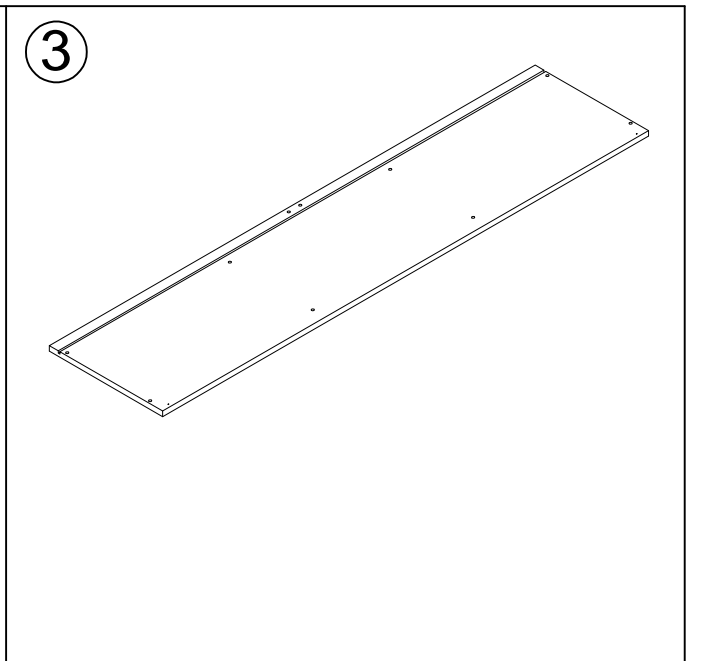
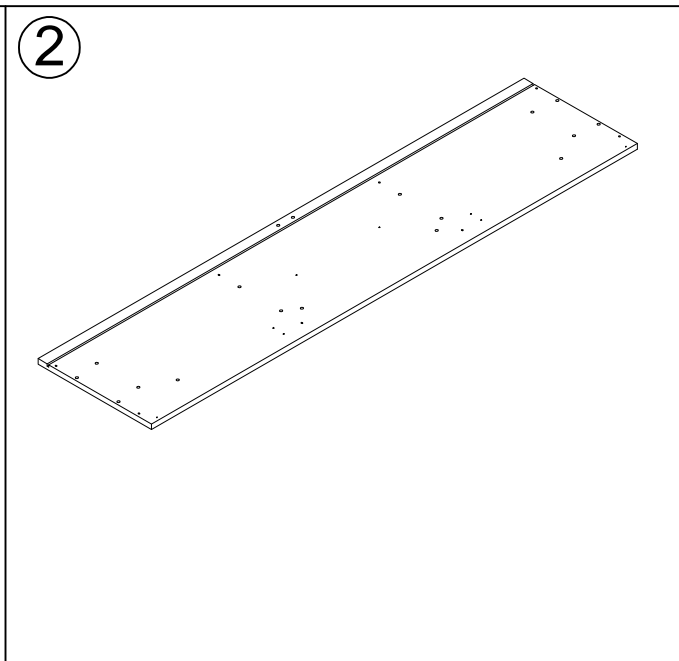
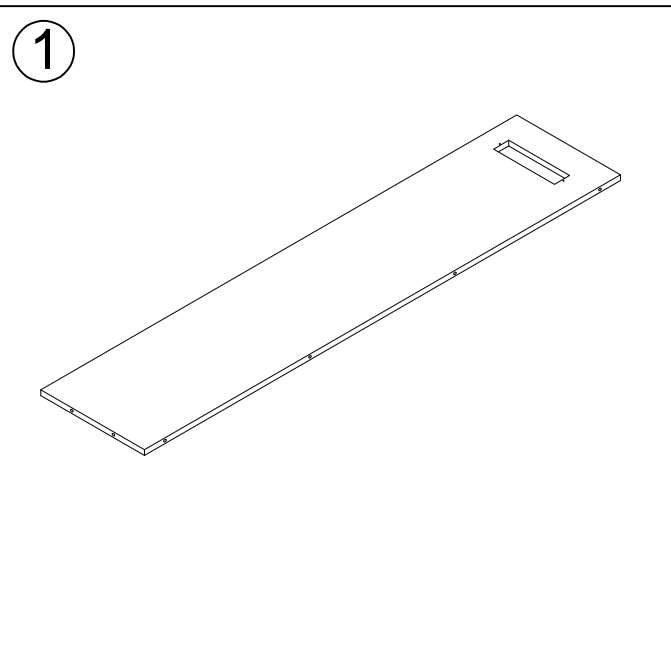


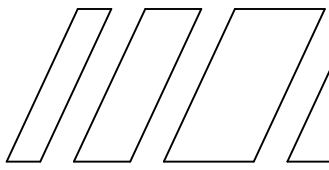
GZPFK-V1

FTLFTS-6113



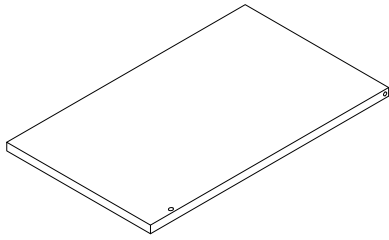
IMPORTANT,RETAIN FOR FUTURE REFERENCE:READ CAREFULLY.



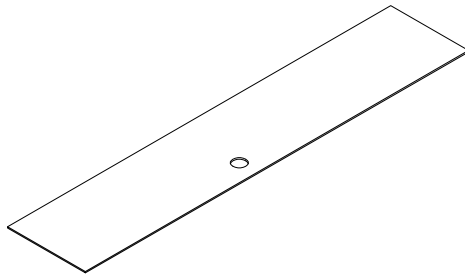


FTLFTS-6113

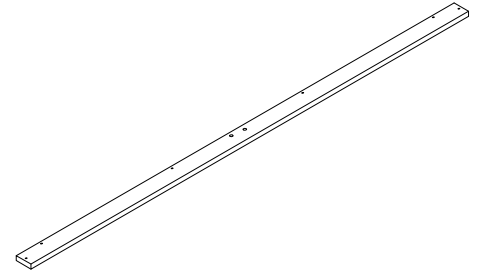
13



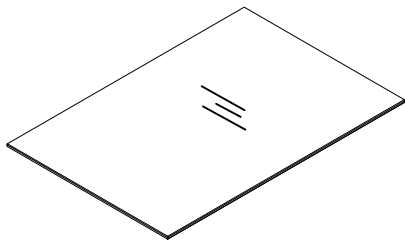
14



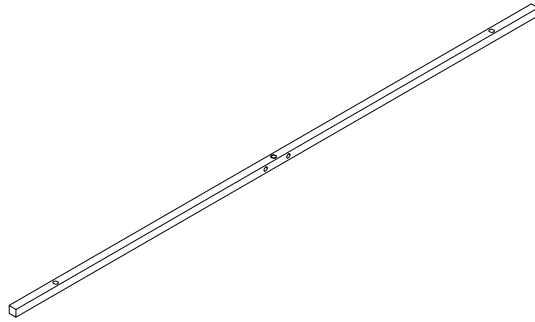
15



16

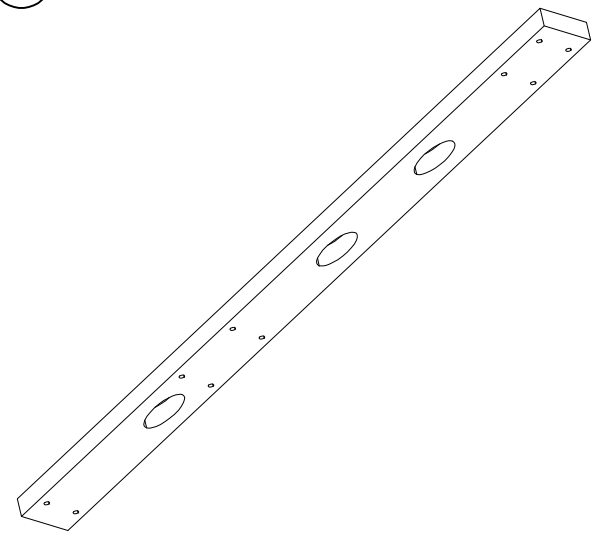


17

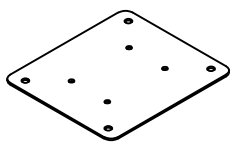


x 2

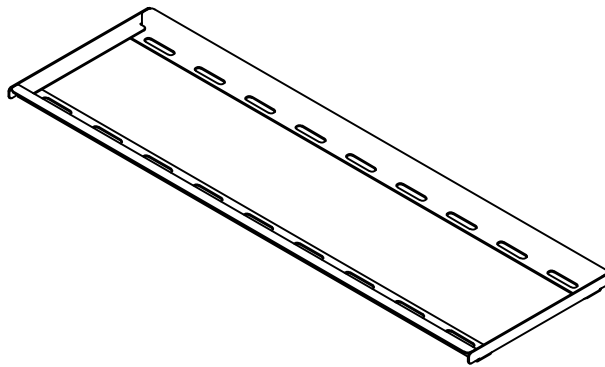
18



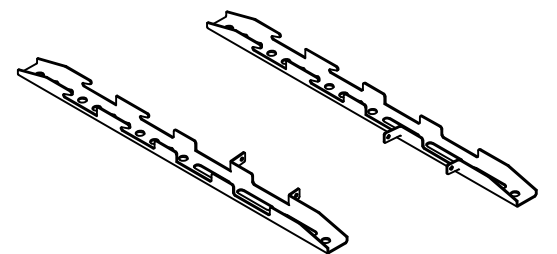
19



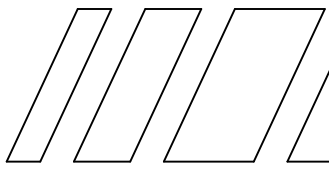
20




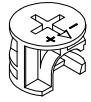




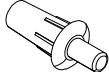
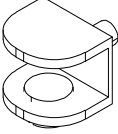
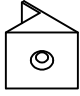
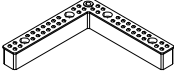
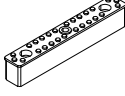
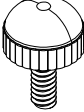

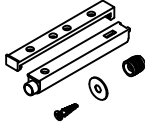
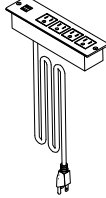

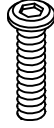
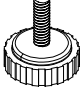
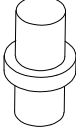
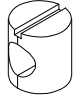






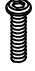


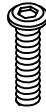

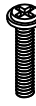




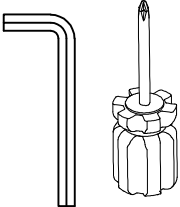
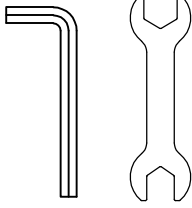
21



1 SET



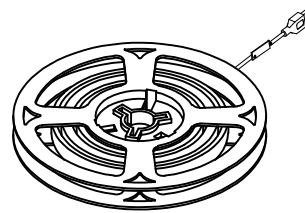
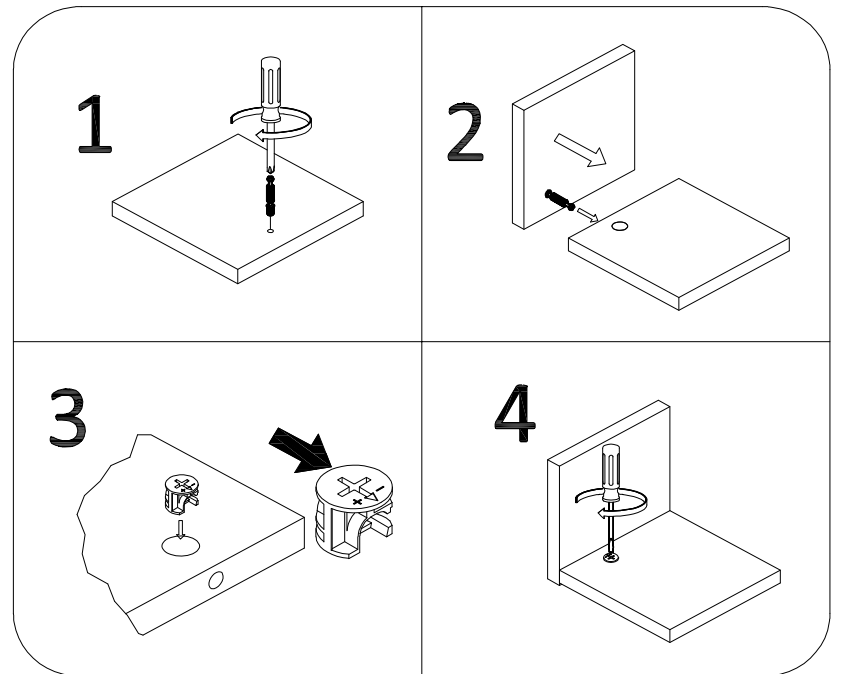
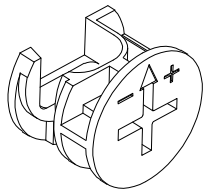
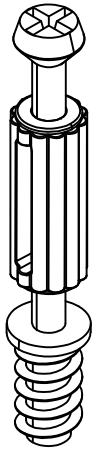
FTLFTS-6113

A M5X42  34 PCS	B Ø15X12  34 PCS	C M7X50  16 PCS	D M3.5X14  24 PCS	E Ø8X40  8 PCS	F M3.5X30  18 PCS	G  2 PCS
H  4 PCS	I  8 PCS	J  4 PCS	K  1 PCS	L  5 PCS	M  10 PCS	N  2 SETS
O  1 PCS	P  1 PCS	Q M6x25  10 PCS	R M6  1 PCS	S  2 PCS	T M6  4 PCS	U M6x55  4 PCS
V M6x70  2 PCS	W M6  2 PCS	X M8x12  4 PCS	Y M6x40  4 PCS	AA M4X12  4 PCS	BB M5X25  4 PCS	CC M5X35  6 PCS
DD M6X35  4 PCS	EE M8X25  4 PCS	FF M8X35  4 PCS	GG M4X30  4 PCS	HH Φ16XΦ10X20  4 PCS	II Φ18XΦ8X10  4 PCS	JJ M8X2.0/Φ20  4 PCS
		KK M6X1.2/Φ16  4 PCS	4# 	5# M6 		

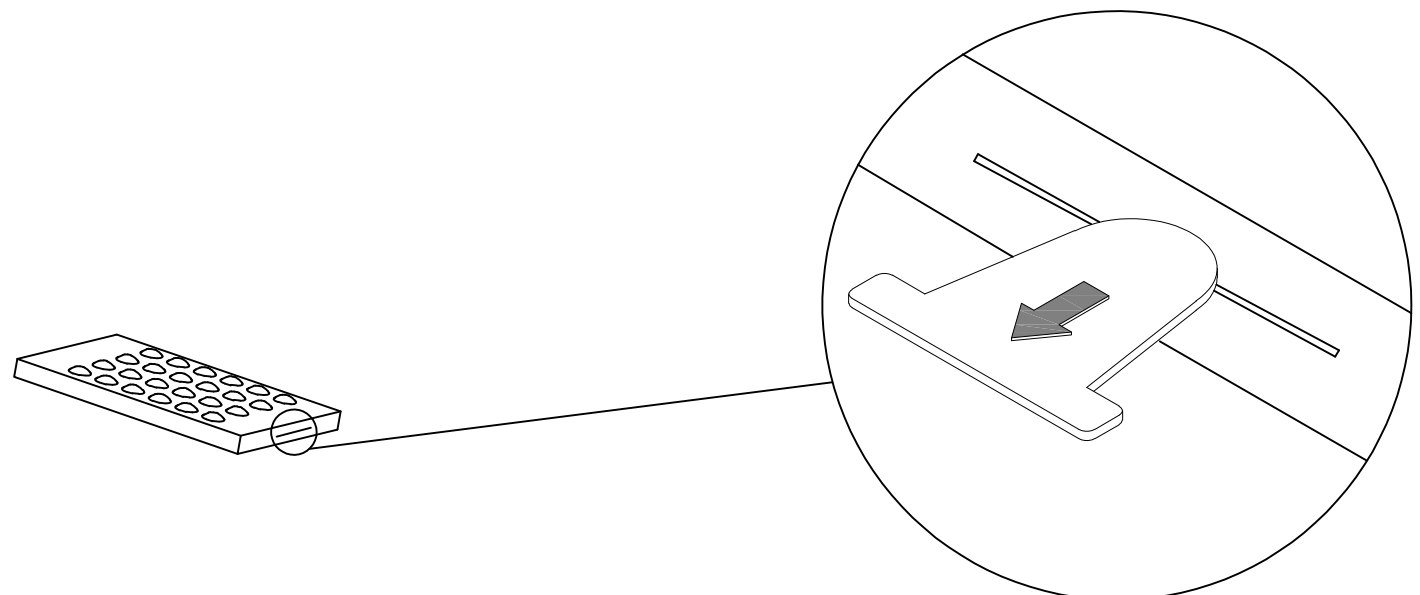
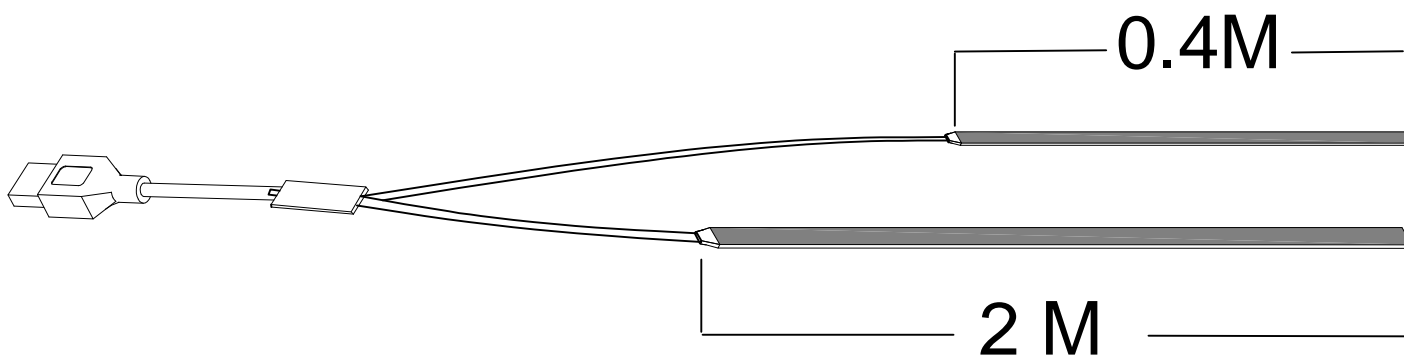
FTLFTS-6113

Cam Lock Fastening System

This Cam Lock Fastening System will be used throughout the assembly process



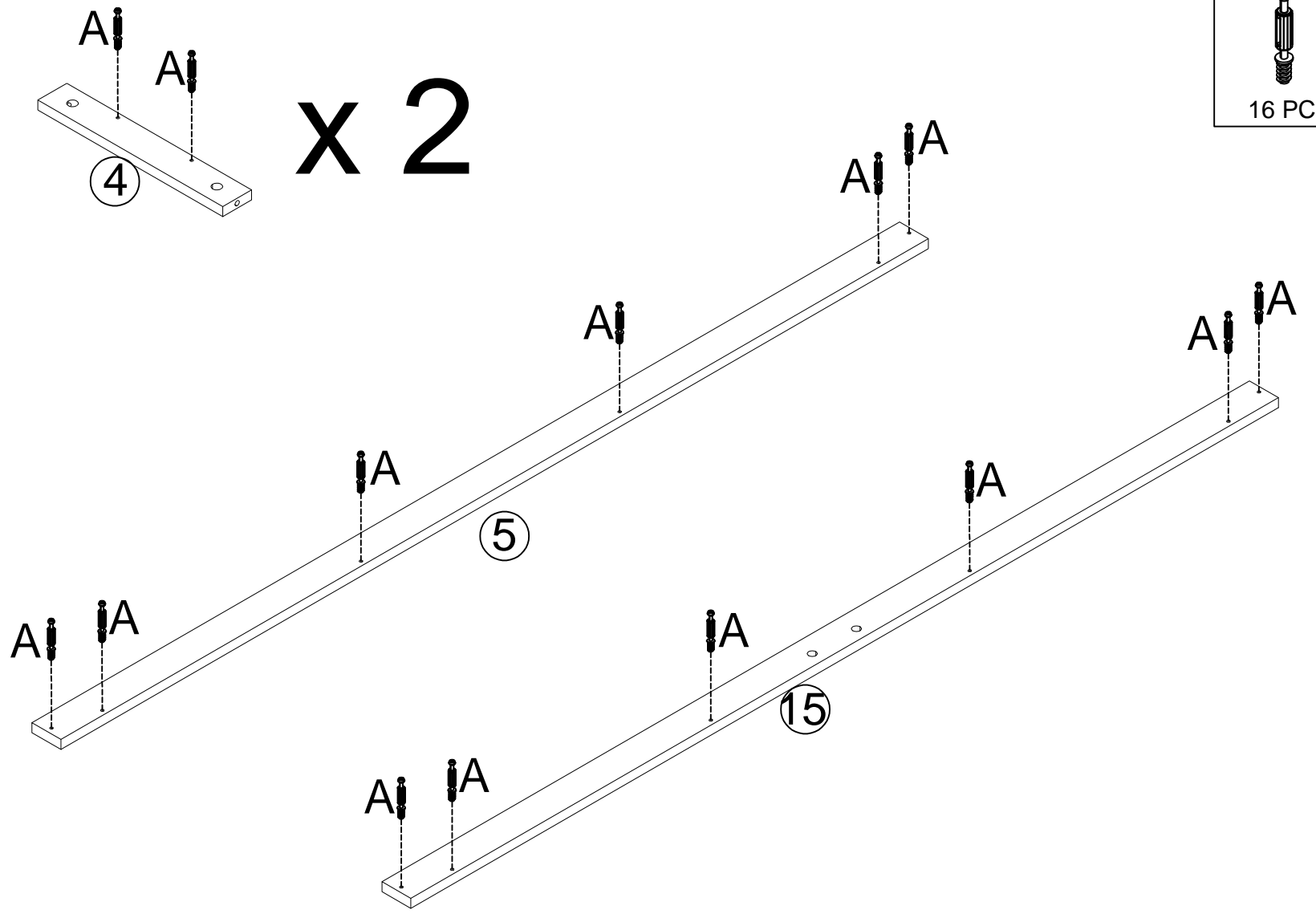
P



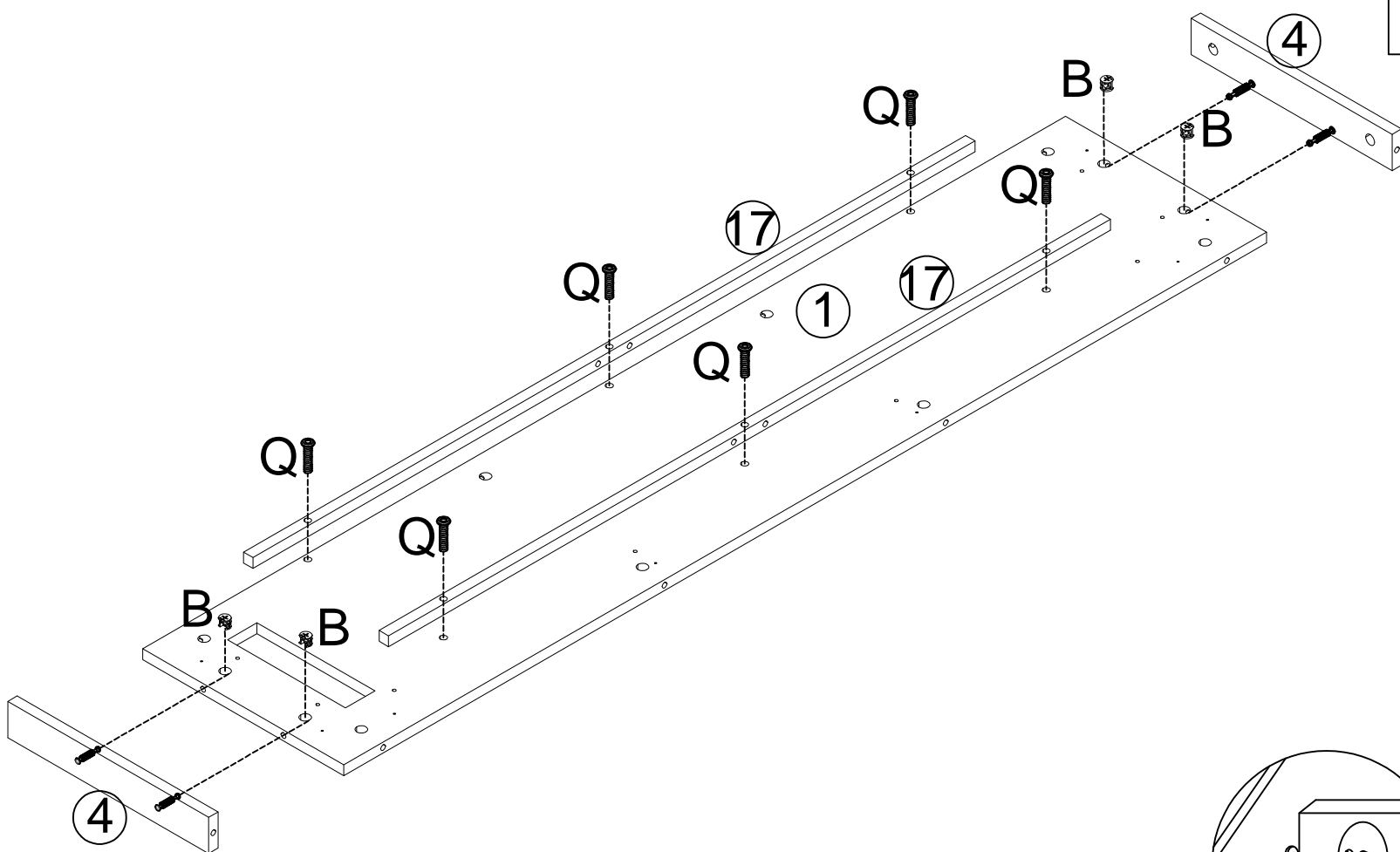
Remove the plastic piece before using the remote .
Read the manual for the remote control .

FTLFTS-6113

1



2



B

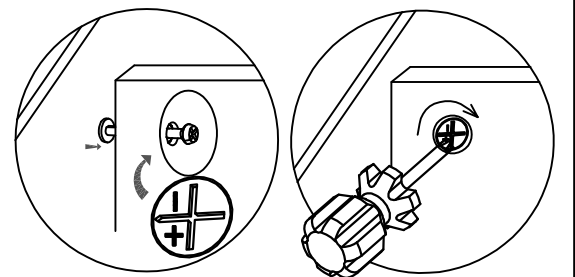


4 PCS

Q



6 PCS



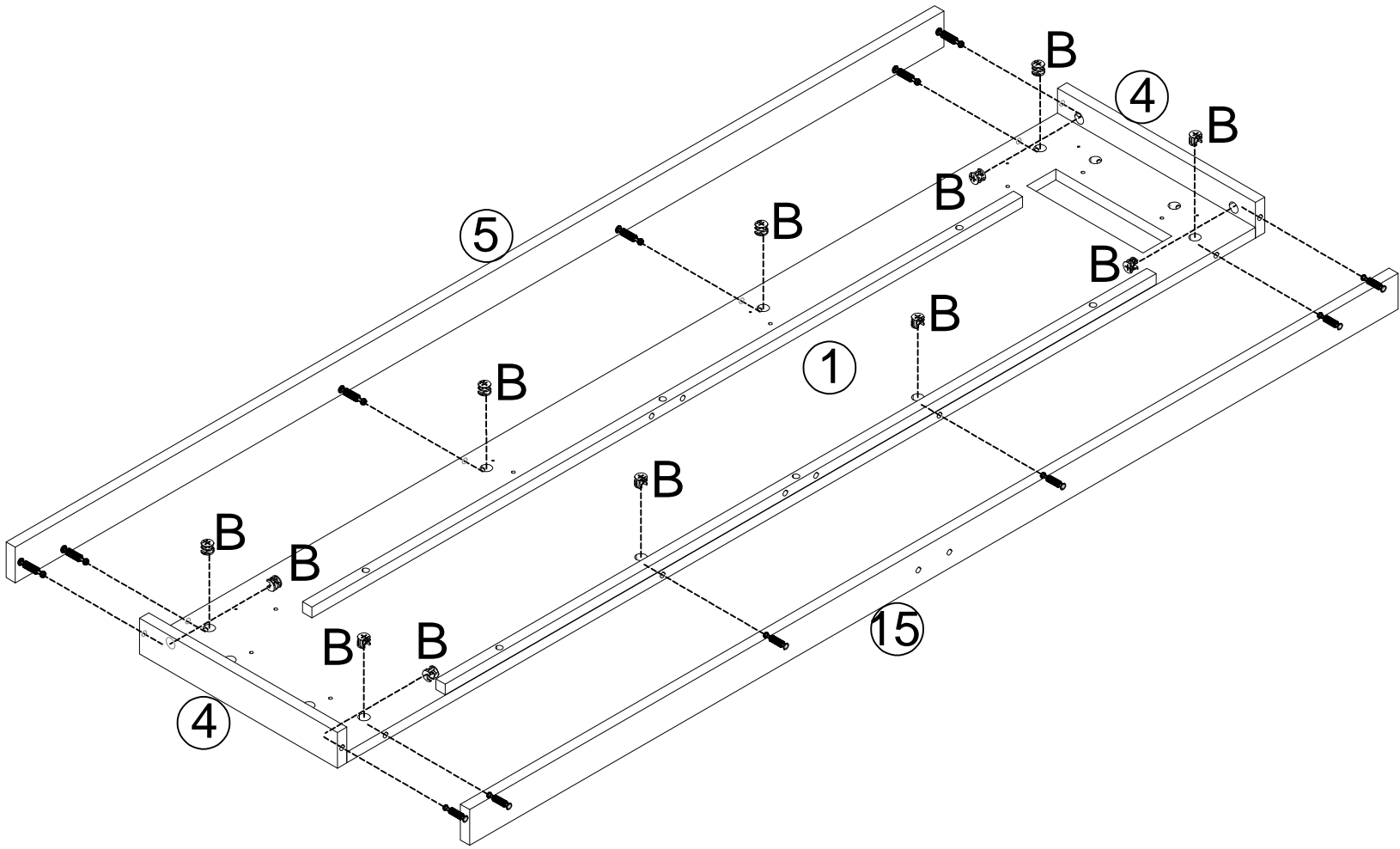
FTLFTS-6113

3

B



12 PCS



4

A

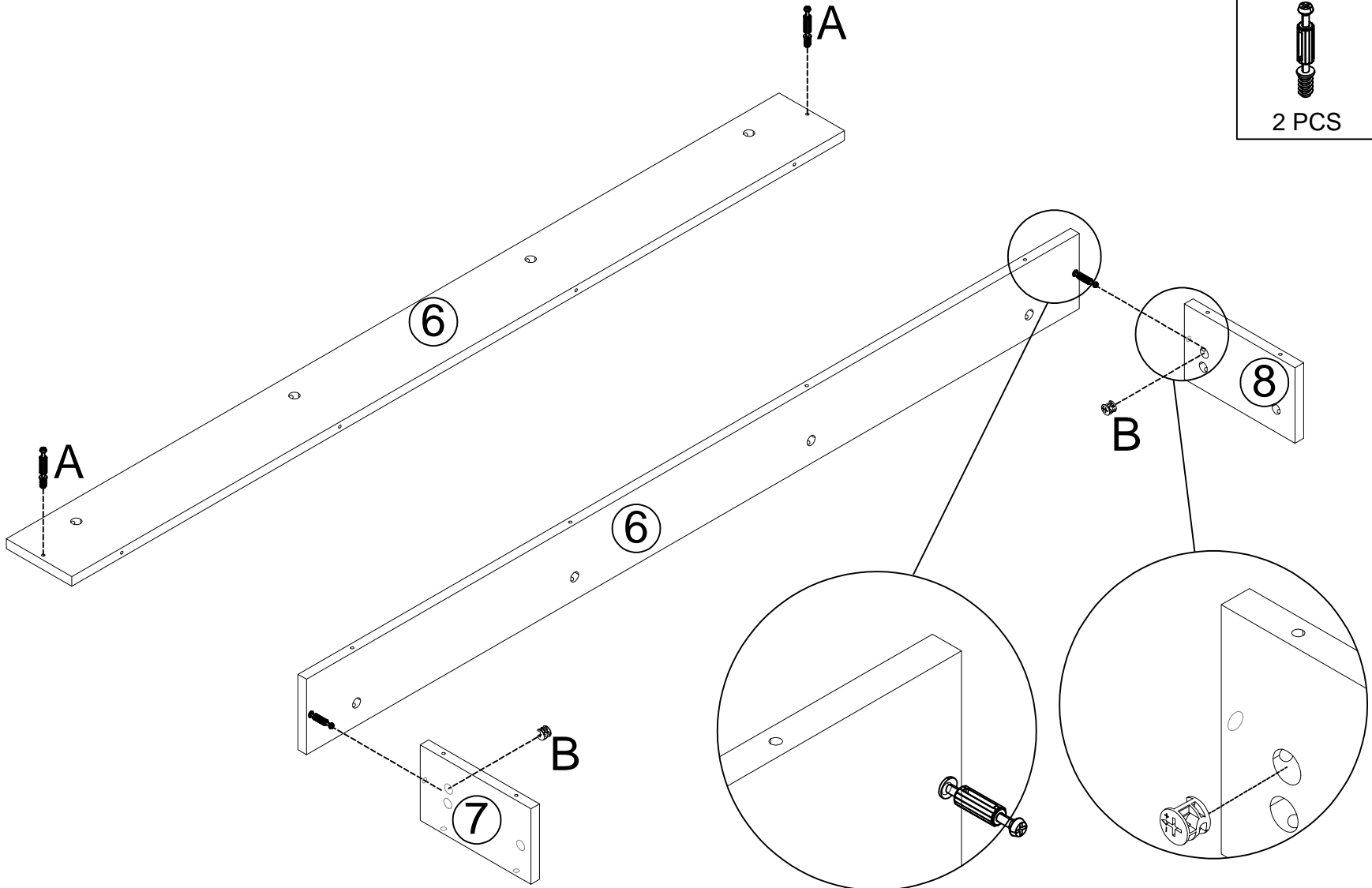
B



2 PCS



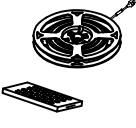


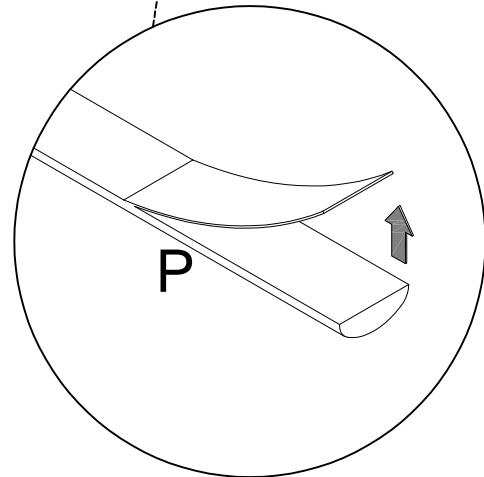
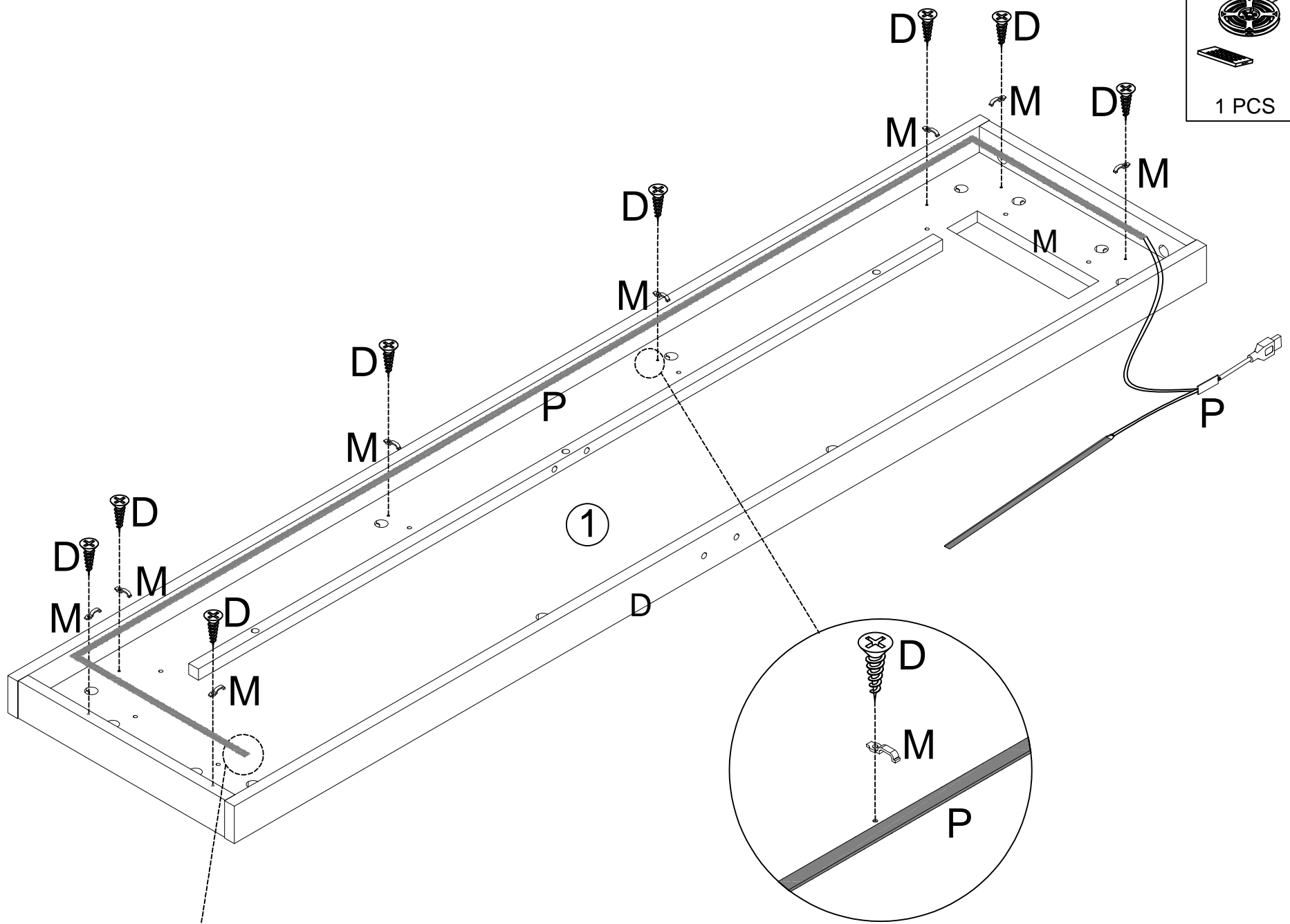
2 PCS



FTLFTS-6113

5

D	M
	
8 PCS	8 PCS
P	
	
1 PCS	



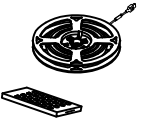
Tear off the tape and apply it to the plate, Then press it firmly with your hand

Method 1 for Installing LED Light Strip

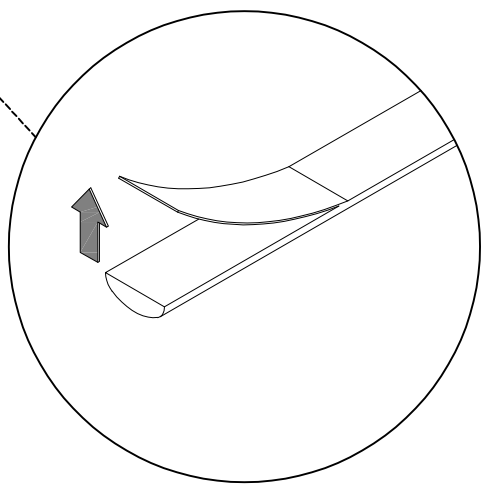
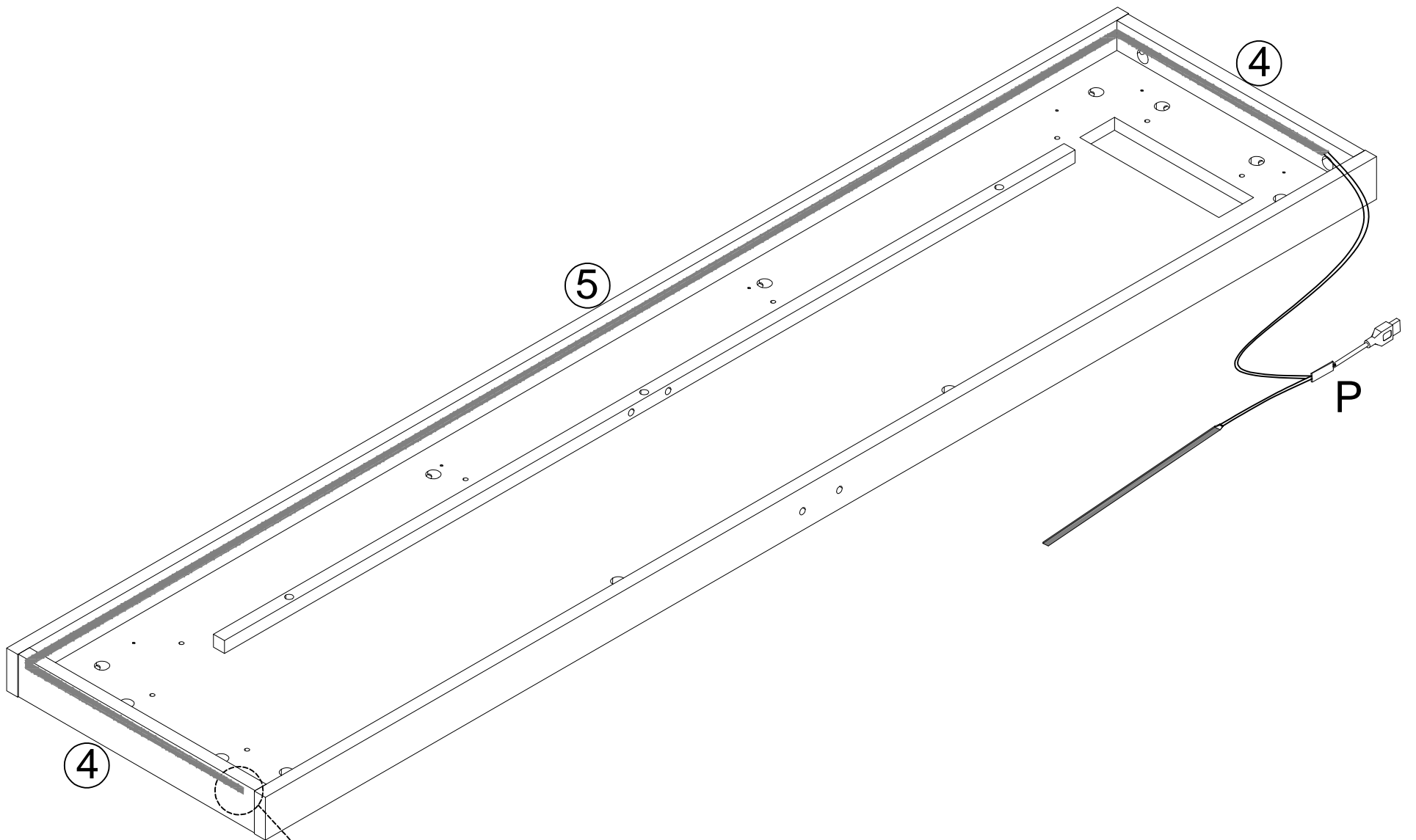
FTLFTS-6113

6

P

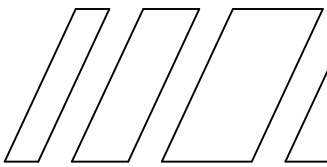


1 PCS



Tear off the tape and apply it to the plate, Then press it firmly with your hand

Method 2 for Installing LED Light Strip



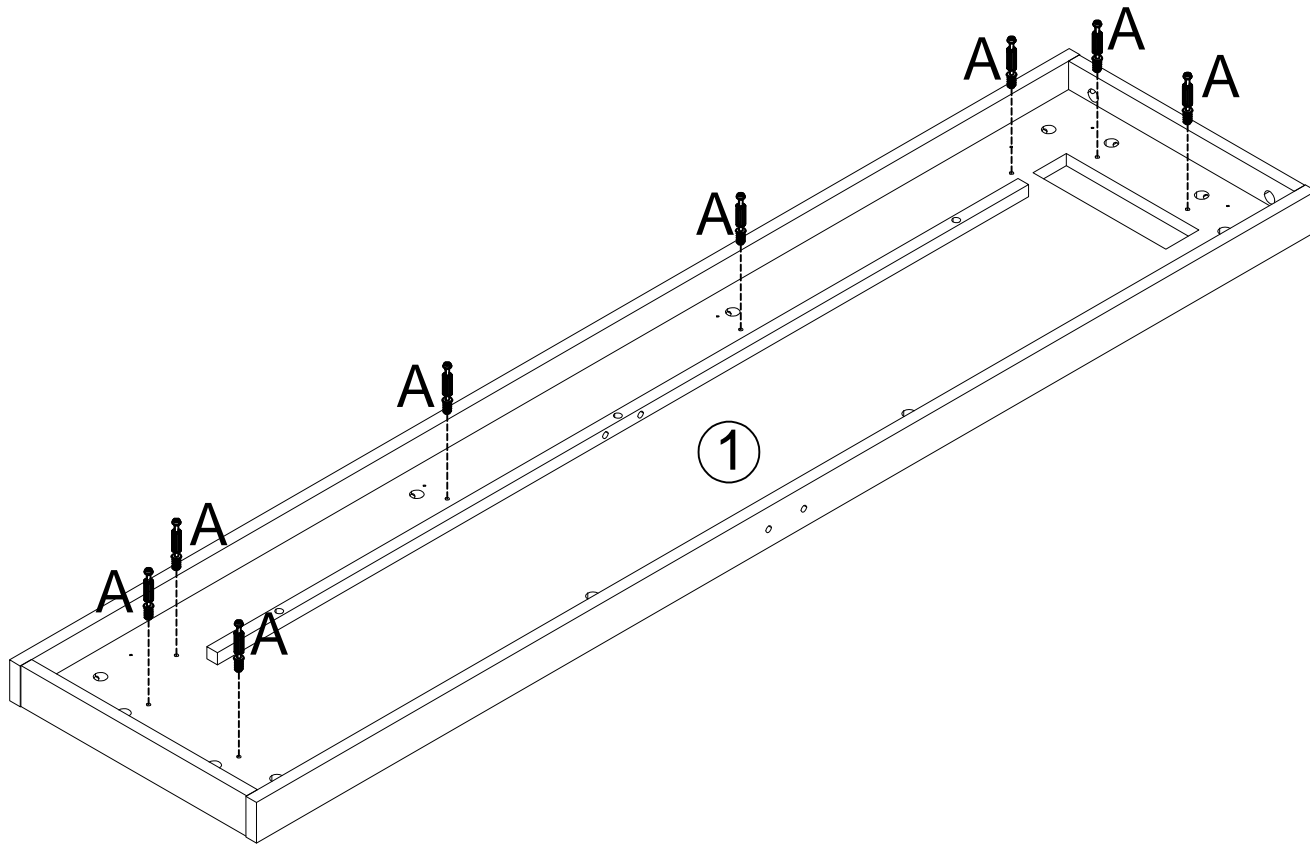
FTLFTS-6113

7

A



8 PCS

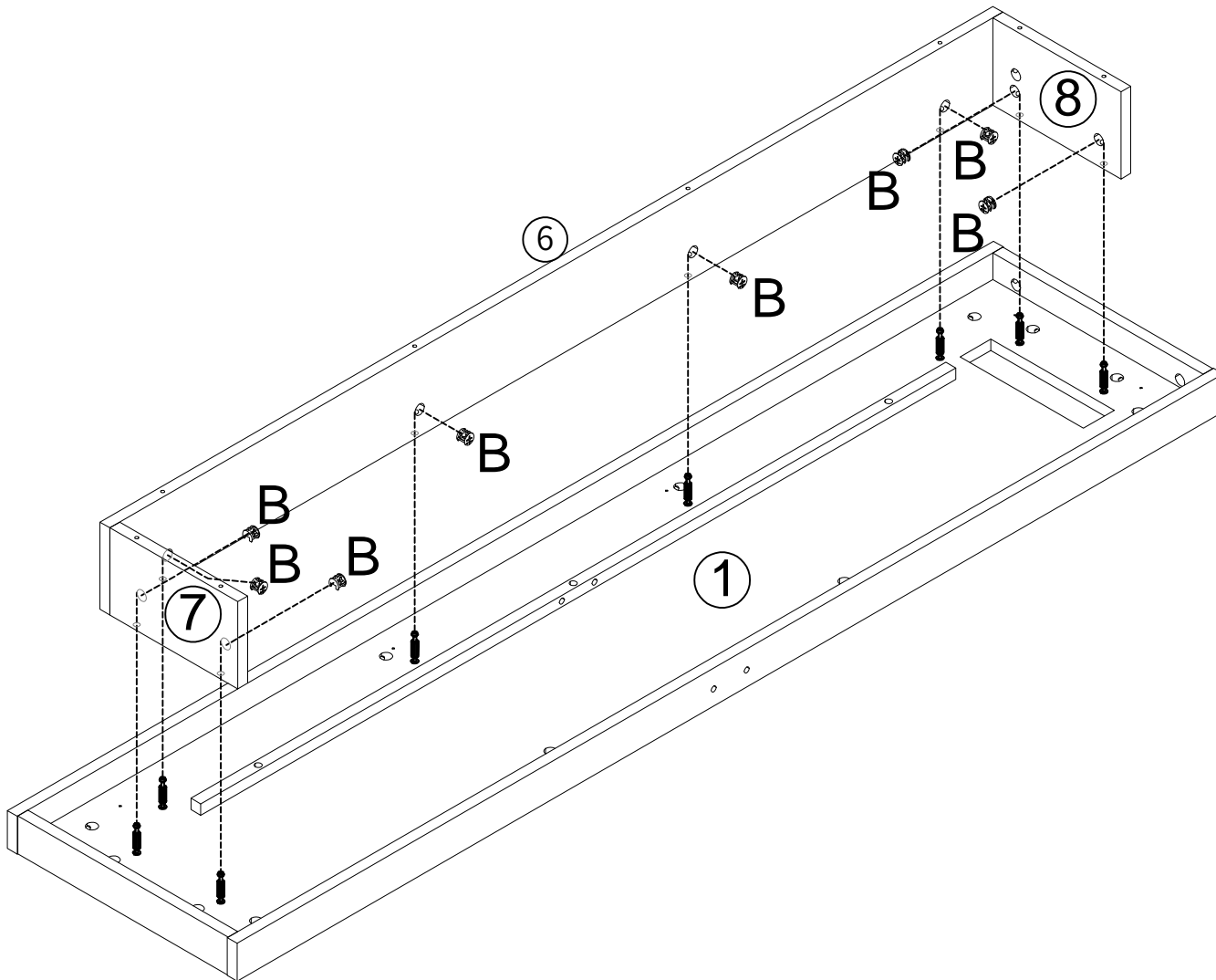


8

B

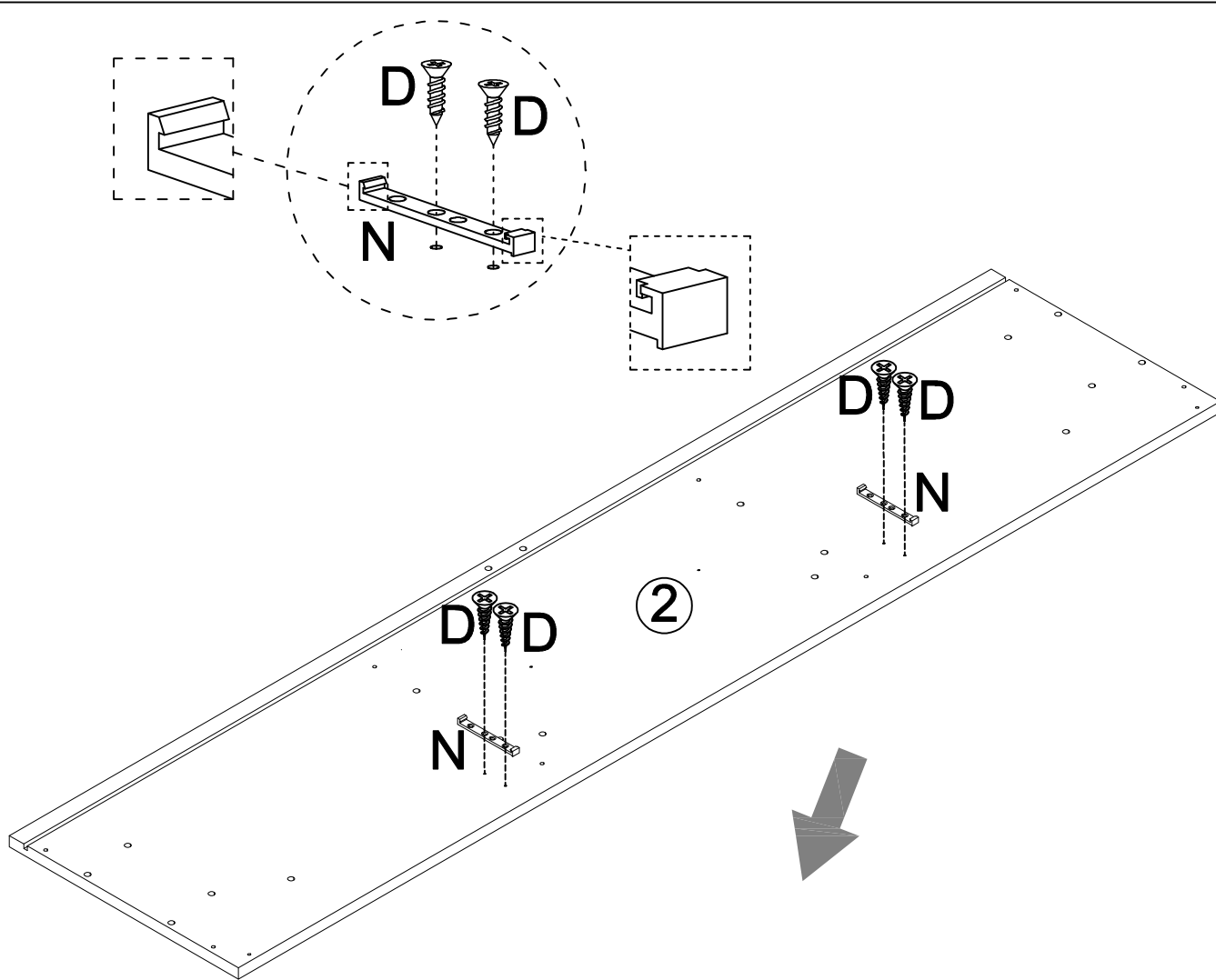


8 PCS



FTLFTS-6113

9

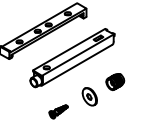


D

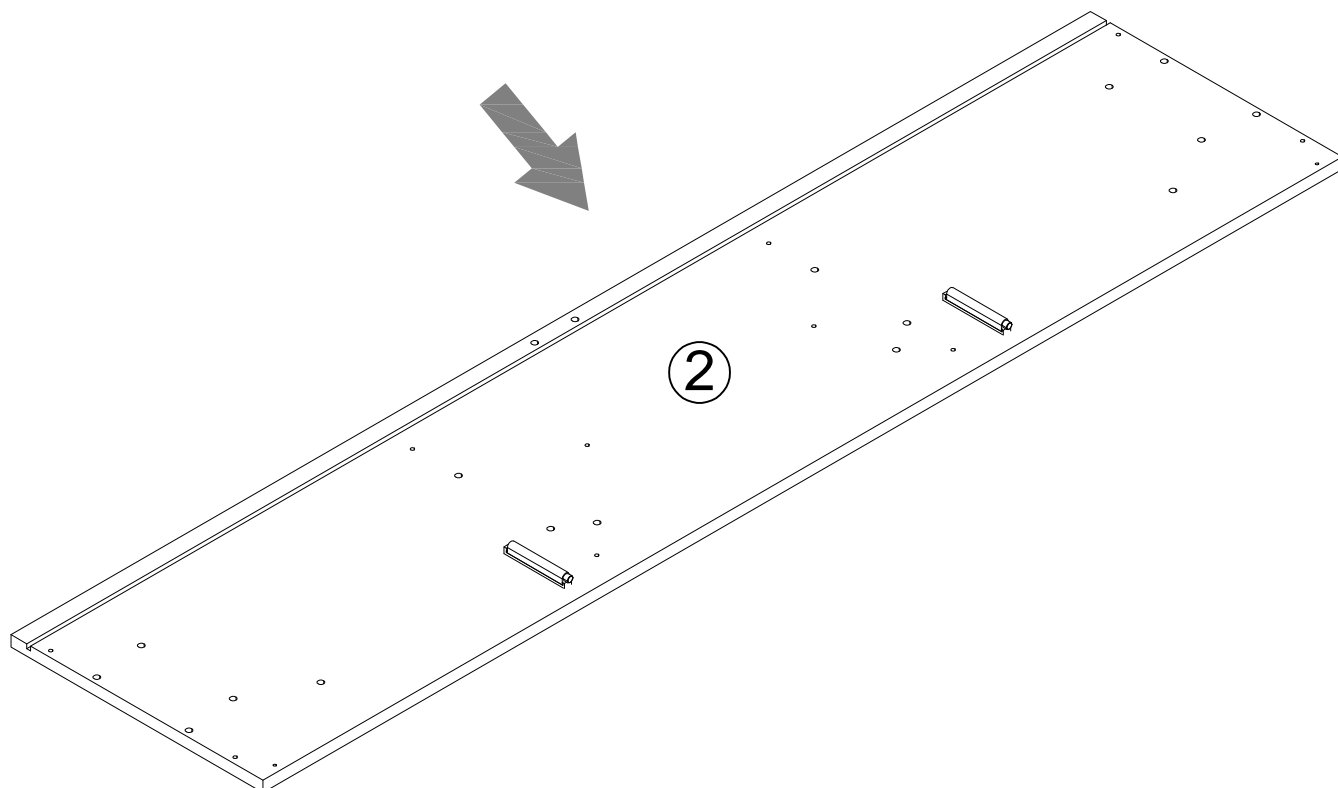
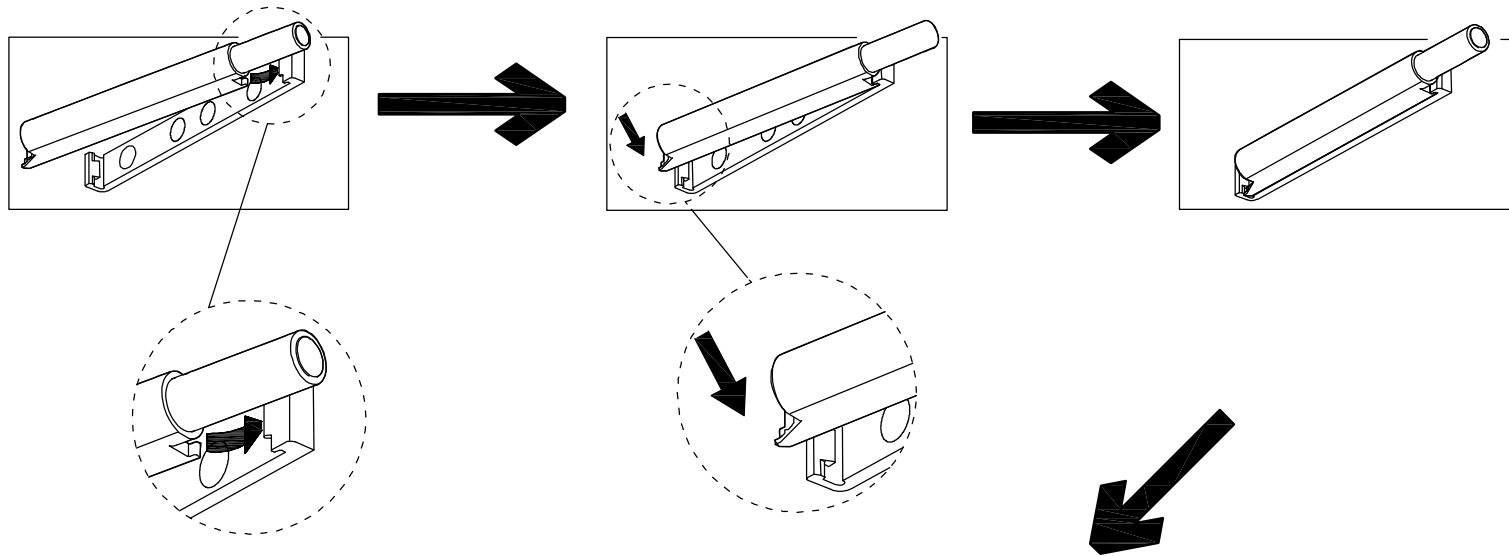


4 PCS

N

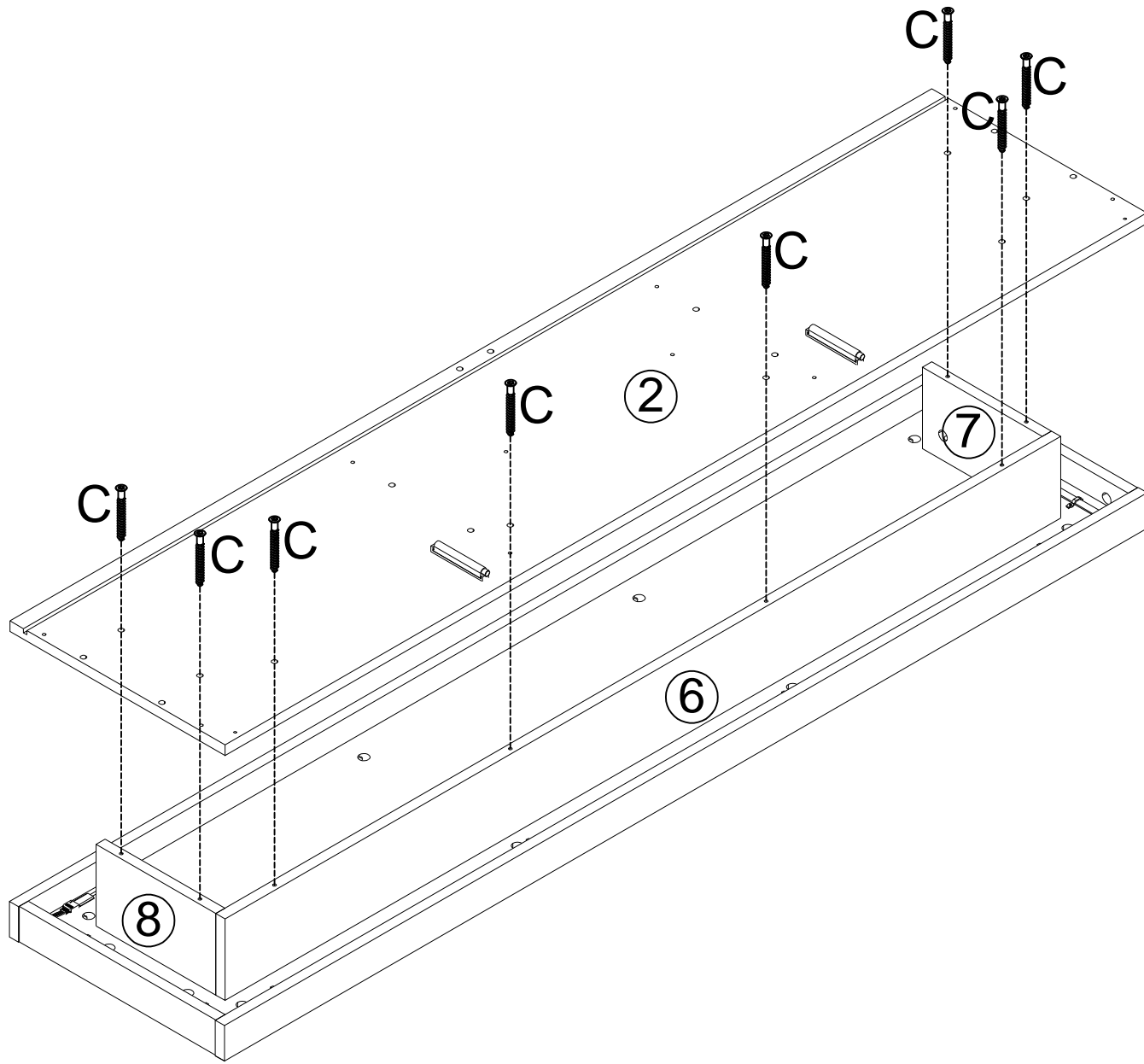


2 SETS



FTLFTS-6113

10

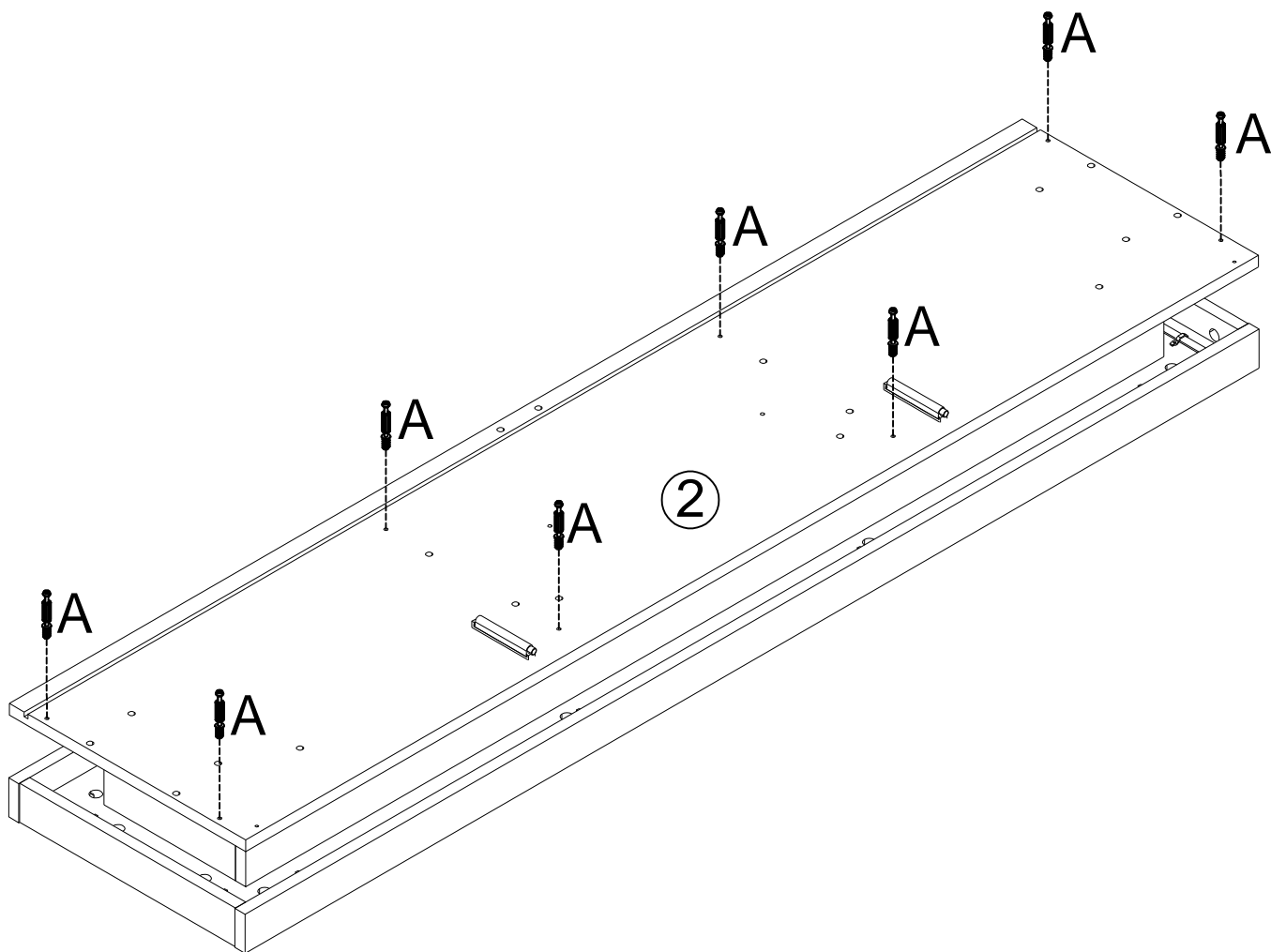


C



8 PCS

11



A



8 PCS

FTLFTS-6113

12

B

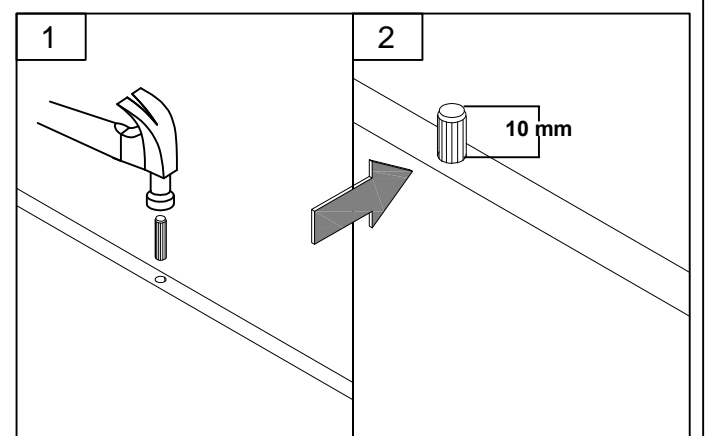
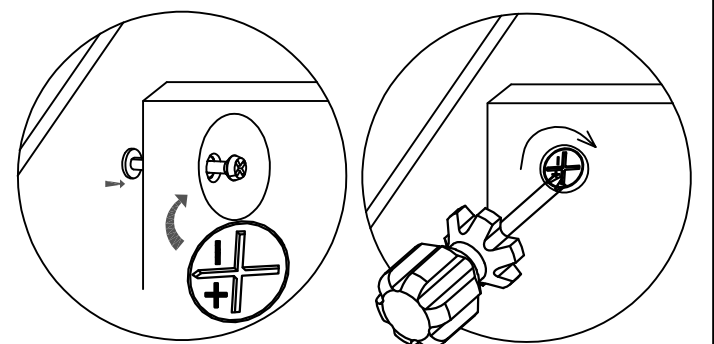
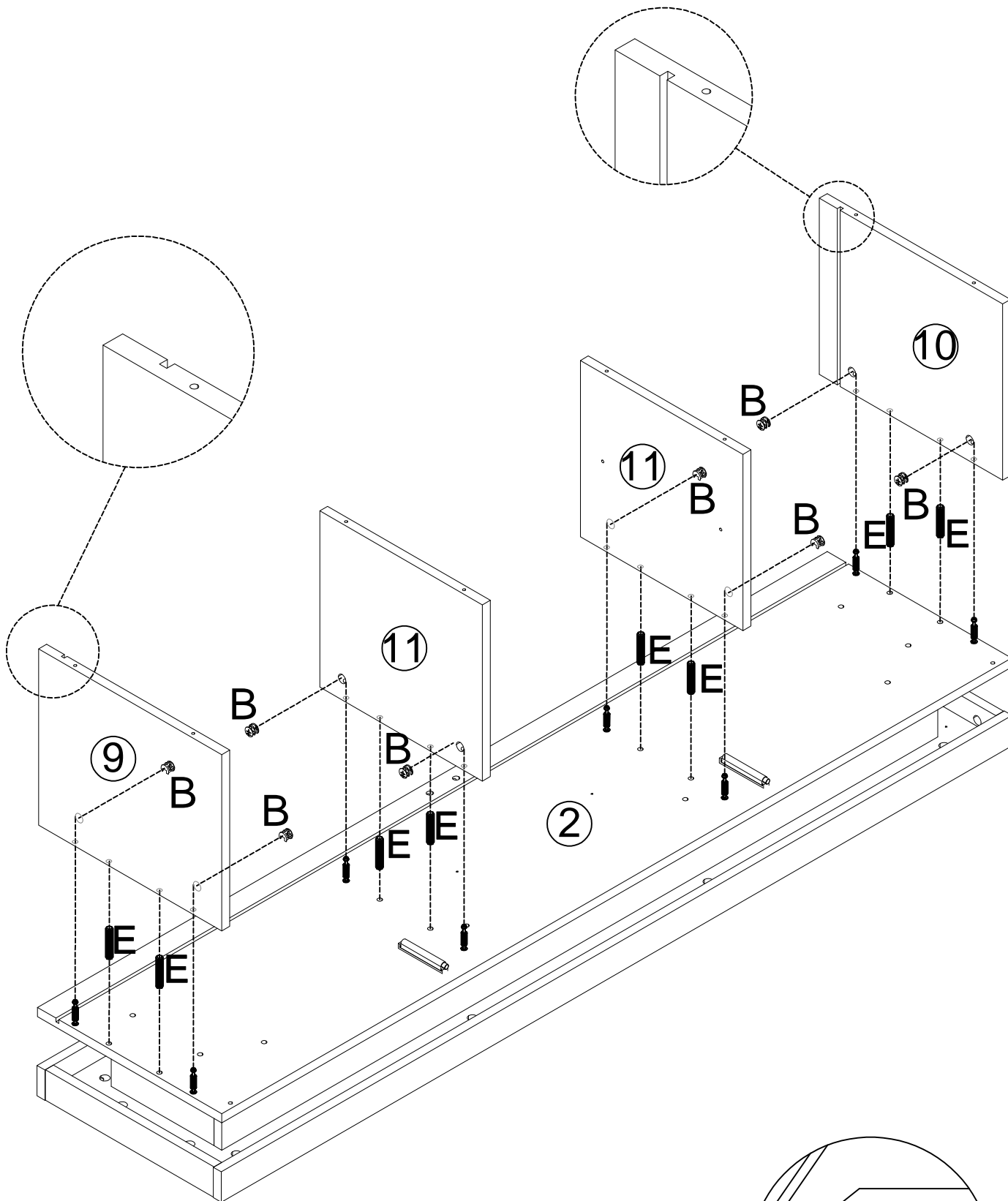


8 PCS

E



8 PCS



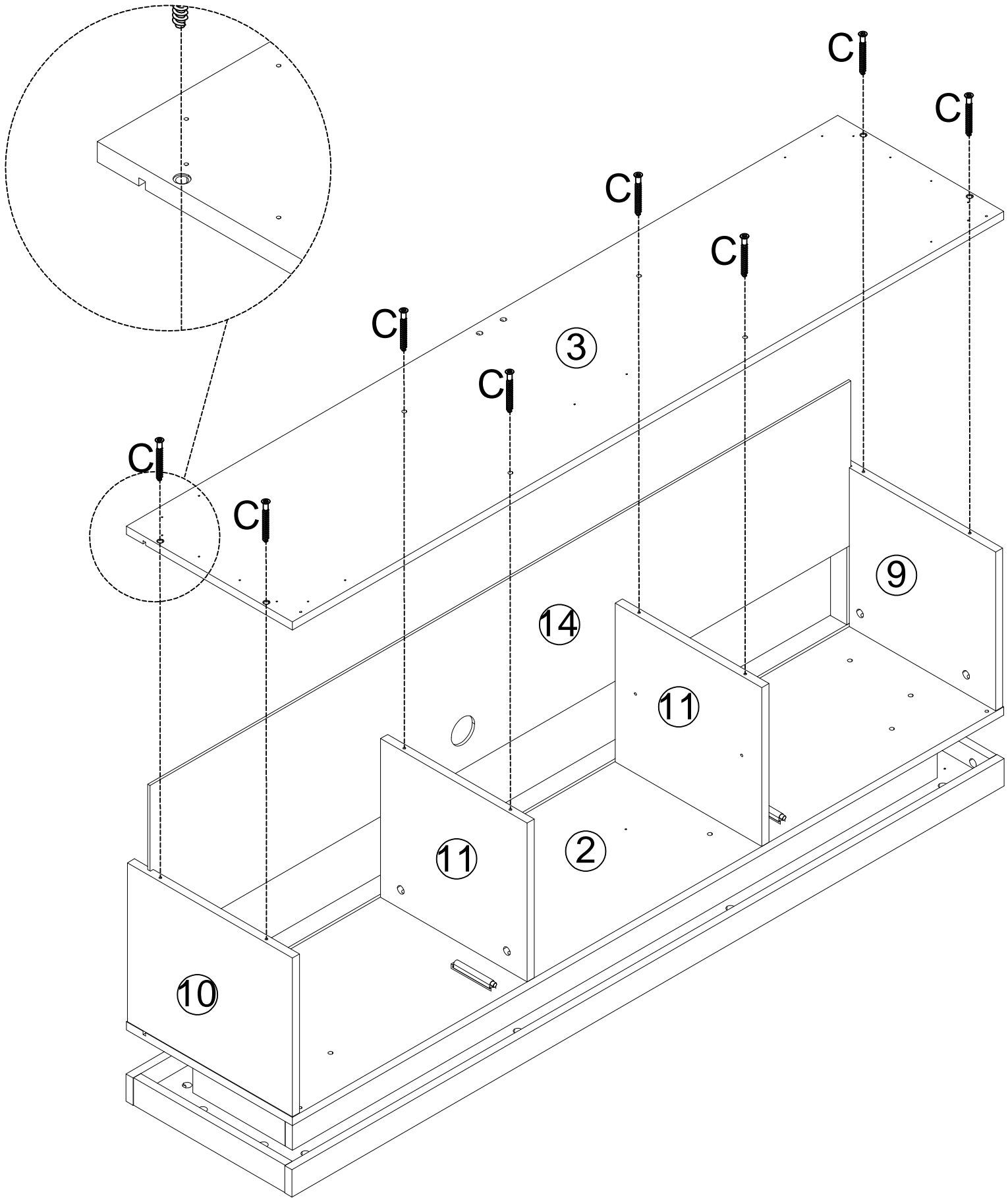
FTLFTS-6113

13

C



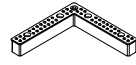
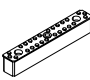


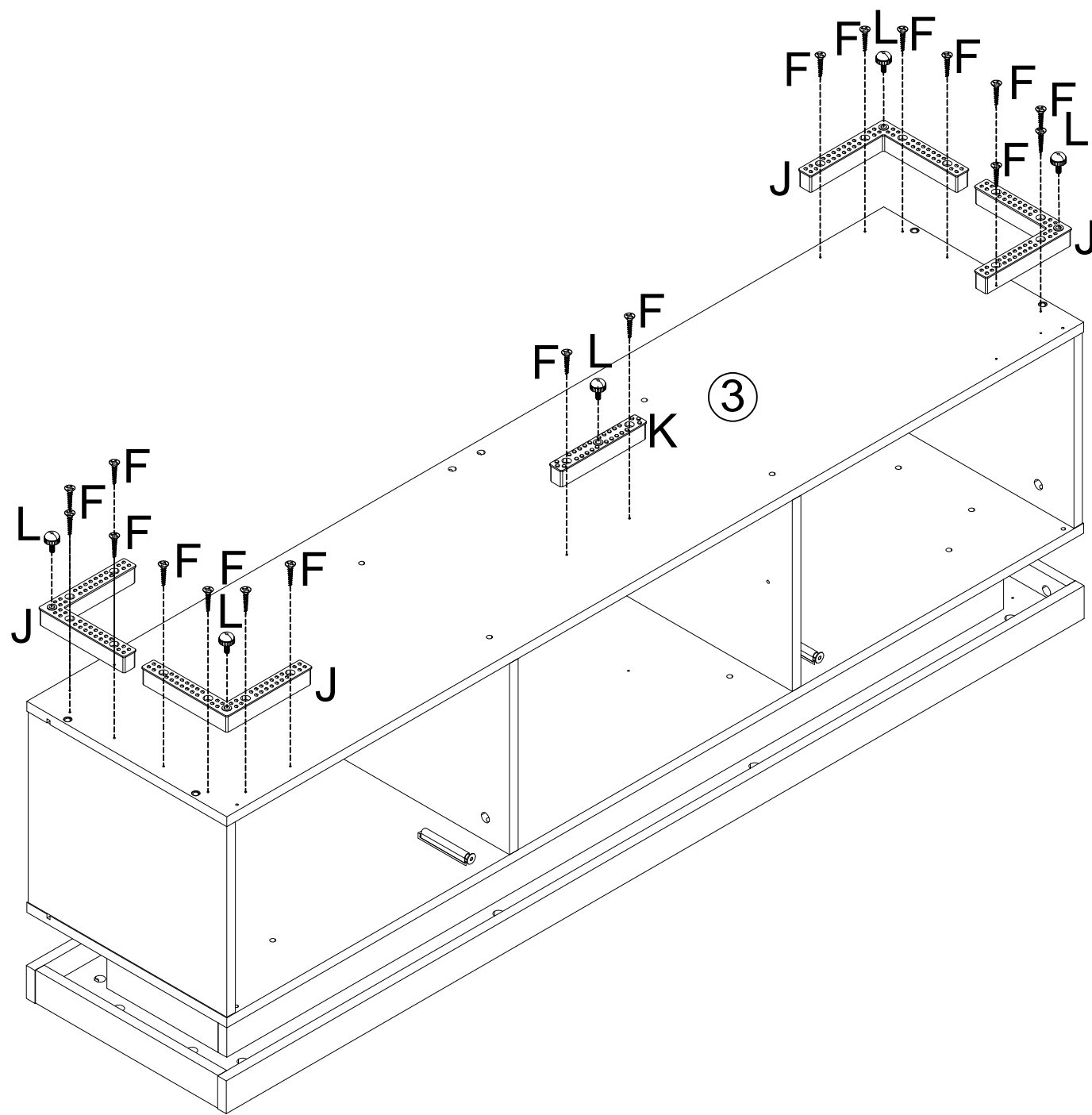
8 PCS

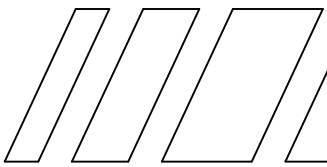


FTLFTS-6113

14

F  18 PCS	L  5 PCS	J  4 PCS	K  1 PCS
---	--	--	--





FTLFTS-6113

15

D

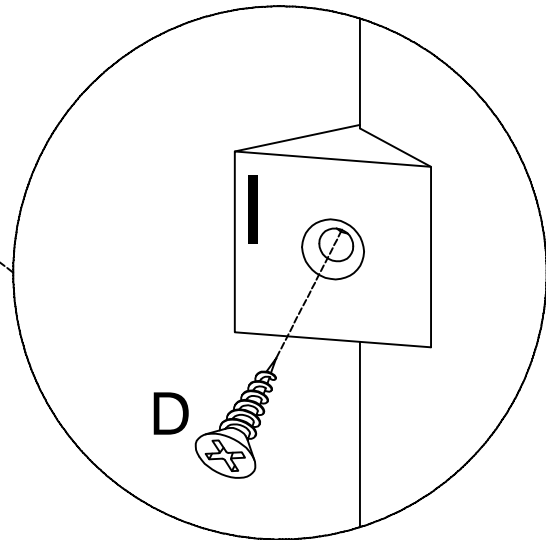
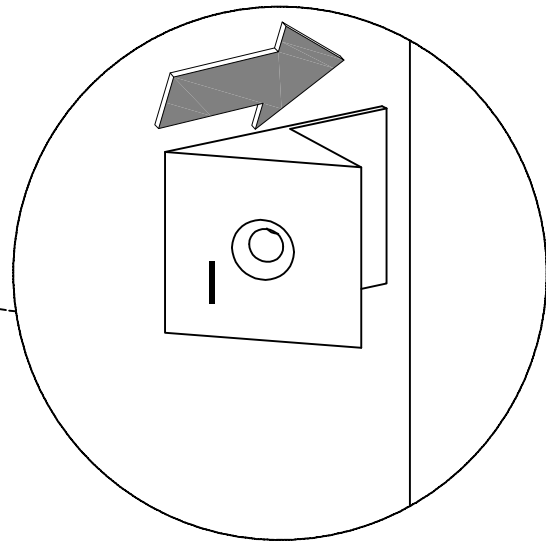
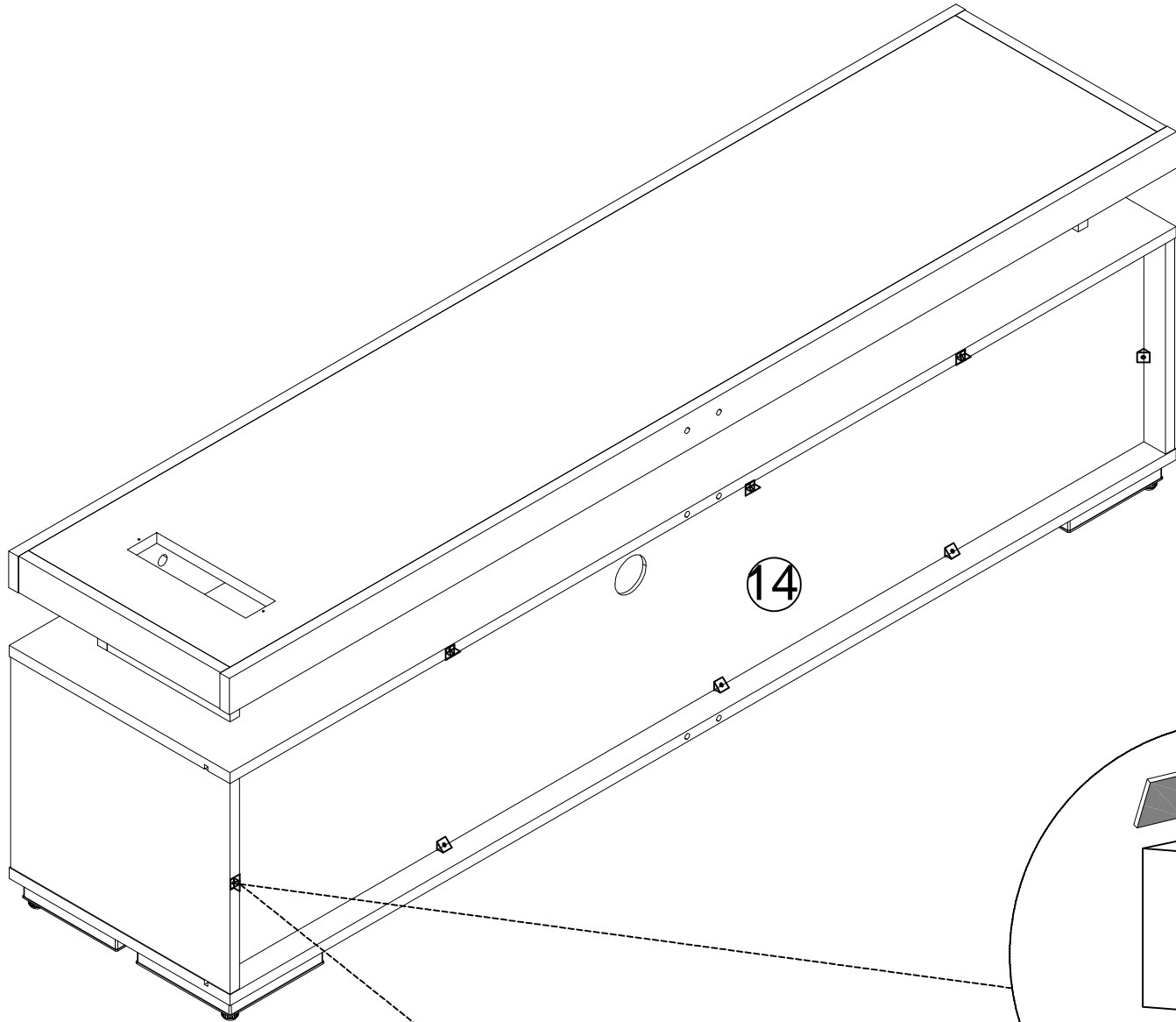


8 PCS

I


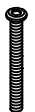



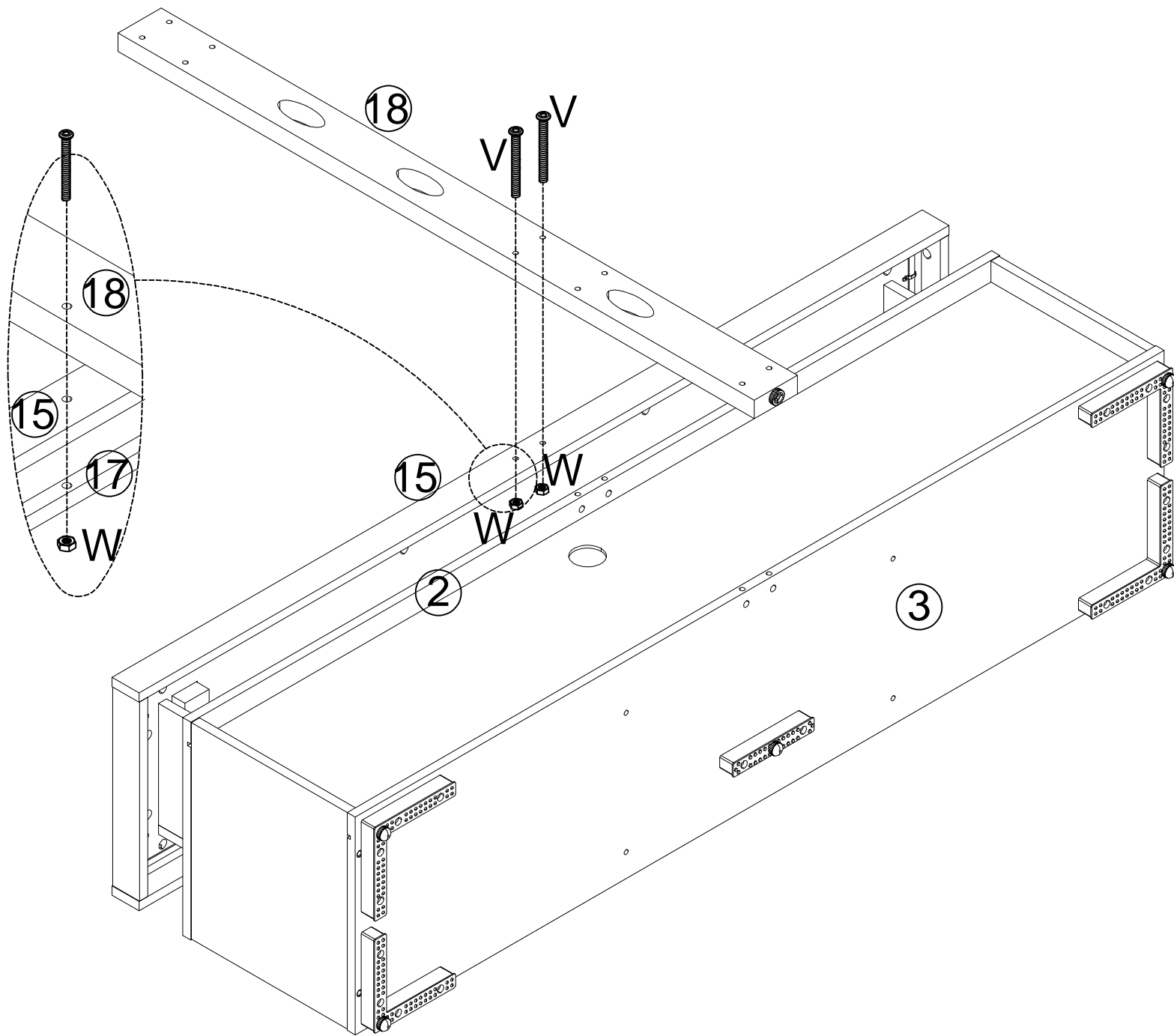
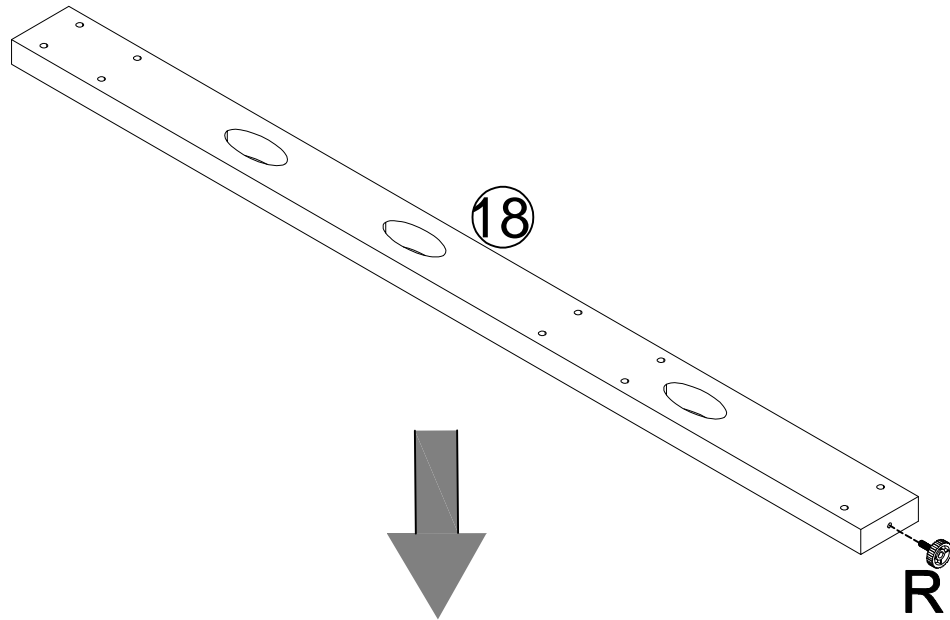
8 PCS



FTLFTS-6113

16

R	V	W
		
1 PCS	2 PCS	2 PCS



FTLFTS-6113

17

T

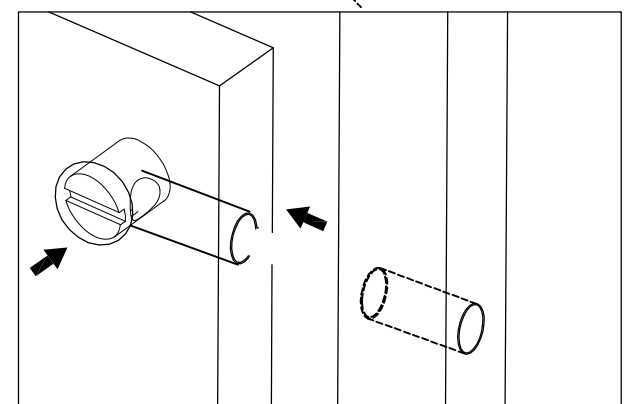
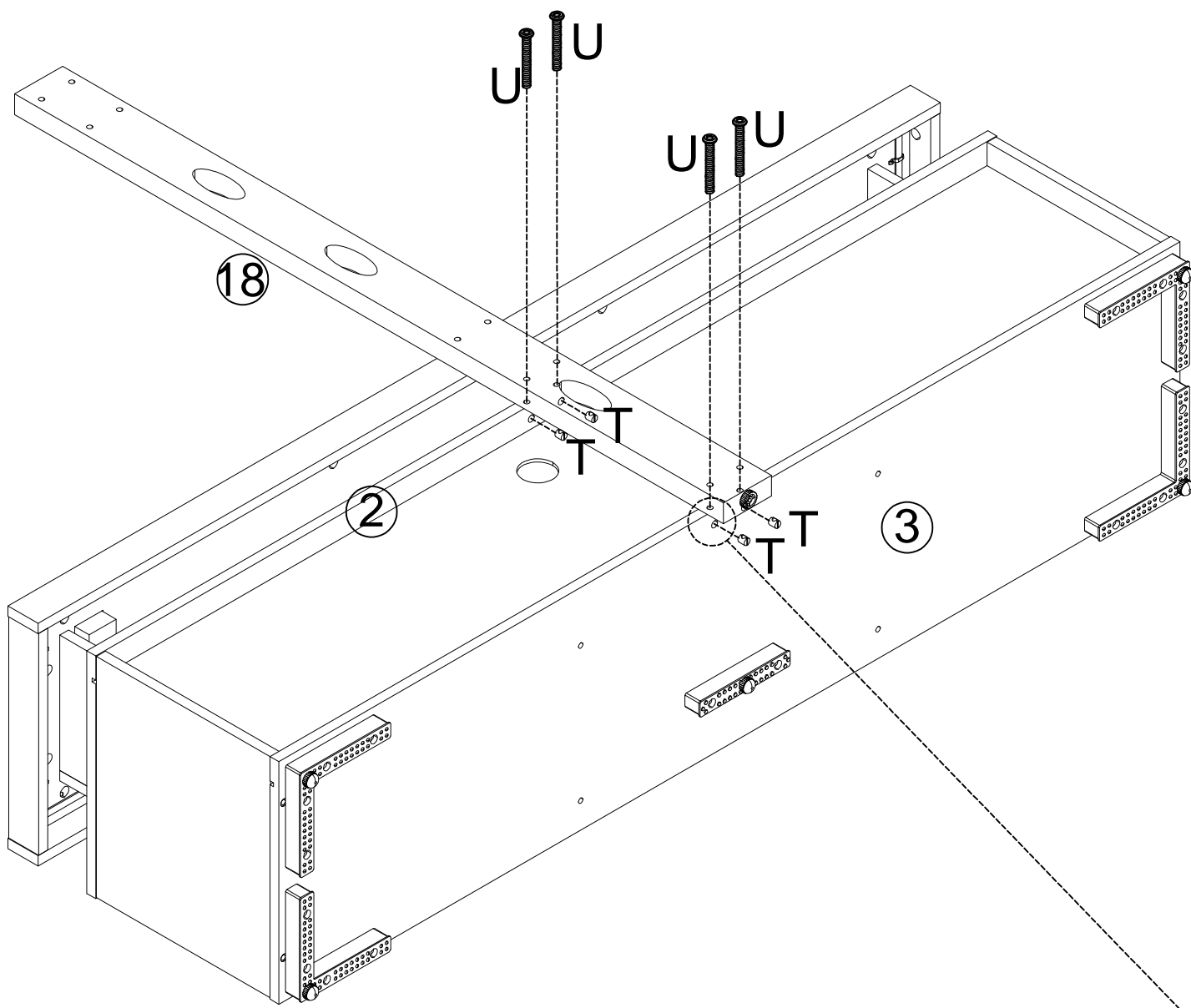


4 PCS

U



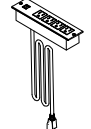


4 PCS

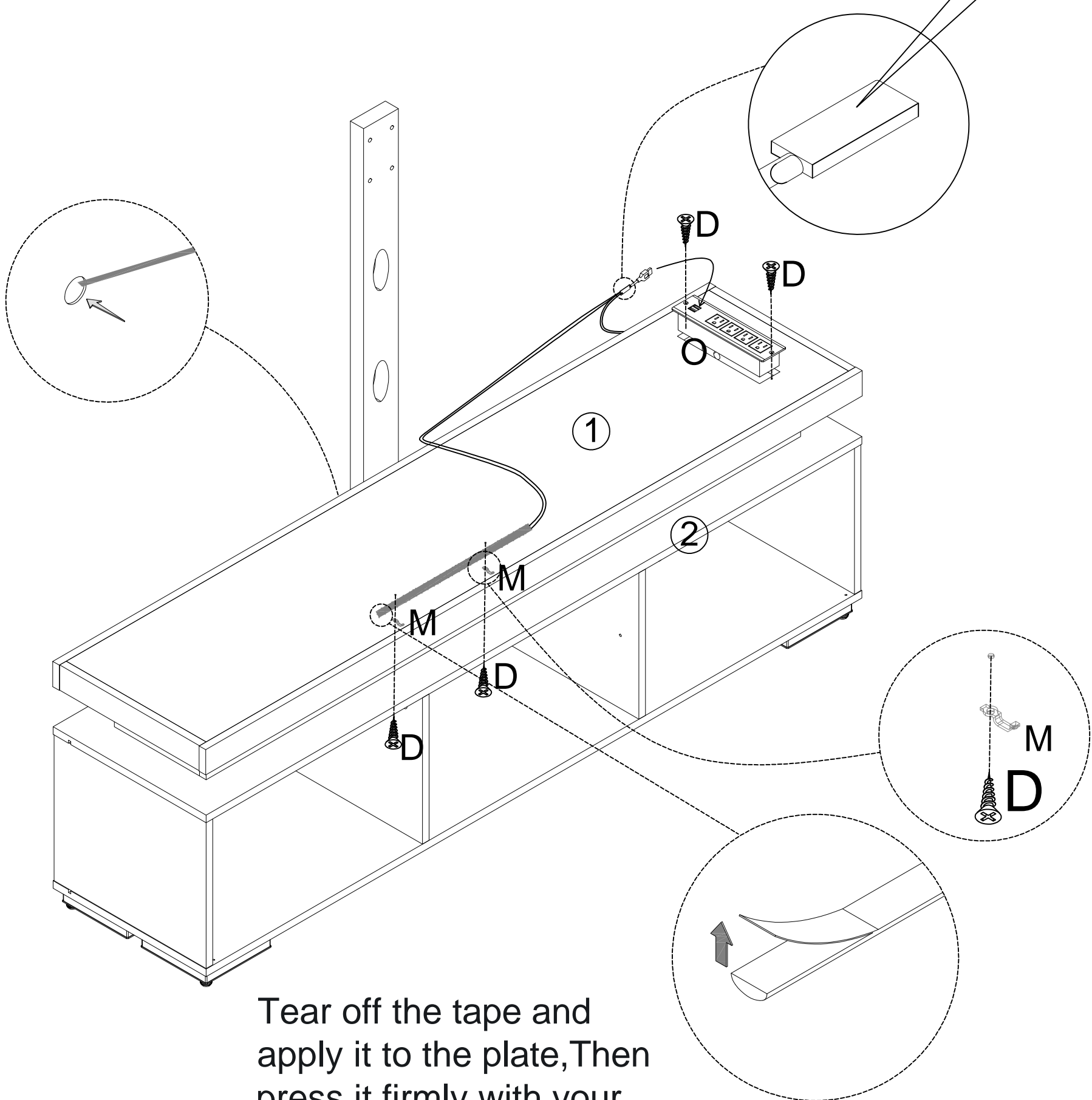


FTLFTS-6113

18

D	M	O
		
4 PCS	2 PCS	1 PCS


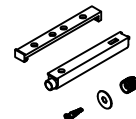
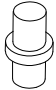
The infrared receiver must be placed in front to receive the signal

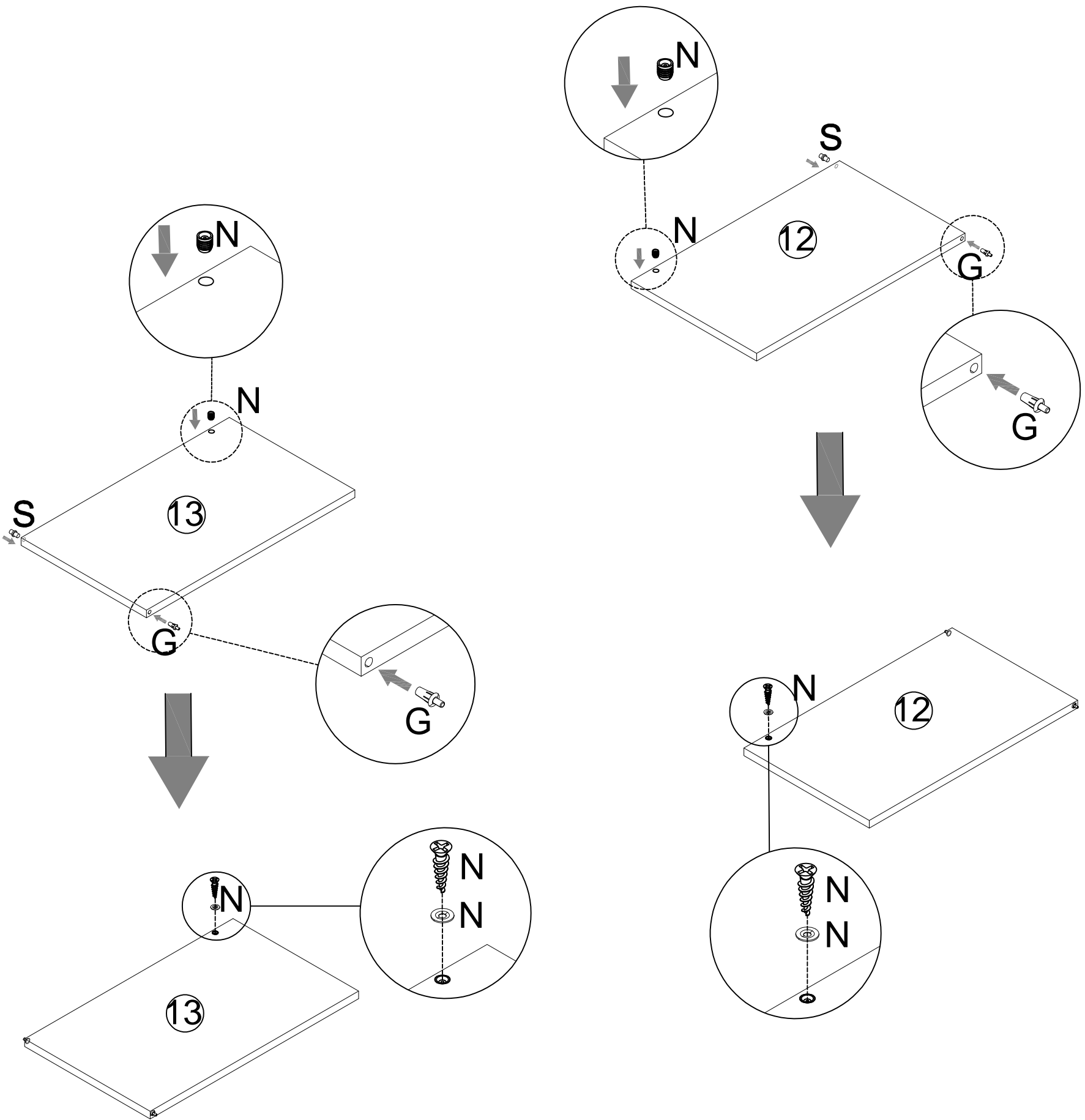


Tear off the tape and apply it to the plate, Then press it firmly with your hand
Method 1 for Installing LED Light Strip

FTLFTS-6113

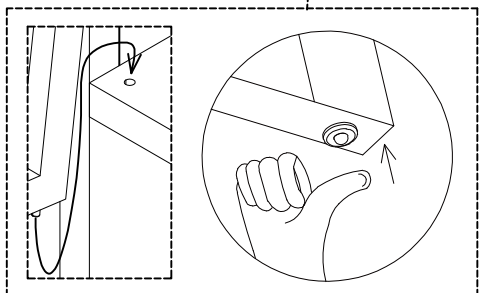
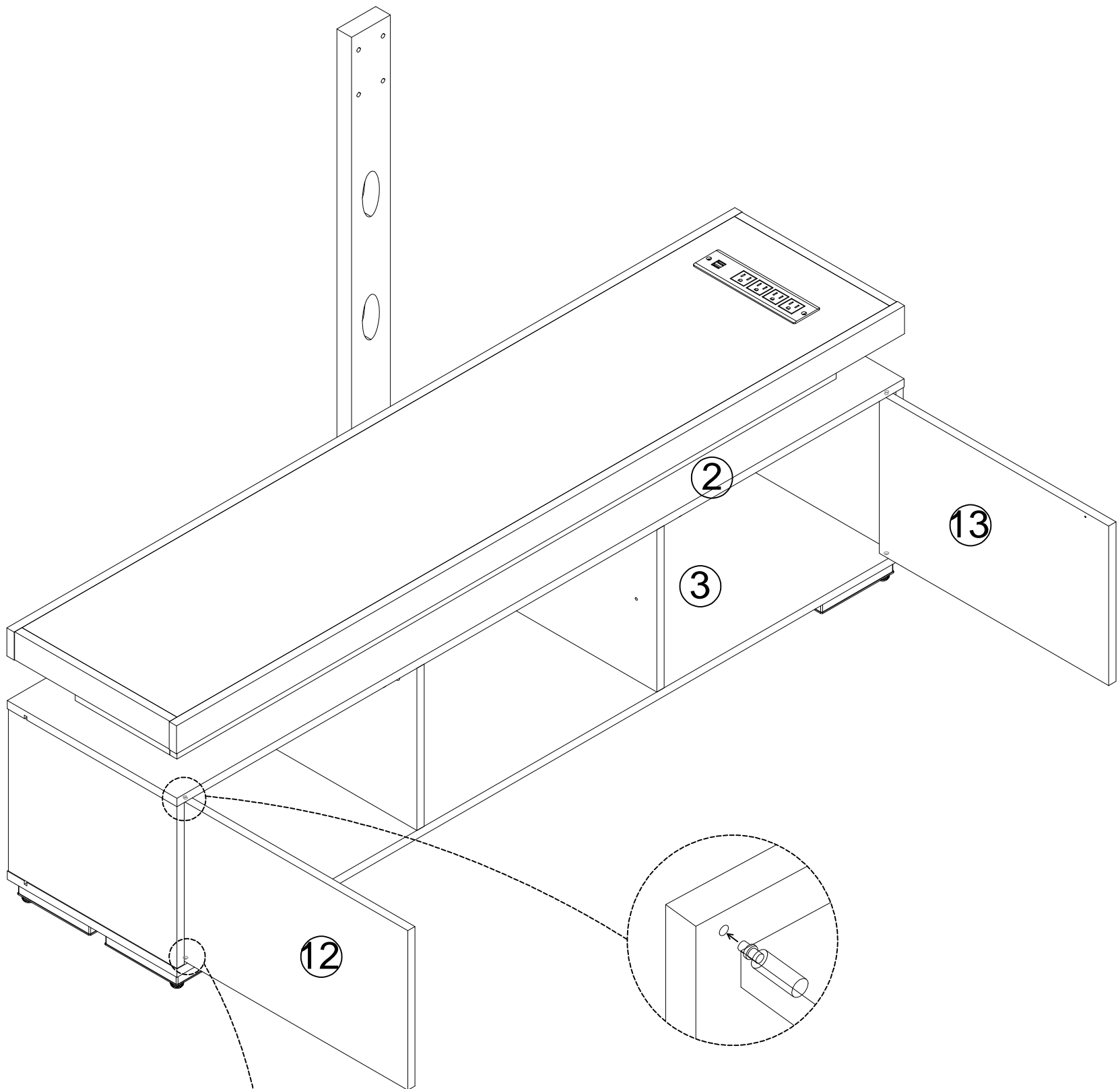
19

G	N	S
		
2 PCS	2 SETS	2 PCS



FTLFTS-6113

20



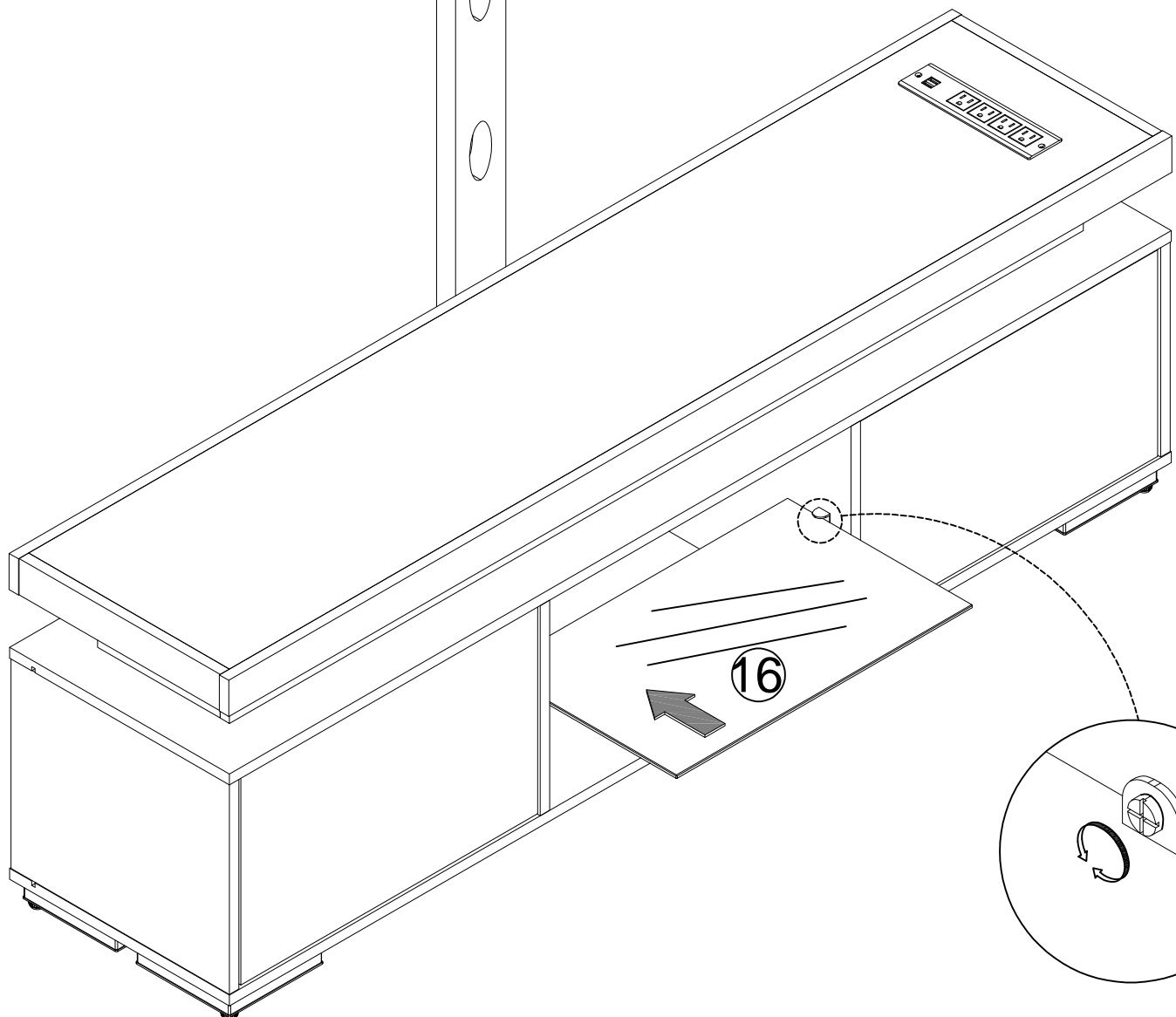
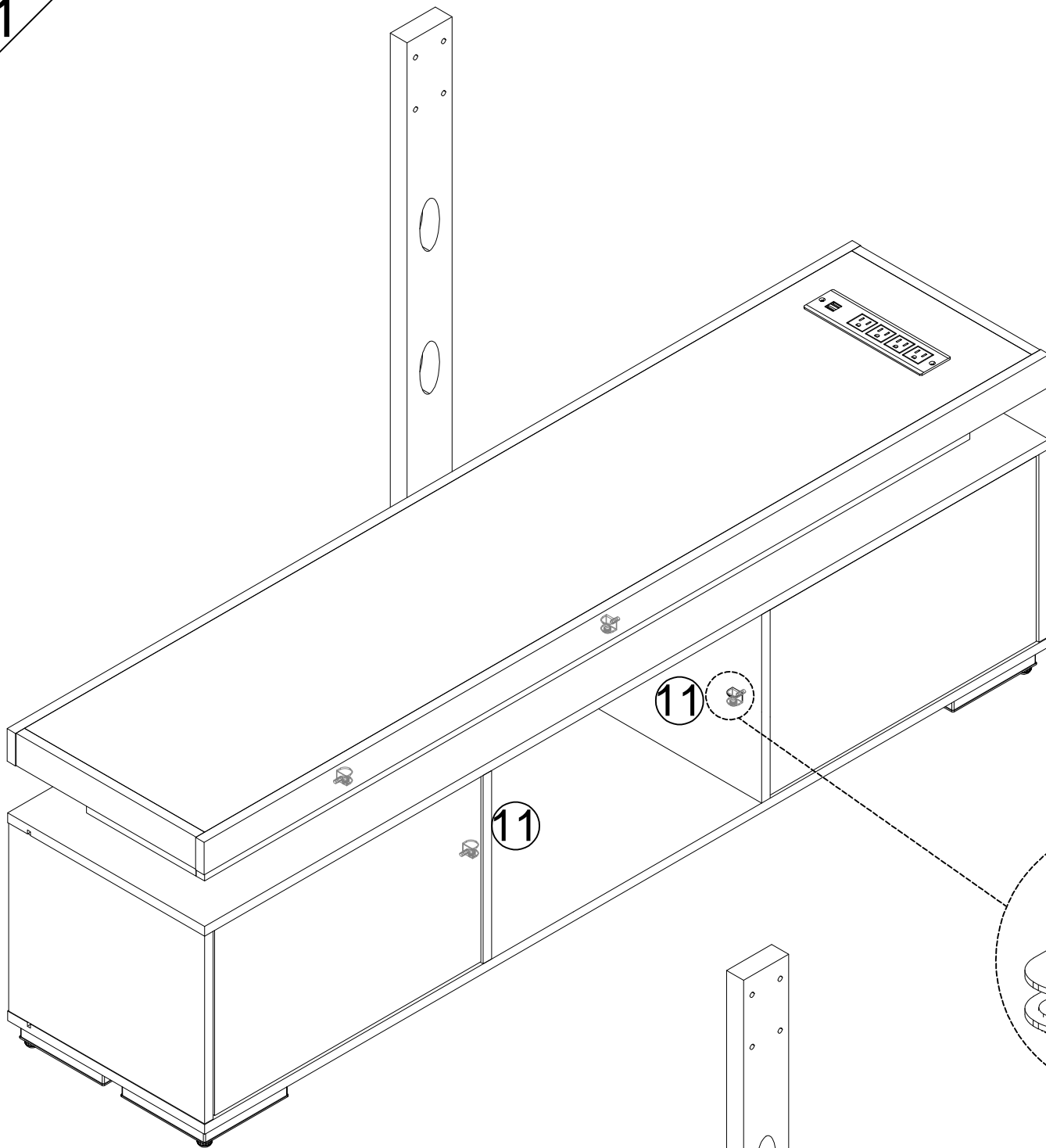
FTLFTS-6113

21

H

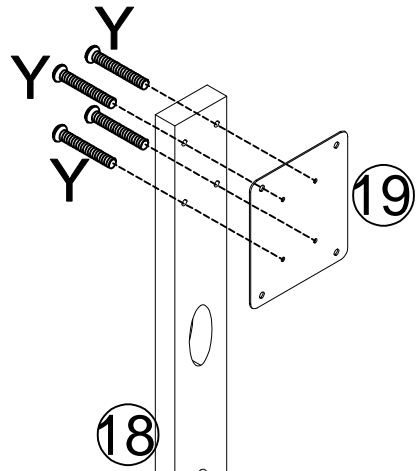


4 PCS



FTLFTS-6113

22



X

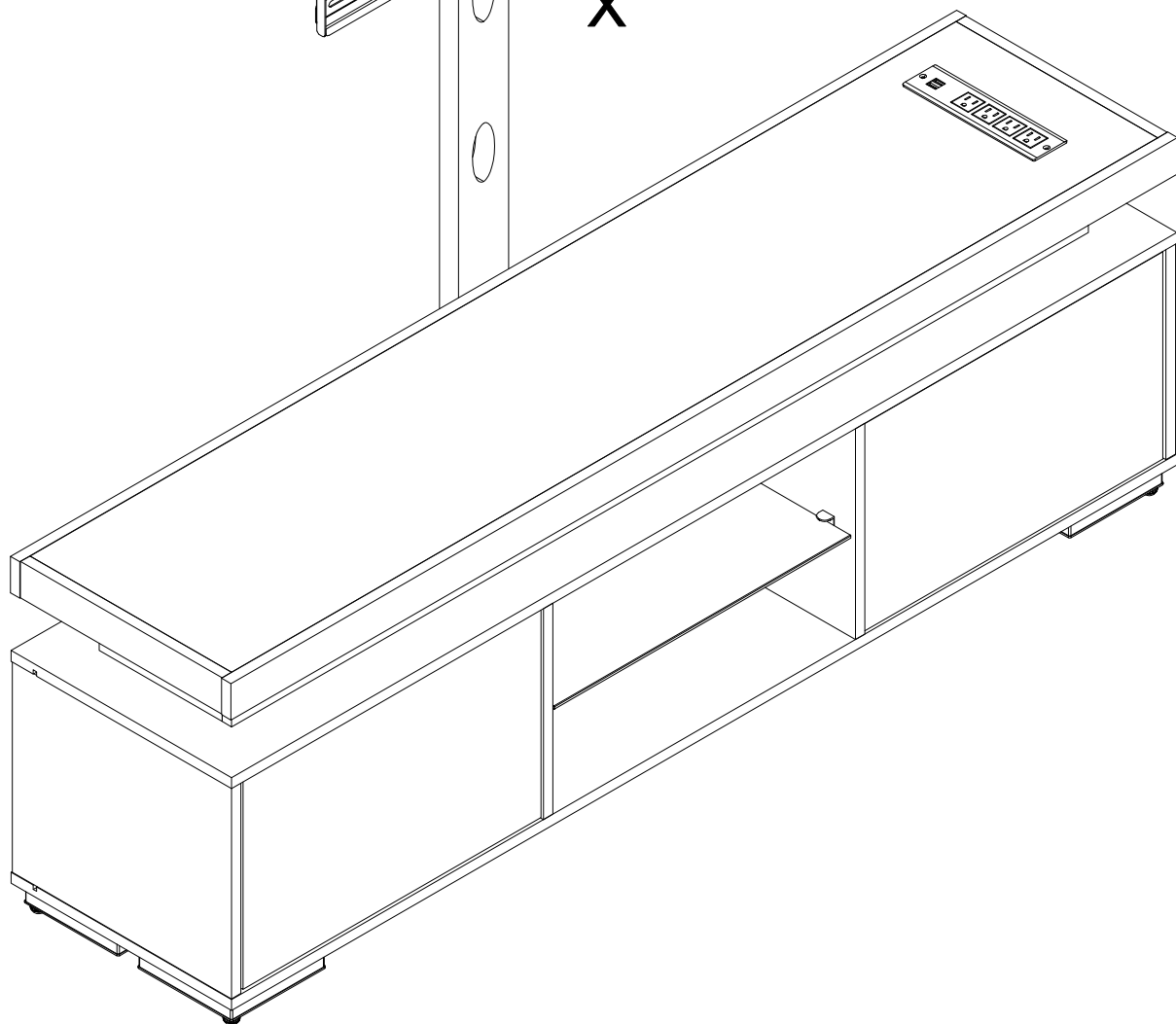
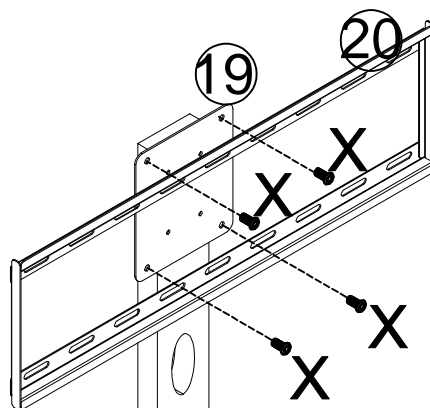
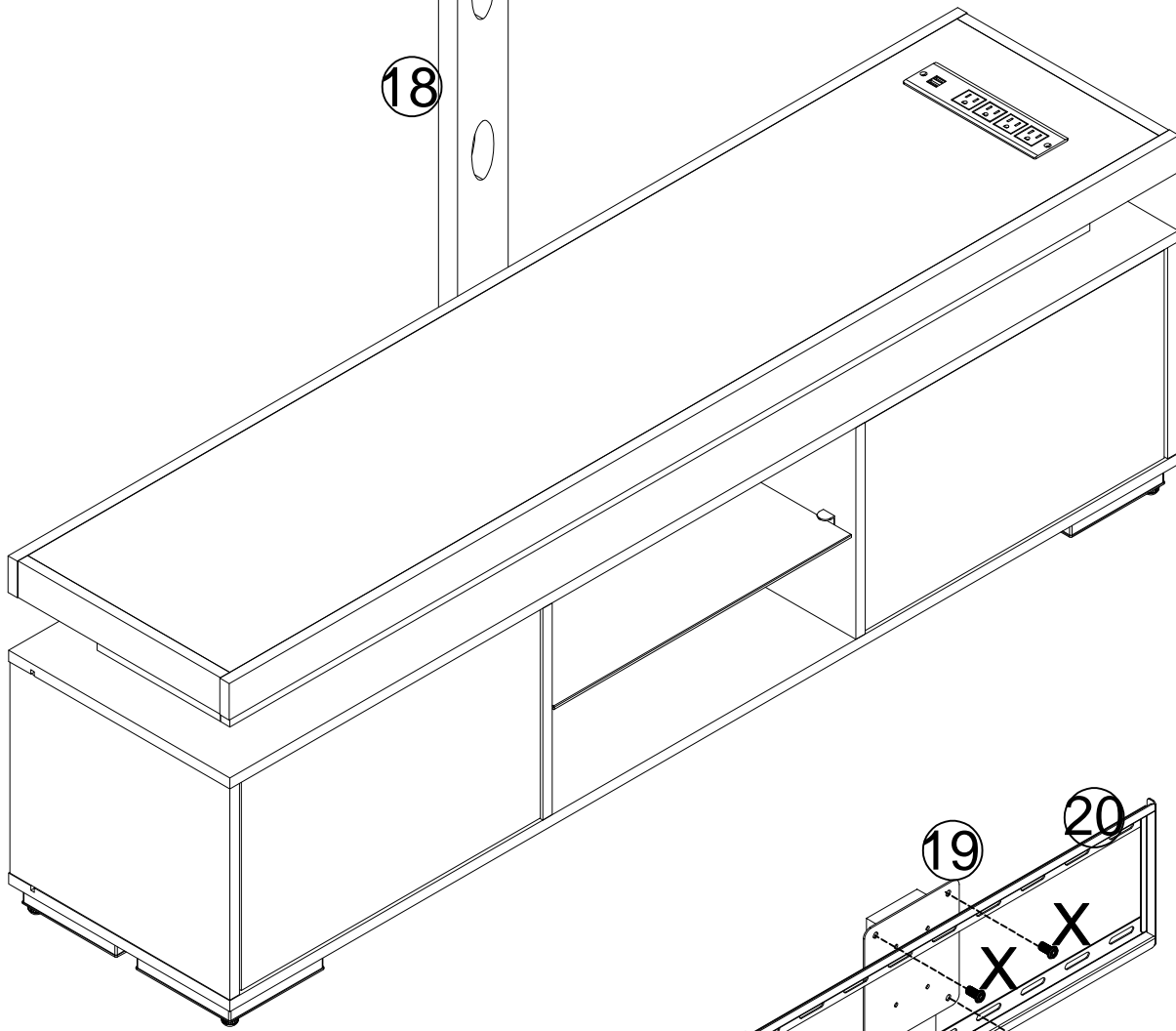


4 PCS

Y



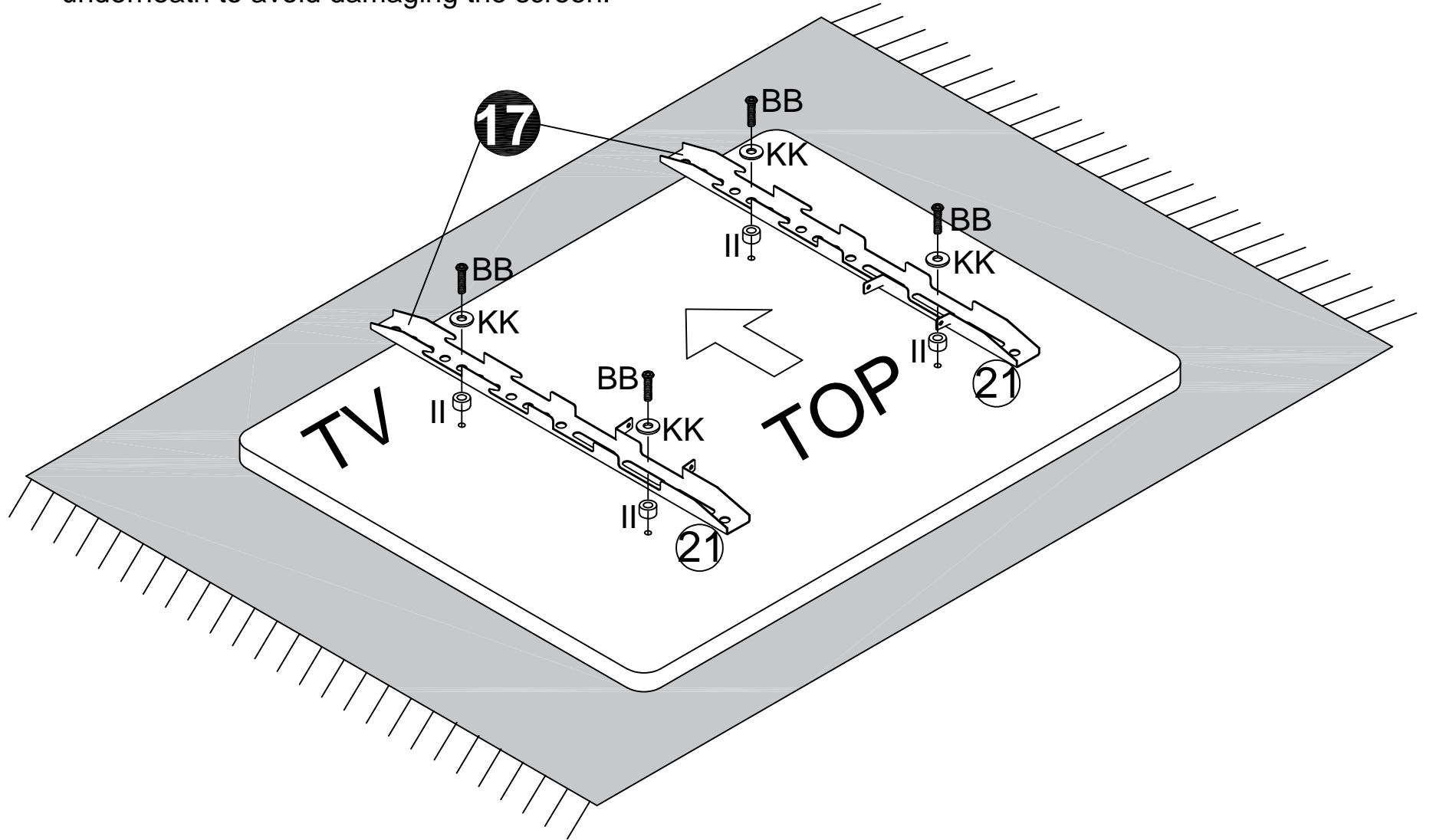
4 PCS



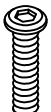







FTLFTS-6113



23



Carefully lay the TV flat on a non-abrasive surface, making sure to place padding underneath to avoid damaging the screen.

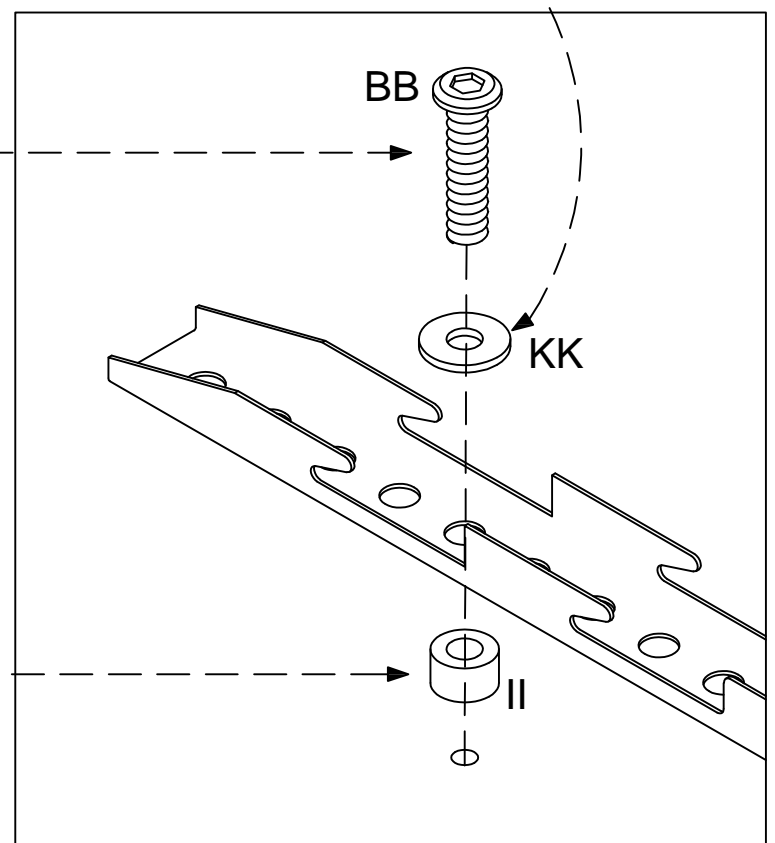


Choose the appropriate screws and spacers for your TV size

<p>Q M6x25</p>  <p>4 PCS</p>	<p>AA M4X12</p>  <p>4 PCS</p>	<p>BB M5X25</p>  <p>4 PCS</p>	<p>CC M5X35</p>  <p>4 PCS</p>
<p>DD M6X35</p>  <p>4 PCS</p>	<p>EE M8X25</p>  <p>4 PCS</p>	<p>FF M8X35</p>  <p>4 PCS</p>	<p>GG M4X30</p>  <p>4 PCS</p>

<p>JJ M8X2.0/Φ20</p>  <p>4 PCS</p>	<p>KK M6X1.2/Φ16</p>  <p>4 PCS</p>
--	--

<p>HH Φ16XΦ10X20</p>  <p>4 PCS</p>	<p>II Φ18XΦ8X10</p>  <p>4 PCS</p>
--	---



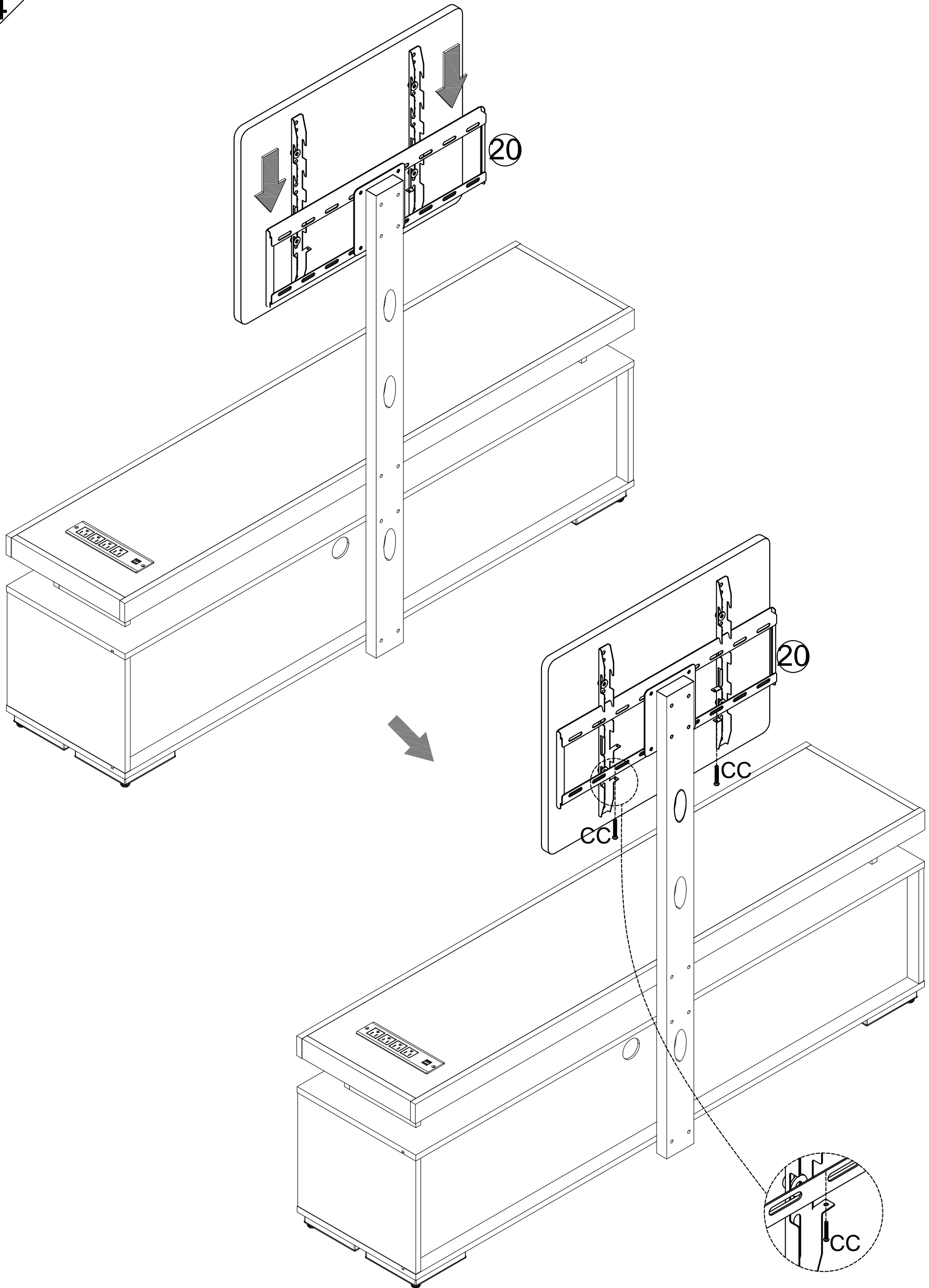
FTLFTS-6113

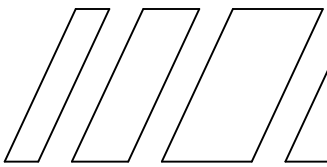
24

CC



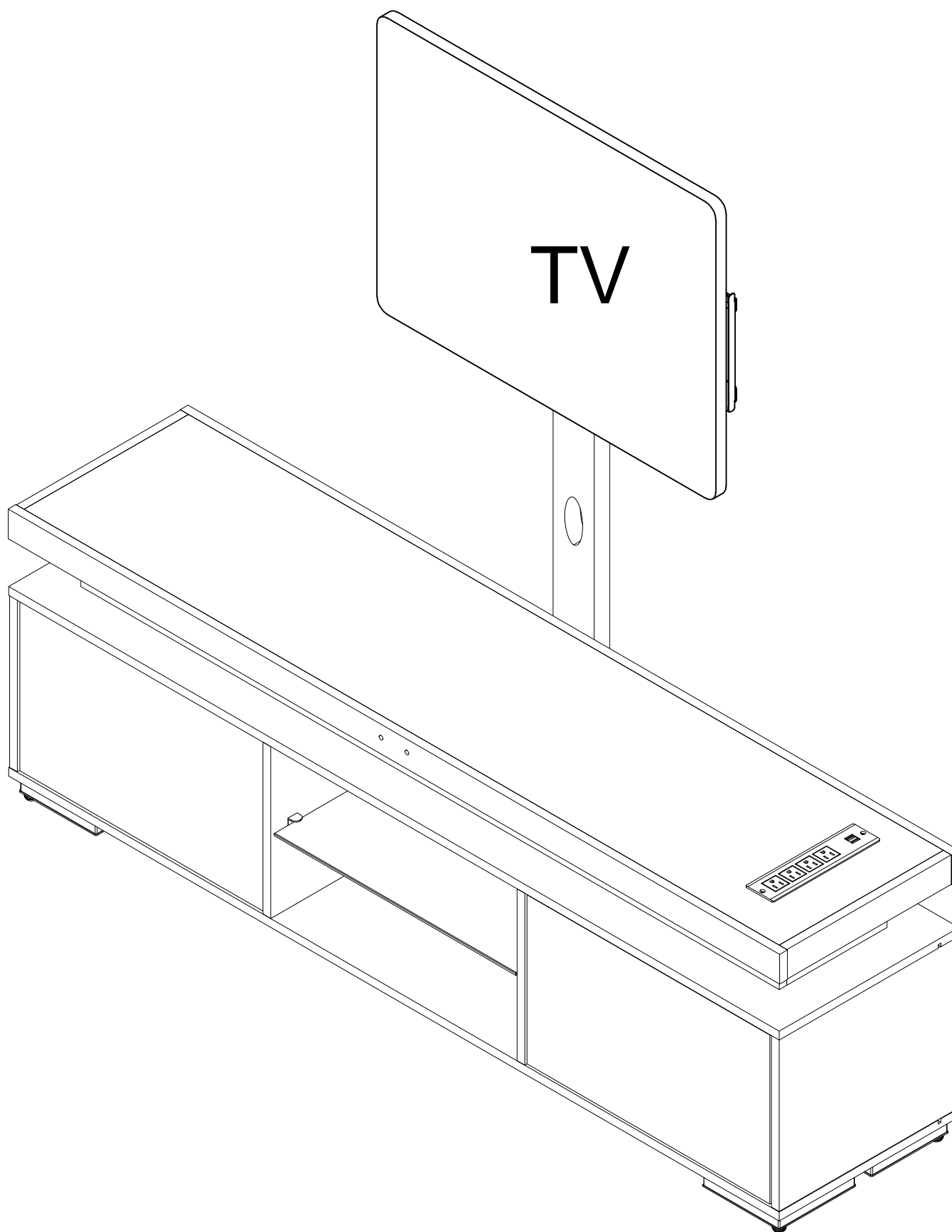
2 PCS





FTLFTS-6113

25



Installation Completed