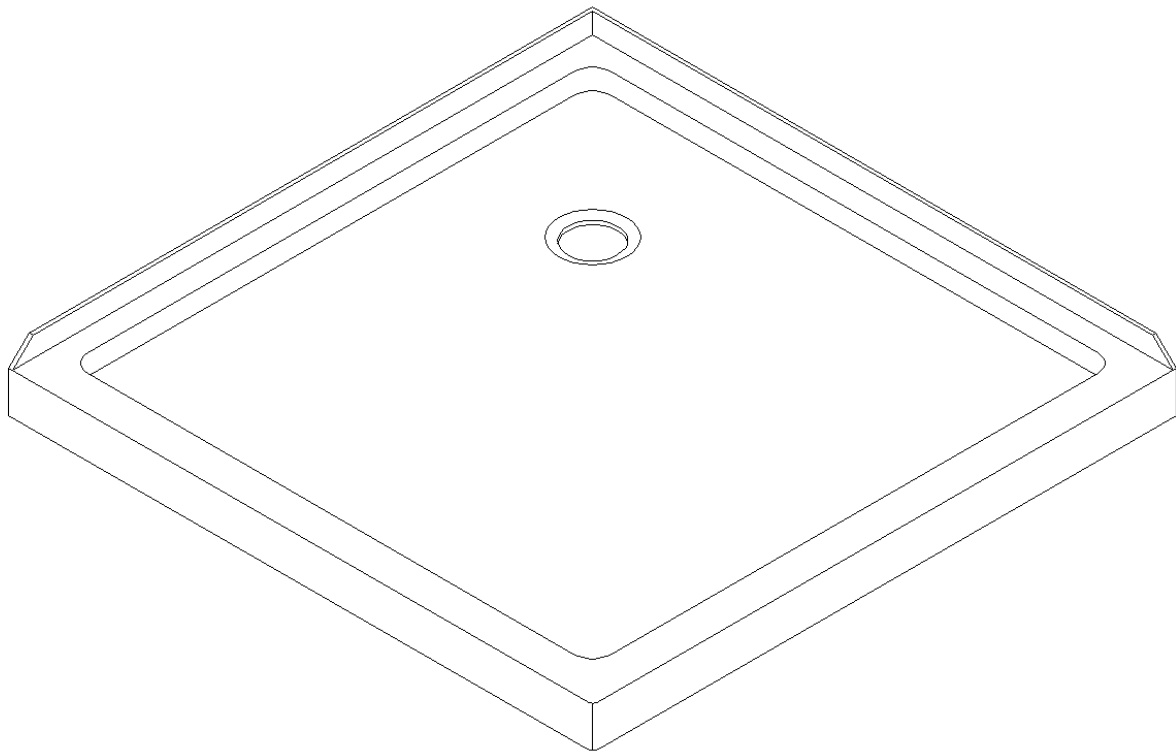


# SHOWER BASES

## SHOWER BASE DIMENSIONS AND INSTALLATION INSTRUCTIONS

### IMPORTANT

The Manufacturer reserves the right to alter, modify or redesign products at any time without prior notice for the purpose of product improvement and customer experience.



Double Threshold Shower Base with Corner Drain Configuration  
shown as an example only

### Color options:

White  
Biscuit  
Black

**Please review this entire manual before beginning installation**

### Preparation

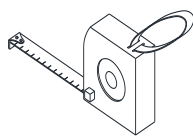
1. Prior to installation, examine all boxes and packages for shipping damage and compare the piece count with your packing slip. After opening all boxes and packages read this introduction carefully. Check that all of the parts are included in the package by checking off the components on the parts list. If the unit has been damaged, has a finishing defect, or has missing parts, please contact the manufacturer within **3 business days** of the delivery date. Please note that the manufacturer **will not replace any damaged products or missing parts free of charge after 3 business days or if the product has been installed.** Please contact the manufacturer with any questions and please provide an order number, job name or other proof of purchase to help identify the original order.

2. Install all required plumbing and drainage before installing the shower base. **Use a competent and licensed (if required by local code) plumber for all plumbing installation.**
3. **Shower bases must be installed by a licensed plumber. Please note that you should consult your local building codes with questions on installation compliance standards. Building and plumbing codes may vary by location and the manufacturer is not responsible for code compliance standards for your project.**
4. Make sure that prior to the installation the installation surface is leveled and solid and will be able to support the total weight of the unit. Also make sure the walls are at right angles. While some adjustment in leveling of the tray is possible, irregular installation surface level or improper angle of side walls will result in serious problems for your installation. Please note that some adjustments may be necessary during the installation process.
5. **Center drain configurations are centered on the width only. See technical drawing tables for drain locations.**
6. **Drain not included with this product.** The drain opening is 3-3/8" in diameter and **accepts a standard 2" compression fitted drain.**

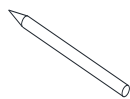
#### **IMPORTANT NOTE:**

**Dimensions provided are for reference only. Measure the actual shower tray before installation. This includes overall dimensions and drain location. Allowed tolerance for center of the drain is +/-1/2".**

#### **Tools Required**



Tape  
Measure



Pencil



Level

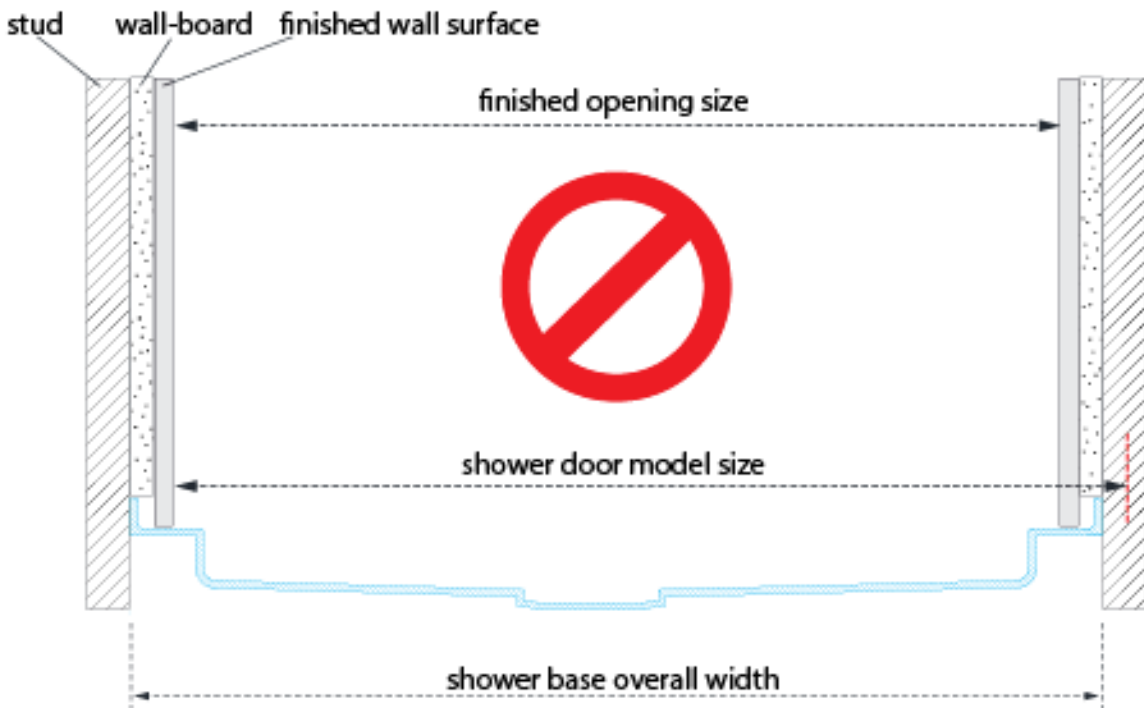
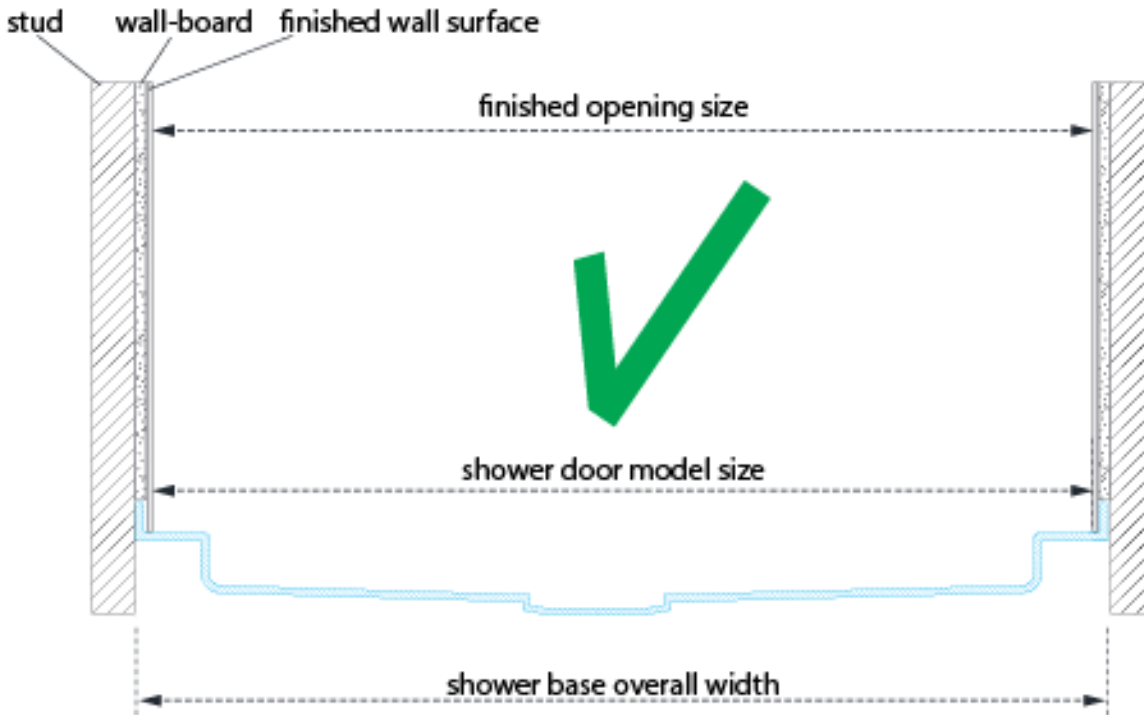


Mortar



When constructing or installing a shower base, consider how **the thickness of the wall treatment (wallboard, tile, etc.) will affect the finished opening size for the shower door.**

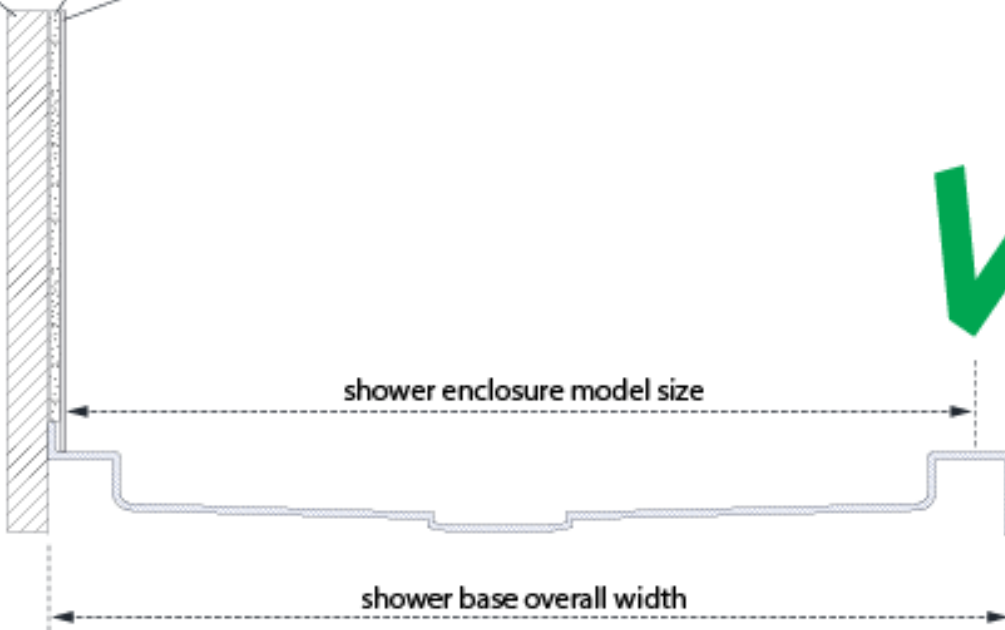
Compare the overall dimensions of the shower door model with the finished opening size before proceeding with the installation.



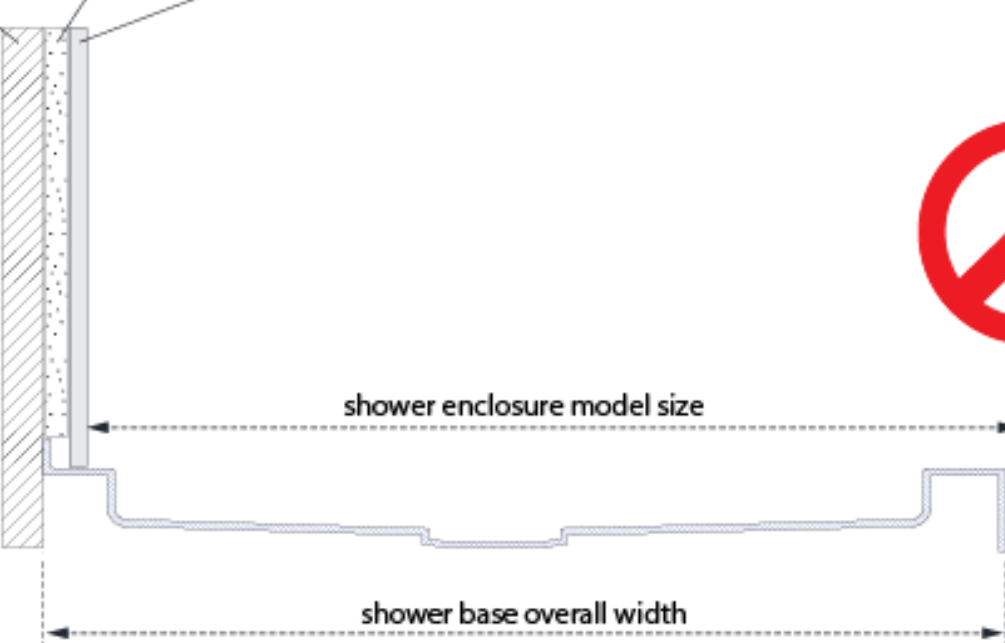


When constructing or installing a shower base, consider how **the thickness of the wall treatment (wallboard, tile, etc.) will affect where the shower enclosure will sit on the threshold.** Compare the overall outside dimensions of the shower enclosure model size with the finished threshold before proceeding with the installation.

stud wall-board finished wall surface

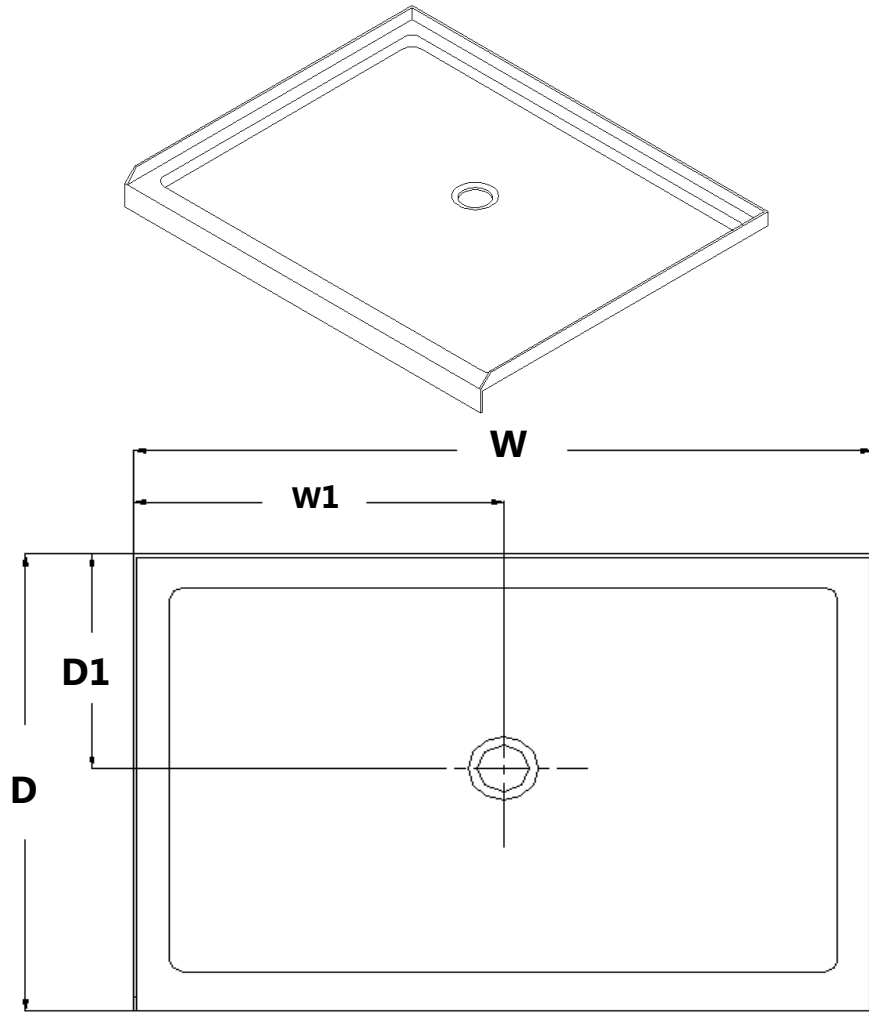


stud wall-board finished wall surface



## SINGLE THRESHOLD SHOWER BASE

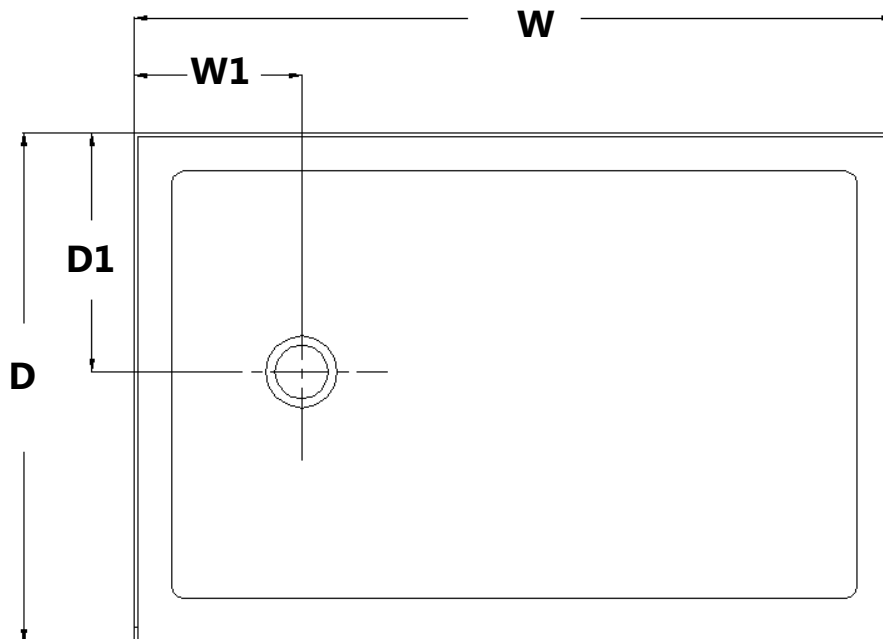
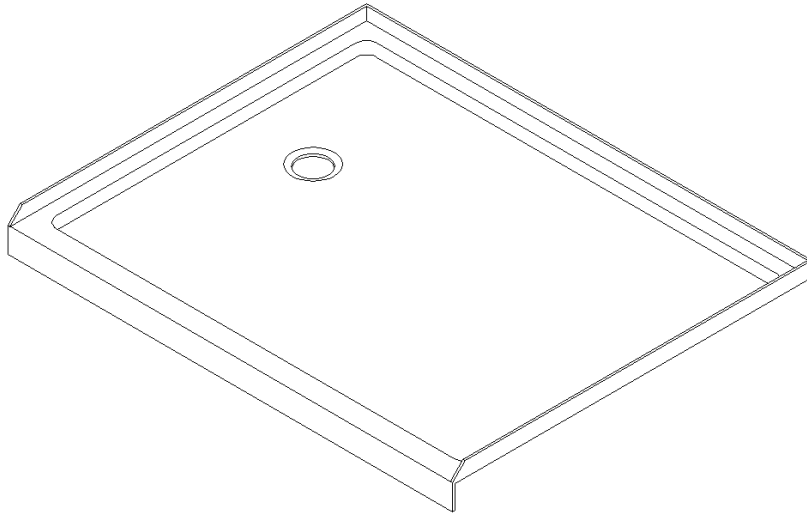
### Center Drain Configuration



SPECIFICATION	D (in)	W (in)	D1 (in)	W1 (in)
32" x 32"	32"	32"	15"	16"
36" x 36"	36"	36"	15"	18"
32" x 42"	32"	42"	15"	21"
34" x 42"	34"	42"	15"	21"
36" x 42"	36"	42"	15"	21"
42" x 42"	42"	42"	20"	21"
32" x 48"	32"	48"	15"	24"
34" x 48"	34"	48"	15"	24"
36" x 48"	36"	48"	15"	24"
32" x 54"	32"	54"	15"	27"
34" x 54"	34"	54"	15"	27"
36" x 54"	36"	54"	15"	27"
30" x 60"	30"	60"	15"	30"
32" x 60"	32"	60"	15"	30"
34" x 60"	34"	60"	15"	30"
36" x 60"	36"	60"	15"	30"
42" x 36"	36"	42"	21"	18"
42" x 48"	42"	48"	21"	24"

## SHOWER BASE

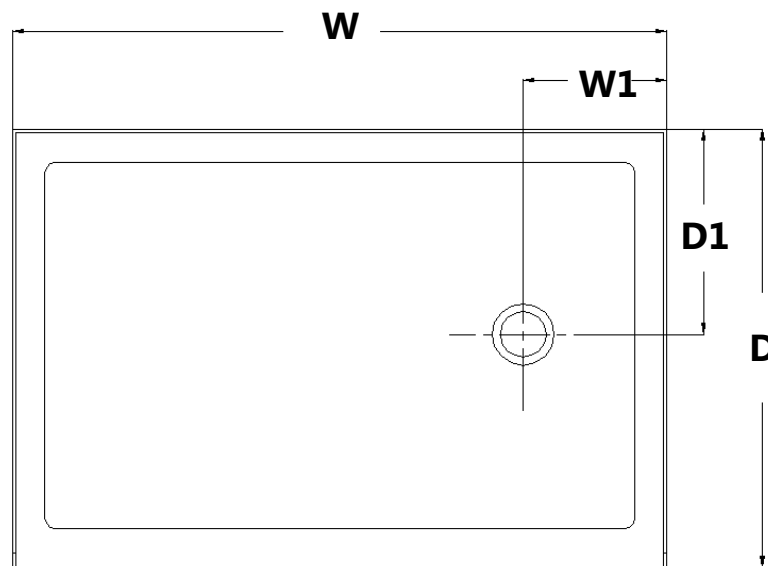
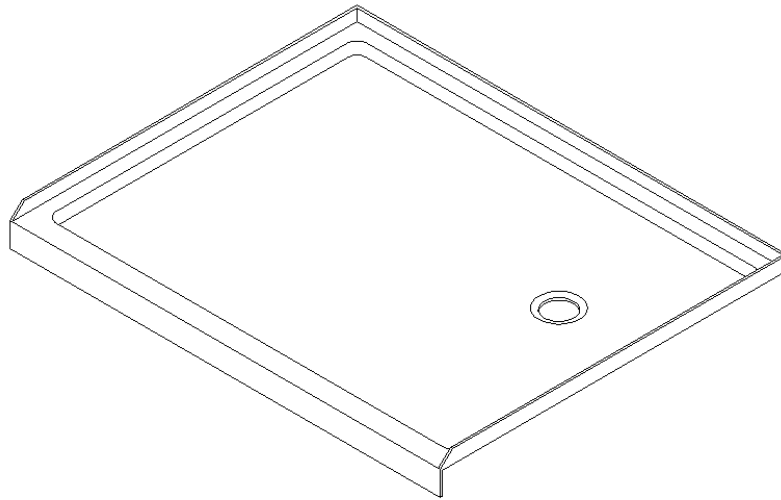
### Left-Hand Drain Configuration



SPECIFICATION	D (in)	W (in)	D1 (in)	W1 (in)
30"x60"	30"	60"	15"	12"
32"x60"	32"	60"	15"	12"
34"x60"	34"	60"	17"	12"
36"x60"	36"	60"	18"	12"
42"x60"	42"	60"	21"	12"

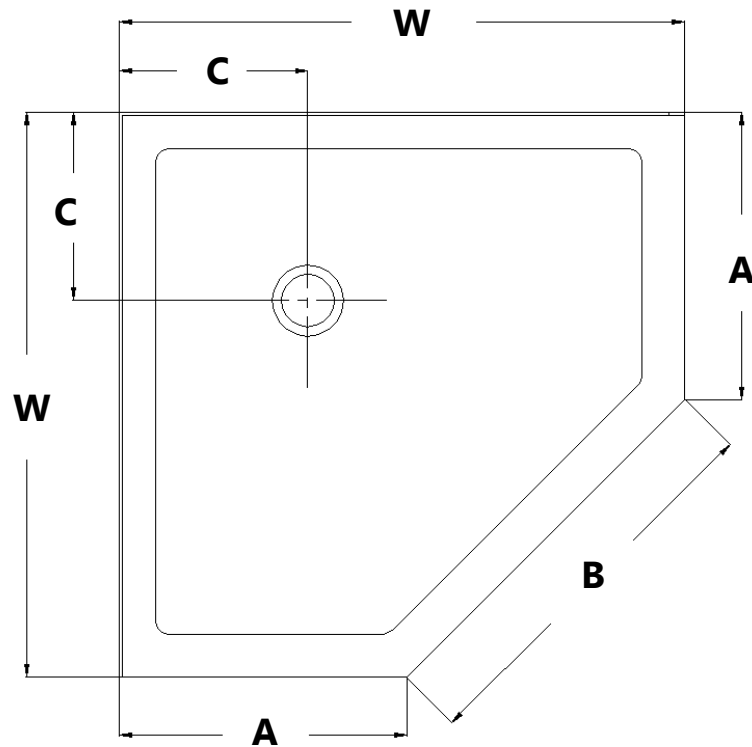
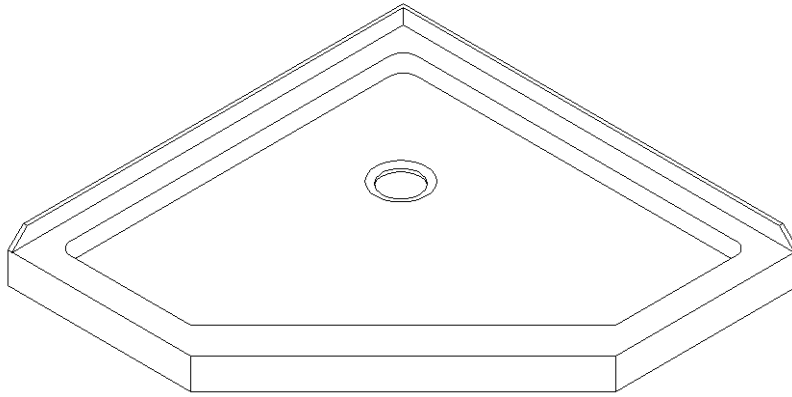
# SHOWER BASE

## Right-Hand Drain Configuration



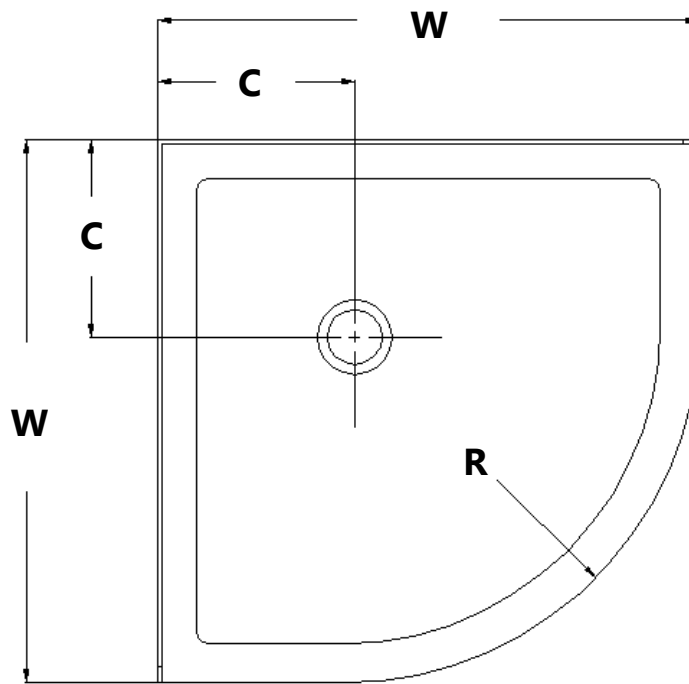
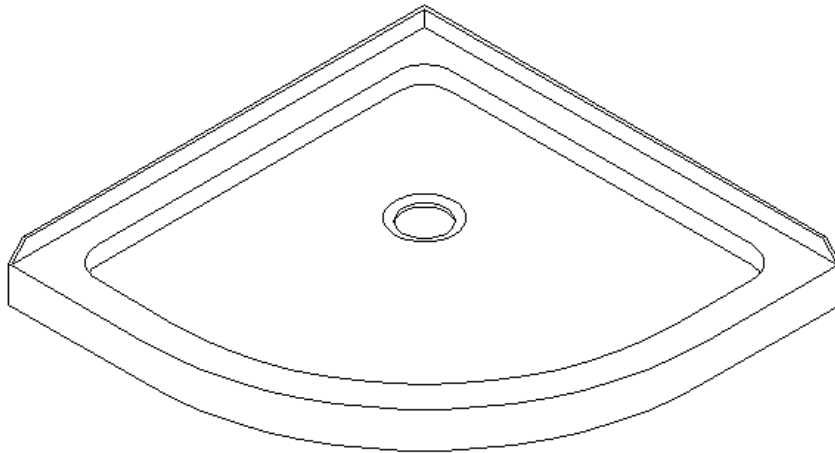
SPECIFICATION	D (in)	W (in)	D1 (in)	W1(in)
30"x60"	30"	60"	15"	12"
32"x60"	32"	60"	15"	12"
34"x60"	34"	60"	17"	12"
36"x60"	36"	60"	18"	12"
42"x60"	42"	60"	21"	12"
42"x48"	42"	48"	21"	24"
44"x36"	42"	36"	21"	18"

## NEO ANGLE SHOWER BASE



SPECIFICATION	W (in)	A (in)	B (in)	C (in)
36"×36"	36"	18 5/16"	25"	12"
38"×38"	38"	20 5/16"	25"	12"
40"×40"	40"	22 5/16"	25"	14 3/8"
42"×42"	42"	24 5/16"	25"	14 3/8"

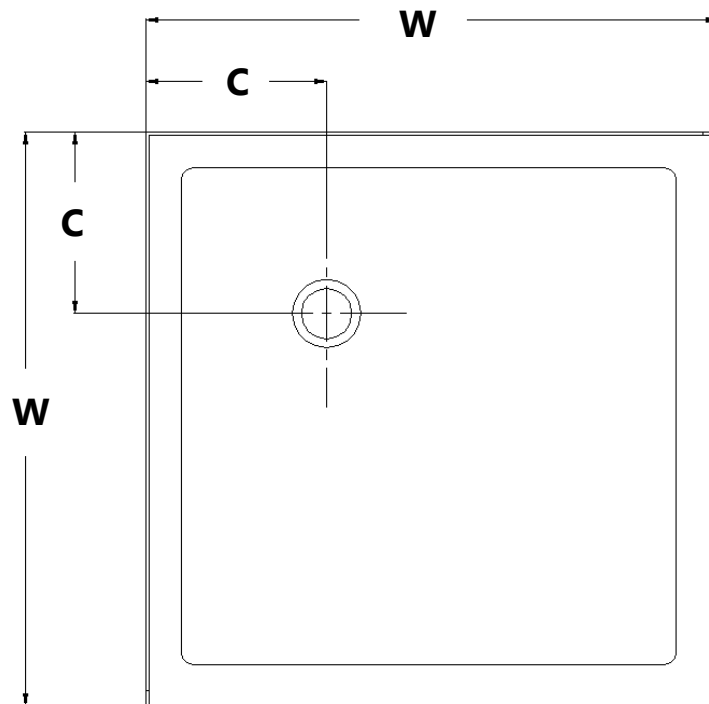
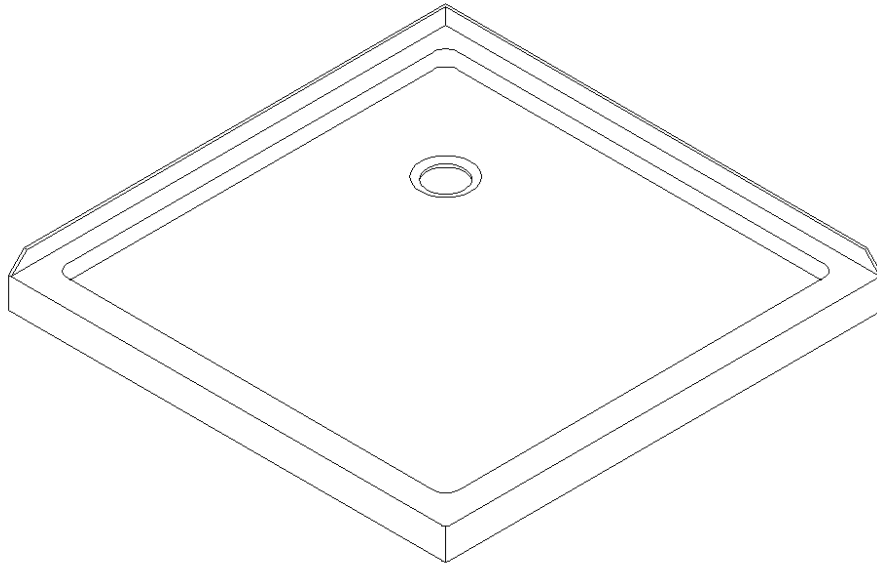
# QUARTER ROUND SHOWER BASE



SPECIFICATION	W (in)	C (in)	R (in)
33"×33"	33"	12"	21 5/8"
36"×36"	36"	12"	21 5/8"
38"×38"	38"	12"	21 5/8"

## DOUBLE THRESHOLD SHOWER BASE

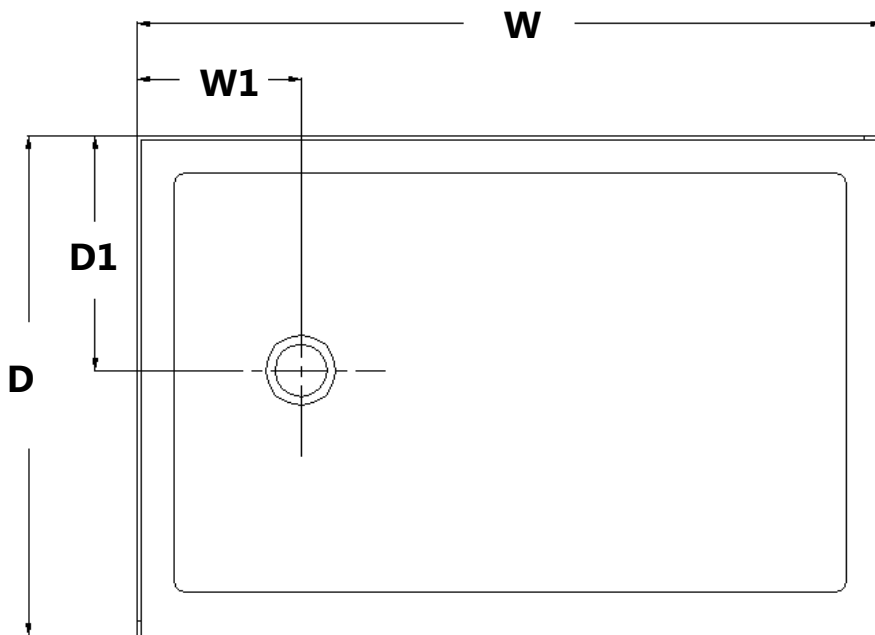
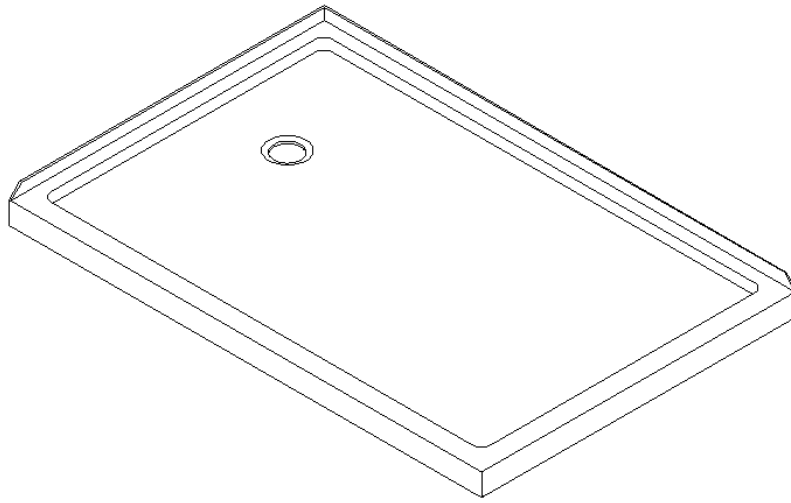
### Corner Drain Configuration



SPECIFICATION	W (in)	C (in)
32" x 32"	32"	12"
36" x 36"	36"	12"
42" x 42"	42"	12"

## DOUBLE THRESHOLD SHOWER BASE

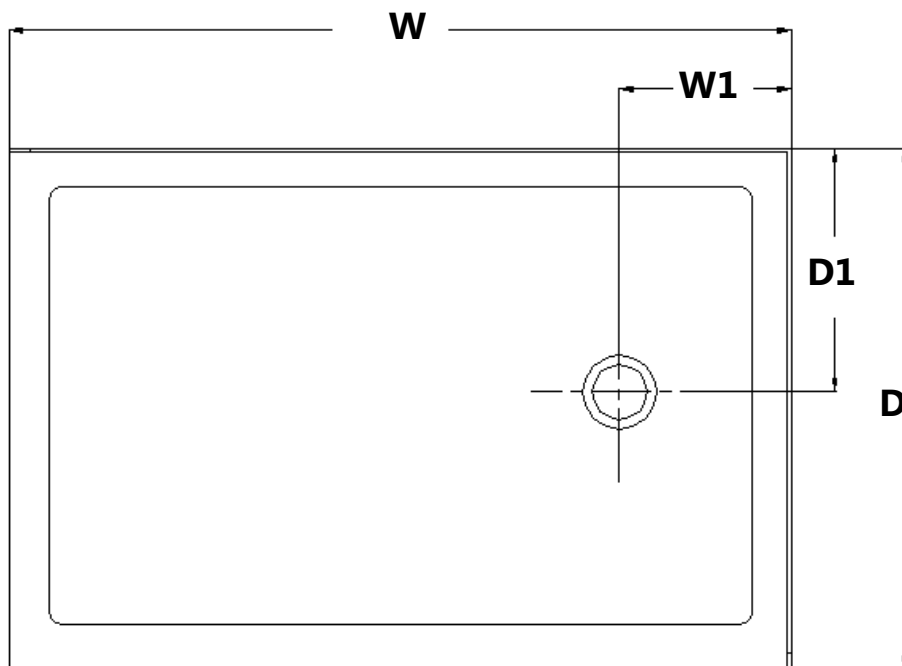
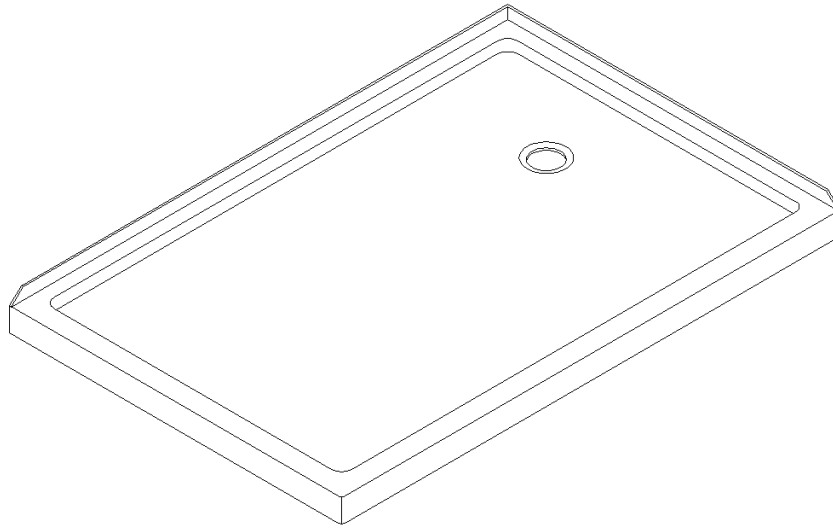
### Left-Hand Drain Configuration



SPECIFICATION	D (in)	W (in)	D1 (in)	W1(in)
32"x48"	32"	48"	16"	12"
32"x60"	32"	60"	15"	12"
34"x48"	34"	48"	17"	12"
36"x48"	36"	48"	18"	12"
36"x54"	36"	54"	18"	12"
36"x60"	36"	60"	18"	12"
32"x48"	32"	48"	16"	12"

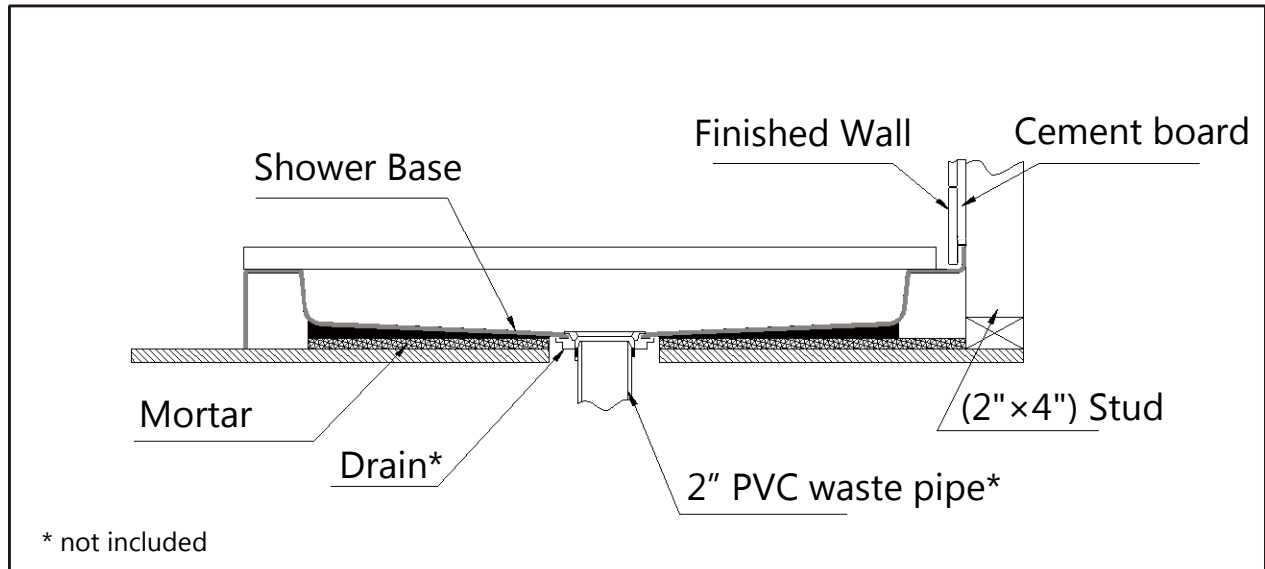
## DOUBLE THRESHOLD SHOWER BASE

### Right-Hand Drain Configuration



SPECIFICATION	D (in)	W (in)	D1 (in)	W1(in)
32"x48"	32"	48"	16"	12"
32"x60"	32"	60"	15"	12"
34"x48"	34"	48"	17"	12"
36"x48"	36"	48"	18"	12"
36"x54"	36"	54"	18"	12"
36"x60"	36"	60"	18"	12"

## Shower Base Cross Section Diagram

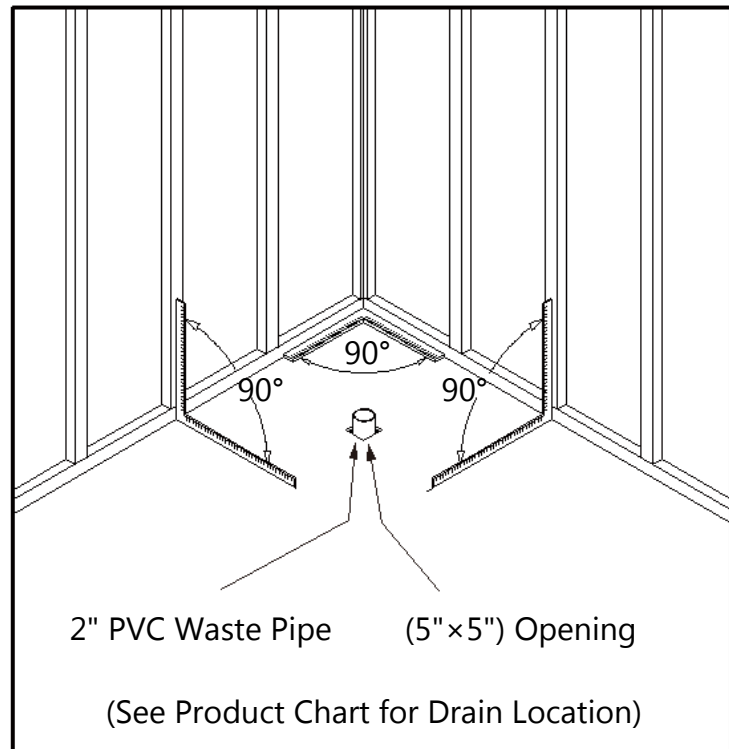


This product should be installed by someone familiar with the construction requirements for this type of project and the care necessary for the safe installation and operation of the product.

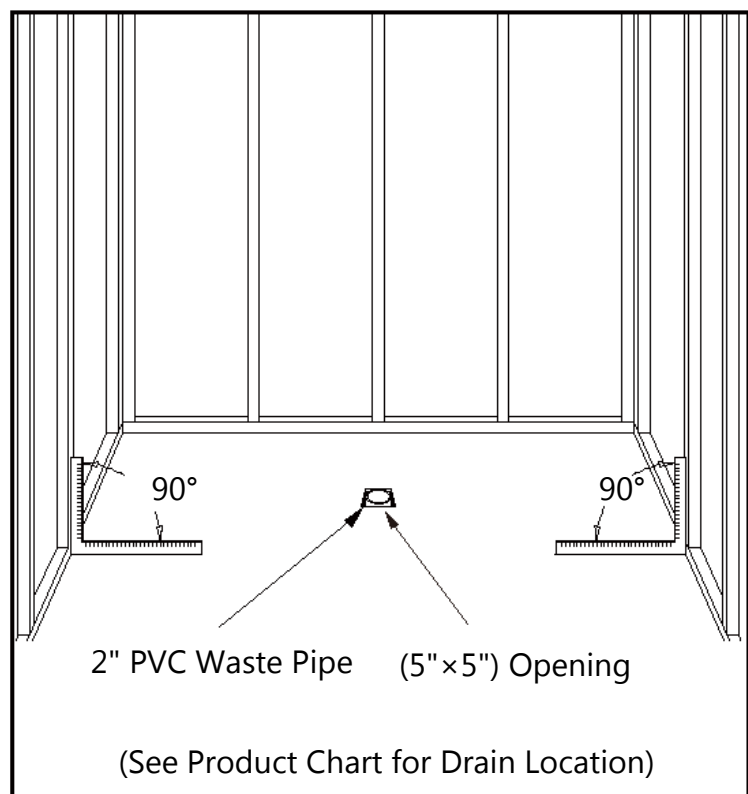
## Shower Base Installation - Preparation

1. Ensure that the floor and the studs are at right angles.  
Provide a 5"×5" opening in the sub-floor for the drain.  
The 2" PVC waste pipe should extend above the surface of the sub-floor according to the drain installation instructions and the height of the Shower base.  
Refer to the product drawings and tables in this installation manual for the drain location.

### **(Fig 1a and Fig 1b)**



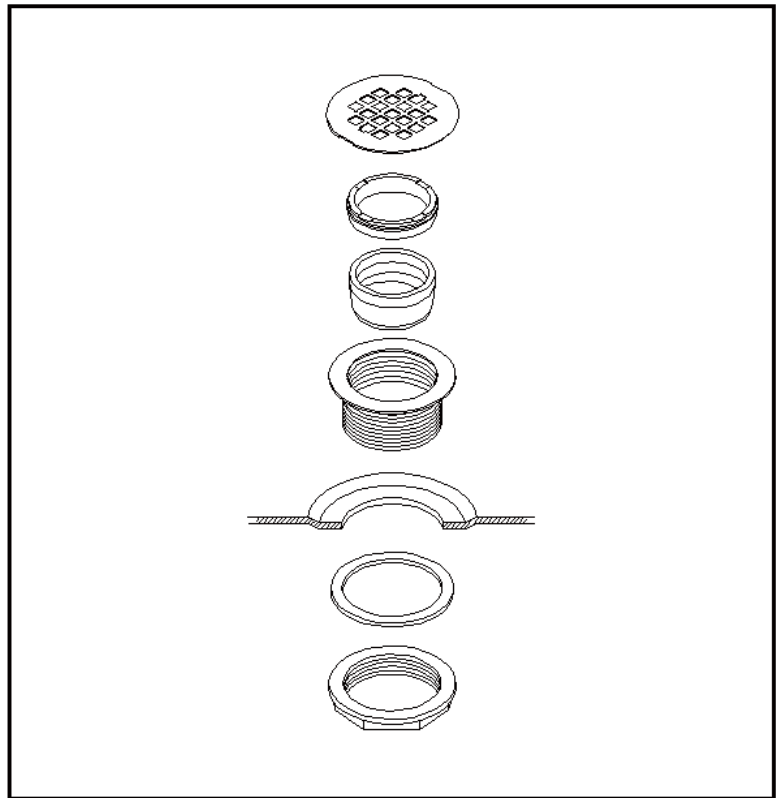
**Fig 1a**



**Fig 1b**

2. Install the shower drain (**NOT INCLUDED**) according to the drain installation manual (supplied with the drain).

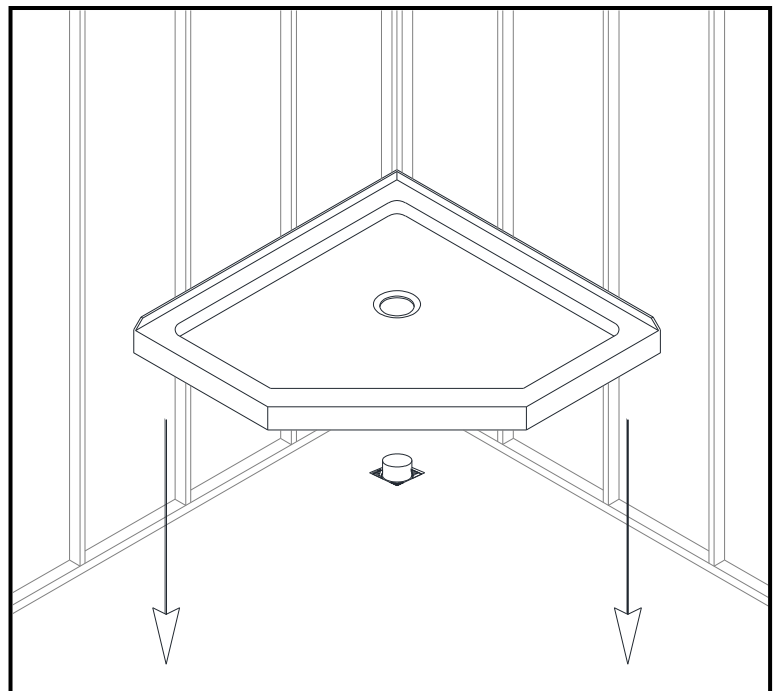
**(Fig 2)**



**Fig 2**

3. Place the tray into the designated position so that the Drain cutout drops around the Drainpipe and butt the Shower Base up against the studs.

**(Fig 3)**

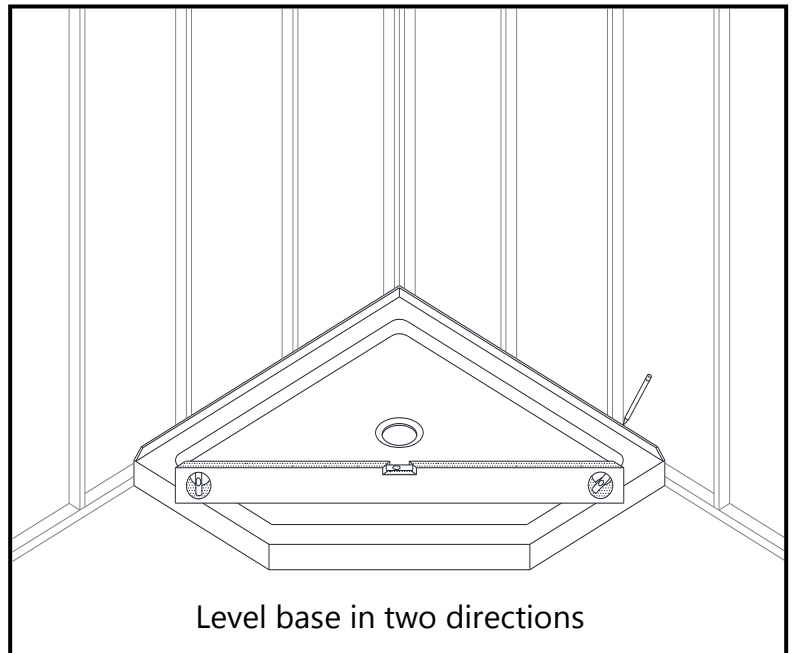


Lower the base over the drain pipe and set it into place against the studs.

**Fig 3**

4. Level the tray and place marks on the studs above the upper edge of the tile flange.

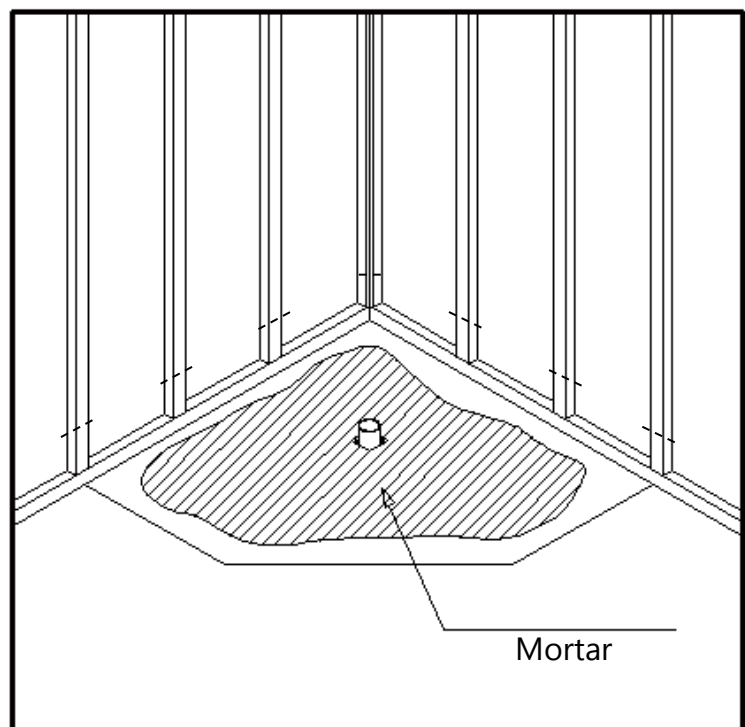
**(Fig 4)**



**Fig 4**

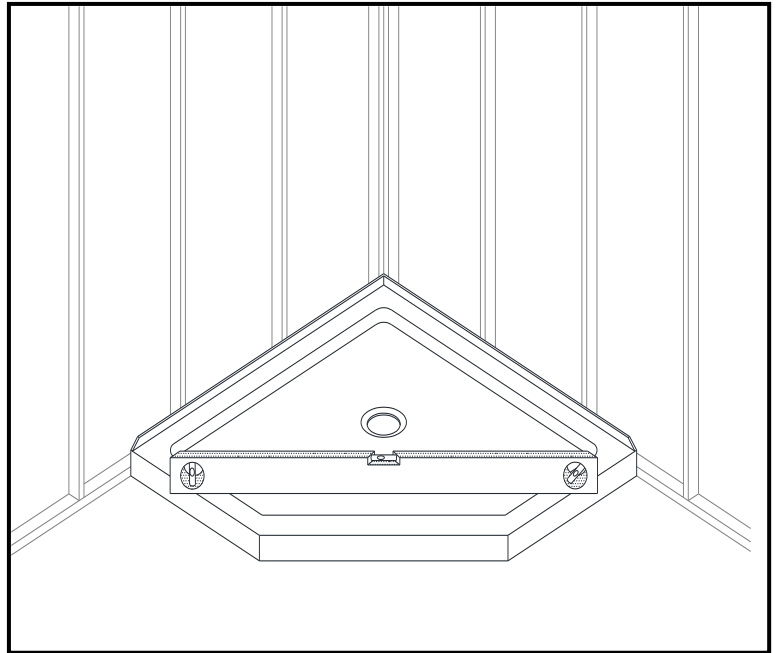
5. Mix the bedding material (Mortar, cement-sand mix, etc.) **Concrete or plaster is not recommended.** Apply enough bedding material to support the entire bottom of the shower base. This will add additional stability and prevent the base from shifting position.

**(Fig 5)**



**Fig 5**

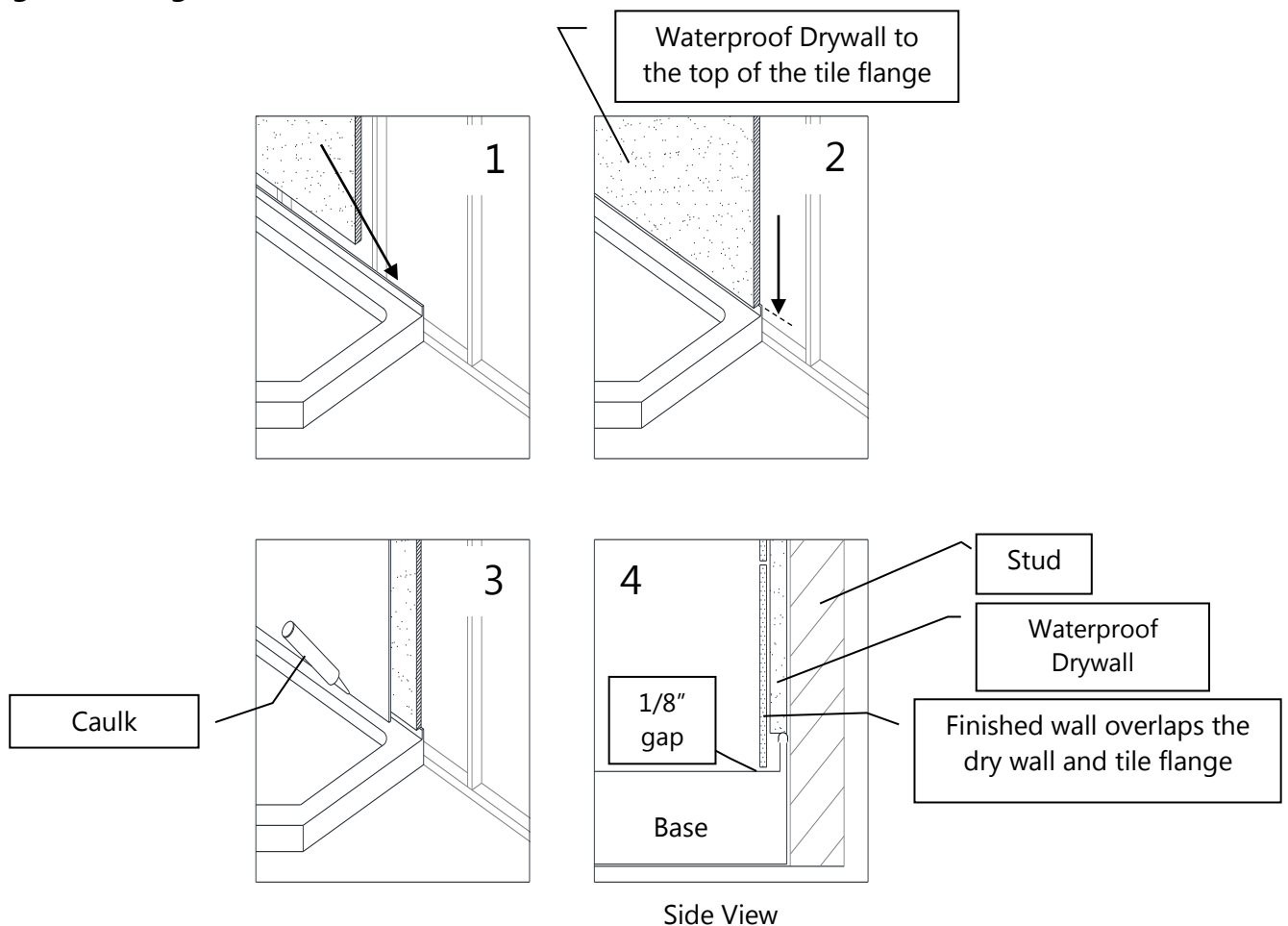
6. After the bedding material has been poured and *before* it sets, place the shower base into the position with the drain assembly sliding over the PVC waste pipe. It will be necessary to push the shower base until the top of the tile flange aligns with the marks drawn on the studs and the front edge is contacting the rough floor along the entire length of the shower base. Ensure that the base is level in all directions. You may need to use shims to hold the tray level until the bedding fully sets. Remove all excess mortar.



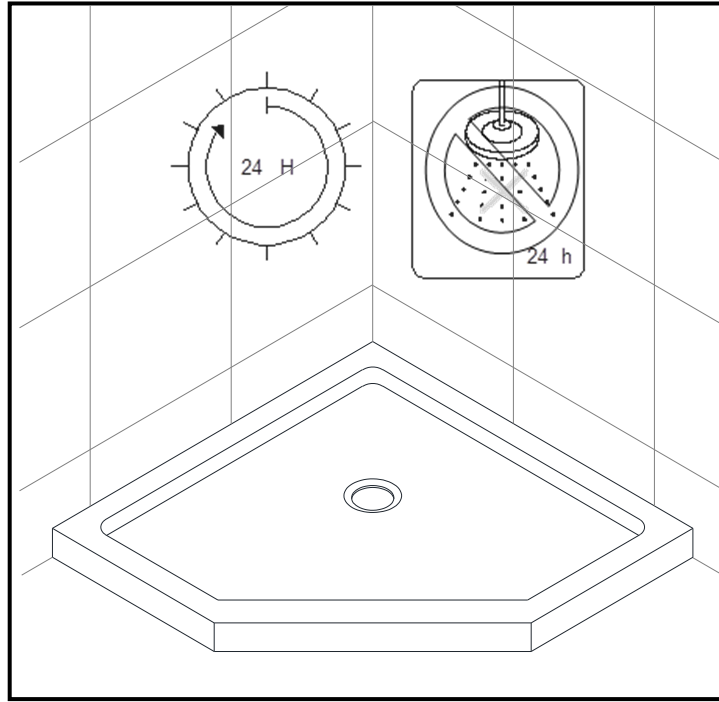
**Fig 6**

7. Allow the bedding material to completely harden before applying weight to the bottom of the shower base. Install the cement board (or the wallboard) above the tile flanges and secure it to the studs. Put the tiles (or other finishing wall material) over the cement board leaving 1/8" gap between the bottom of the tile or wall kit and the shower base. Use caulk to fill the gap.

**(Fig 7a and Fig 7b)**



**Fig 7a**



**Fig 7b**

## **Product Maintenance**

**BASES and BACKWALLS:** To ensure long lasting life for your acrylic base and/or back walls: wipe them off after each use with a soft cloth. To clean the acrylic base or back walls use non-abrasive sprays or cream-based cleaners. Avoid the use of aerosol spray cleaners. Never use abrasive cleansers, metal brushes or scrapers that could scratch or dull the surface.

**GLASS:** To ensure long-lasting life for your glass shower products: wipe them off after each use with a soft cloth. Rinse and wipe off the glass using either a soft cloth or a squeegee to prevent soap buildup and water spots (Hard water can etch the surface of the glass over time if left to dry). To prevent scratching the surface: never use abrasive cleaners or cleaning products that contain scouring agents. Never use bristle brushes or abrasive sponges that may scratch the surface.

**HARDWARE:** To ensure a long-lasting finish: wipe off the metal parts after each use with a soft cloth. Do not use abrasive cleaners or cleaning products containing ammonia, bleach or acid. If accidentally used, rinse the surface as soon as possible to prevent damage to the finish (peeling or corrosion). After cleaning the polished finishes, rinse thoroughly and wipe dry with a soft cloth.

Clean stainless-steel surfaces at least once a week. When applying stainless steel cleaner or polish to stainless steel hardware, work with (not across) the grain. Never use an abrasive sponge or cloth, steel wool or wired brush as these may permanently scratch the surfaces.

**NOTE:** To maximize the life of your door, it is important to regularly inspect the glass and other hardware for misalignment, proper attachment, and/or damage. Contact the manufacturer with any questions or concerns.

# NOTES

---