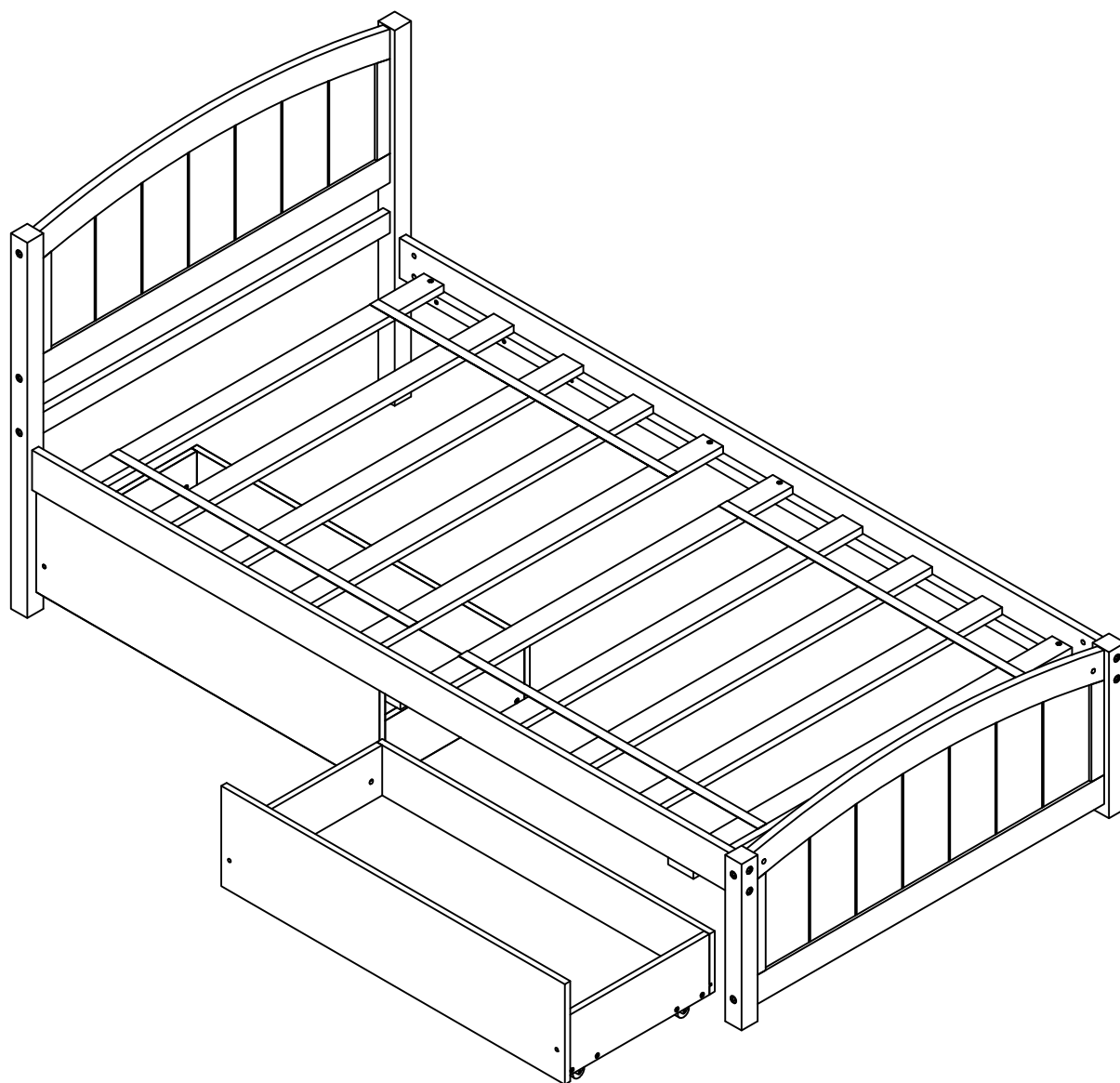
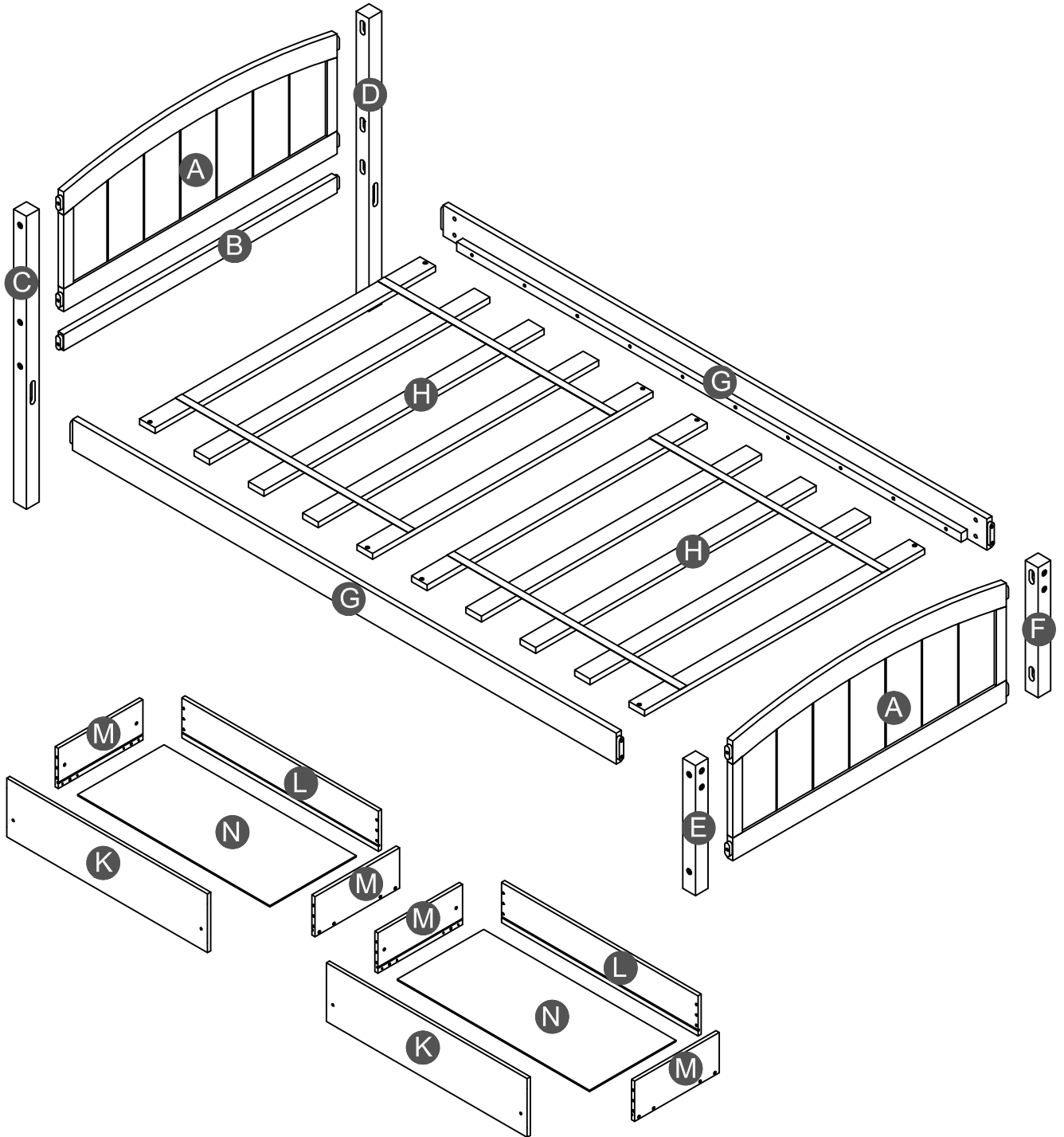


ASSEMBLY INSTRUCTIONS

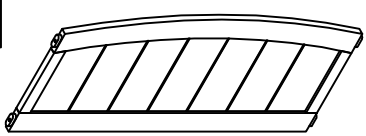
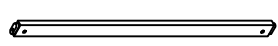
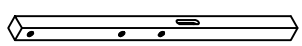

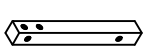
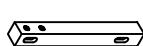

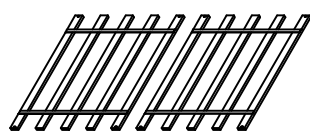
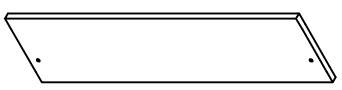

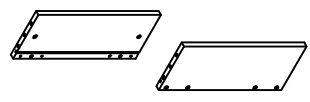
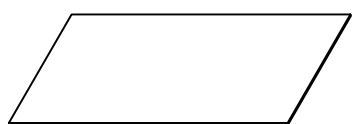
TWIN BED WITH DRAWER



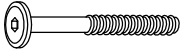
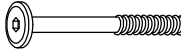


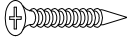
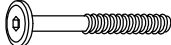
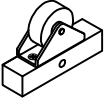
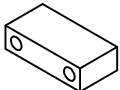


Detail View



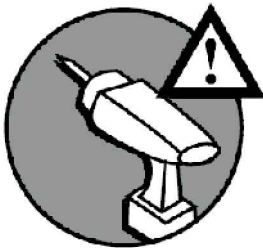
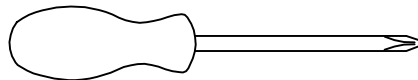
Part List

<p>A</p>  <p>Headboard & Footboard - 2pcs</p>	<p>B</p>  <p>Headboard horizontal bar - 1pc</p>	<p>C</p>  <p>Leg headboard(Left) - 1pc</p>
<p>D</p>  <p>Leg headboard(Right) - 1pc</p>	<p>E</p>  <p>Leg footboard(Right) - 1pc</p>	<p>F</p>  <p>Leg footboard(Left) - 1pc</p>
<p>G</p>  <p>Side rail - 2pcs</p>	<p>H</p>  <p>Slat - (10pcs)</p>	<p>K</p>  <p>Drawer front - 2pcs</p>
<p>L</p>  <p>Drawer back - 2pcs</p>	<p>M</p>  <p>Drawer (Left / Right)- 4pcs</p>	<p>N</p>  <p>Drawer bottom - 2pcs</p>

Hardware List

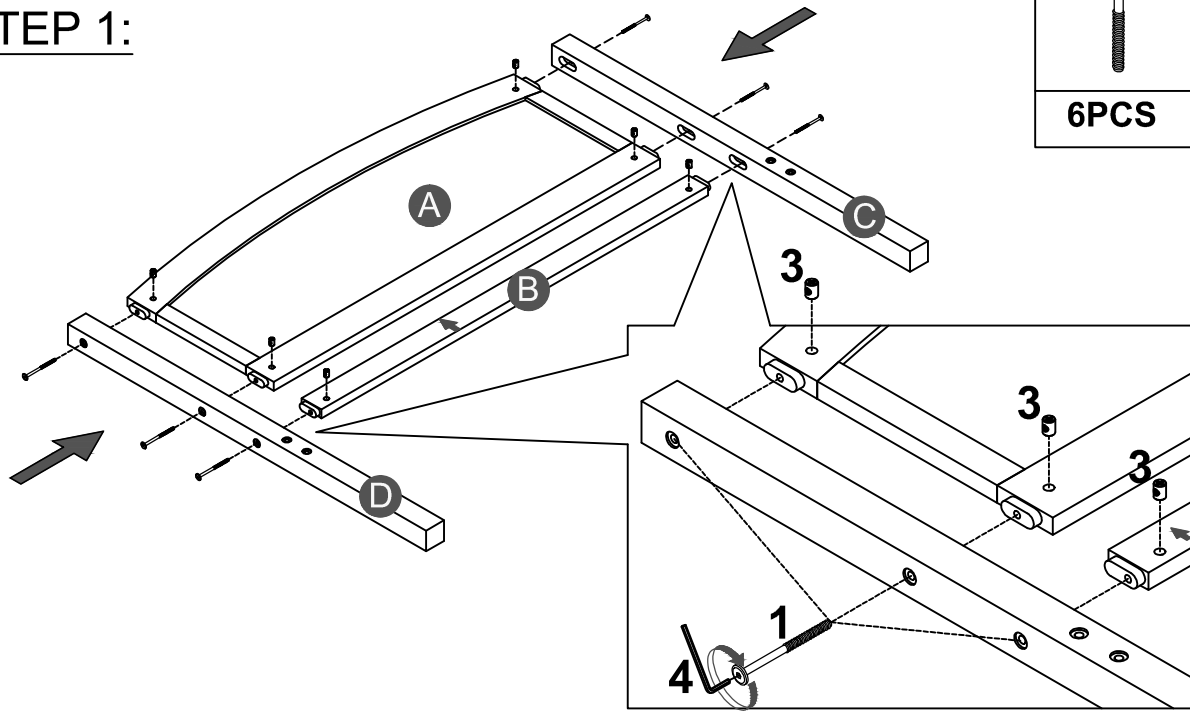
1  (Ø15)1/4"*80mm Hex-Head bolts (10pcs)	2  (Ø15)1/4"*100mm Hex-Head bolts (8pcs)	3  1/4"*15 (9.5mm) Horizontal-Hole bolts(26pcs)
4  (1/4")4.5*58mm Allen key (1pc)	5  Ø4*30mm Wood screws (30pcs)	6  (Ø12)1/4"*60mm Hex-Head bolts (8pcs)
7  100*54*20 mm Wheels (8pcs)	8  70*35*19 mm Wood support drawer (3pcs)	9  Ø8*30mm Wood dowel (16pcs)
10  Ø10*20mm Wood dowel (8pcs)		



ASSEMBLY TOOLS REQUIRED (NOT INCLUDED)



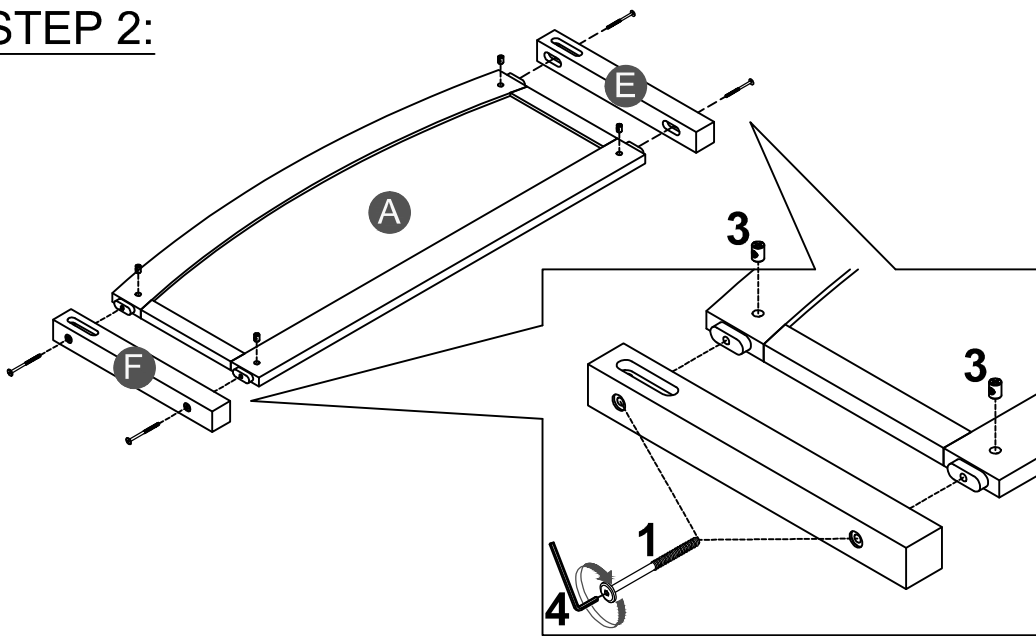
PLEASE BE CAREFUL DO NOT DAMAGE THE HOLE POSITION WHEN YOU USE POWER TOOLS !



STEP 1:



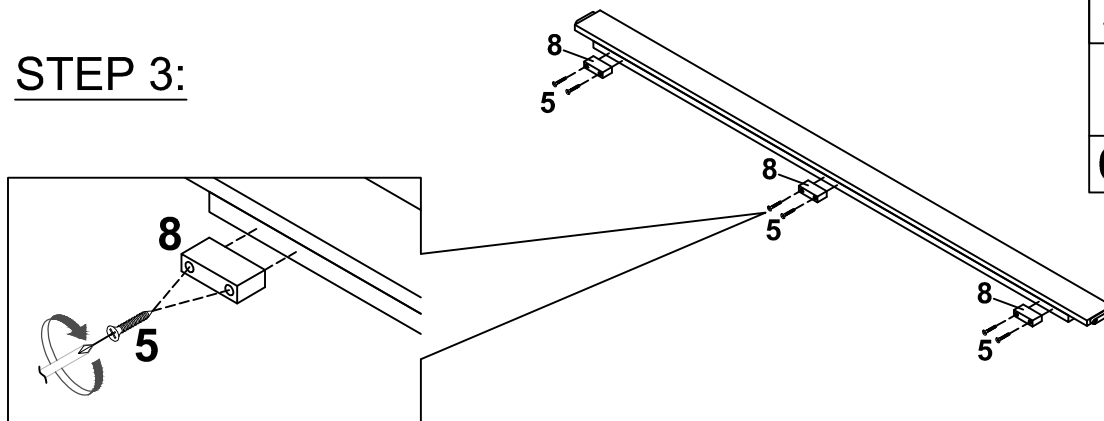
1		3	
6PCS		6PCS	


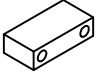
STEP 2:



1		3	
4PCS		4PCS	



STEP 3:

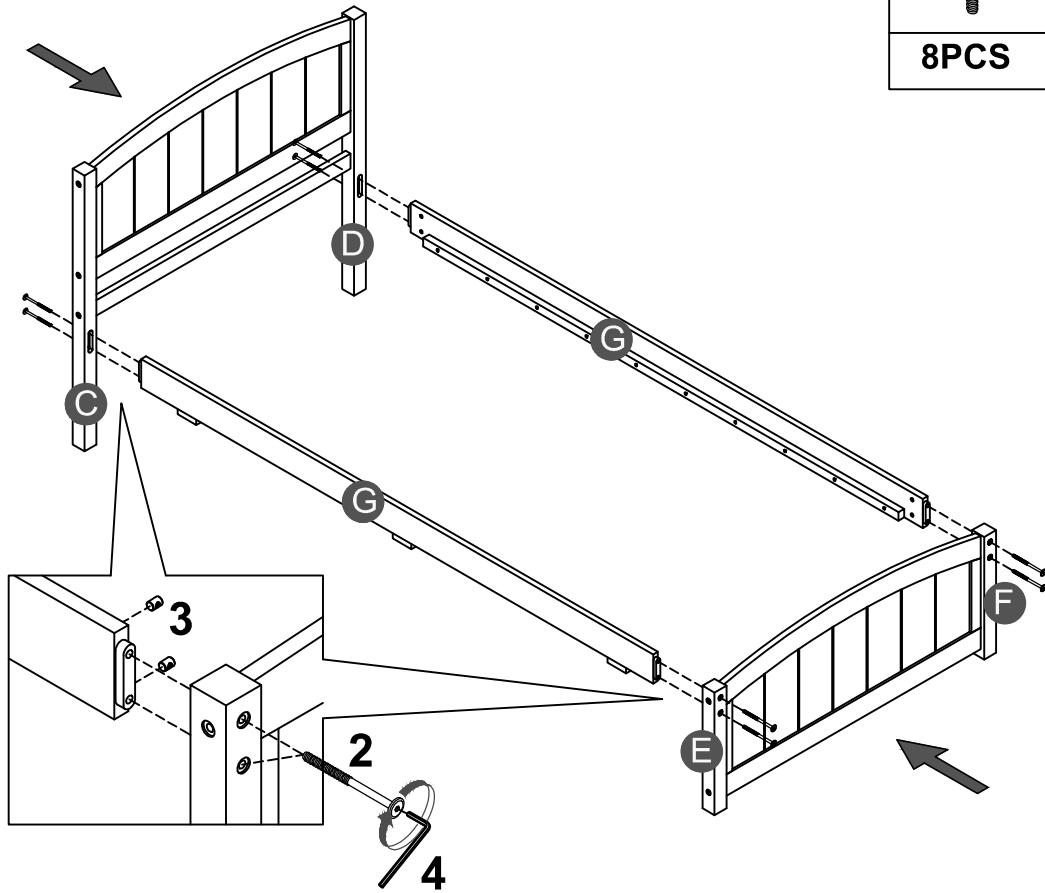


5		8	
6PCS		3PCS	


Wood support drawer (8) with side rail(front) by using screw (5).

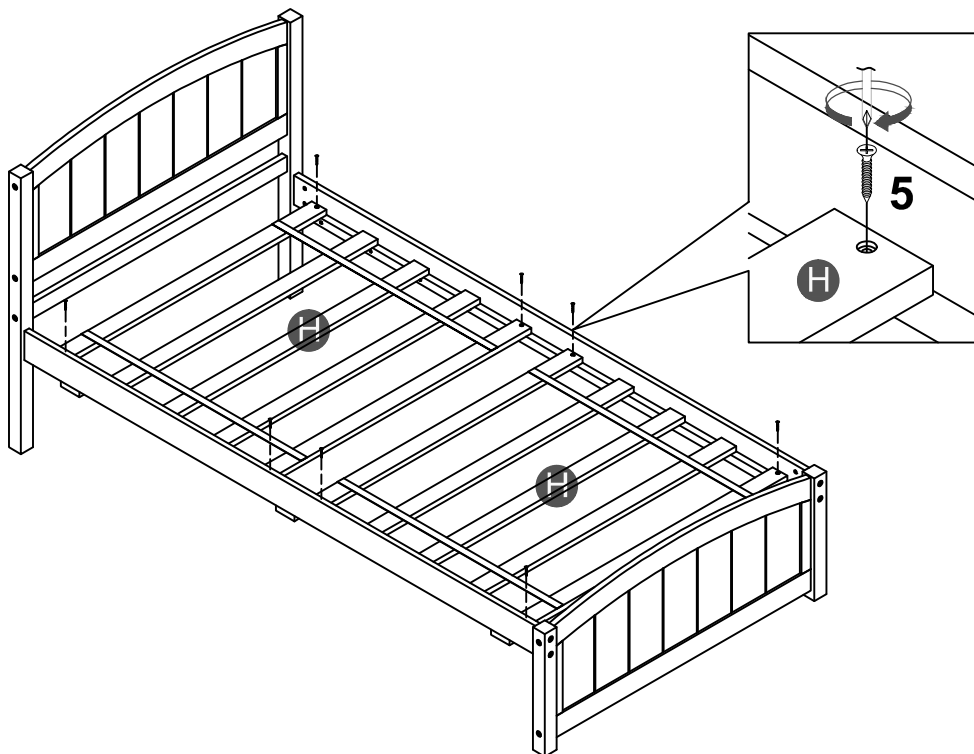
STEP 4:

2		3	
8PCS		8PCS	

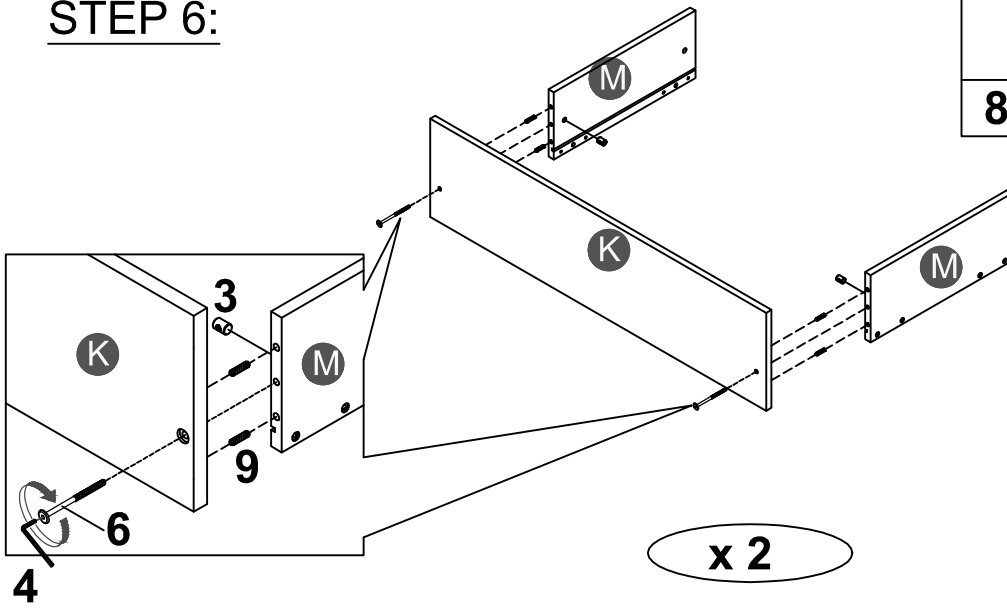


STEP 5:

5	
8PCS	

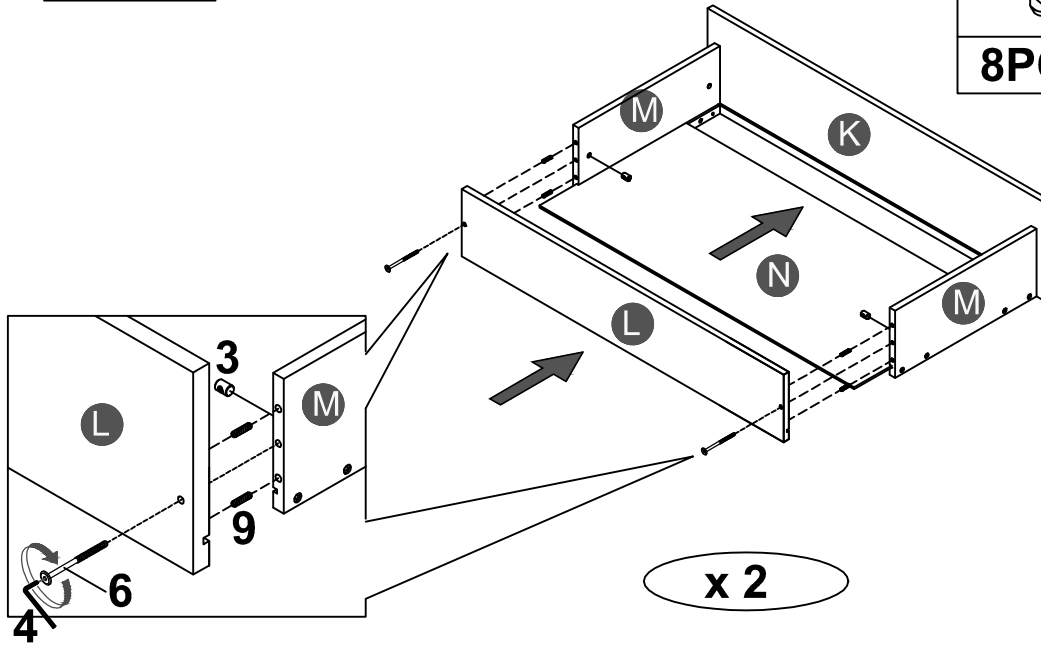


STEP 6:



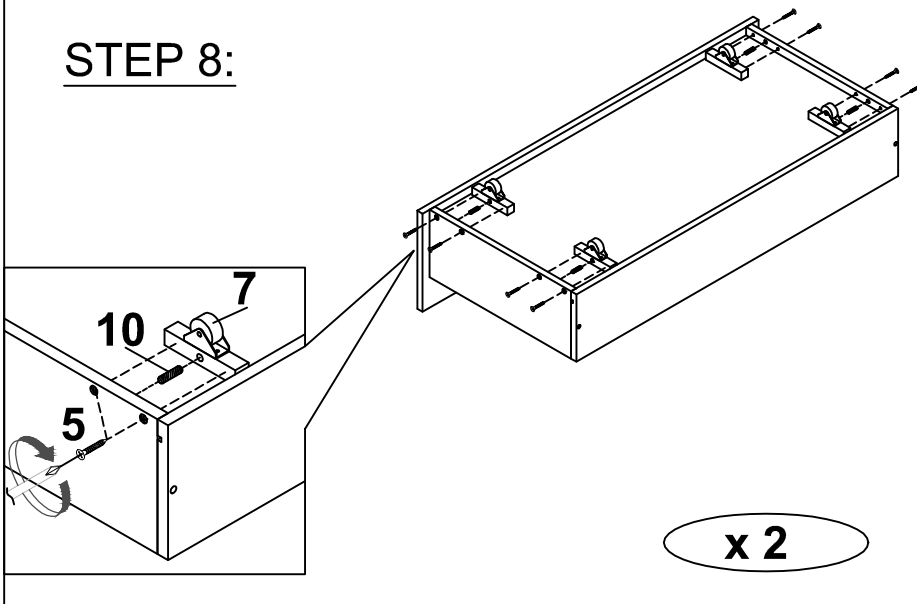
9		3		6	
	8PCS		4PCS		4PCS

STEP 7:

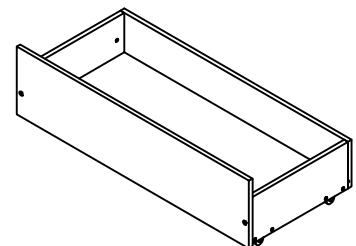


9		3		6	
	8PCS		4PCS		4PCS

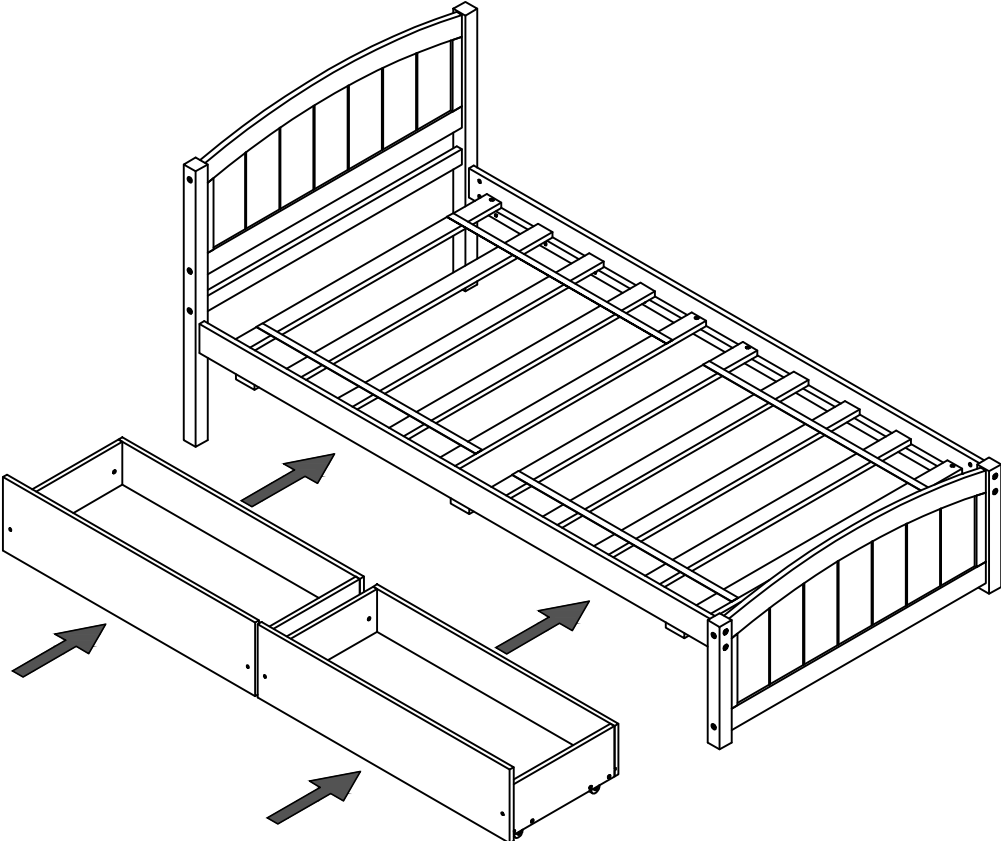
STEP 8:



10		5		7	
	8PCS		16PCS		8PCS



STEP 9:



Push Drawer under the bottom of Twin Bed.

