

INSTRUCTION MANUAL ENCLOSED

ATTENTION

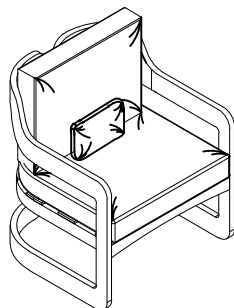
**IF YOU HAVE ANY PROBLEMS OR QUESTIONS, EMAIL OR CALL
CUSTOMER SERVICE BEFORE YOU RETURN THIS PRODUCT TO THE
STORE WHERE IT WAS PURCHASED.**

****When emailing Customer Service, please include your **Order Number** and **platform of purchase** in the email subject for quicker assistance.**

INSTRUCTION MANUAL ENCLOSED

OUTDOOR CHAIR

ASSEMBLY INSTRUCTION



PARTS LIST

Parts	Description	Quantity
-------	-------------	----------

PARTS

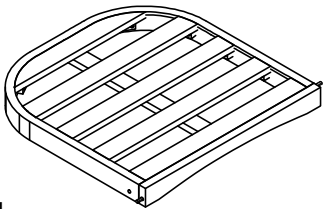
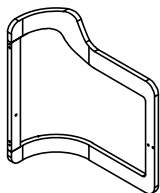
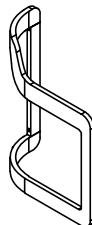
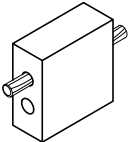
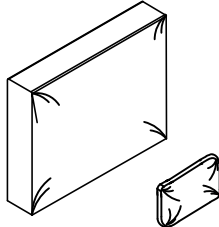
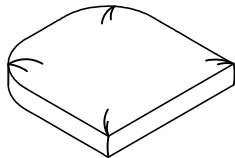
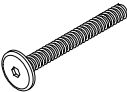
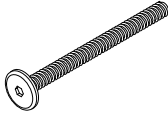

A	Seat Frame	1
B	Left Frame	1
C	Right Frame	1
D	Connect Parts	2
E	Back Cushion & Pillow	1
F	Seat Cushion	1

HARDWARE

G	Bolt $\text{Ø}1/4 \times 1-1/2$ "	4
H	Bolt $\text{Ø}1/4 \times 2-3/4$ "	4
I	Allen Key	1

SPARE PARTS

G	Bolt $\text{Ø}1/4 \times 1-1/2$ "	1
H	Bolt $\text{Ø}1/4 \times 2-3/4$ "	1
	Leveler	1

<p>A</p>  <p>x1</p>	<p>B</p>  <p>x1</p>	<p>C</p>  <p>x1</p>
<p>D</p>  <p>x2</p>	<p>E</p>  <p>x1</p>	<p>F</p>  <p>x1</p>
<p>G</p>  <p>x4 Ø1/4*1-1/2"</p>	<p>H</p>  <p>x4 Ø1/4*2-3/4"</p>	<p>I</p>  <p>x1</p>

PLEASE READ AND FOLLOW ALL SAFETY TIPS

GETTING STARTED

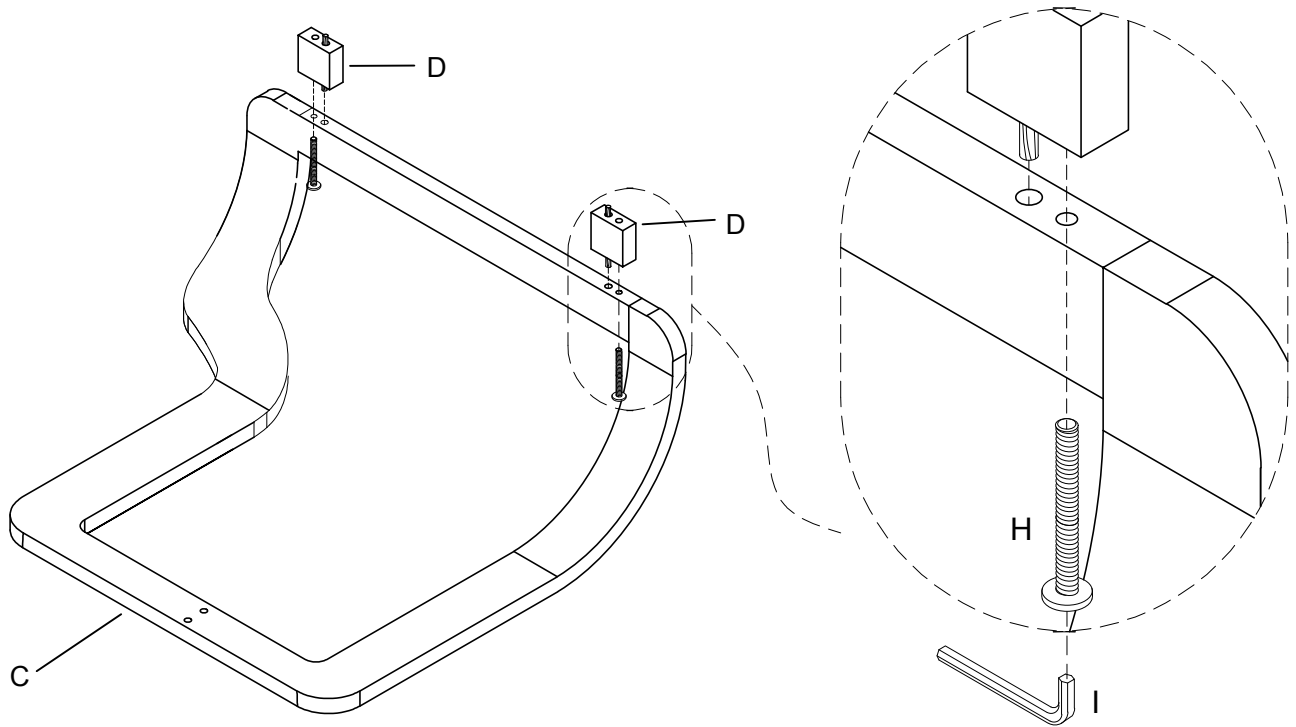
1. Before assembly, CAREFULLY use scissors or utility knife to cut and unwrap all parts. Make sure you do not discard the hardware.
2. Make sure that you have all the parts listed. If you are missing any parts, please email us. Please identify the parts you need and modelnumber. Make sure to include your name and address.
3. Please include your **Order Number** and **platform of purchase** in the email subject, and one of our customer service representative will get back to you.

Warm Tips:

1. The plastic covers on some metal parts are just for product protection. Please remove it before assembly.
2. Please follow the sequence of A-I during assembly.
3. Do not tighten the screws until all of them are in right positions.

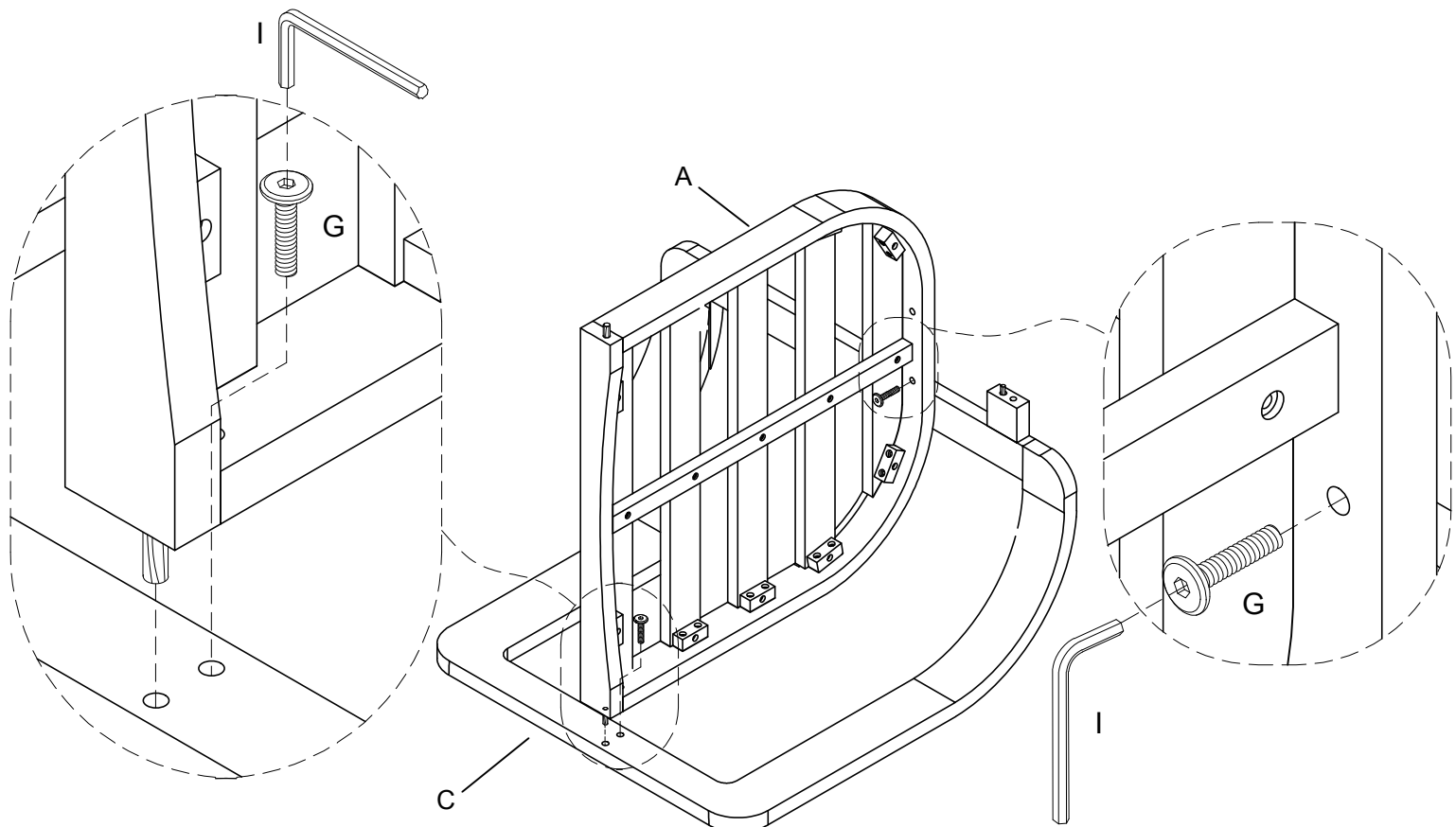
1

Position Right Frame(C) with Connect Parts(D) by the pre-drilled threads. Use Allen Key(I) to fasten Bolts(H) . Right Frame(C) should have 2 Bolts(H) fastened. (Photo 1)



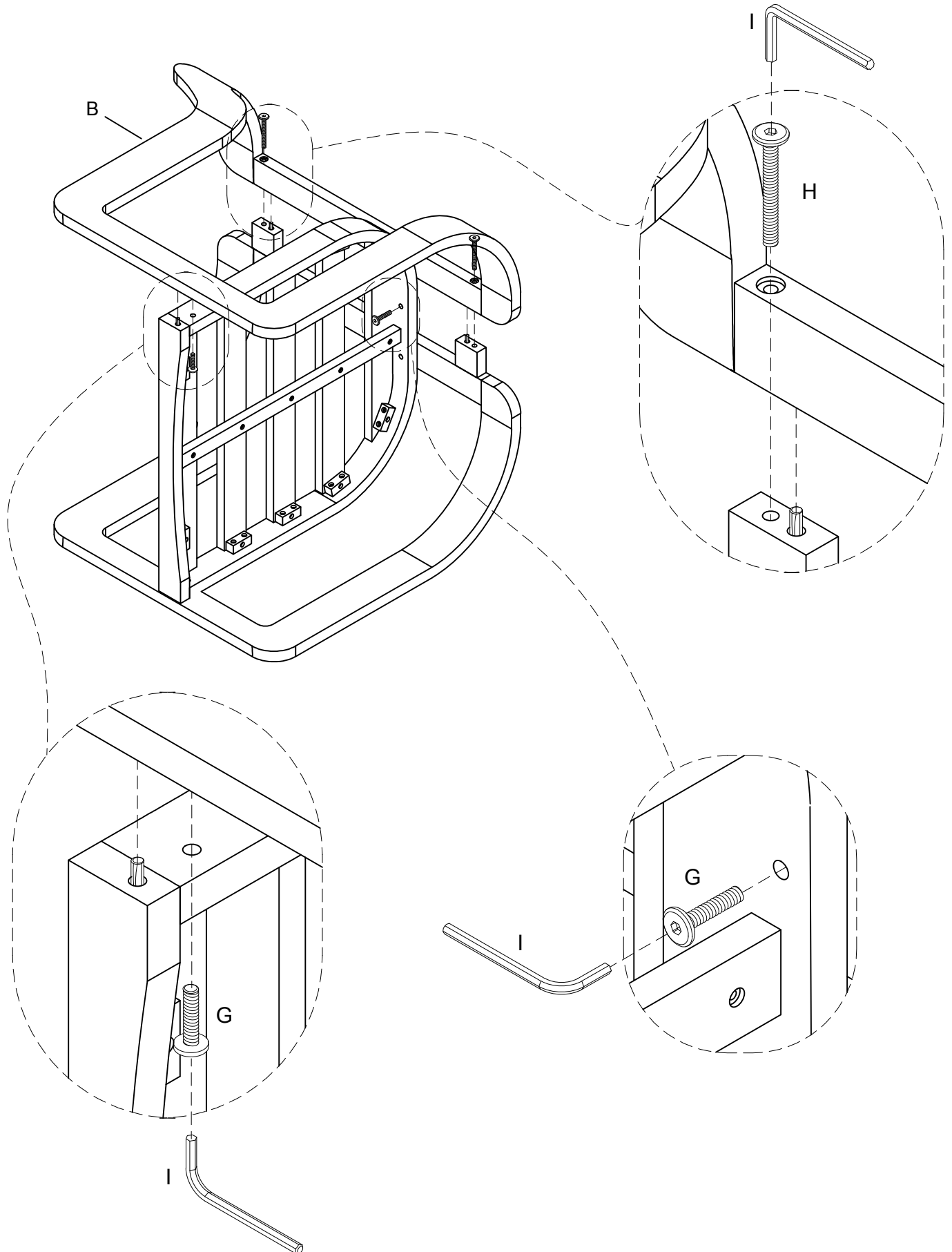
2

Position Seat Frame(A) with Right Frame(C) by the pre-drilled threads. Use Allen Key(I) to fasten Bolts(G) . Seat Frame(A) should have 2 Bolts(G) fastened. (Photo 2)



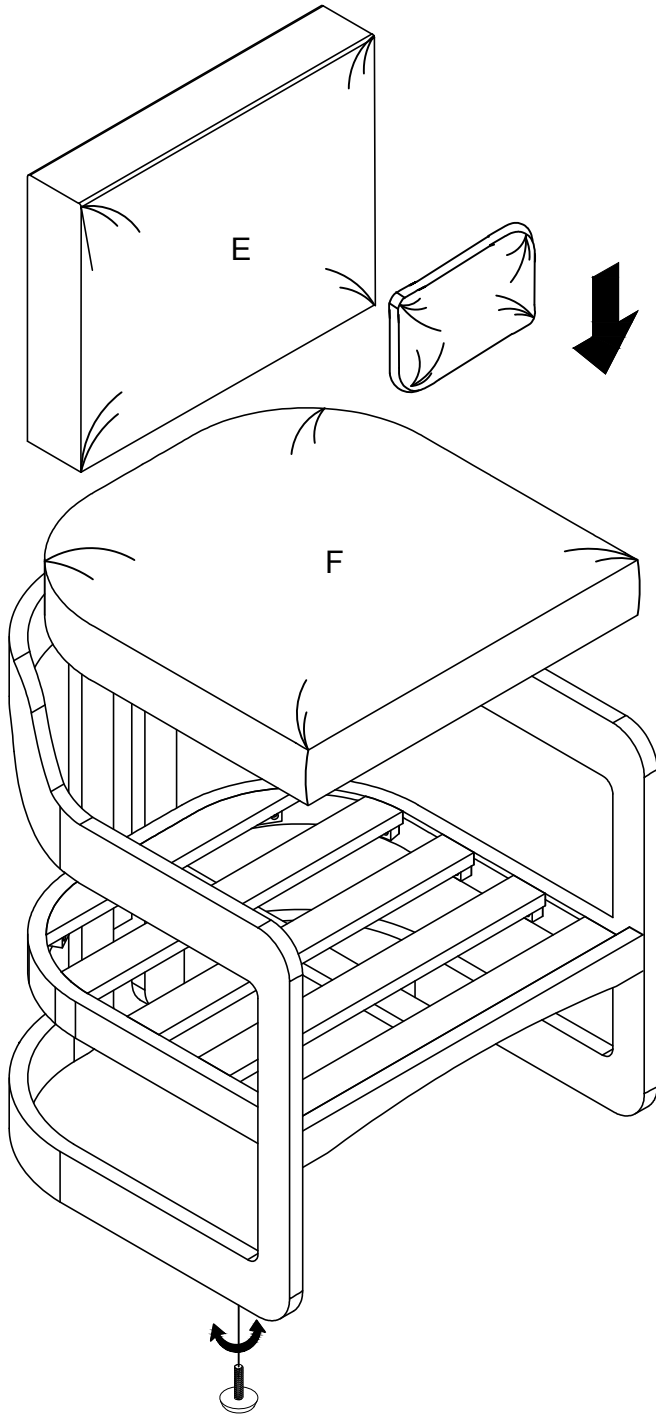
3

Position Left Frame(B) by the pre-drilled threads. Use Allen Key(I) to fasten Bolts(G),and Bolts(H) . Left Frame(B) should have 2 Bolts(G) , 2 Bolts(H) fastened. (Photo 3)

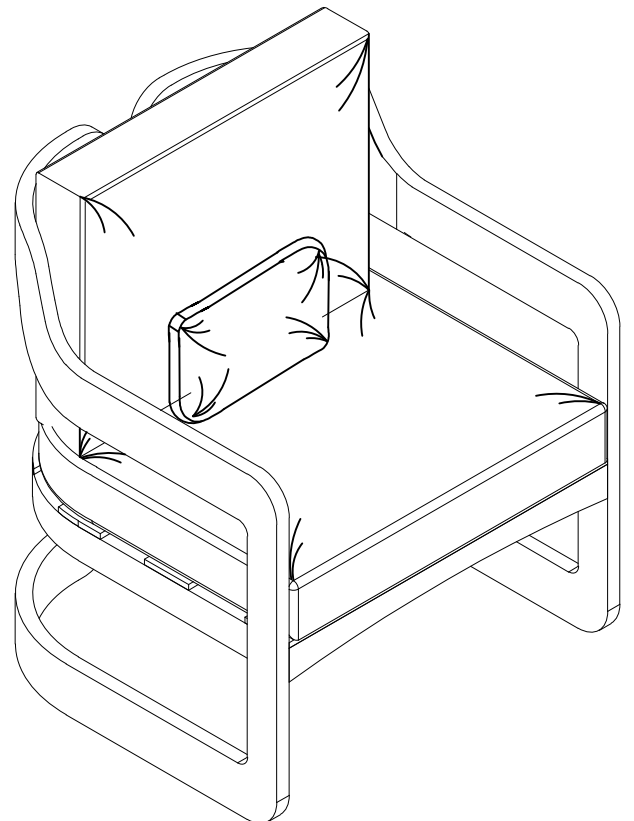


4

Place Back Cushion & Pillow(E) and Seat Cushion(F) on the assembled Chair as shown.



Leveler can be adjustable



You have completed assembling the furniture - enjoy!