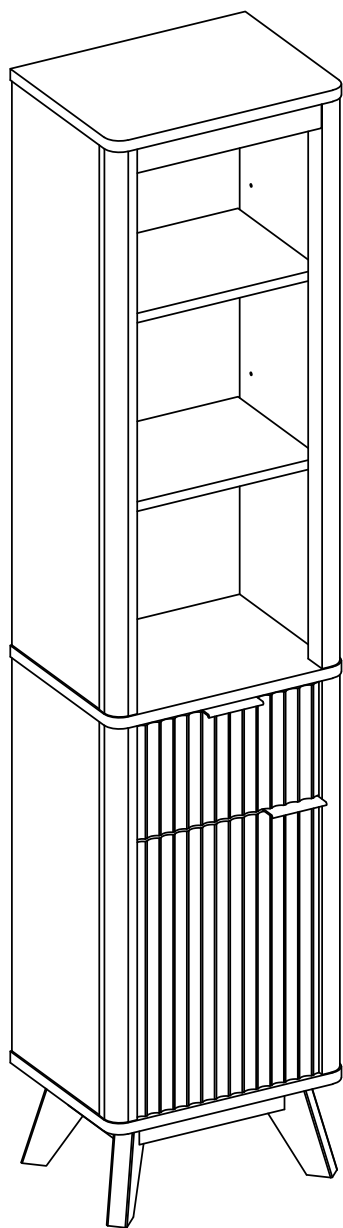
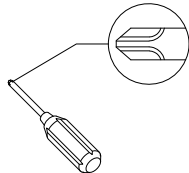


Assembly Instructions

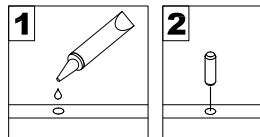


General Assembly Guidelines

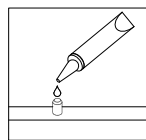
- I. Ensure that all parts and hardware are available before beginning assembly.
- II. Follow each step carefully to ensure the proper assembly of this product.
- III. Two people are recommended for ease in the assembly of this product.
- VI. A Phillips head screwdriver is required for the assembly of this product .



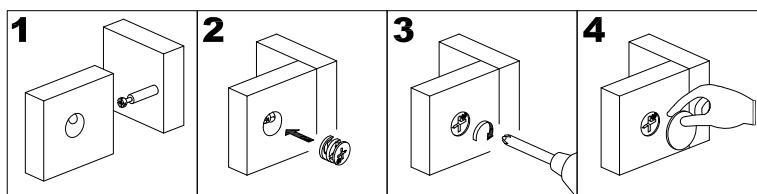
- V. The provided glue is to secure wood dowels in place . When first inserting dowels , locate the appropriate hole for the dowel , place a small amount of glue in the hole and insert the dowel . Wipe away excess glue immediately.



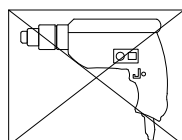
In future assembly steps when dowels are necessary to attach assembly parts together , place a small amount of glue on the end of the dowel before attaching parts together . Wipe away excess glue immediately.



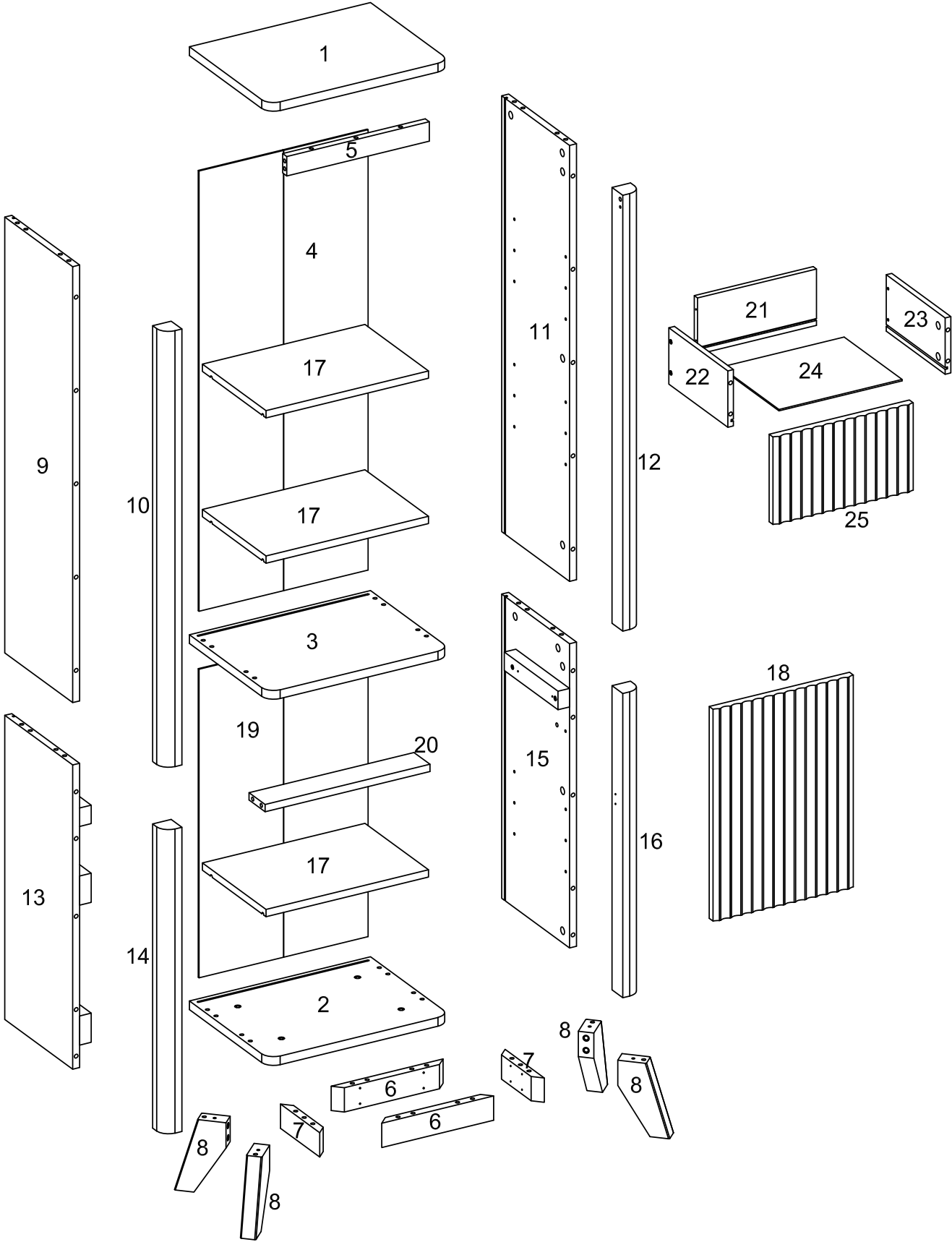
- VI. **HOW THE KNOCK DOWN (KD) ASSEMBLY SYSTEM WORKS**
 - 1.Screw the Cam Bolt into the pre-drilled hole on the panel. Make sure Cam Bolt goes into the pre-drilled hole on the end of panel for Cam Lock.
 - 2.Insert the Cam Lock into the pre-drilled large hole on the panel. Make sure the arrow on the face of Cam Lock points towards Cam Bolt.
 - 3.Take a Phillips screwdriver and rotate the Cam Lock clockwise to lock the Cam Bolt.
 - 4.Use the sticker to conceal the Cam.




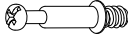




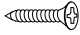


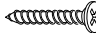

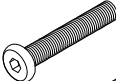
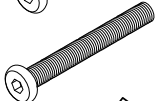
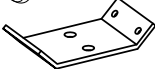


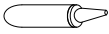
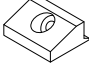
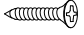
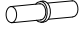
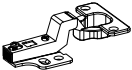

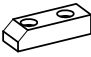

- VII. Power tools should not be used to assemble this product .

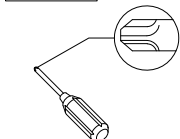


Parts List



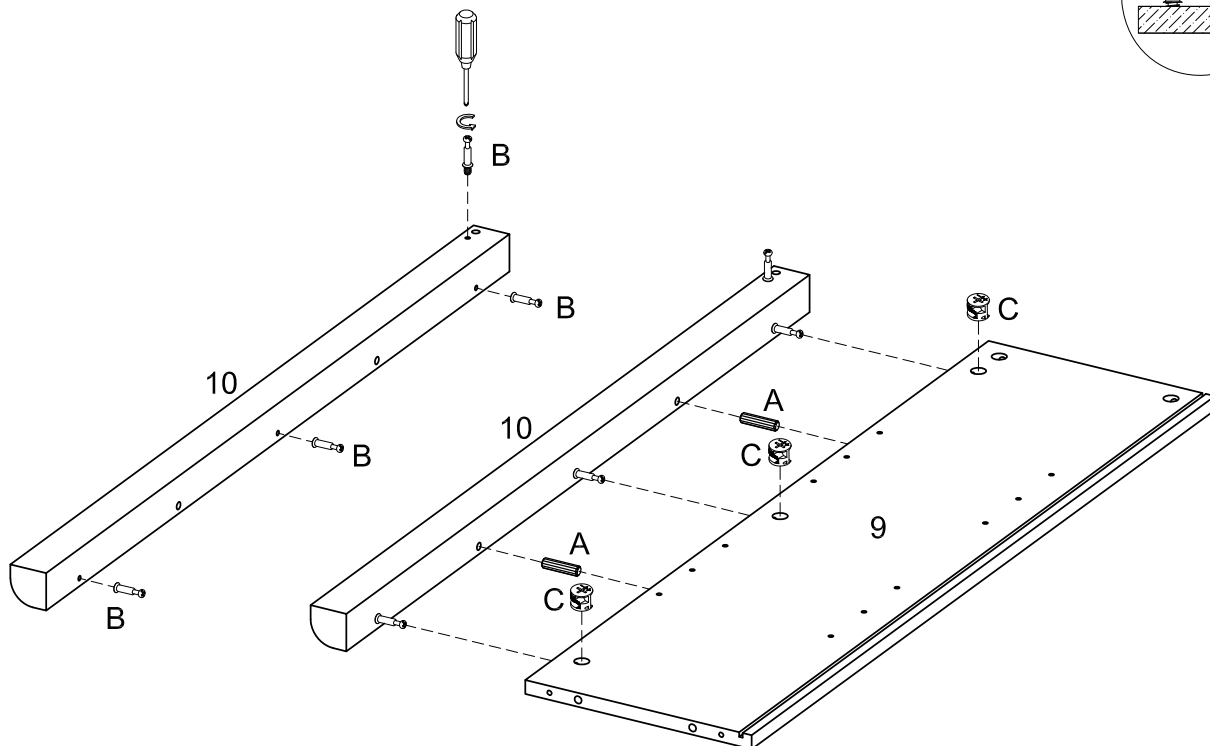
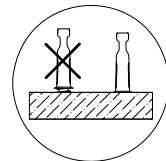
Hardware List

| | | | | |
|---|---|-----------|----------------------------|--------|
| A |  | Ø8x30mm | Dowel | 39 pcs |
| B |  | Ø6x35mm | Cam Bolt | 30 pcs |
| C |  | Ø15x12mm | Long Cam Lock | 26 pcs |
| D |  | Ø30mm | Cam Cover | 30 pcs |
| E |  | Ø15x10mm | Short Cam Lock | 4 pcs |
| F |  | | Handle | 2 pcs |
| G |  | Ø3x12mm | Screw | 6 pcs |
| H |  | Ø3x12mm | Screw | 8 pcs |
| I |  | 8" | Drawer Slider | 1 set |
| J |  | Ø4x35mm | Screw | 4 pcs |
| K |  | Ø5x15mm | Screw | 16 pcs |
| L |  | 1/4"x25mm | Bolt | 8 pcs |
| M |  | 1/4"x50mm | Bolt | 8 pcs |
| N |  | | Bracket | 4 pcs |
| O |  | M4 | Allen Wrench | 1 pc |
| P |  | Ø6x50mm | Screw | 12 pcs |
| Q |  | | Glue Tube | 1 pc |
| R |  | | Plastic Wedge | 20 pcs |
| S |  | Ø3x17mm | Flat-head Screw | 20 pcs |
| T |  | Ø5x16mm | Shelf Support Pin | 12 pcs |
| U |  | Ø35 | Europe Hinge | 2 pcs |
| V |  | Ø3.5x14mm | Screw | 12 pcs |
| W |  | 40*14 | Door Stopper | 1 pc |
| X |  | | Tipping Restraint Hardware | 1 pc |

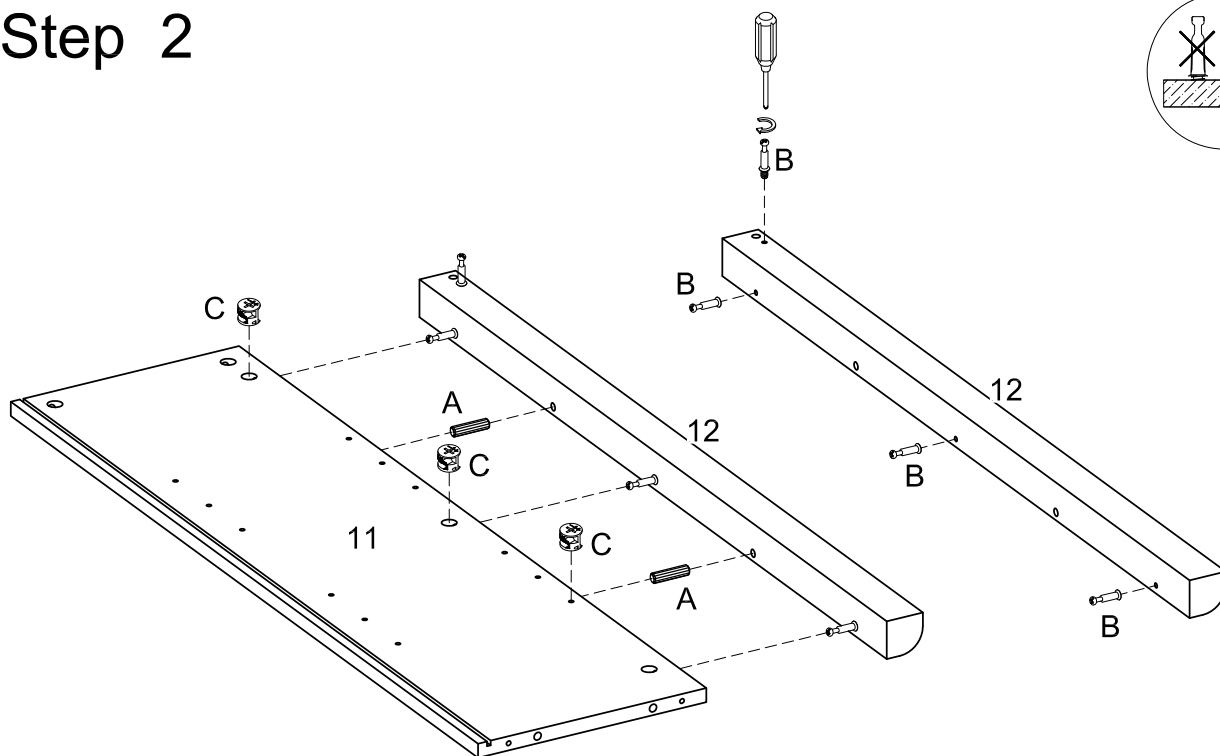
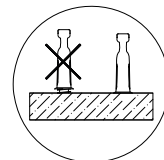


Philips head screwdriver required for assembly
(not included)

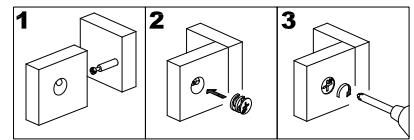
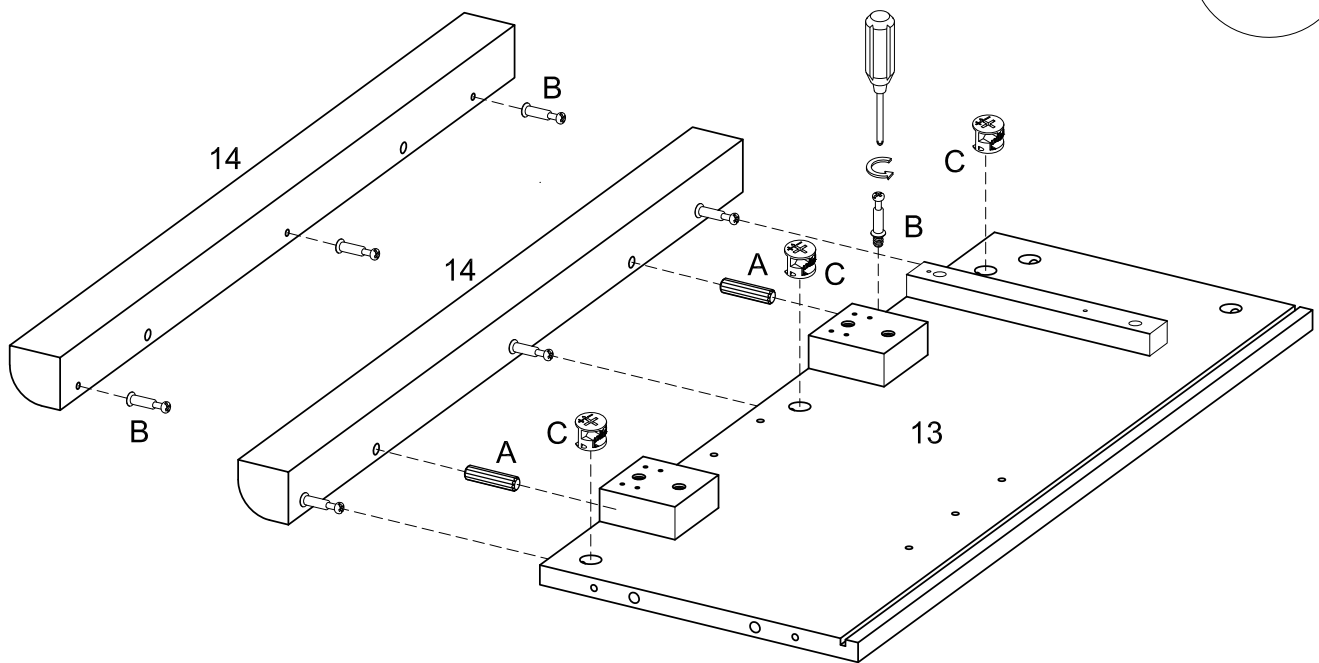
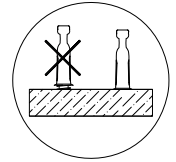
Step 1



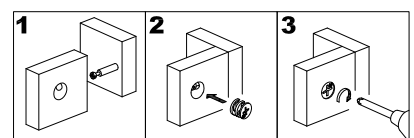
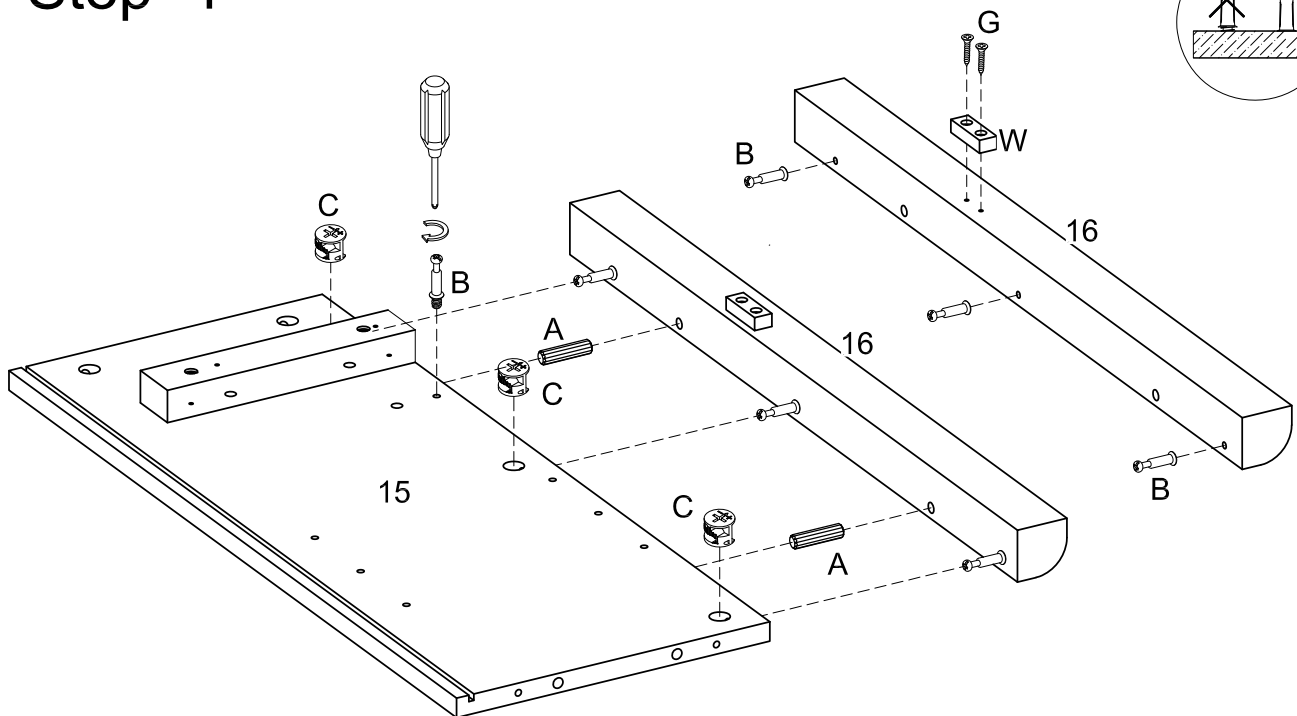
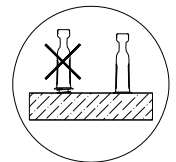
Step 2



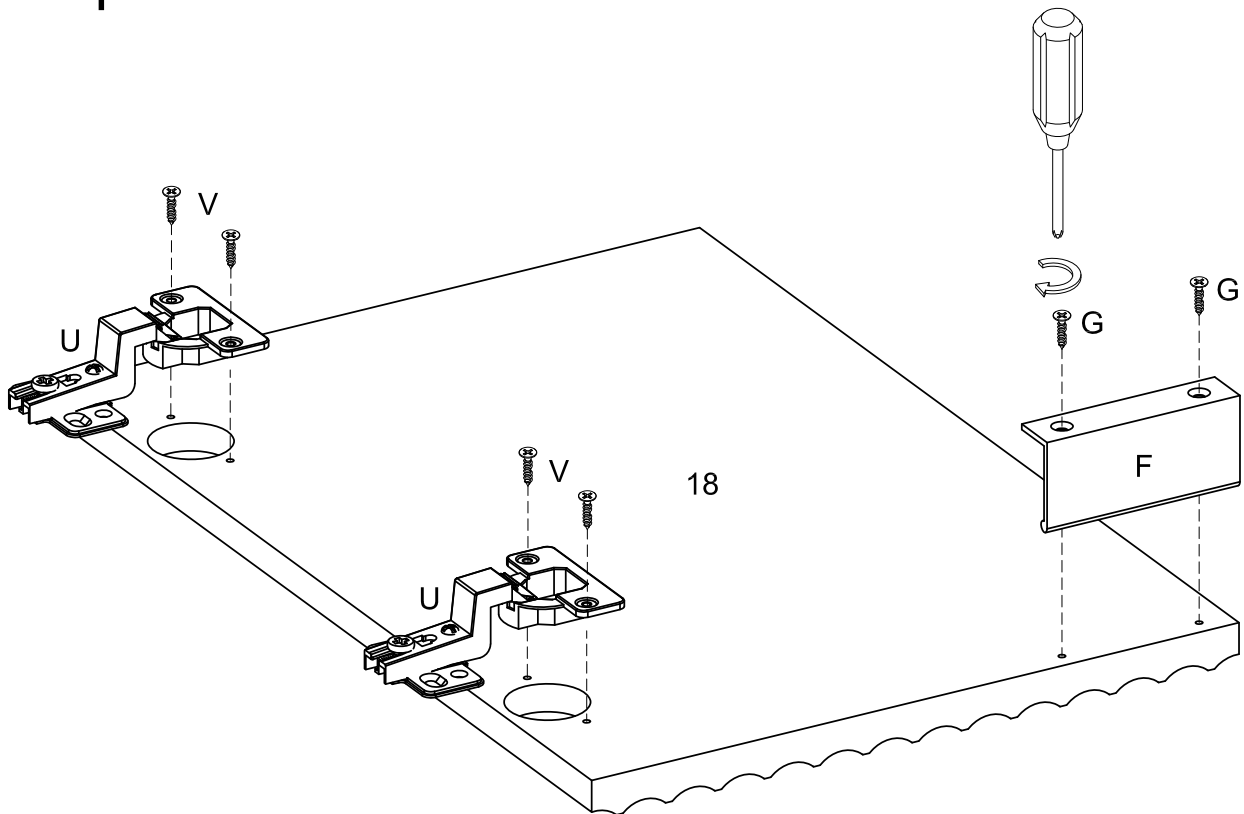
Step 3



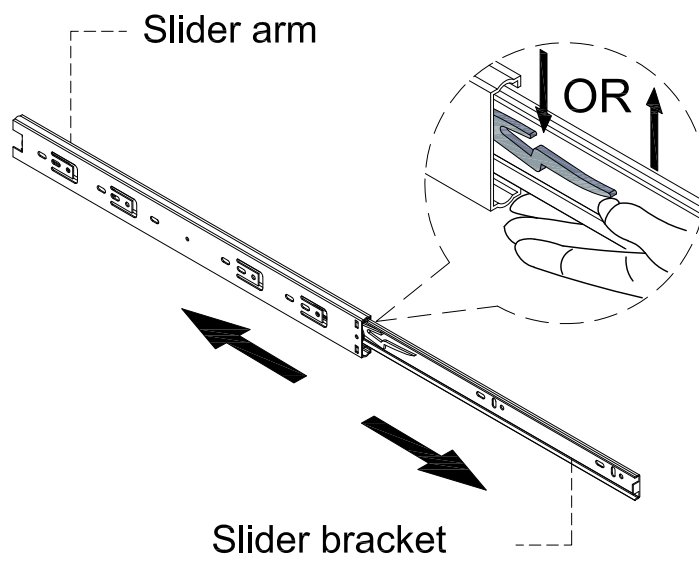
Step 4



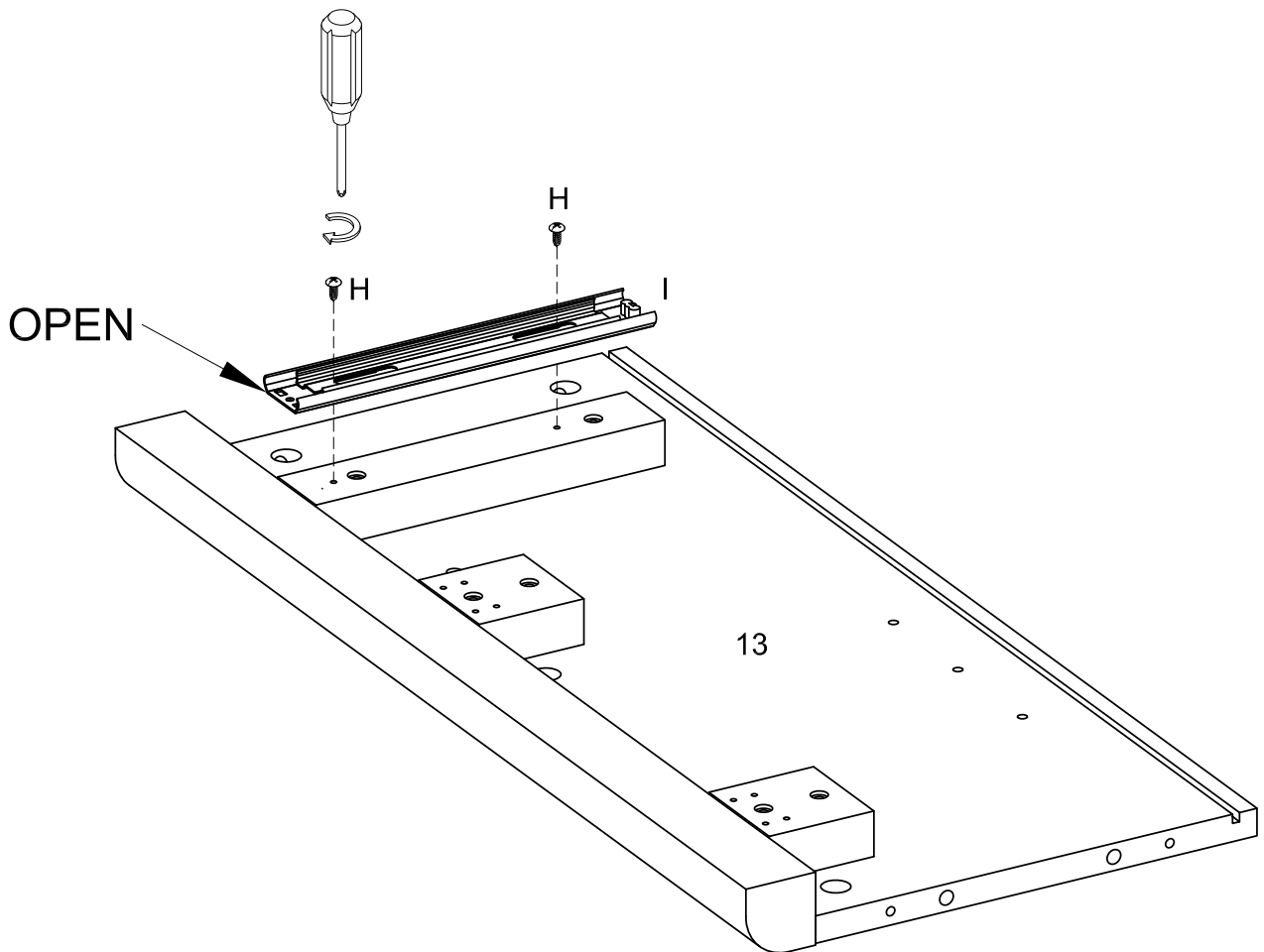
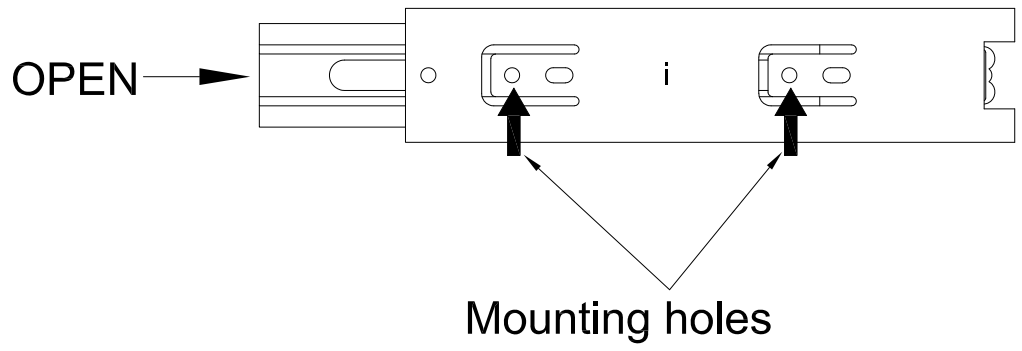
Step 5



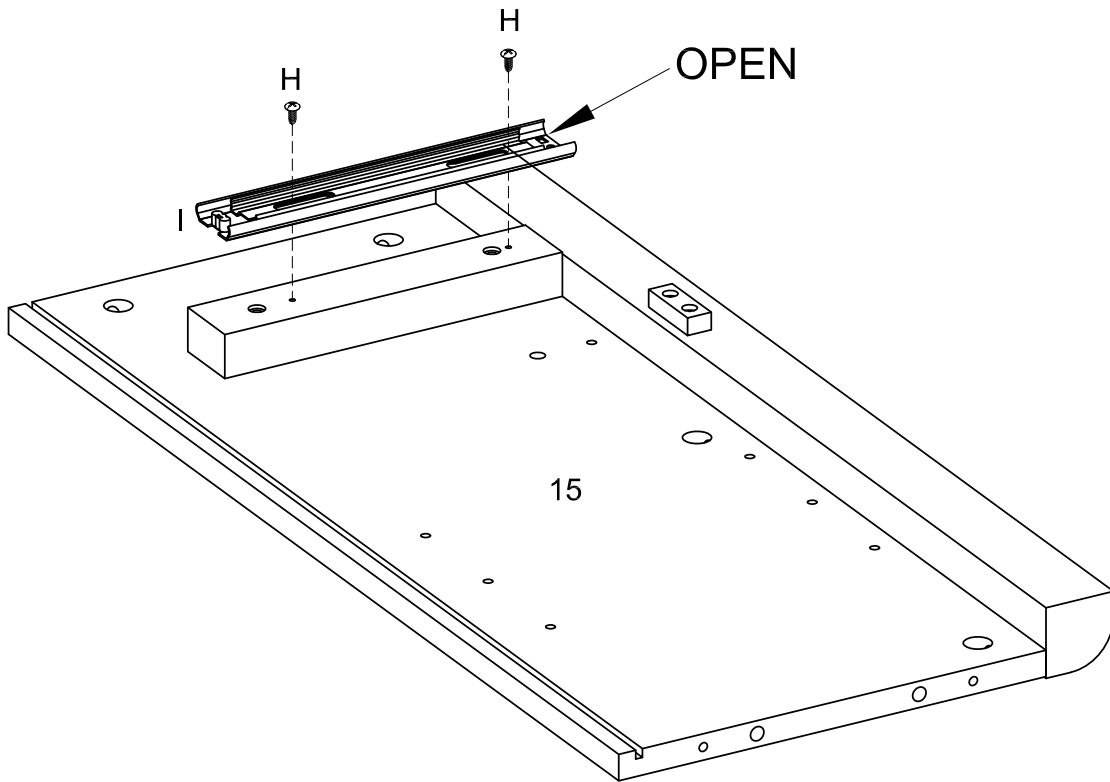
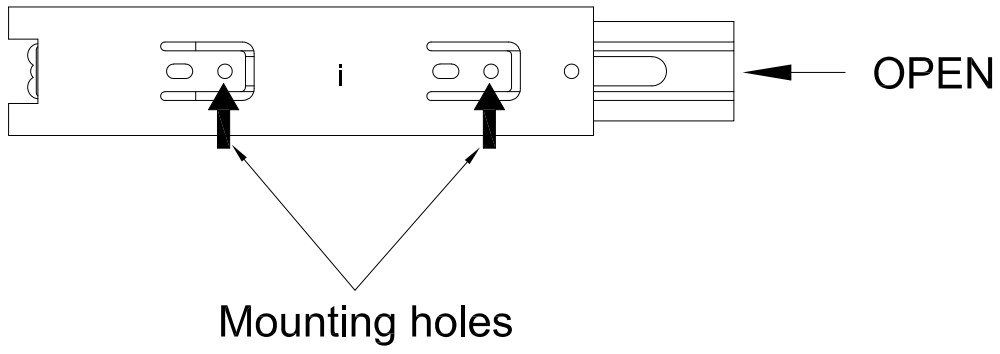
Step 6



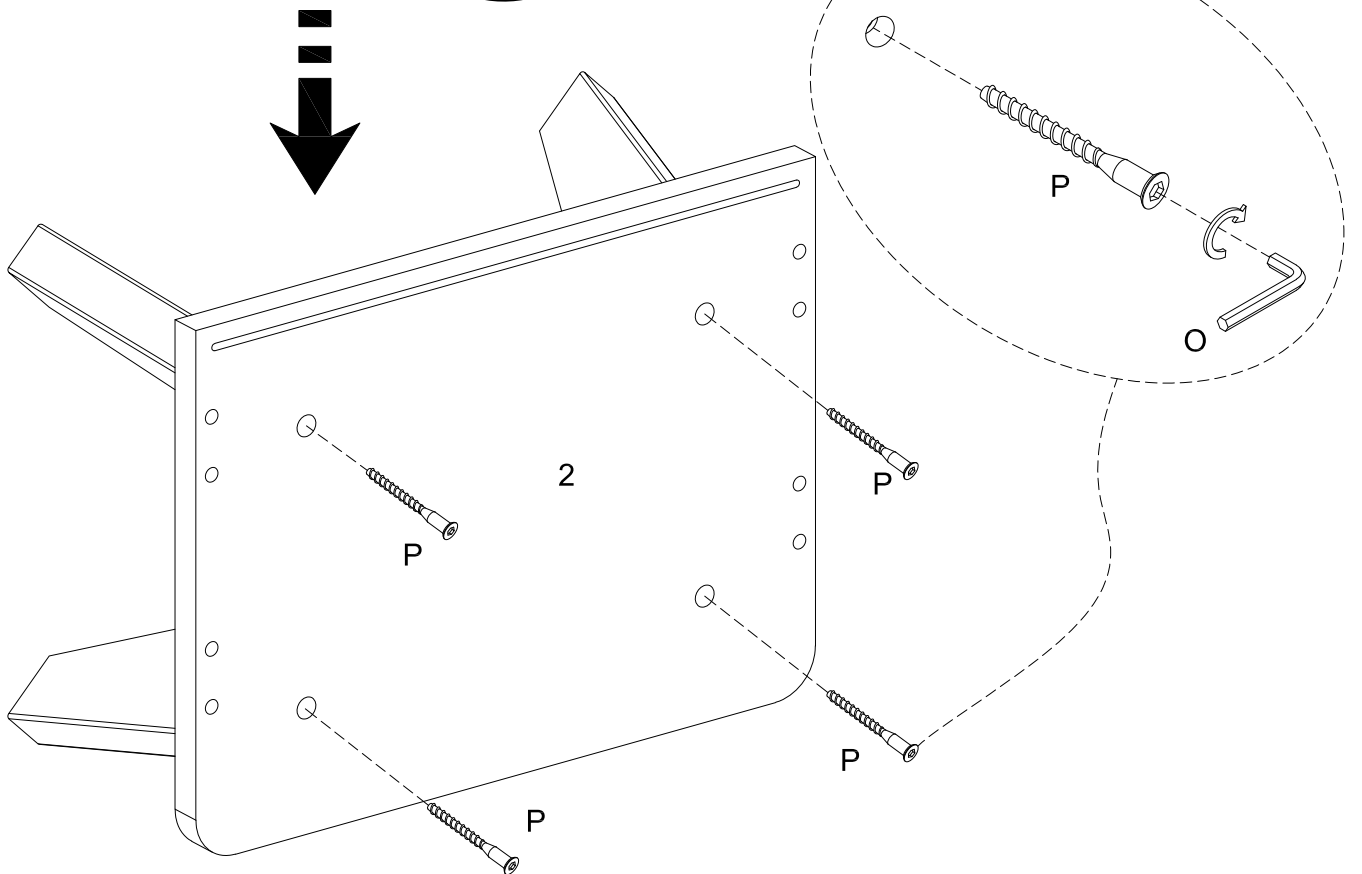
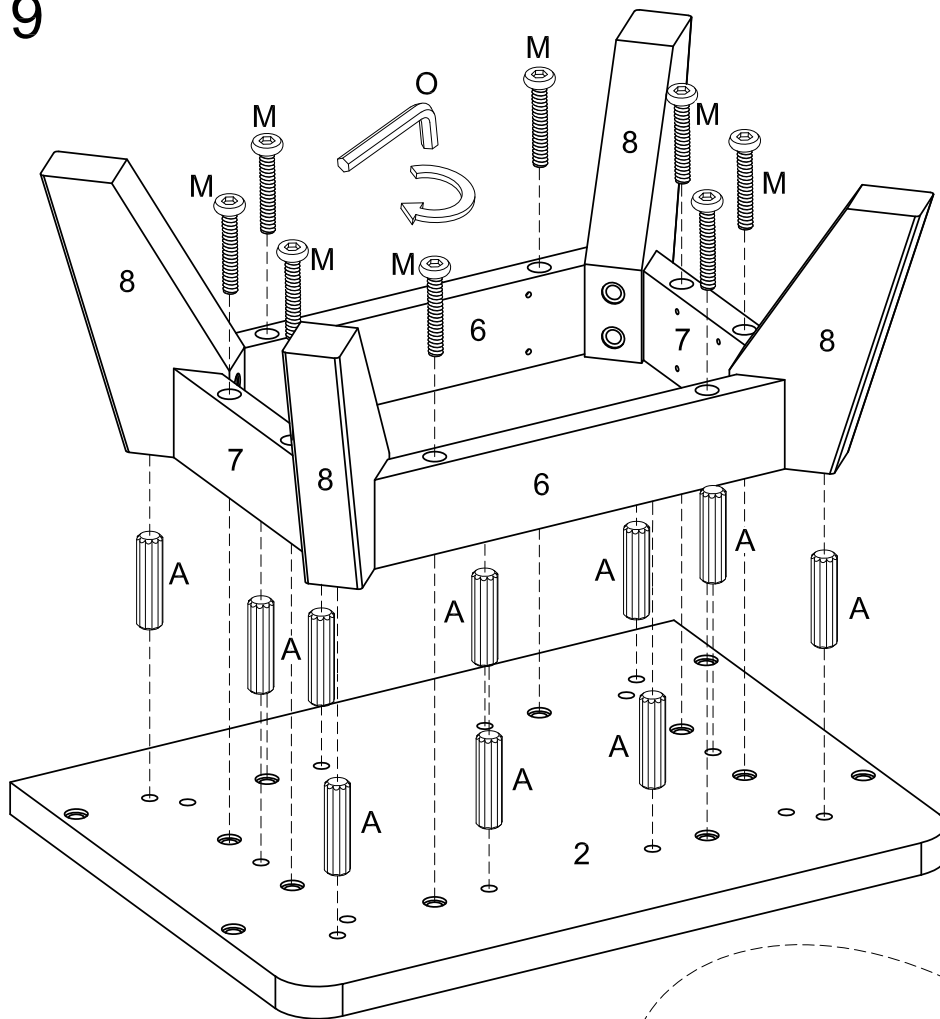
Step 7



Step 8

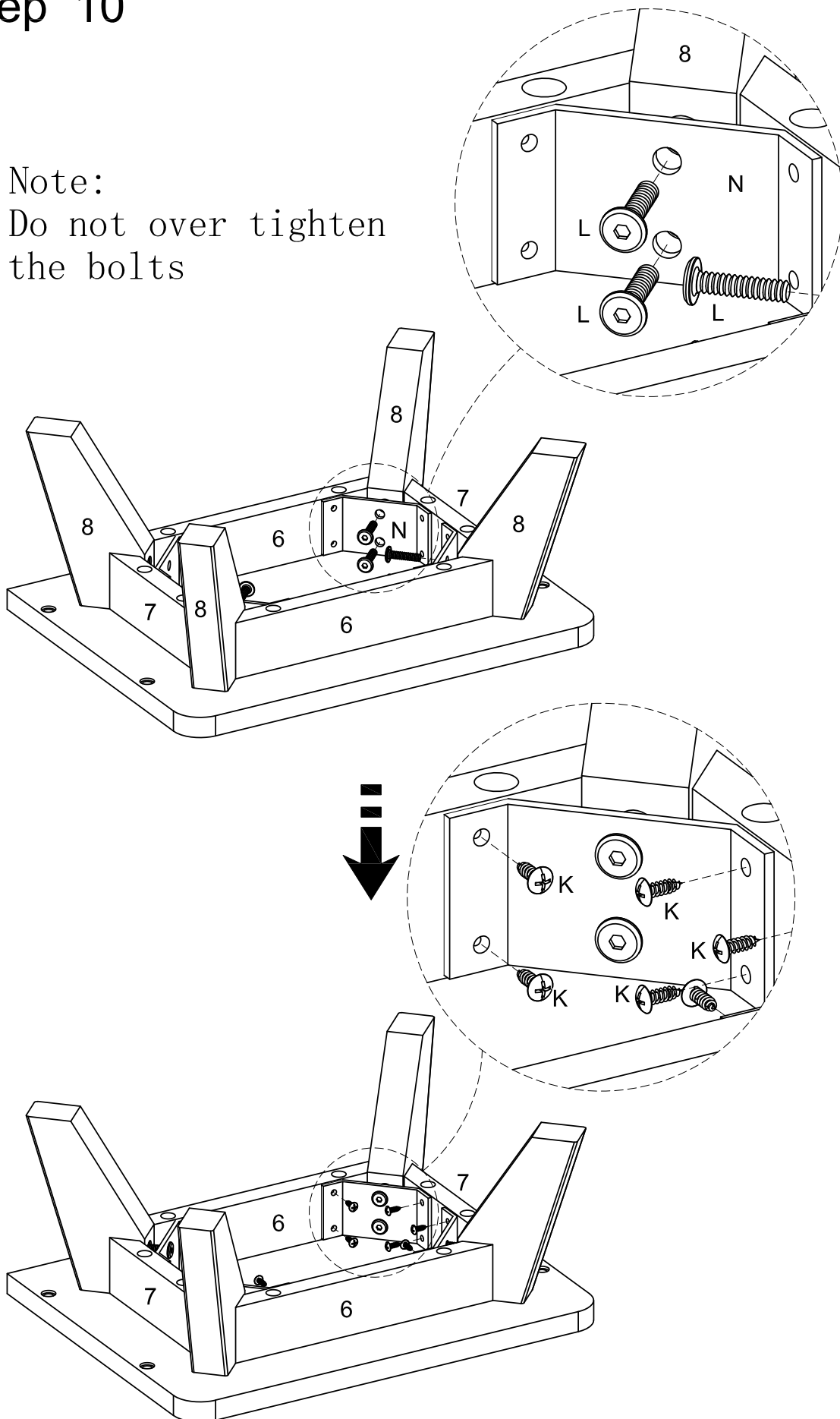


Step 9

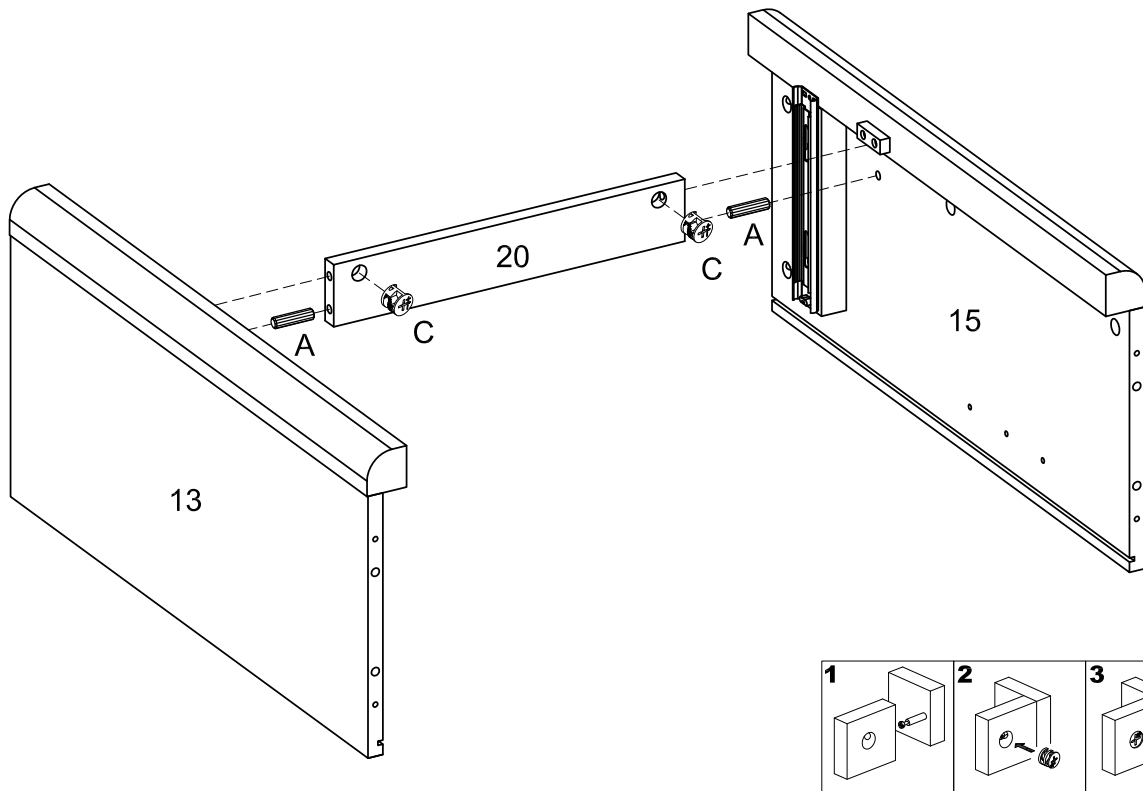


Step 10

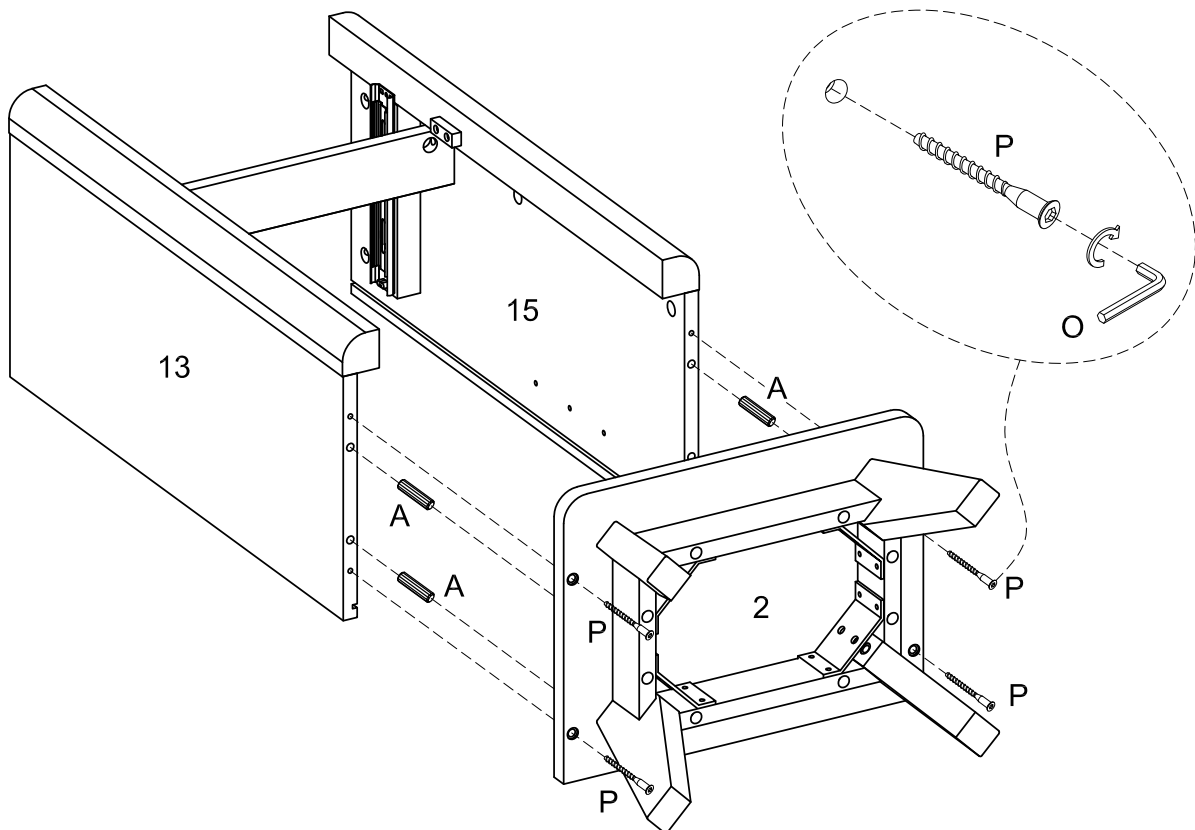
Note:
Do not over tighten
the bolts



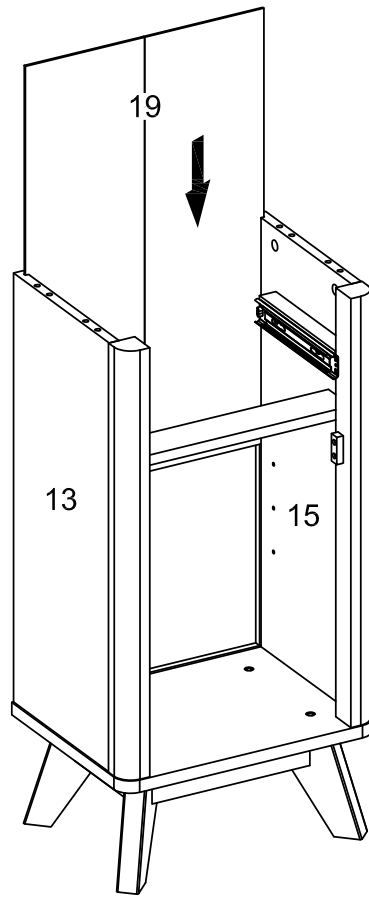
Step 11



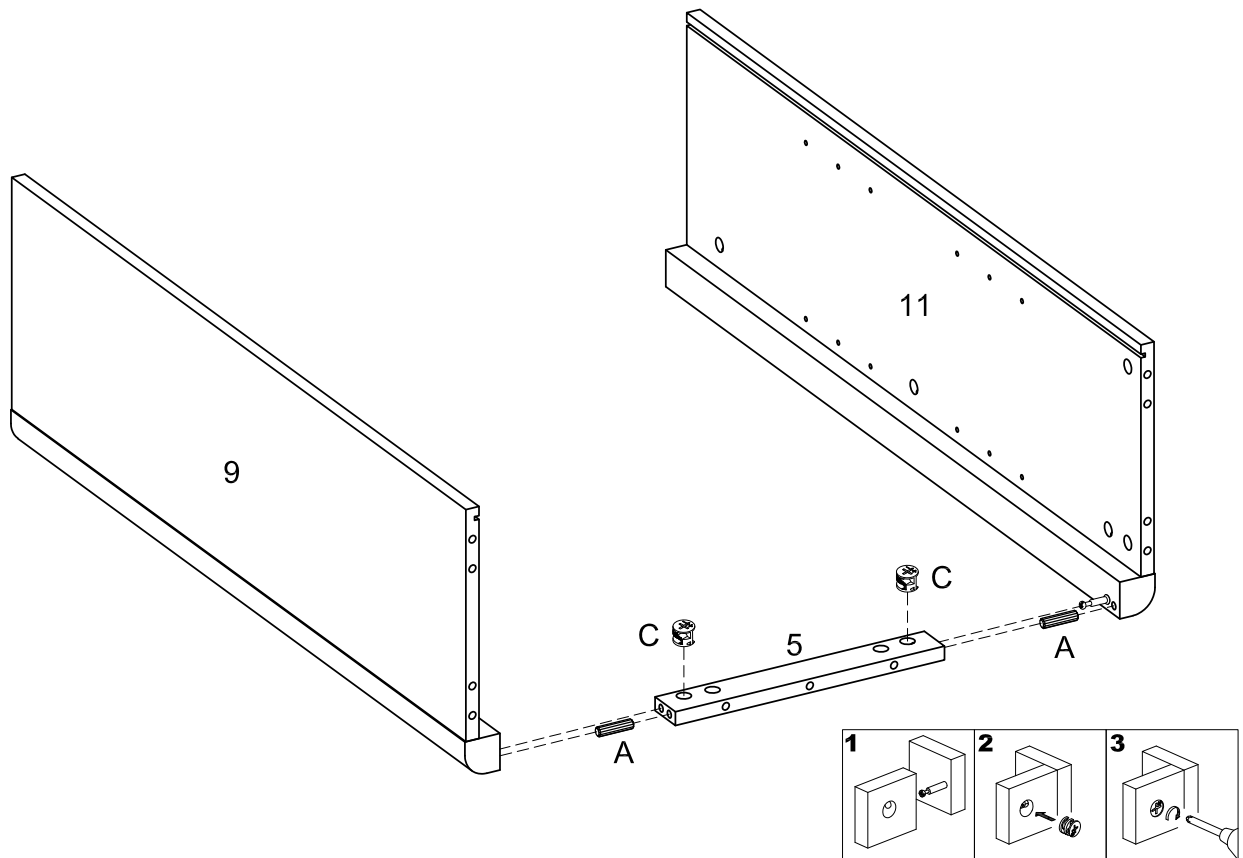
Step 12



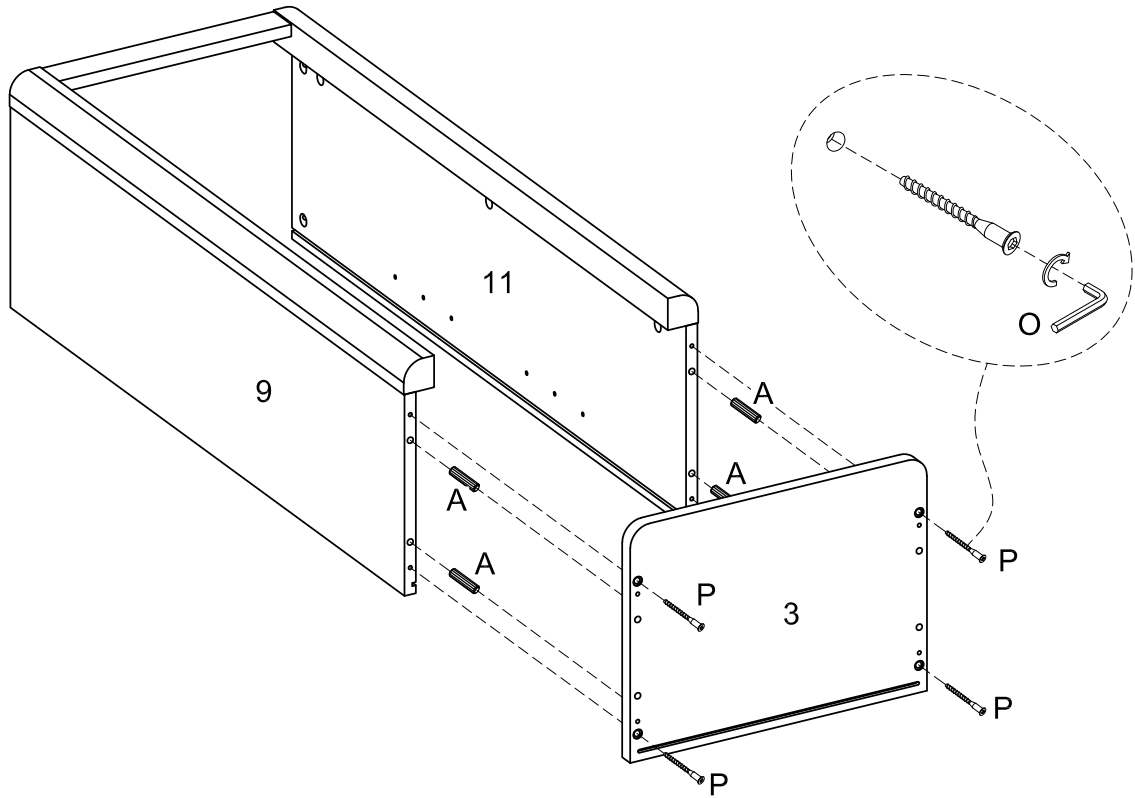
Step 13



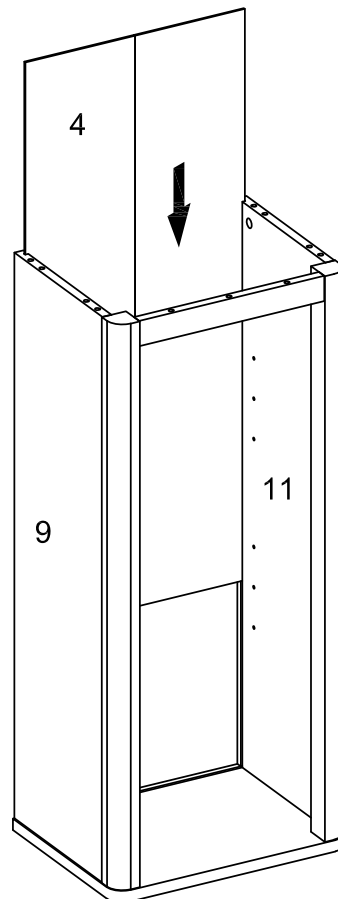
Step 14



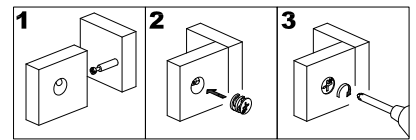
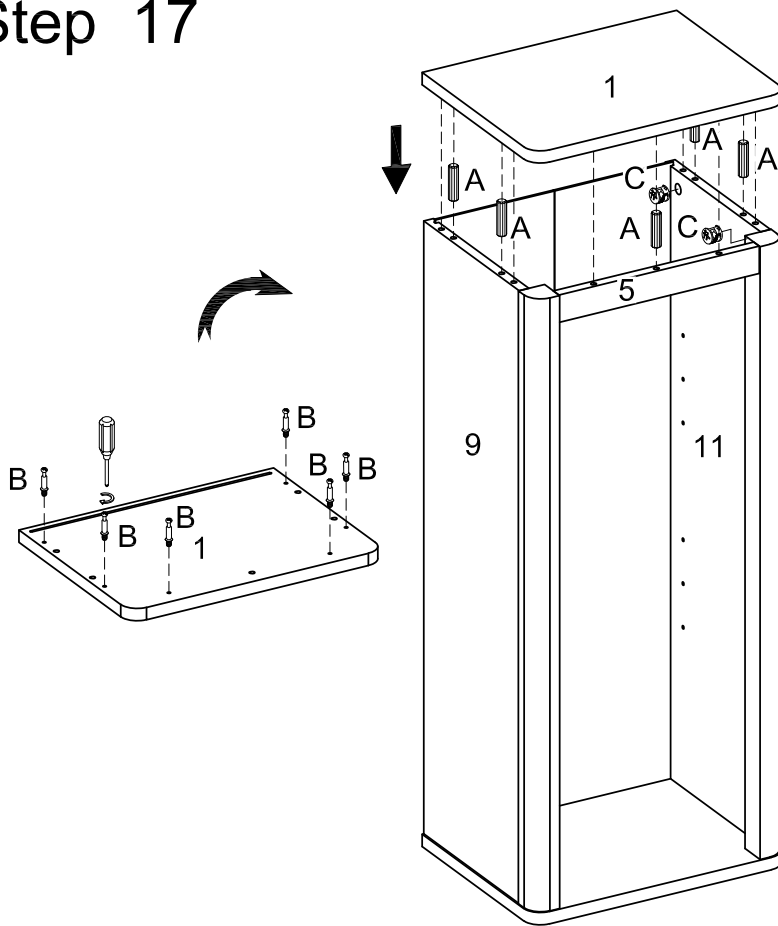
Step 15



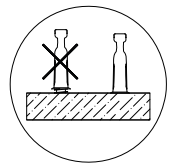
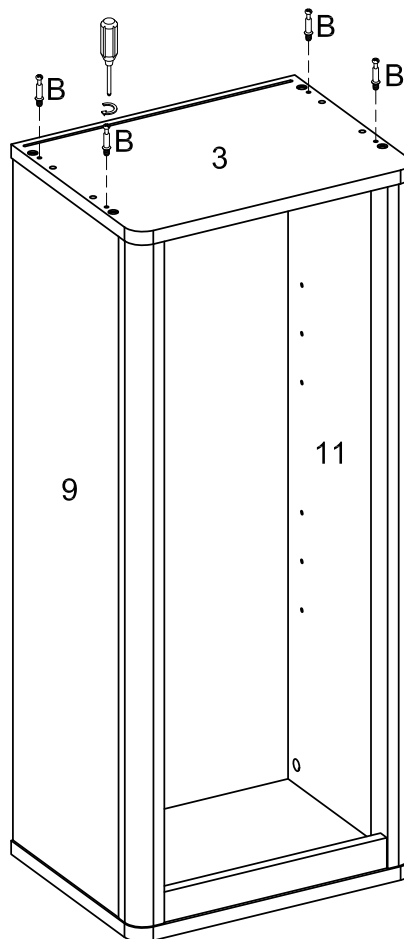
Step 16



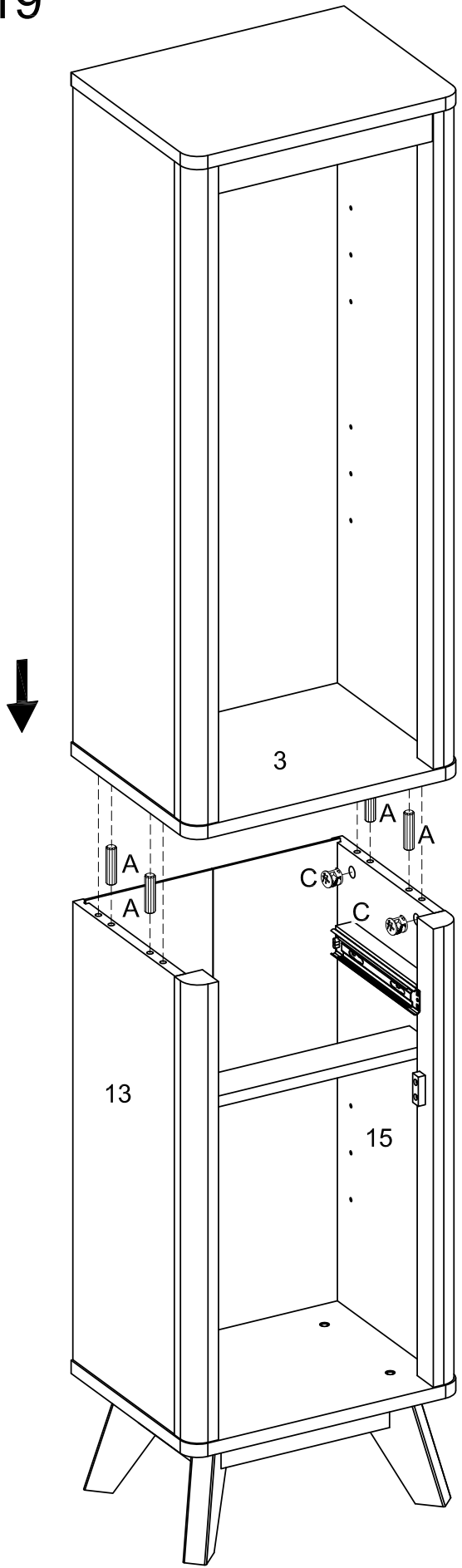
Step 17



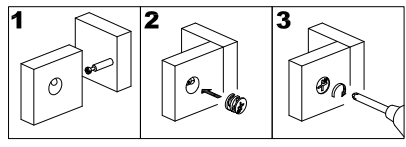
Step 18



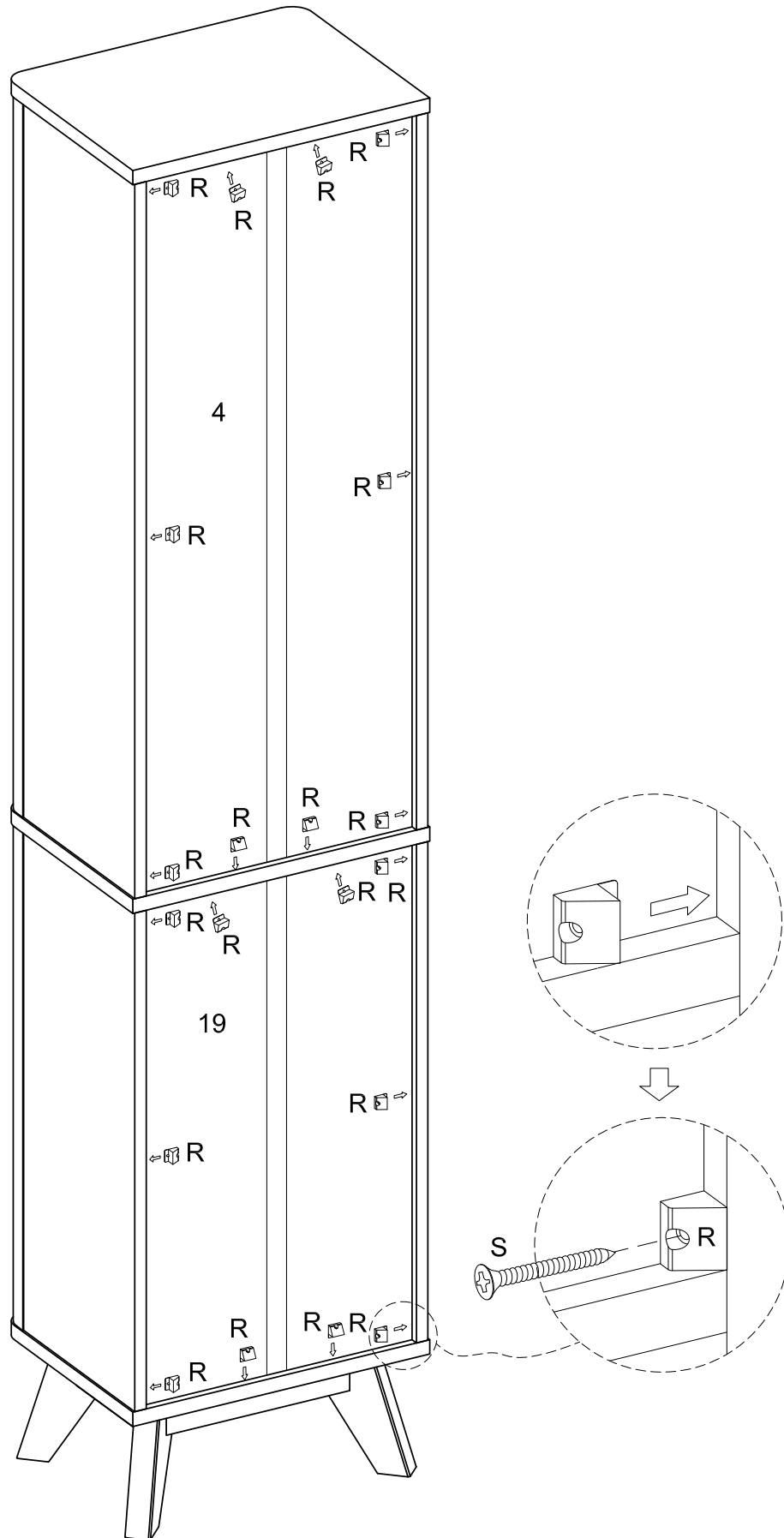
Step 19



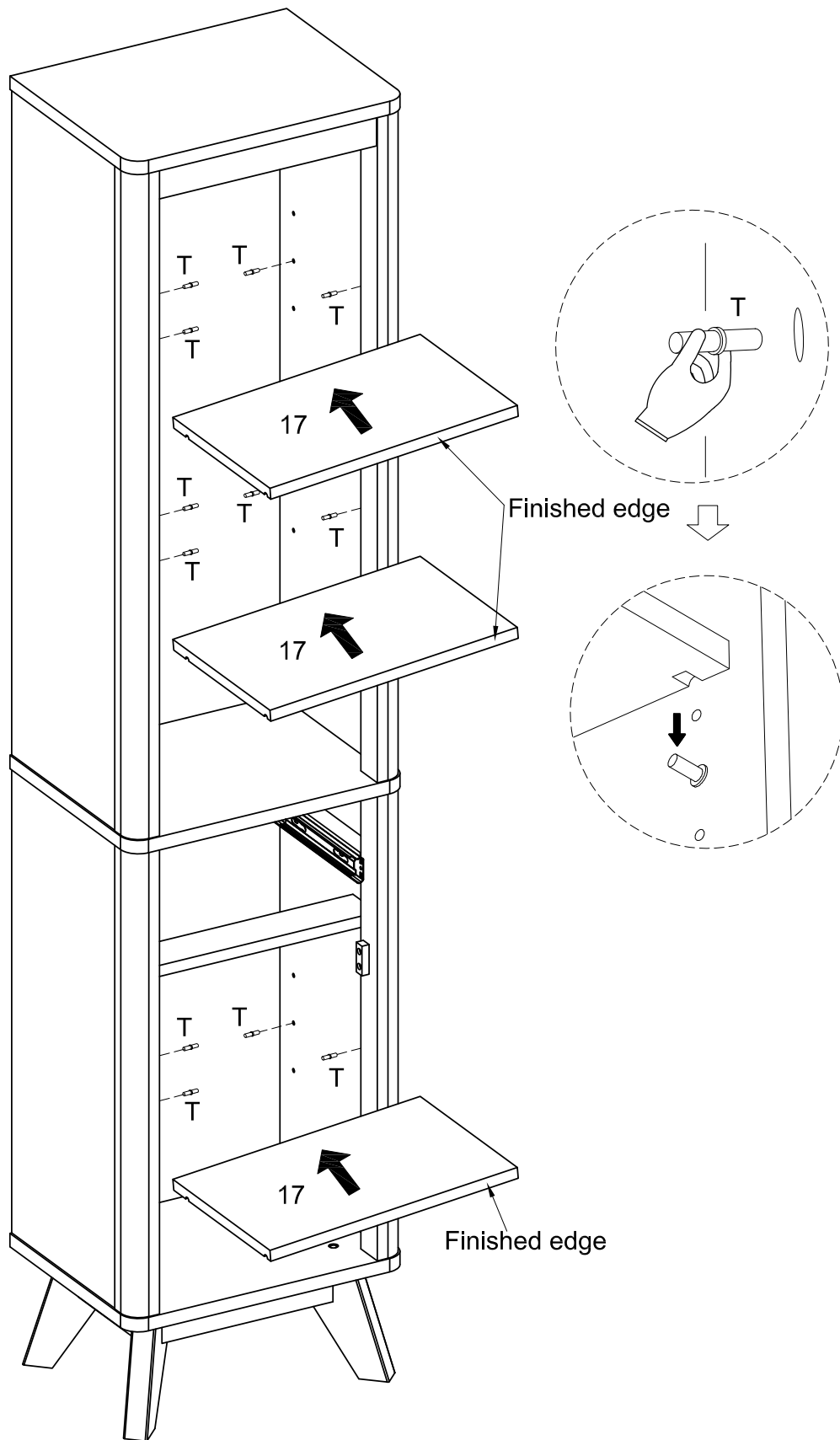
CAUTION: Heavy! You may need assistance with this step.



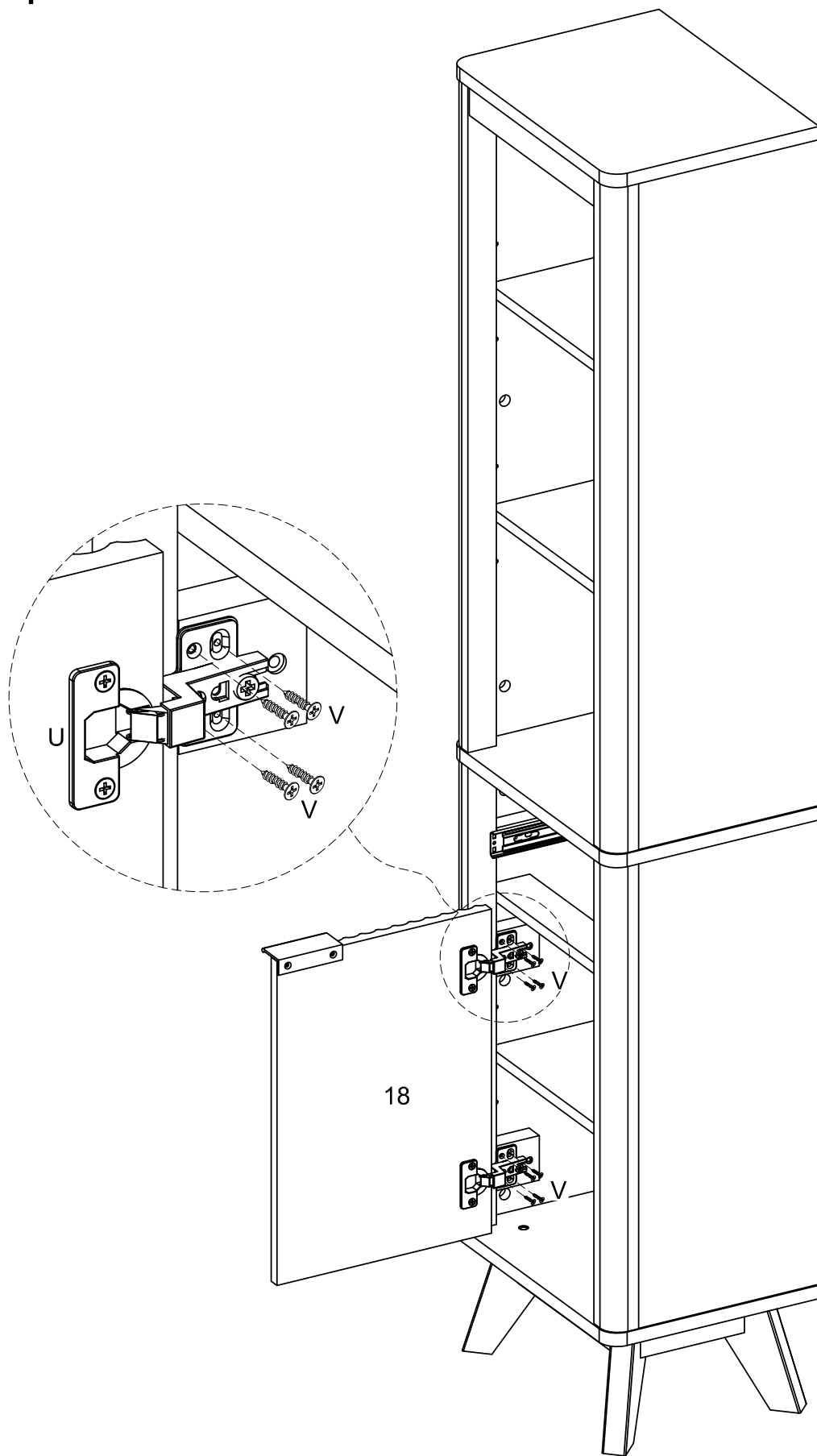
Step 20



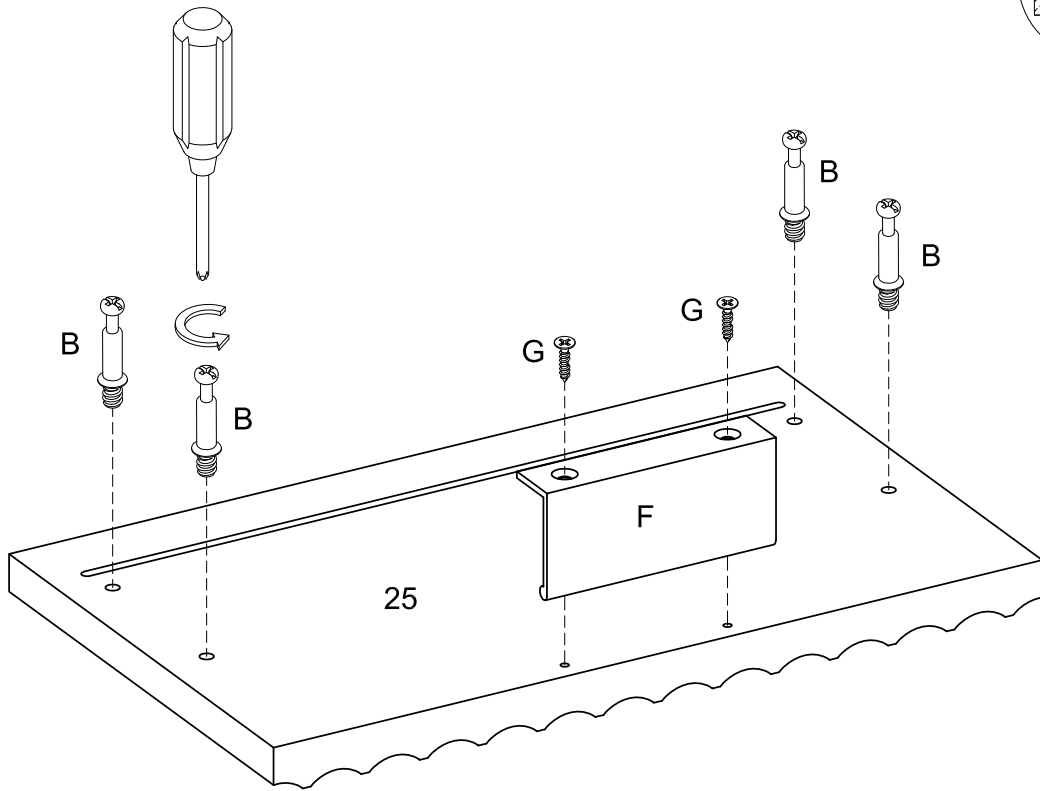
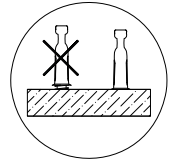
Step 21



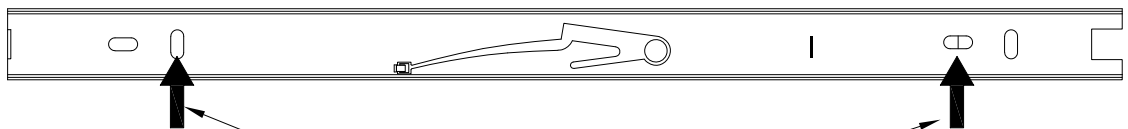
Step 22



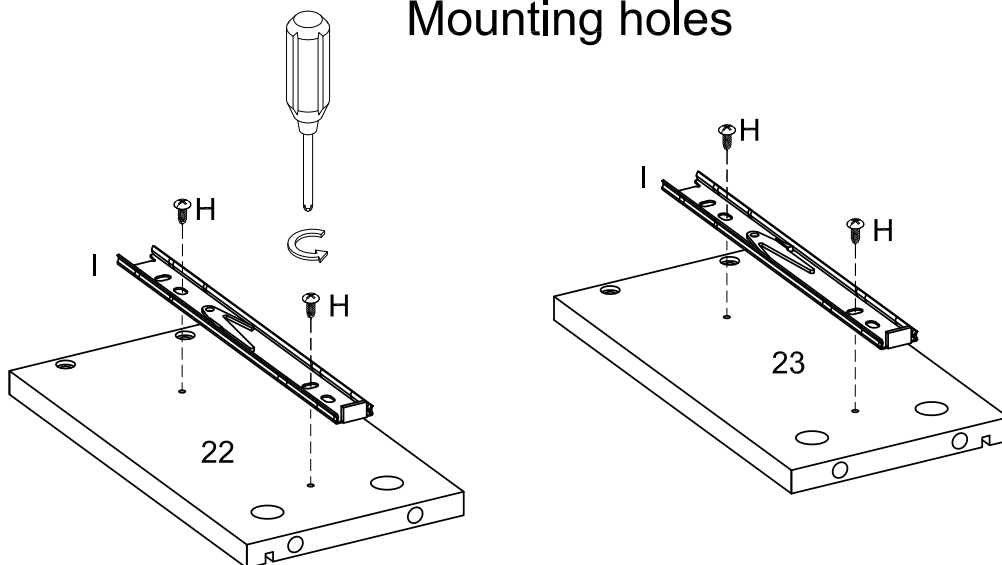
Step 23



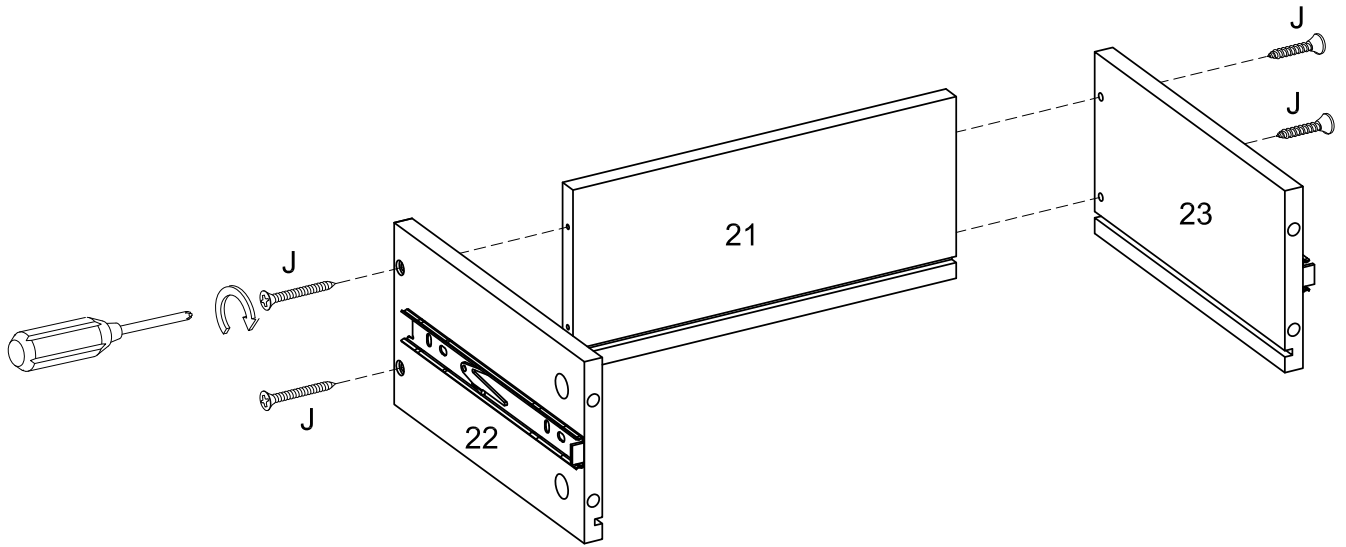
Step 24



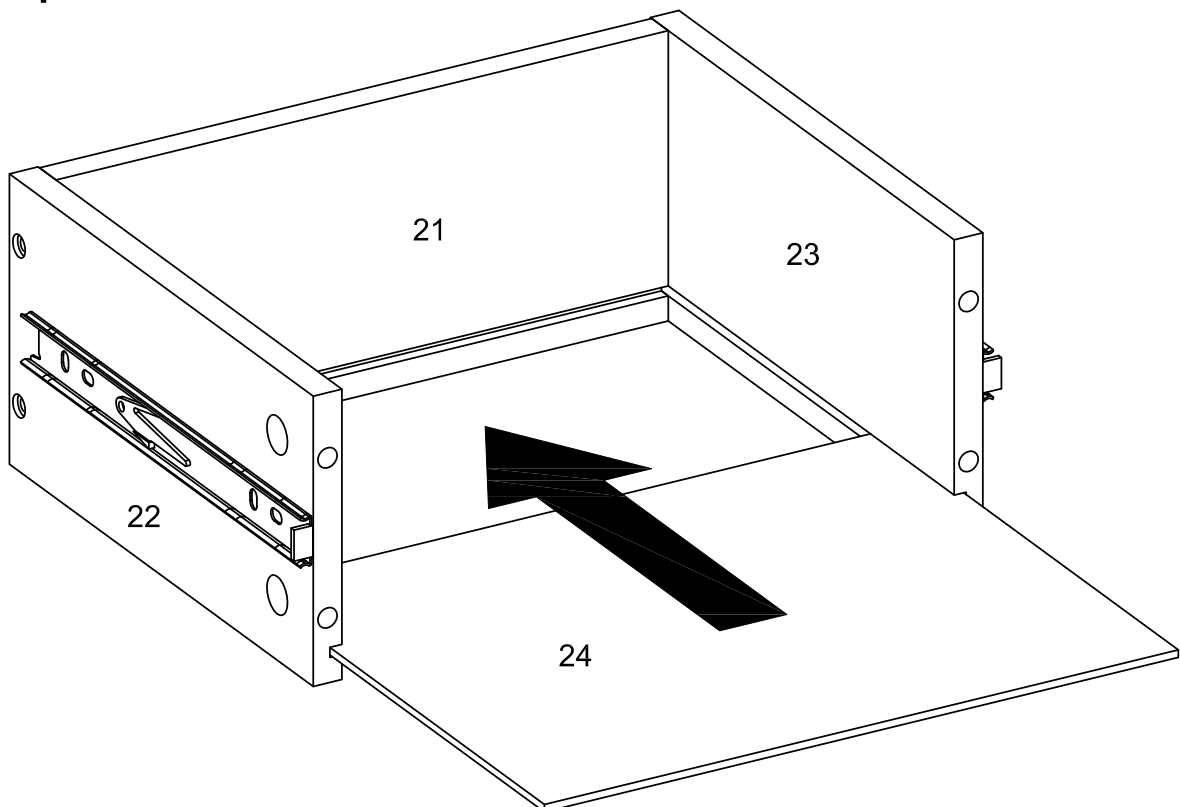
Mounting holes



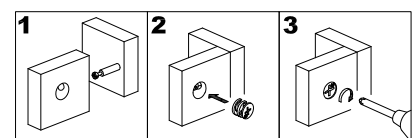
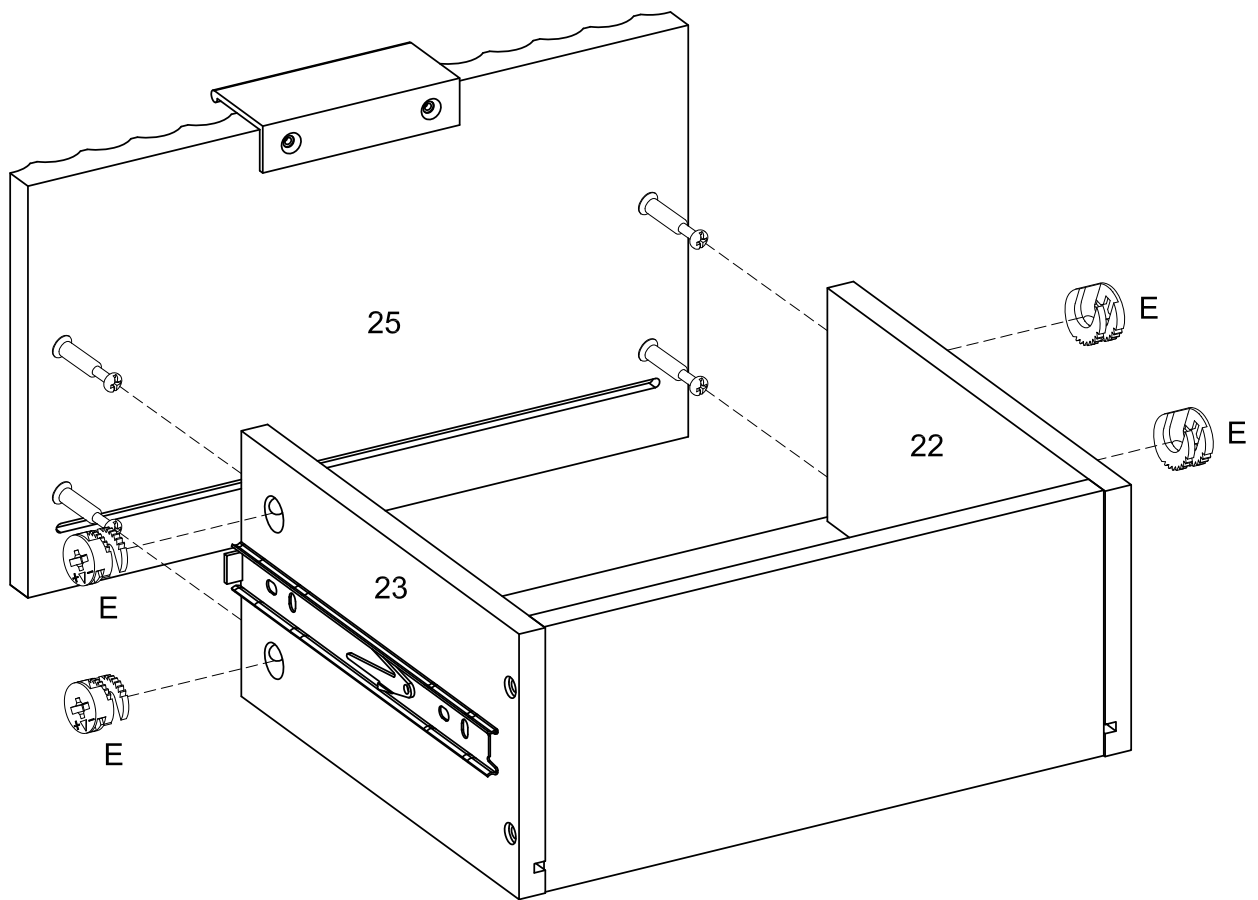
Step 25



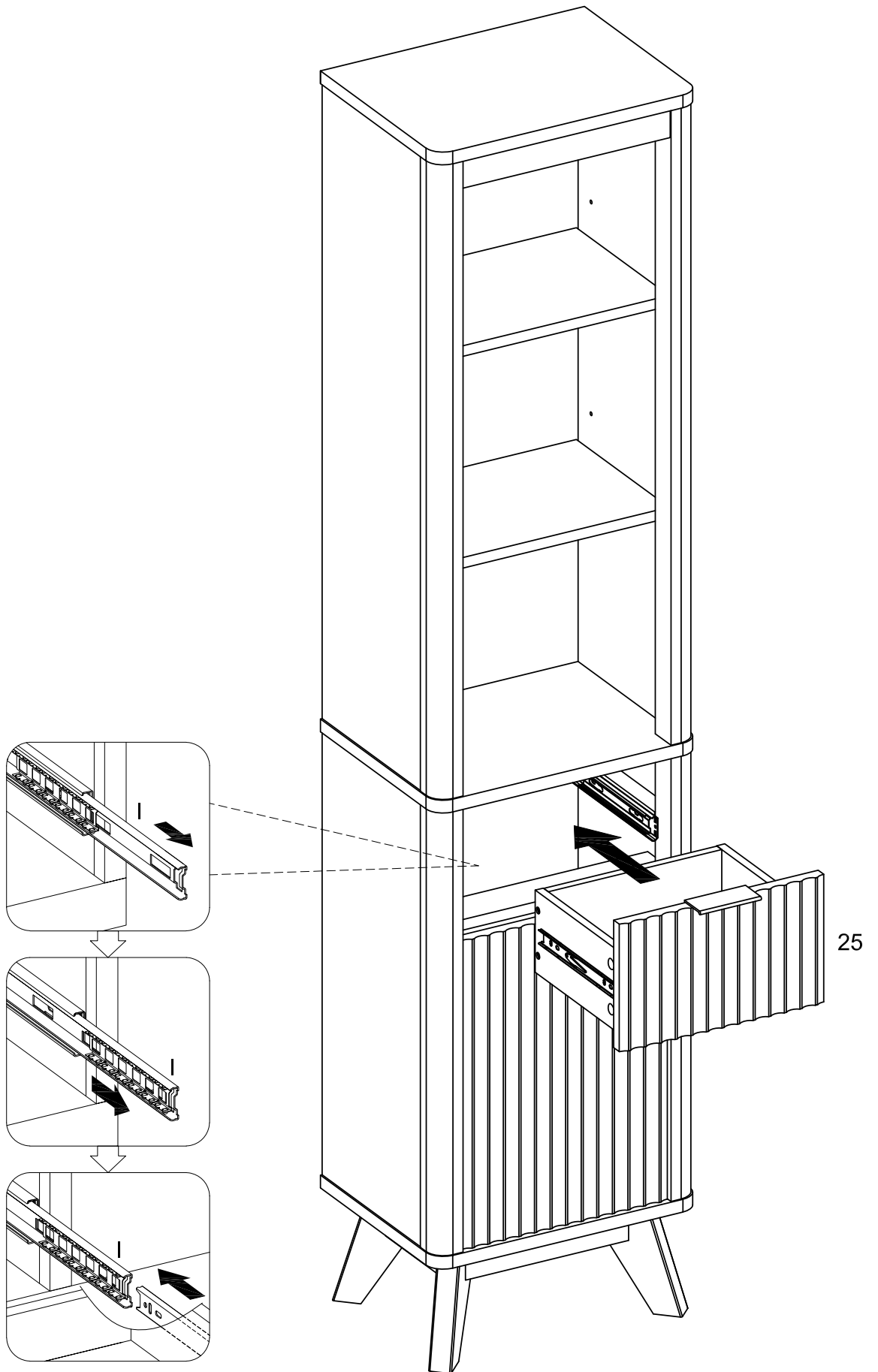
Step 26



Step 27



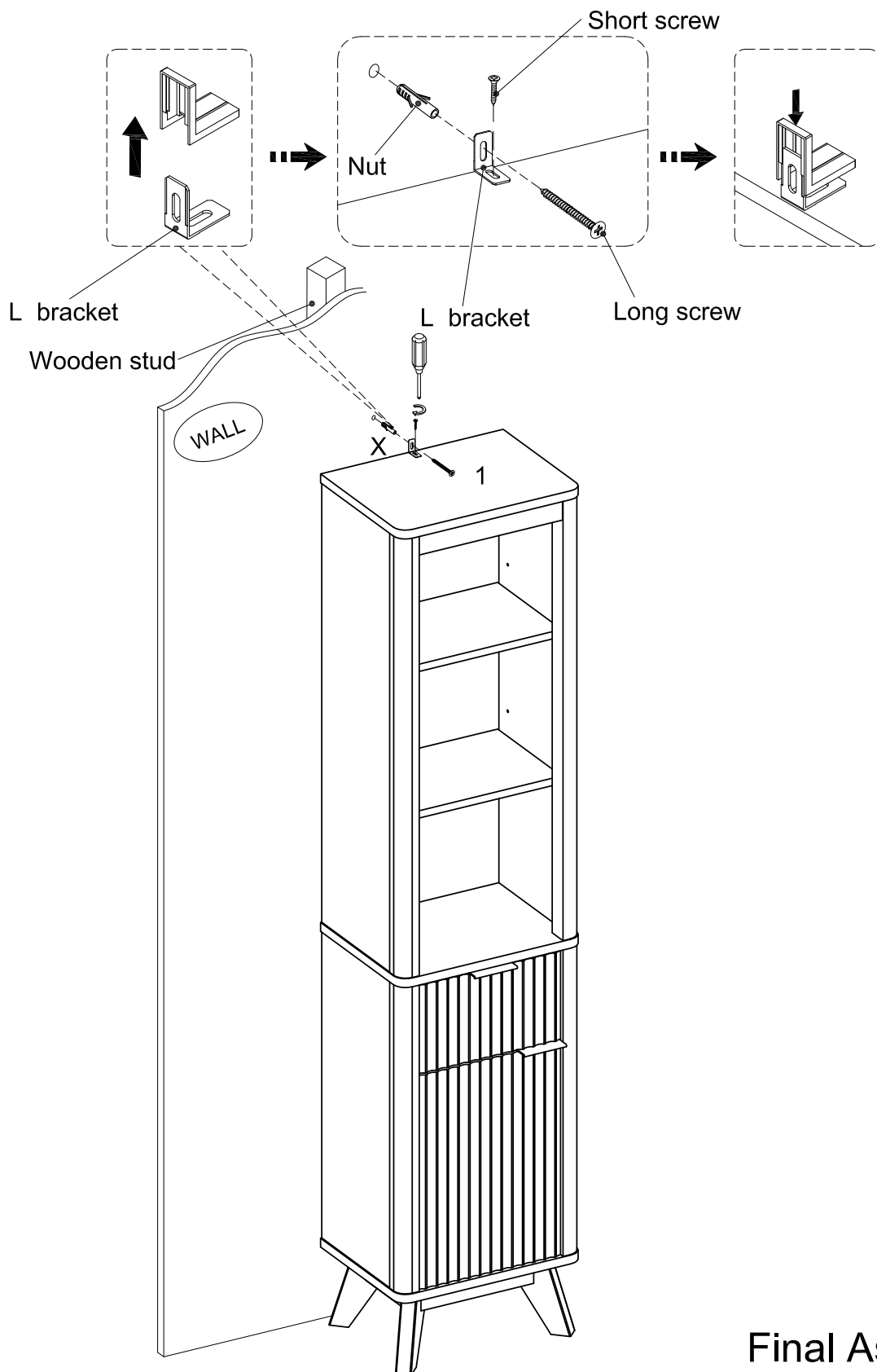
Step 28



25

Step 29

Serious or fatal injuries can occur from furniture tipping over. To prevent the furniture from tipping over we recommend that it is permanently fixed to the wall. Wall anchor and hardware are included with this product. Please make sure hardware is suitable for your walls before installing, as different wall materials may require different types of anchors.



Final Assembly