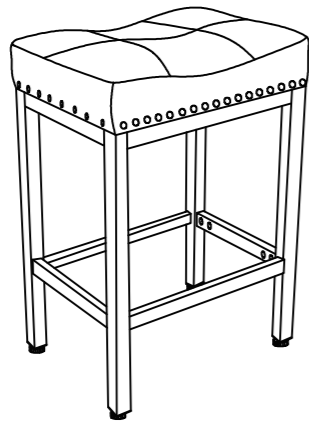
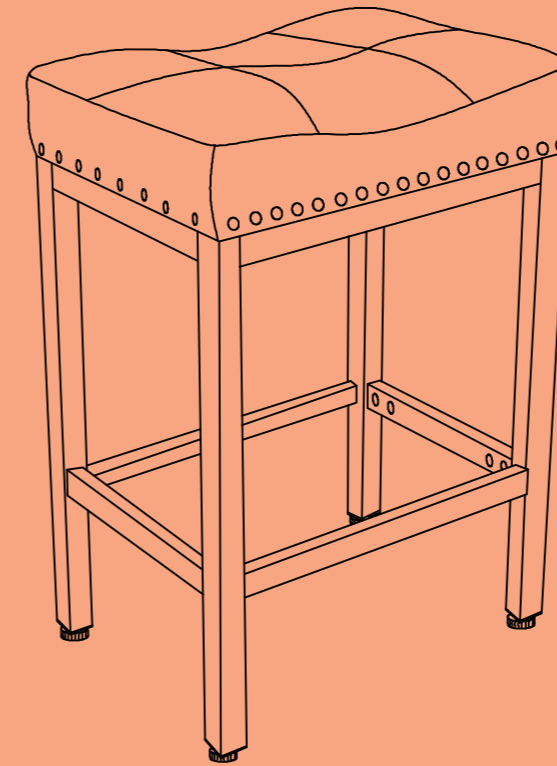
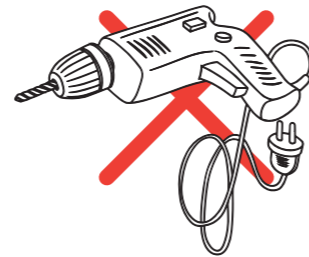
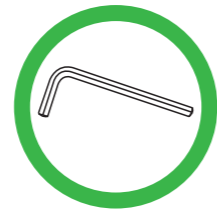


To deodorize the leather
leave the chair in a shady
outside for 1-2 days.



For longer use

Re-tighten bolts every 6 months by using
the enclosed allen-key.
*Using an electric drill can damage the chair.
Please re-tighten bolts manually.



INSTRUCTION MANUAL

Safety Information



Sit in the center of the
chair, with your back to
the backrest



Do not sit at the front
edge of the chair



Do not stand on the
chair



Do not use the chair
with more than one
person



Do not push the chair
around when a person
is sitting in it



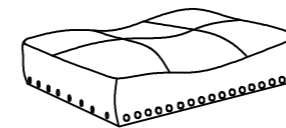
Do not push down on
the backrest when a
person is reclined



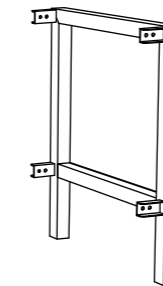
Do not place all your
weight on only the
backrest

INSTRUCTION MANUAL

Package List



(A)*1 Seat Cushion



(B)*2 Legs



(C)*4 Square Tube

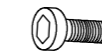


(D)*4 Adjuster Foot



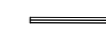
M6x16mm

(E)*16 Bolts



M6x45mm

(F)*4 Bolts

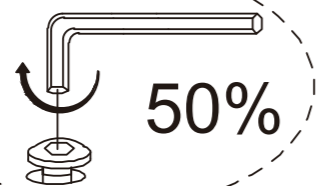
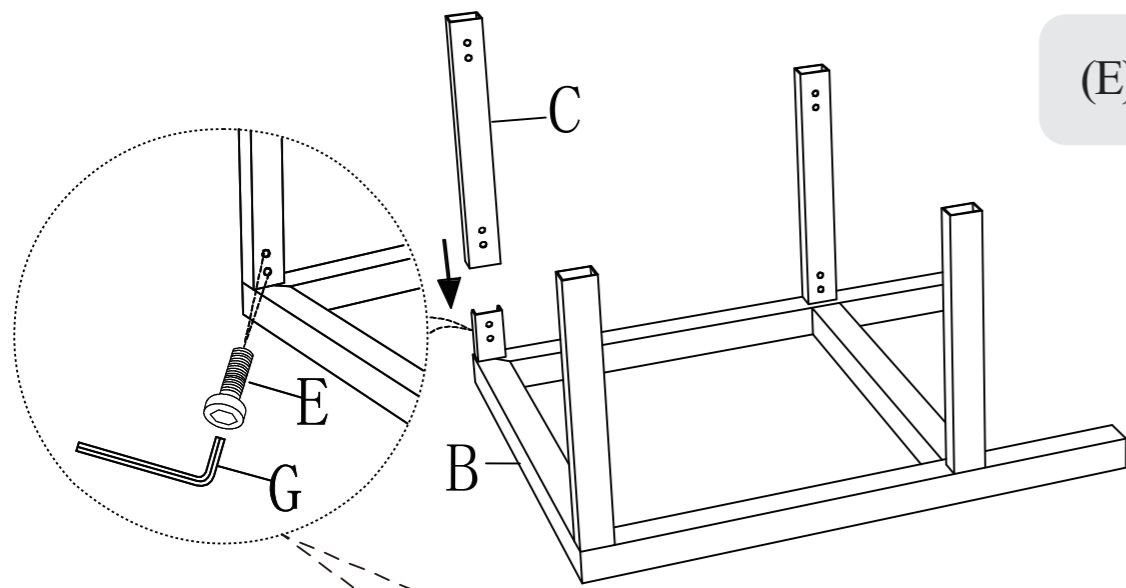


M6x22mm

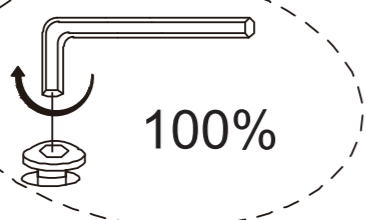
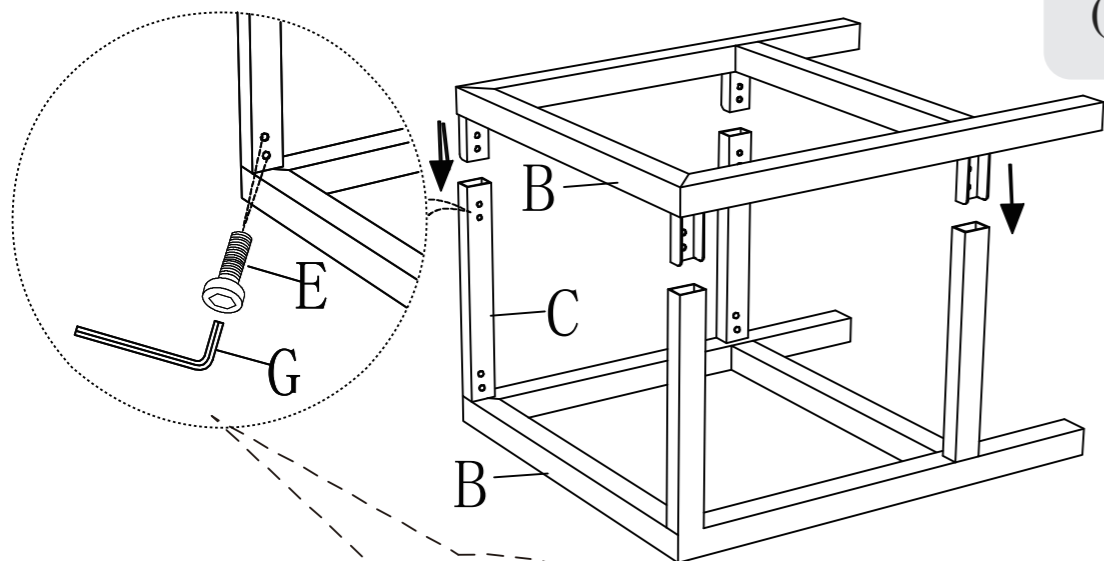
(G)*1 Wrench

Assembly Instruction

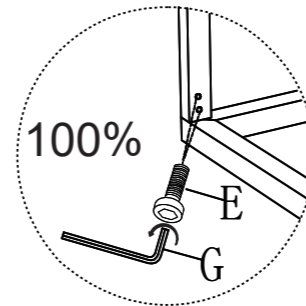
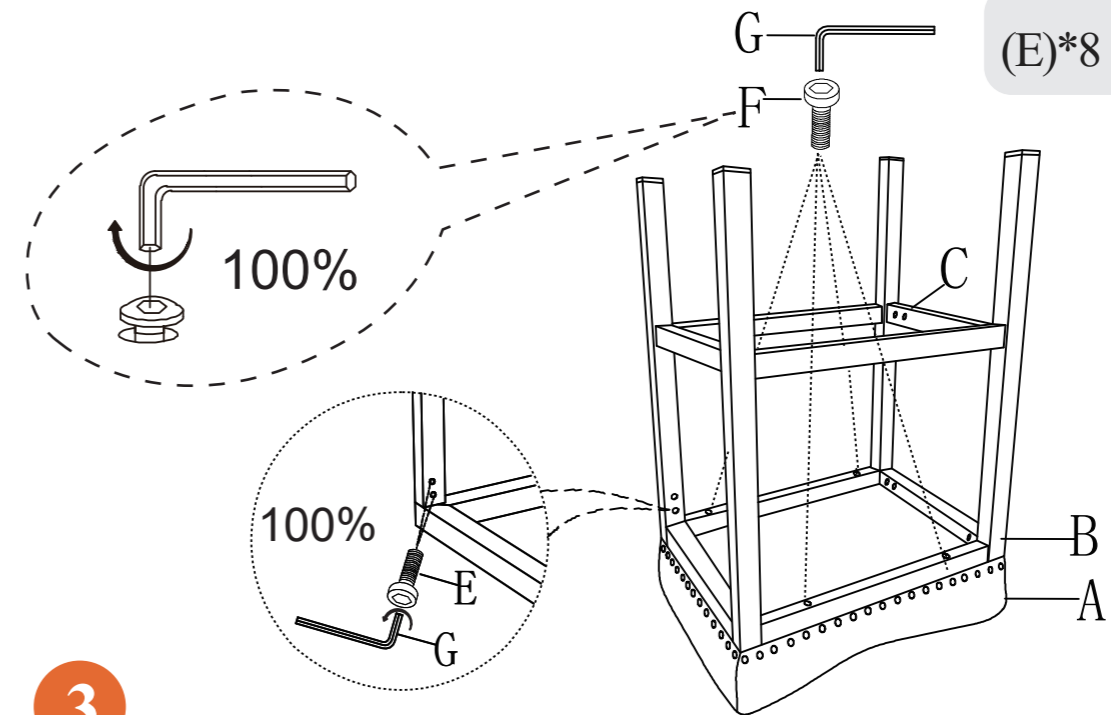
(E)*8 (G)*1



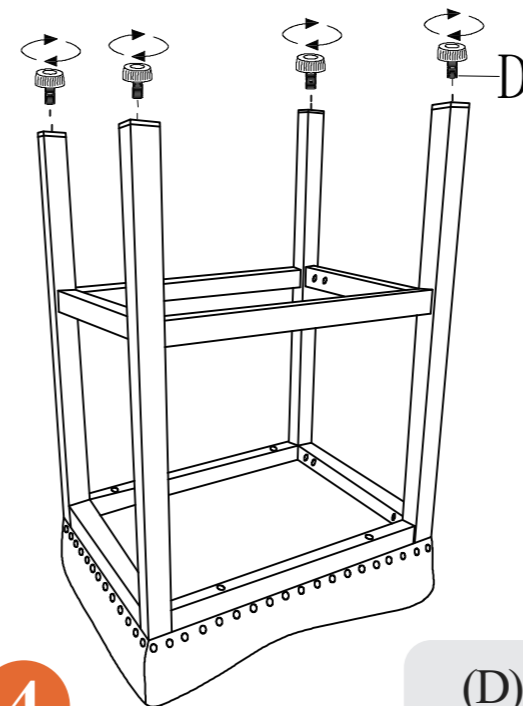
(E)*8 (G)*1



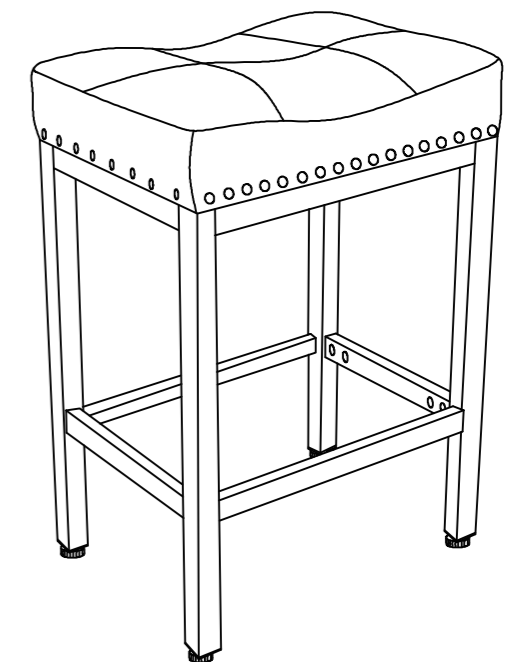
(E)*8 (F)*4 (G)*1



4



5



CAUTION:

- * Before using the chair, check to ensure that all bolts are fully tightened.
- * Lubricate all parts and tighten all bolts every 6 months or whenever needed.

NOTE: 1. All bolts are 100% tightened.