


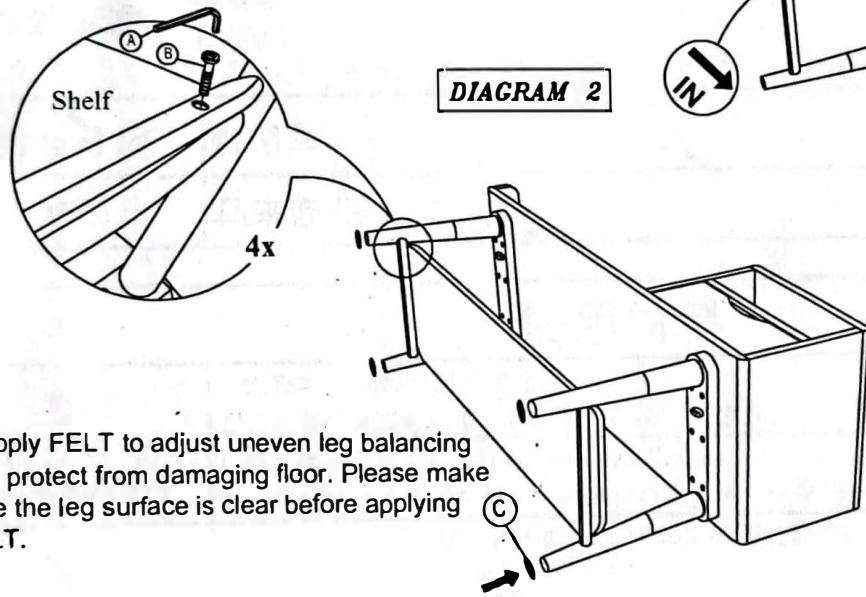
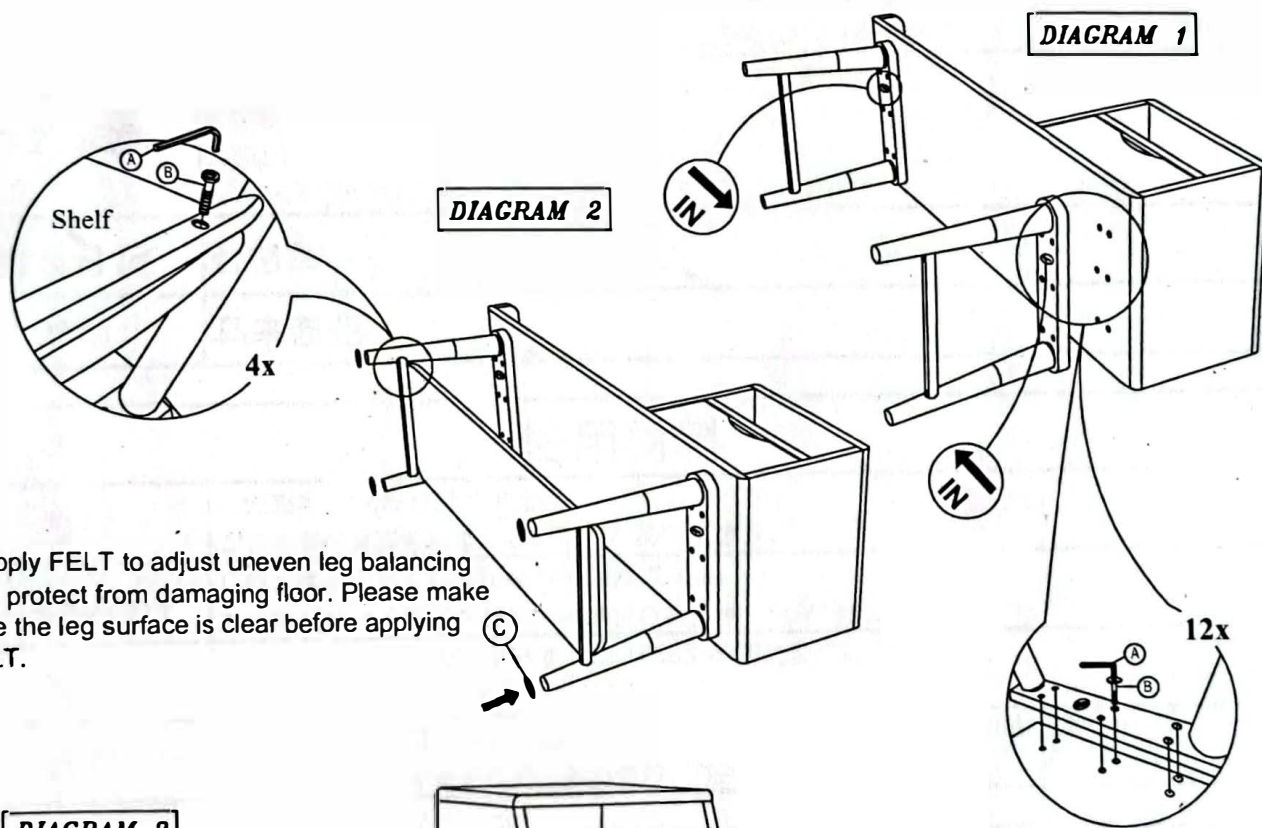


ASSEMBLY INSTRUCTION

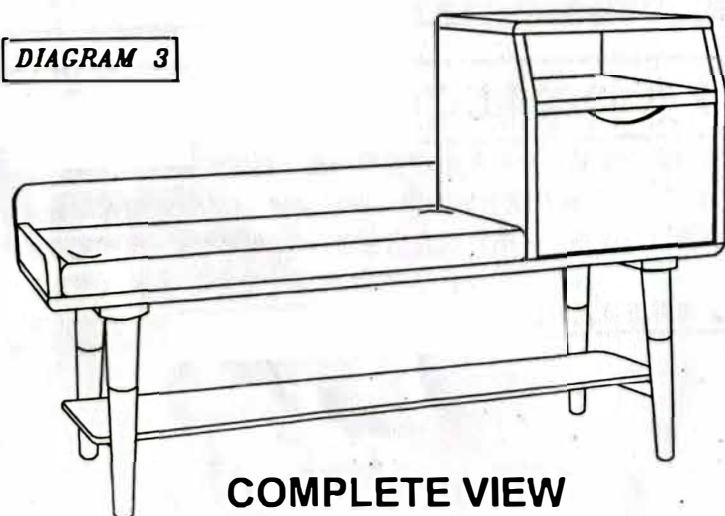
⚠ NOTE: UNIT SHOULD BE ASSEMBLED BY TWO OR MORE PEOPLE. DO NOT TIGHTEN ANY BOLTS UNTIL ALL BOLTS HAVE BEEN STARTED!

HARDWARE PACK		
CHECK TO SEE THAT THE FOLLOWING PARTS ARE IN THE CARTON		
ITEM	DESCRIPTION	QTY
A	 ALLEN KEY	1 PC
B	 JCBC SCREW M6 x 35mm	16 PCS
C	 LEG FELT 20mm	6 PCS

PARTS LIST			
ITEM	DESCRIPTION	SKETCH	QTY
1	BODY WITH CUSHION		1 PC
2	LEG		2 PCS
3	SHELF		1 PC



**Apply FELT to adjust uneven leg balancing and protect from damaging floor. Please make sure the leg surface is clear before applying FELT.



COMPLETE VIEW

MADE IN MALAYSIA