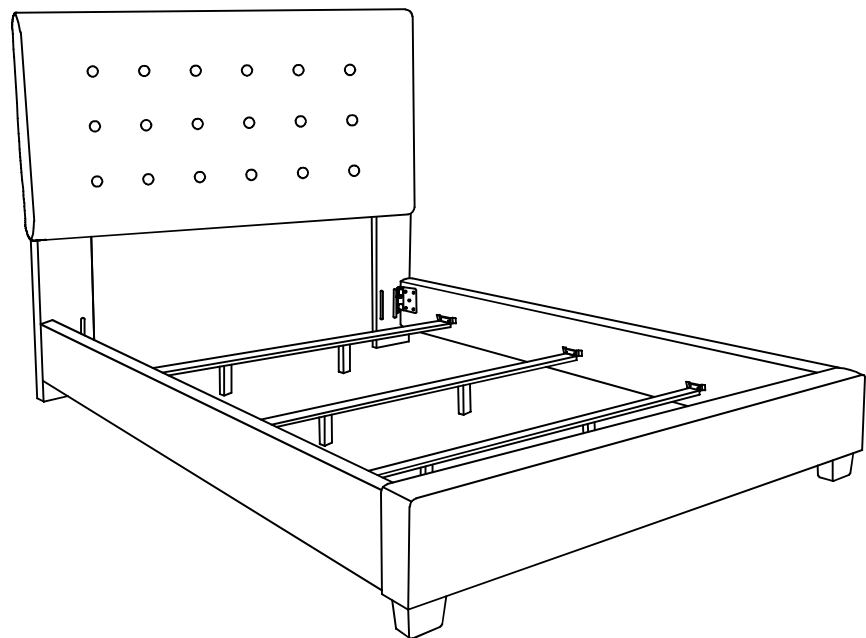
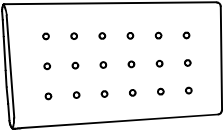
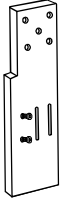
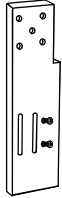
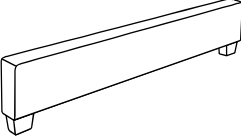
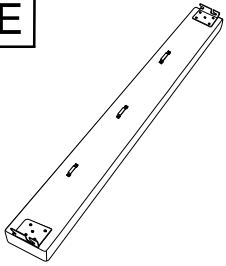
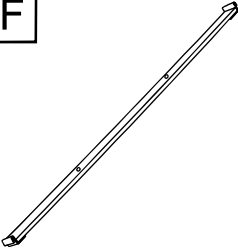



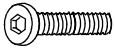



Upholstered Bed



PART LIST

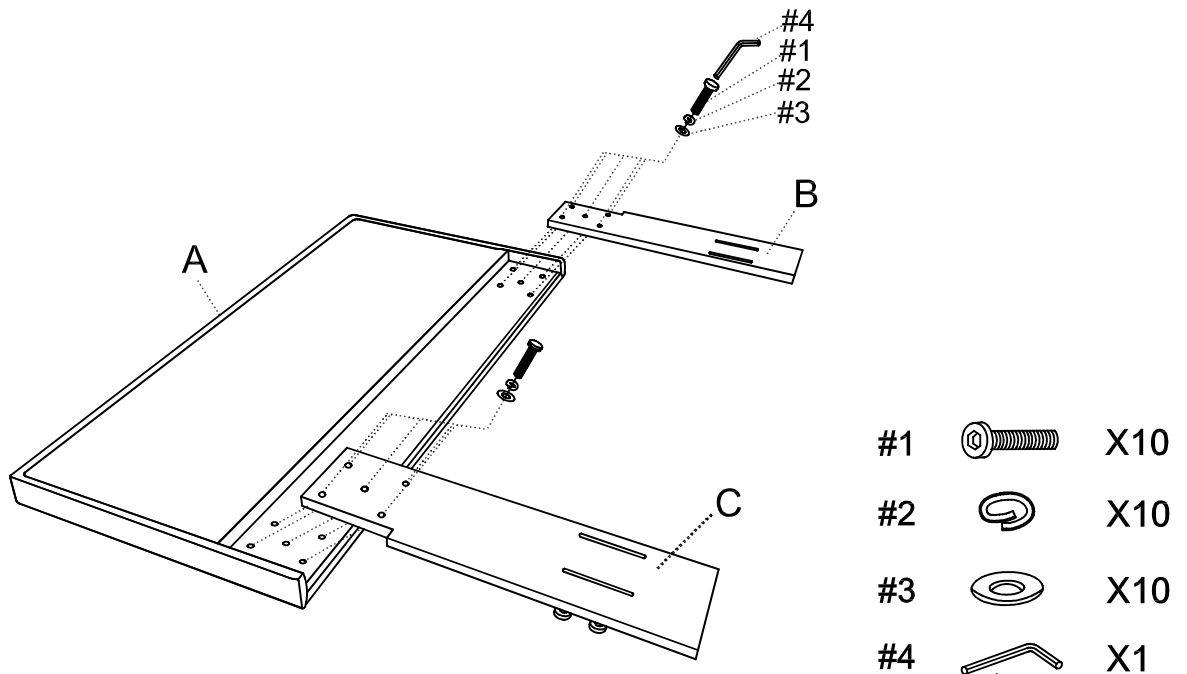
A 	B 	C 	D 	E 
Headboard Panel 1 PC	Left Headboard Post 1 PC	Right Headboard Post 1 PC	Footboard Panel 1PC	Side Rail 2 PCS
F 	G 	*Please note headboard panel, left headboard post and right headboard post will ship separately		
Slat 3 PCS	Support Leg 6 PCS			

HARDWARE LIST

#1 	#2 	#3 	#4 
5/16"x1-3/4"L Bolt 11PCS(Extra1)	Spring Washer 11PCS(Extra1)	Flat Washer 11PCS(Extra1)	M5 Allen Wrench 1 PC

Step 1. Lay headboard panel (part A) down on a soft surface, such as carpet, as shown below. Attach left headboard post (part B) and right headboard post (part C) to headboard panel (part A) using bolts (part #1), spring washers (part #2), flat washers (part #3) and allen wrench (part #4).

NOTE: Please do not fully tighten bolts until unit is fully assembled.



Step 2. Carefully turn assembled headboard upright. Attach side rails (part E) to headboard posts (parts B & C) and footboard panel (part D) using allen wrench (part #4) to screw out the bolts on the headboard posts (parts B & C) and footboard panel (part D), then hang up the side rails (part E) and secure the bolts using allen wrench (part #4).

NOTE: Please do not fully tighten bolts until unit is fully assembled.

