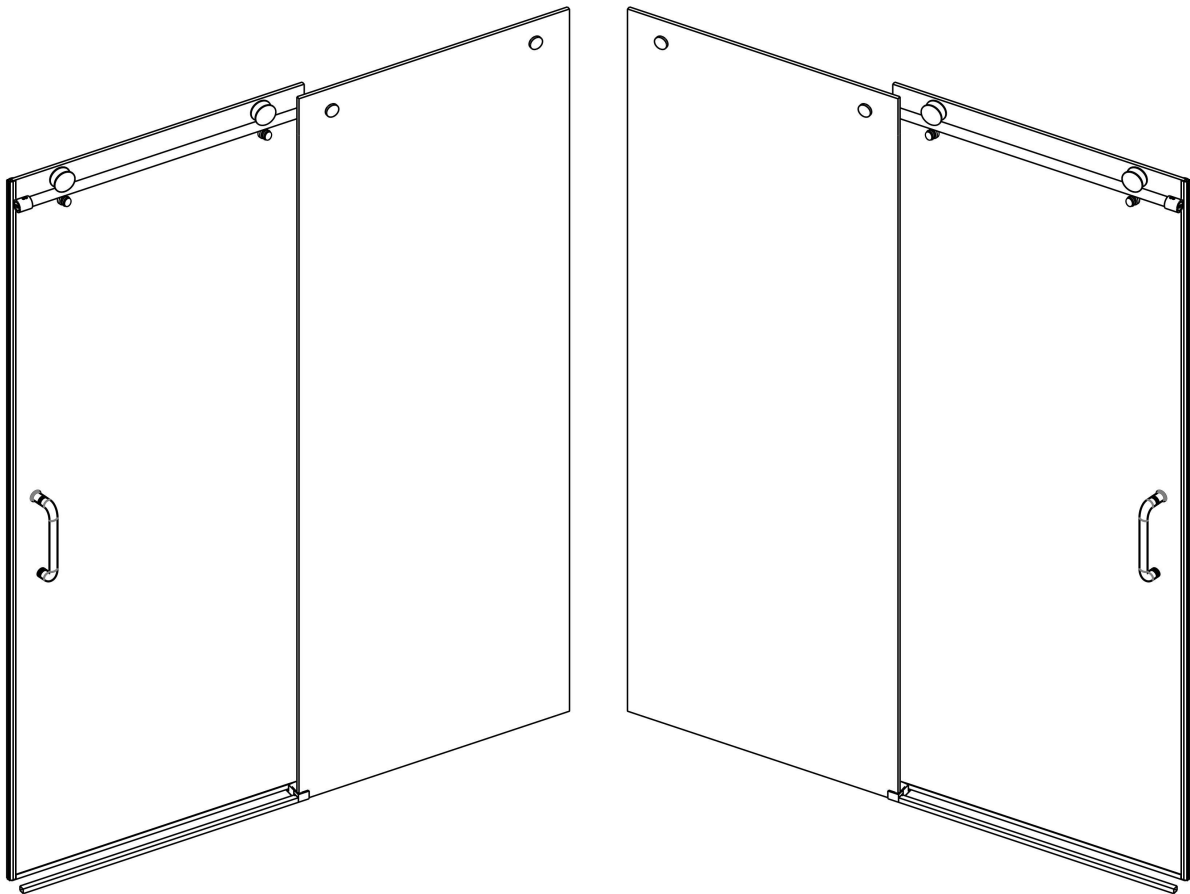


25D06

SHOWER DOOR

If you have any questions about the shower door, please feel free to contact us.



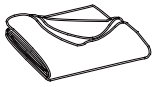
Reversible Installation

Attach Your Receipt Here

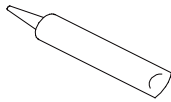
Model Number _____ **Purchase Date** _____

Thank you for purchasing this quality product. Please carefully inspect all packing materials and check the carton for small parts that may have come loose during shipping.

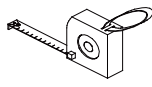
TOOL REQUIRED



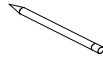
Soft Cloth
or Blanket



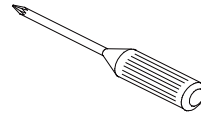
Caulk



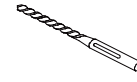
Tape
Measure



Pencil



Screwdriver



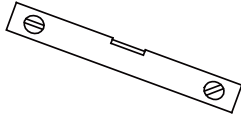
Drill Bit
(Ø6mm=0.24")



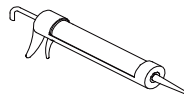
Drill Bit
(Ø3.2mm=0.12")



Safety Glasses



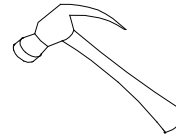
Level



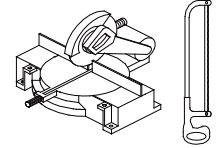
Caulk Gun



Drill



Hammer



Miter Saw
or Hacksaw

SAFETY INFORMATION

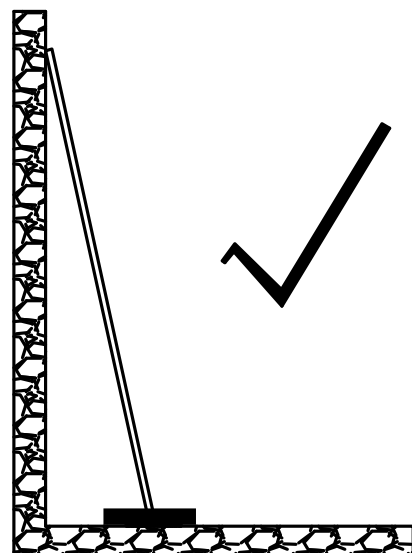
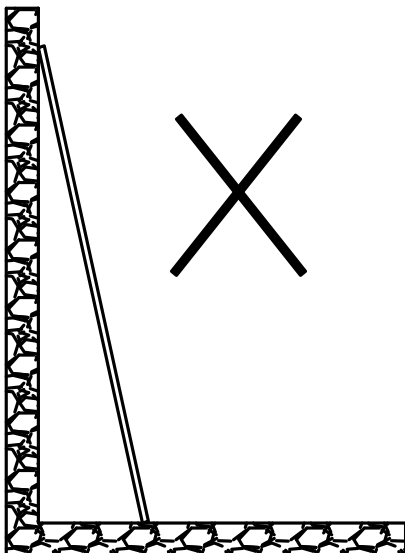
Before You Start

- **Read Thoroughly:** Carefully read all instructions and maintenance information. Failure to do so may result in injury or product failure.
- **Safety Gear:** Wear eye protection, cut-resistant gloves with a non-slip grip, and closed-toe shoes when cutting, drilling, or handling glass.
- **Professional Installation:** We strongly recommend installation by a licensed, insured contractor. Two-person assistance is required.
- **Inspect Components:** After unpacking, check the Shower Door Components Detail Sheet to ensure all parts are included. Inspect for shipping damage, defects, or missing parts, and contact customer support if needed. Double-check the glass doors for breakage—especially at the corners and edges. Do not install if the glass is damaged.



WARNING

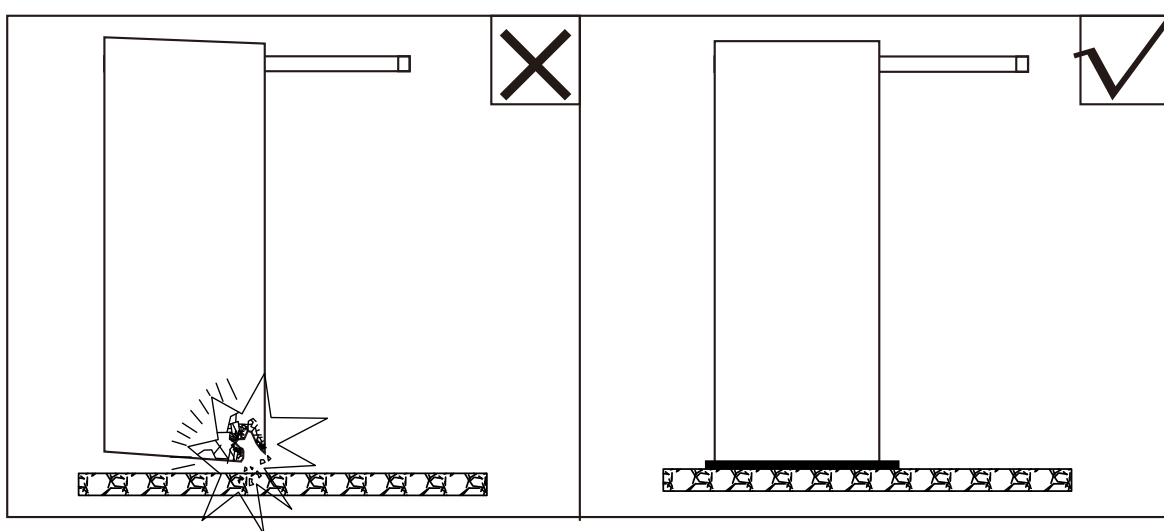
When placing the tempered glass upright, ensure a soft material is underneath and avoid impact to the corners or edges to prevent shattering.



WARNING



- Always place the glass horizontally and level during installation.
- Never let any corner touch the floor first —tempered glass may shatter immediately.
- Use a piece of thin foam from the packaging under the glass to protect it while handling.



CLEANING AND MAINTENANCE

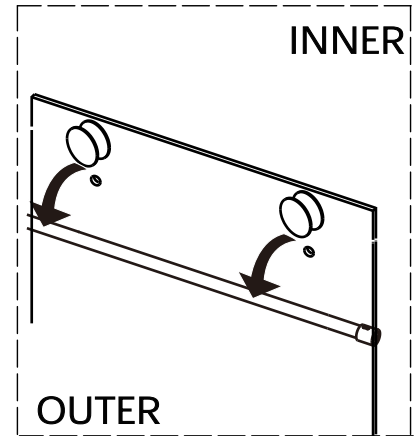
- Do not use abrasive or strong cleaning agents on the shower enclosure, such as alcohol, petroleum-based liquids, or acidic chemical cleaners.
- For stains, wipe the enclosure with a soft, lint-free cloth and warm, soapy water. Rinse thoroughly with clean water.
- After installation, if the glass door makes noise during operation, apply a small amount of lubricant to the roller wheels, bottom guide, and track as needed.

BEFORE INSTALLATION

Top Rail [02]

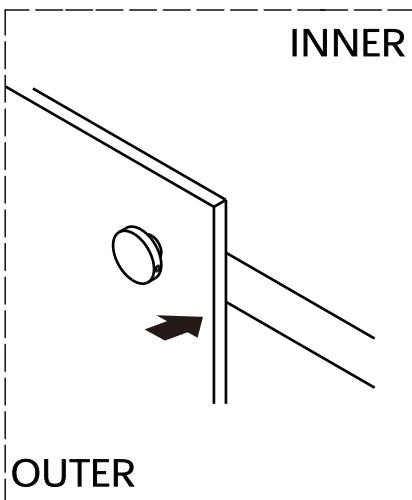
INNER (SHOWER) SIDE

Sliding Glass Door [03]



OUTSIDE

Fixed Glass [04]



*****REGARDLESS OF THE INSTALLATION ORIENTATION, THE FIXED GLASS SHALL BE POSITIONED ON THE OUTER SIDE, AND THE SLIDING GLASS SHALL REMAIN ON THE INNER (SHOWER) SIDE.**



Part list



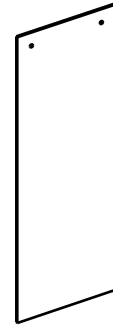
[01] x1
Anti-splash Threshold



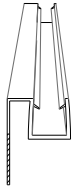
[02] x1
Top Rail



[03] x1
Sliding Door Panel



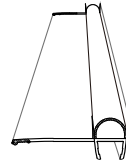
[04] x1
Fixed Panel



[05] x1
Seal Strip



[06] x1
Door Seal



[07] x1
Seal Strip



[08] x1
Handle Set



[09] x2
Anti-jumping Knob



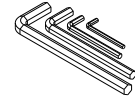
[10] x2
Top Roller



[11] x2
Guide Rail Bracket



[12] x1
Guide Block

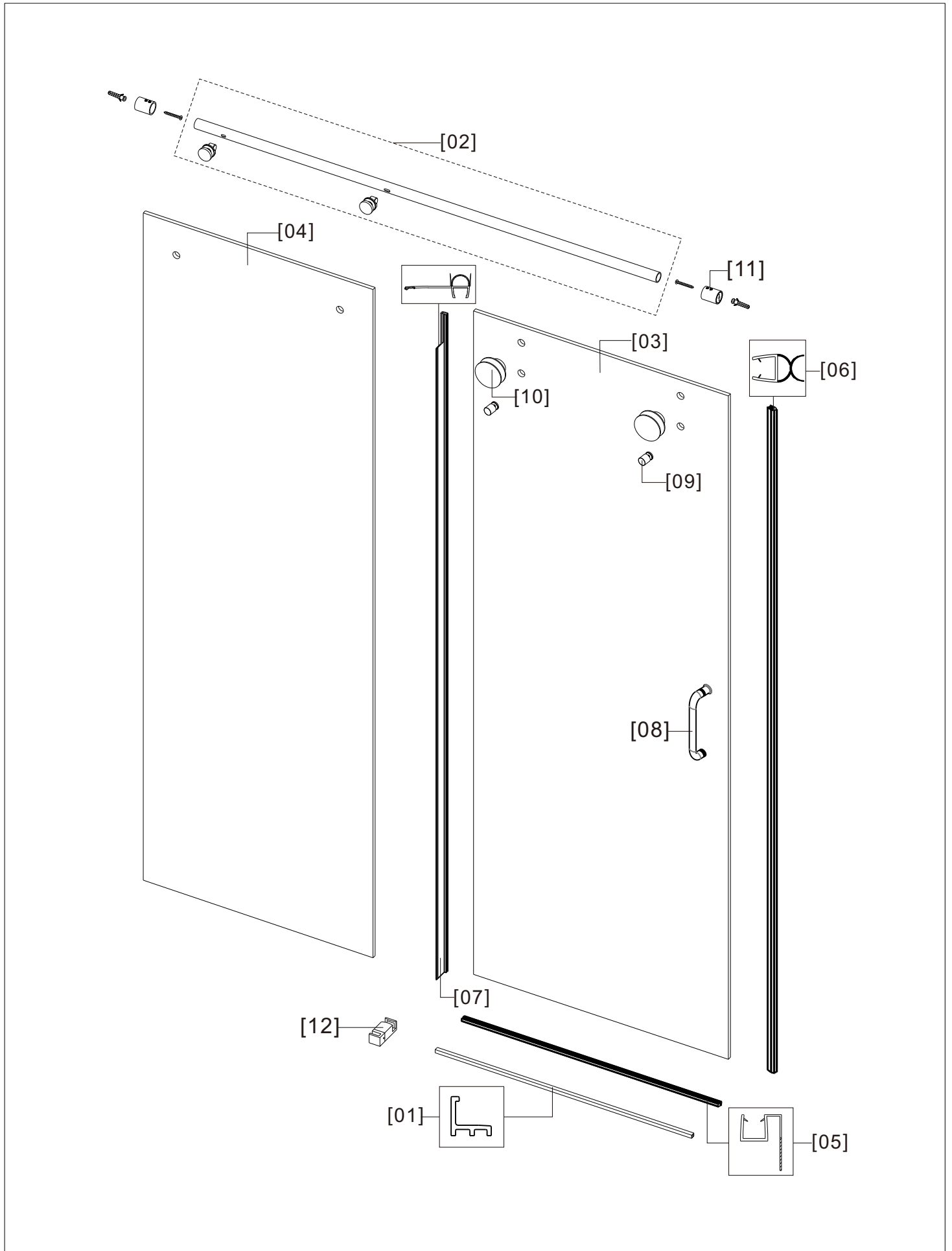


Hex wrench



[13] x 1
Measuring Tool

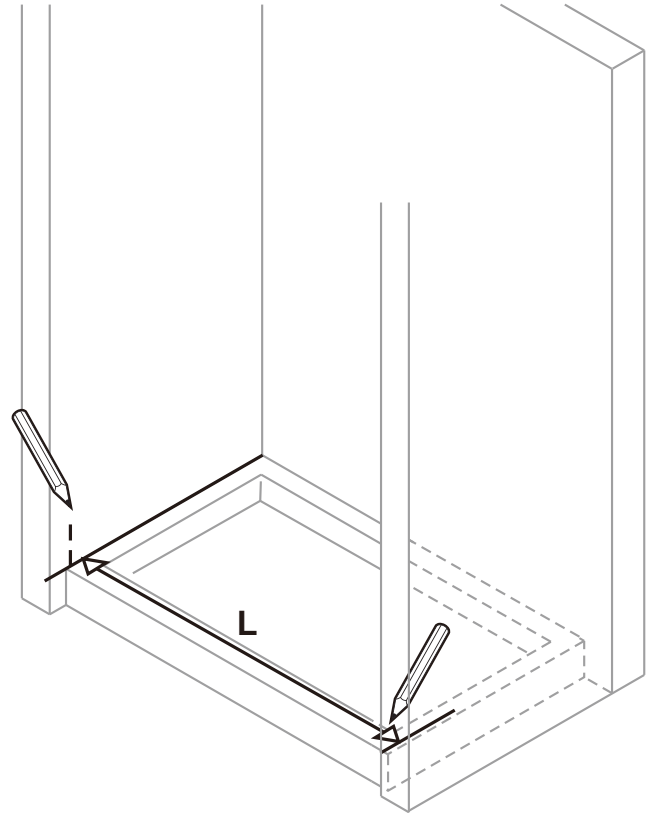
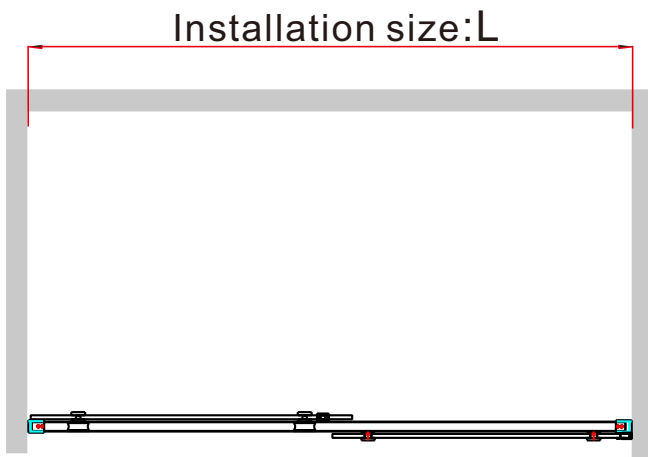
EXPLODED VIEW



Step 1: Measure and Trim to Fit

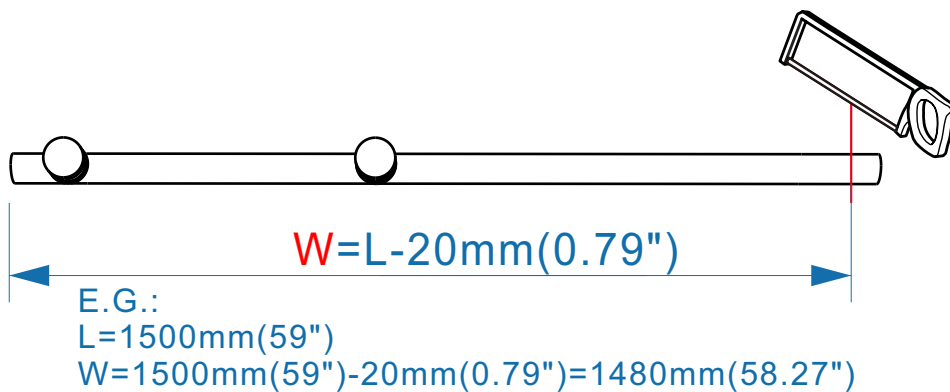
NOTE: Designed for a standard 60-inch opening, this shower door can be trimmed by up to 4 inches to fit spaces from 56 to 60 inches wide. If your opening is exactly 60 inches, no trimming needed.

Size (in.)	L	
	Min.	Max.
60"	56"	60"

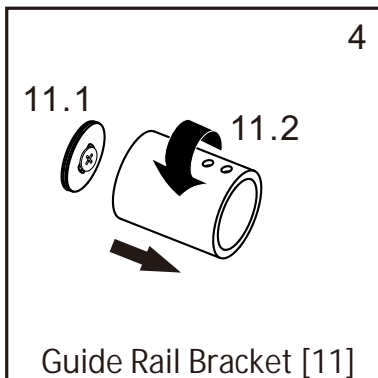
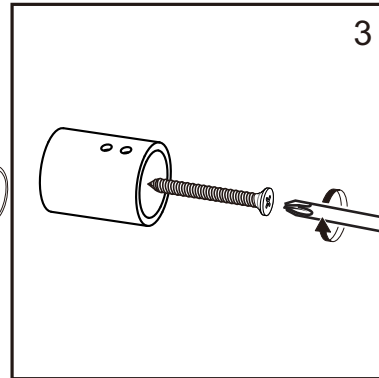
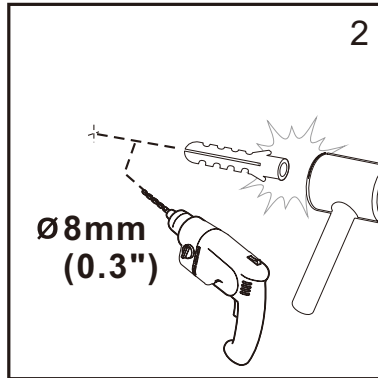
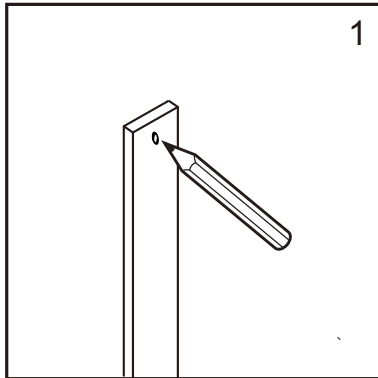
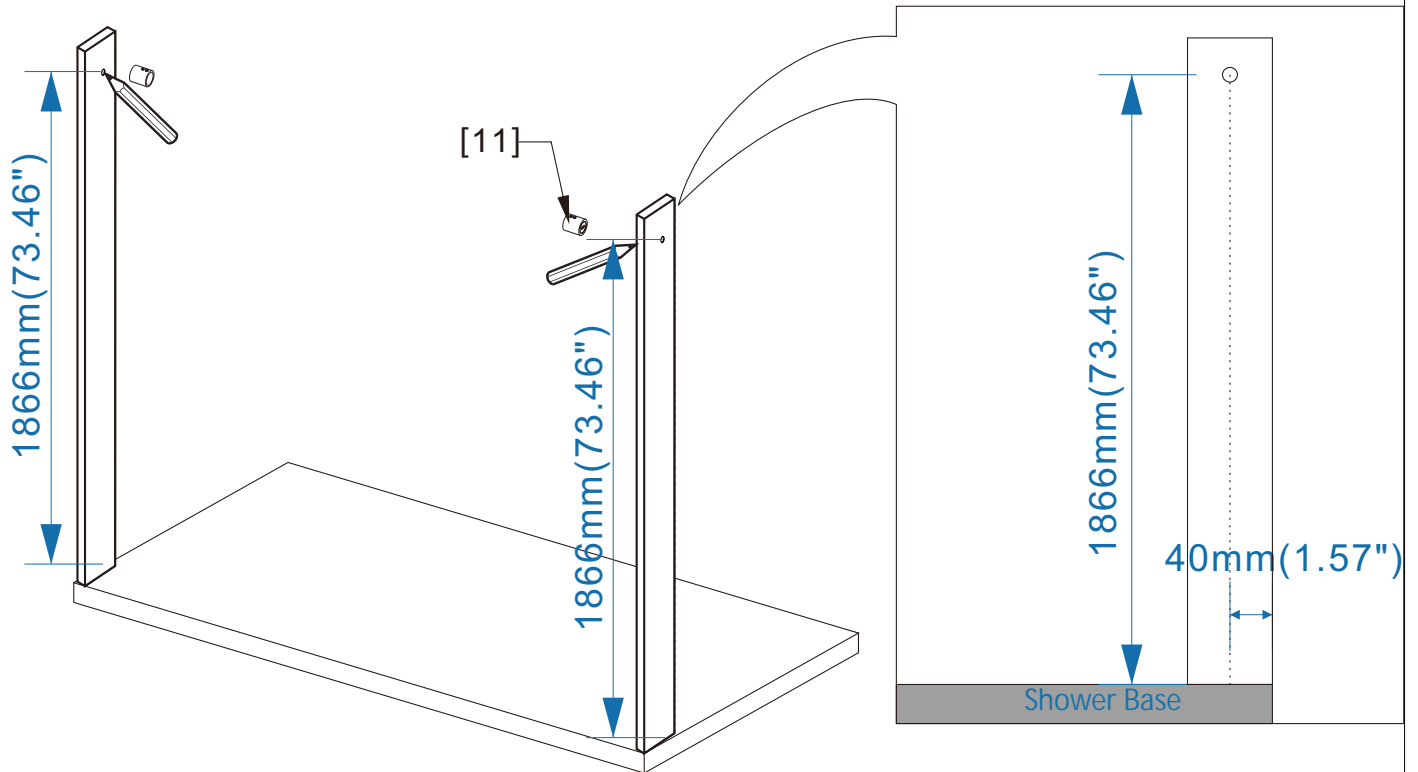


①. Measure the width of the shower opening with a tape measure and record it as installation size **L**.

②. Cut the Top Rail [02] to length **W**: Installation size **L** - 20mm(0.79").

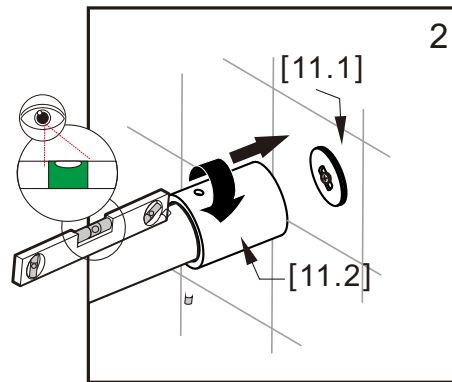
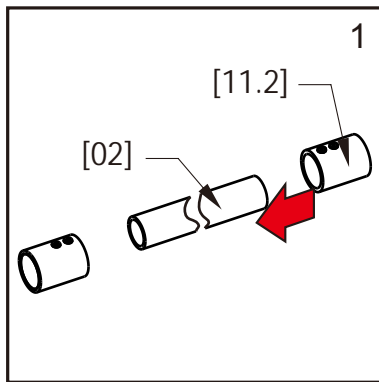
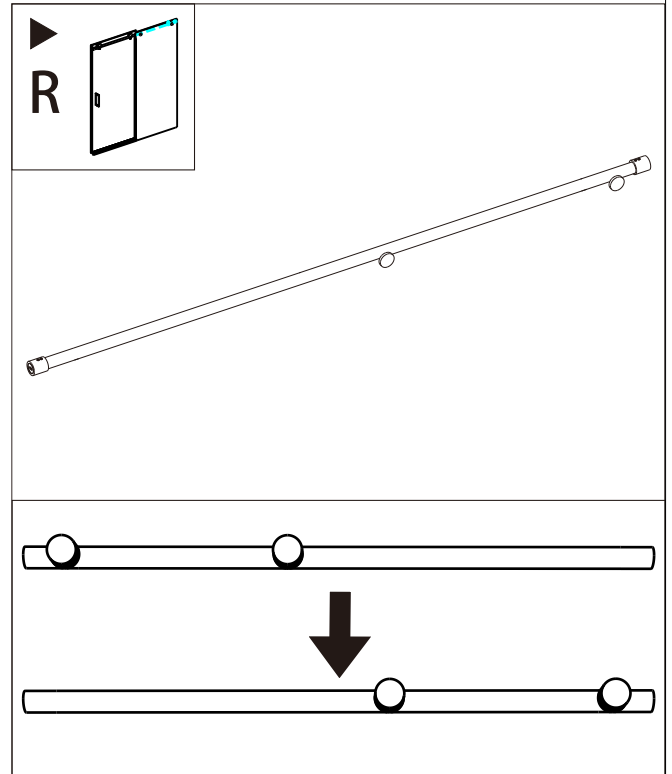
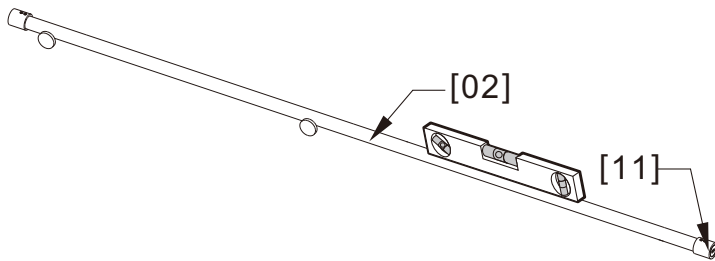


Step 2: Wall Hole Marking & Drilling



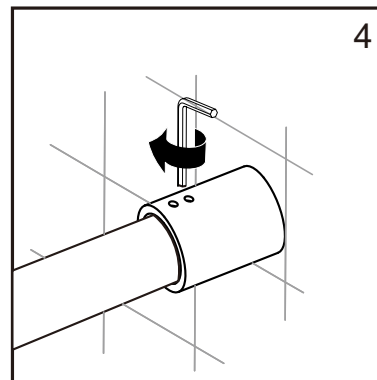
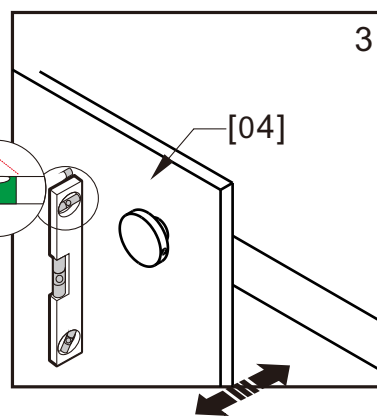
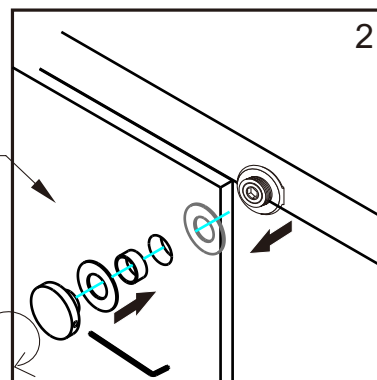
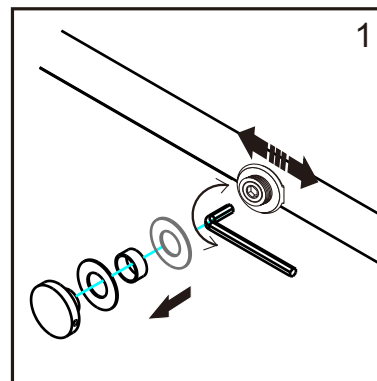
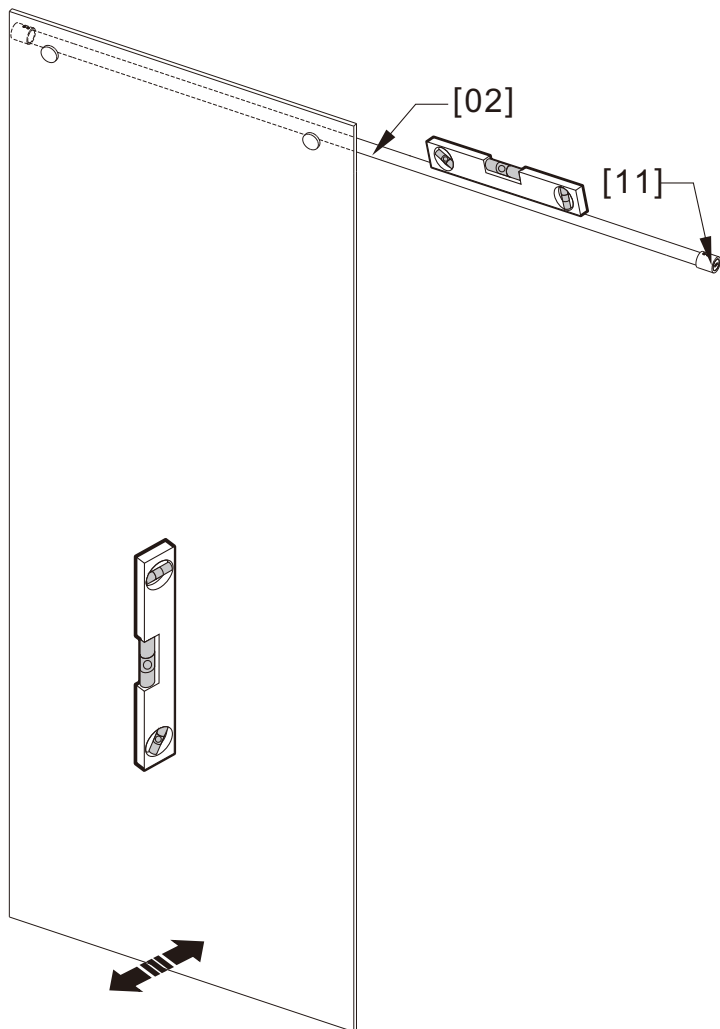
- ❶ Place the **Measuring Tool [13]** vertically against the wall on the floor. Use a pencil to mark the hole position through the tool onto the wall. Repeat this for both left and right side walls to ensure symmetry. If a shower base is installed, keep 40mm (1.57") from the base edge.
- ❷ Drill holes with a 8 mm (0.3") bit and insert the expansion sleeves on both sides of the wall.
- ❸ Fasten the **Guide Rail Bracket [11]** using the provided screws.
- ❹ Fix the **Bracket Base [11.1]** to the wall on both sides. Then remove the **Bracket Cover [11.2]** from the base.

Step 3: Install the Top Rail



1. Slide the **Bracket Cover [11.2]** into both ends of the **Top Rail [02]**.
2. Align the **Top Rail [02]** with the **Bracket Base [11.1]** and tighten the bracket. Ensure the top rail remains horizontal during installation.

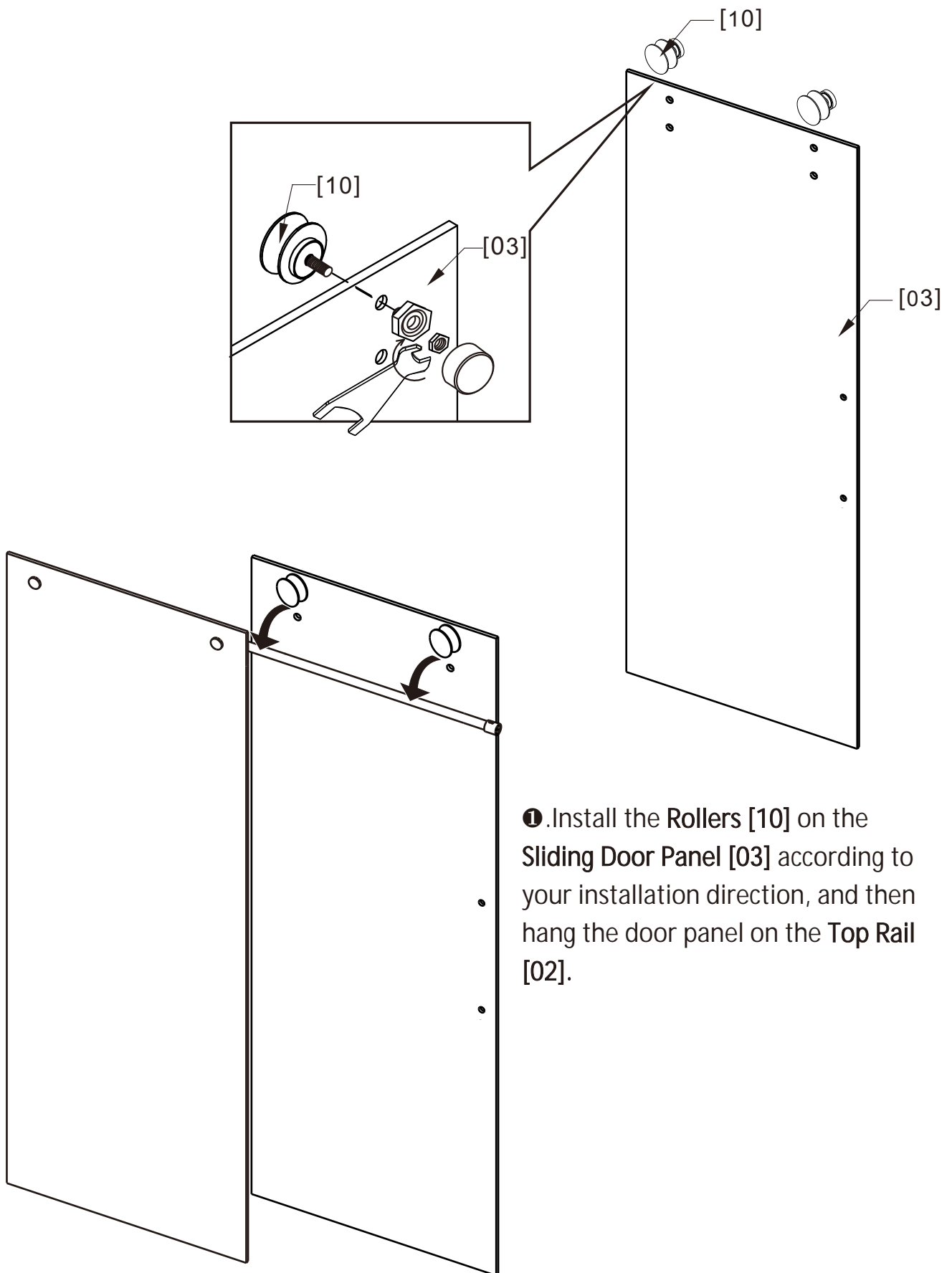
Step 4: Install the Fixed Glass Panel



- ❶. Remove the glass clamps from the Top Rail [02].
- ❷. Connect the Fixed Panel [04] to Top Rail [02] and lock in place. If the gap between the glass and the wall is too large during installation, adjust the position of the glass clamps appropriately.
- ❸. Adjust Fixed Panel [04] until the level bubble is centered, ensuring the glass is perfectly perpendicular to the ground.
- ❹. Tighten the screws on the Guide Rail Bracket [11] with hexagon wrench to secure the rail to the wall.

*****Keep the glass level during installation. Under no circumstances should the glass be placed with only one corner touching the floor, as uneven placement may cause it to break*****

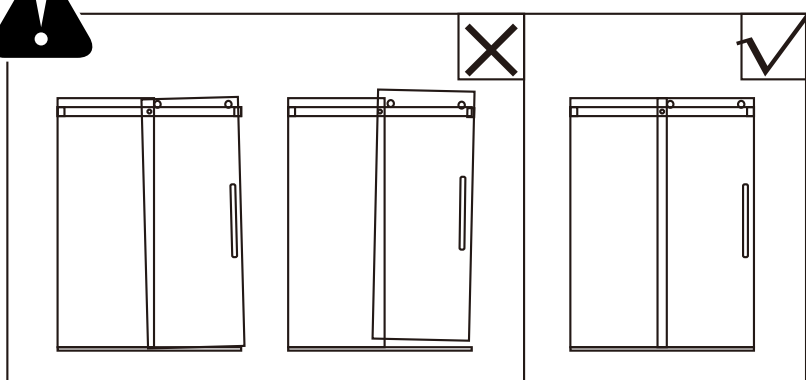
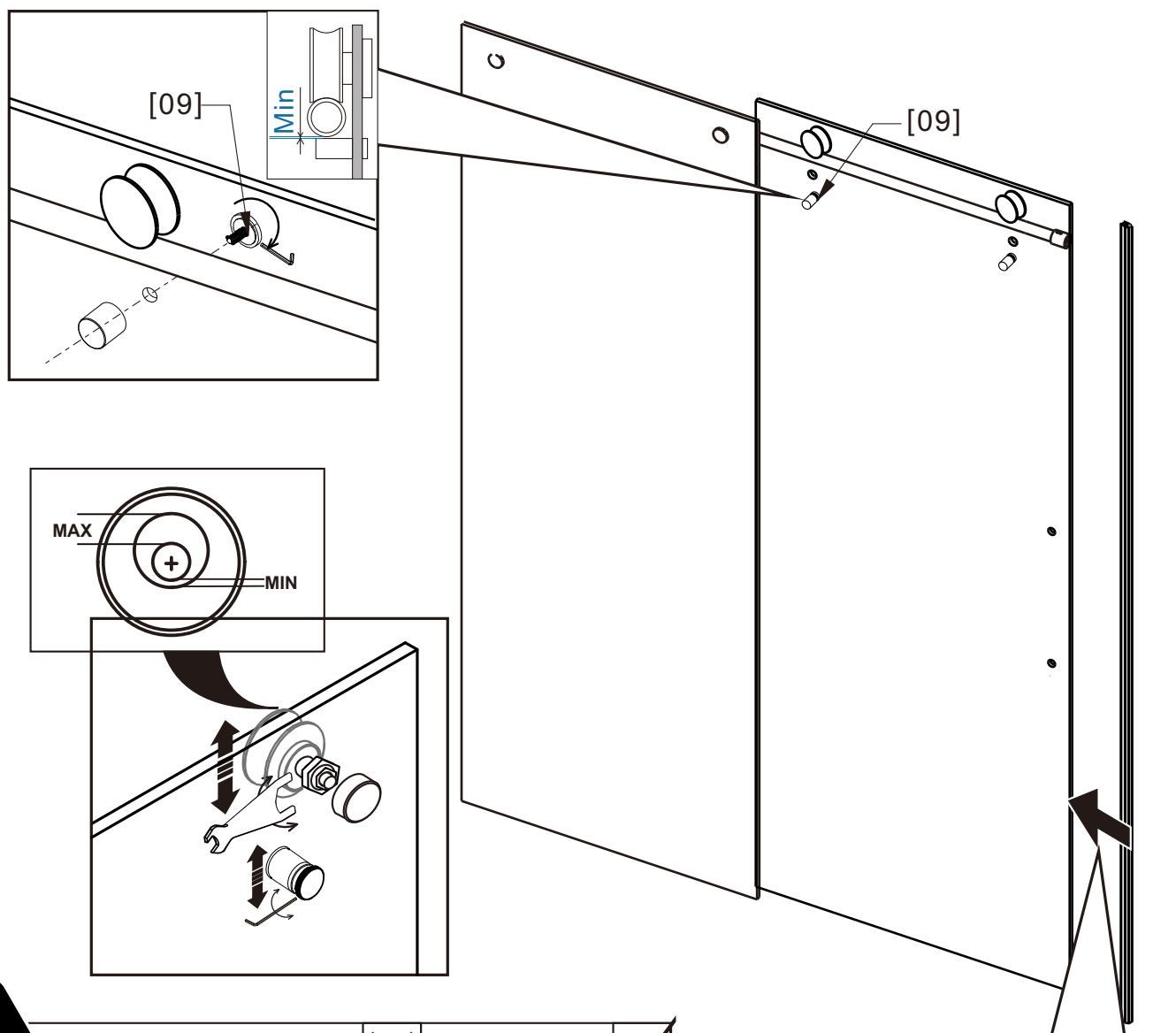
Step 5: Install the Sliding Glass Panel



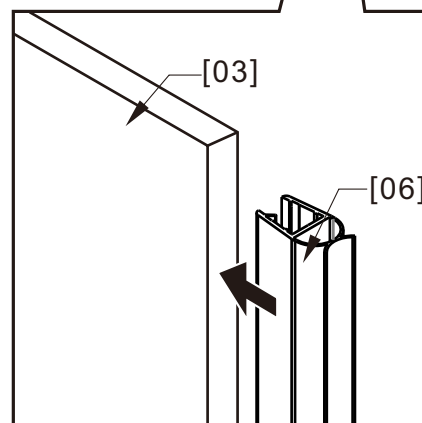
❶. Install the Rollers [10] on the Sliding Door Panel [03] according to your installation direction, and then hang the door panel on the Top Rail [02].

DOOR ASSEMBLY

②. Install the Anti-jumping Knob [09] on the Sliding Door Panel [03].

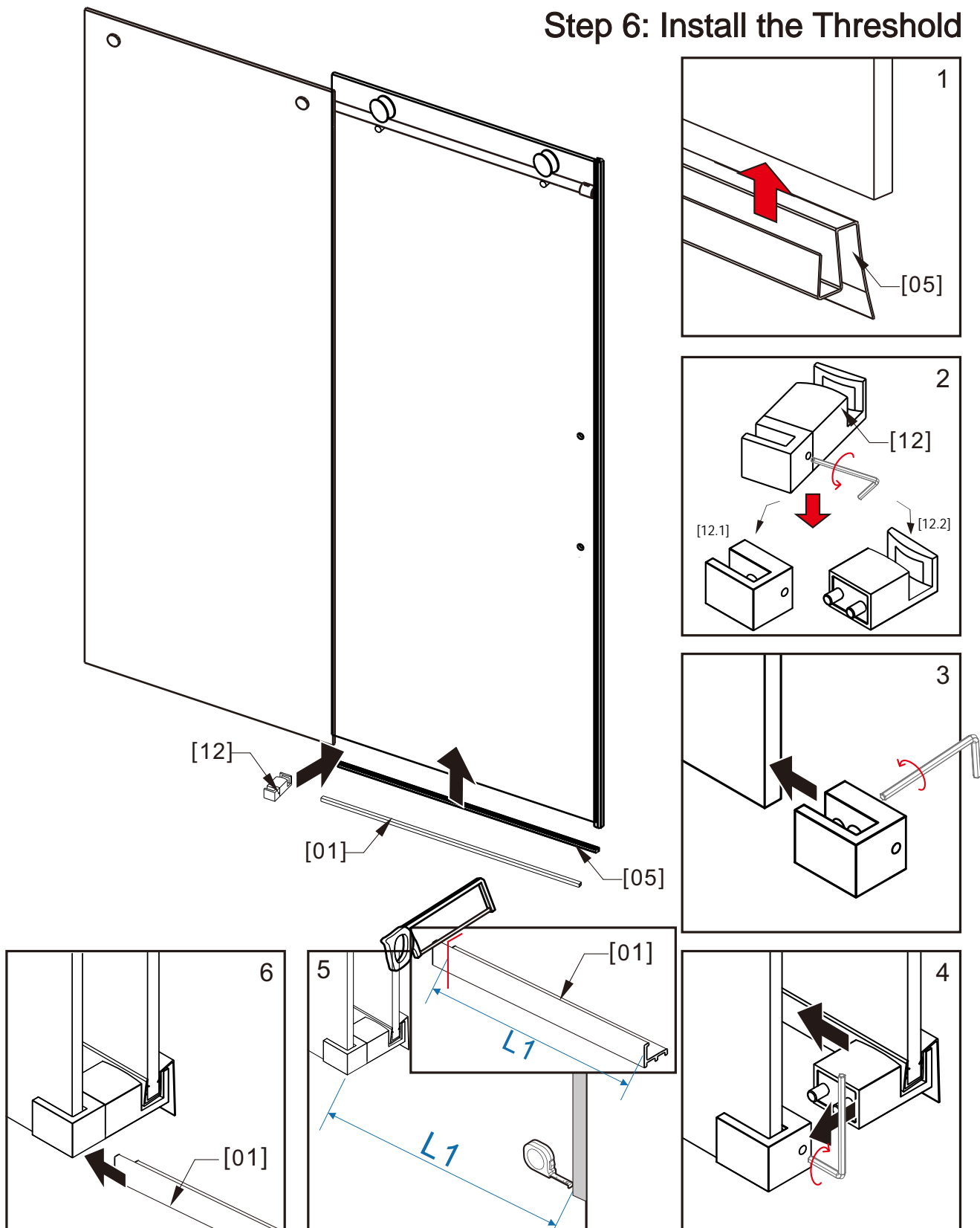


Note: Adjust the eccentric pieces of the Rollers [10] and Anti-jumping Knobs [09] to correct the vertical angle of the door glass, ensuring the Door Seal [06] is parallel to the wall.



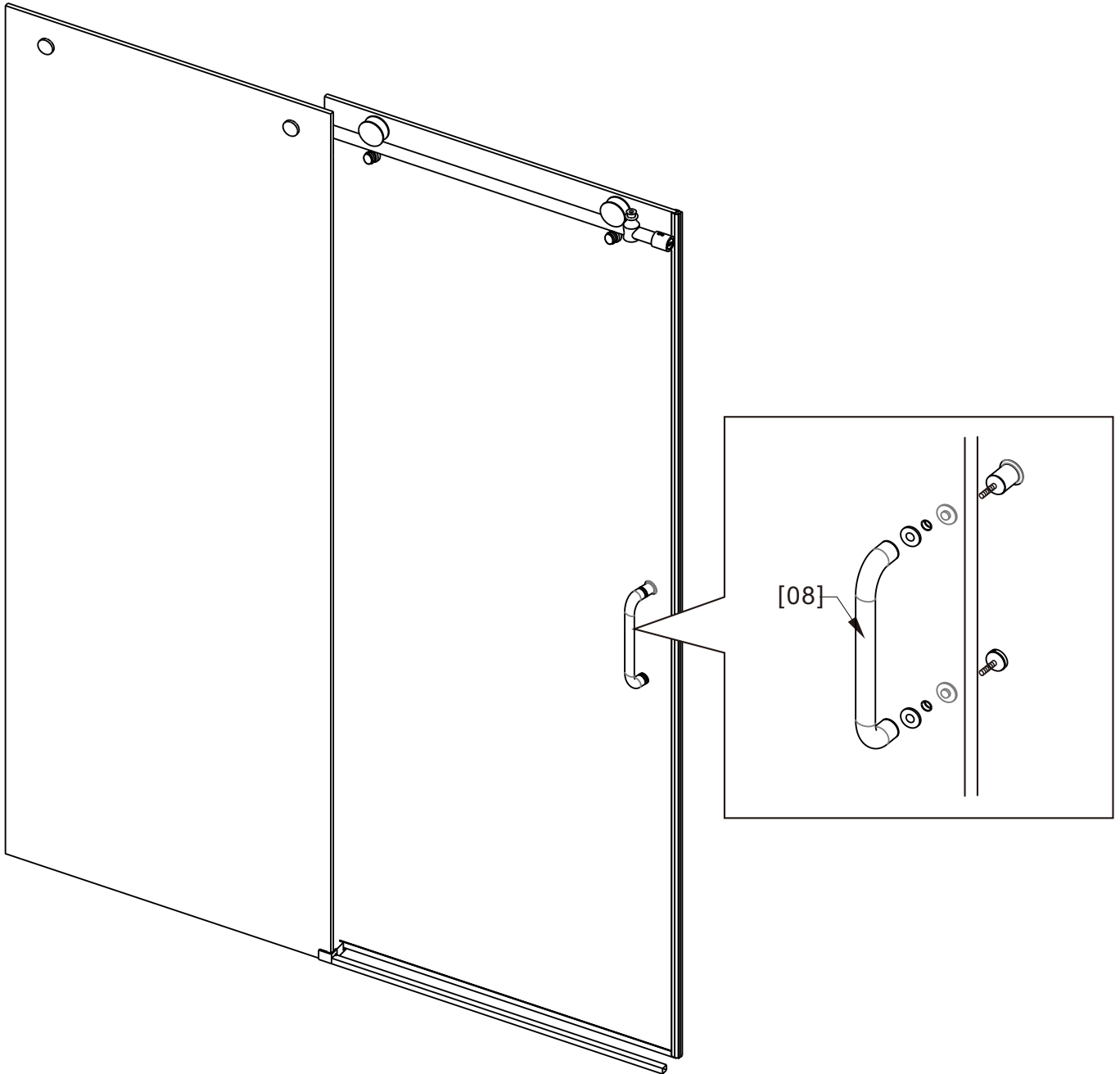
③. Install the Door Seal [06] on the side of Sliding Door Panel [03] facing the wall.

Step 6: Install the Threshold



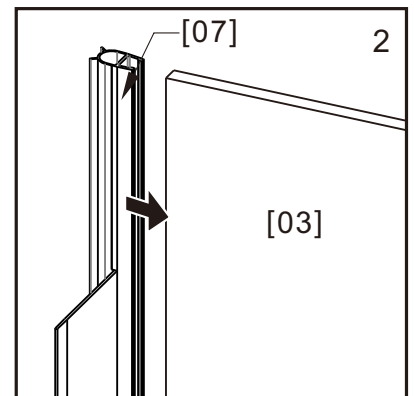
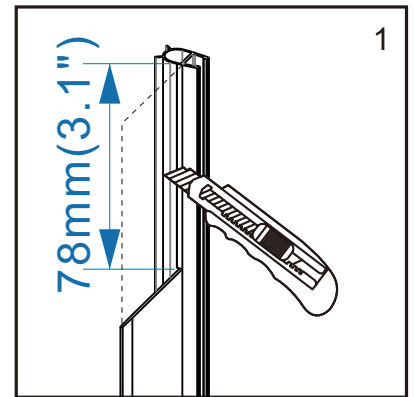
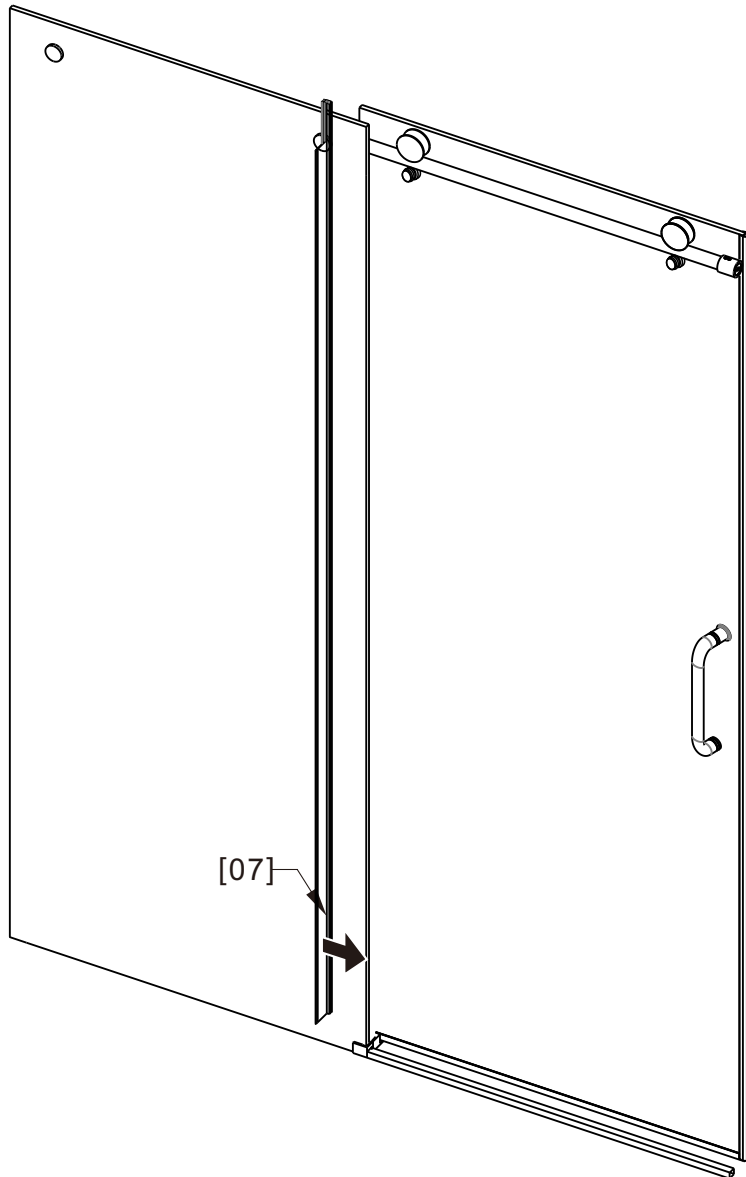
- ①. Insert the Seal Strip [05] into the bottom of the Sliding Door Panel [03].
- ②. Disassemble the Guide Block [12].
- ③. Place the Part [12.1] on the fixed glass bottom and secure it with a hex wrench.
- ④. Slide the Part [12.2] onto the bottom edge of the sliding glass panel. Then attach Part [12.2] to [12.1] and tighten them together using a hex wrench.
- ⑤. Measure Guide Block to the wall (L1). Cut Anti-splash Threshold [1] to length L1 if needed.
- ⑥. Apply silicone sealant to the bottom of Anti-splash Threshold [1] and place it next to the Guide Block [2].

Step 7: Install the Handles



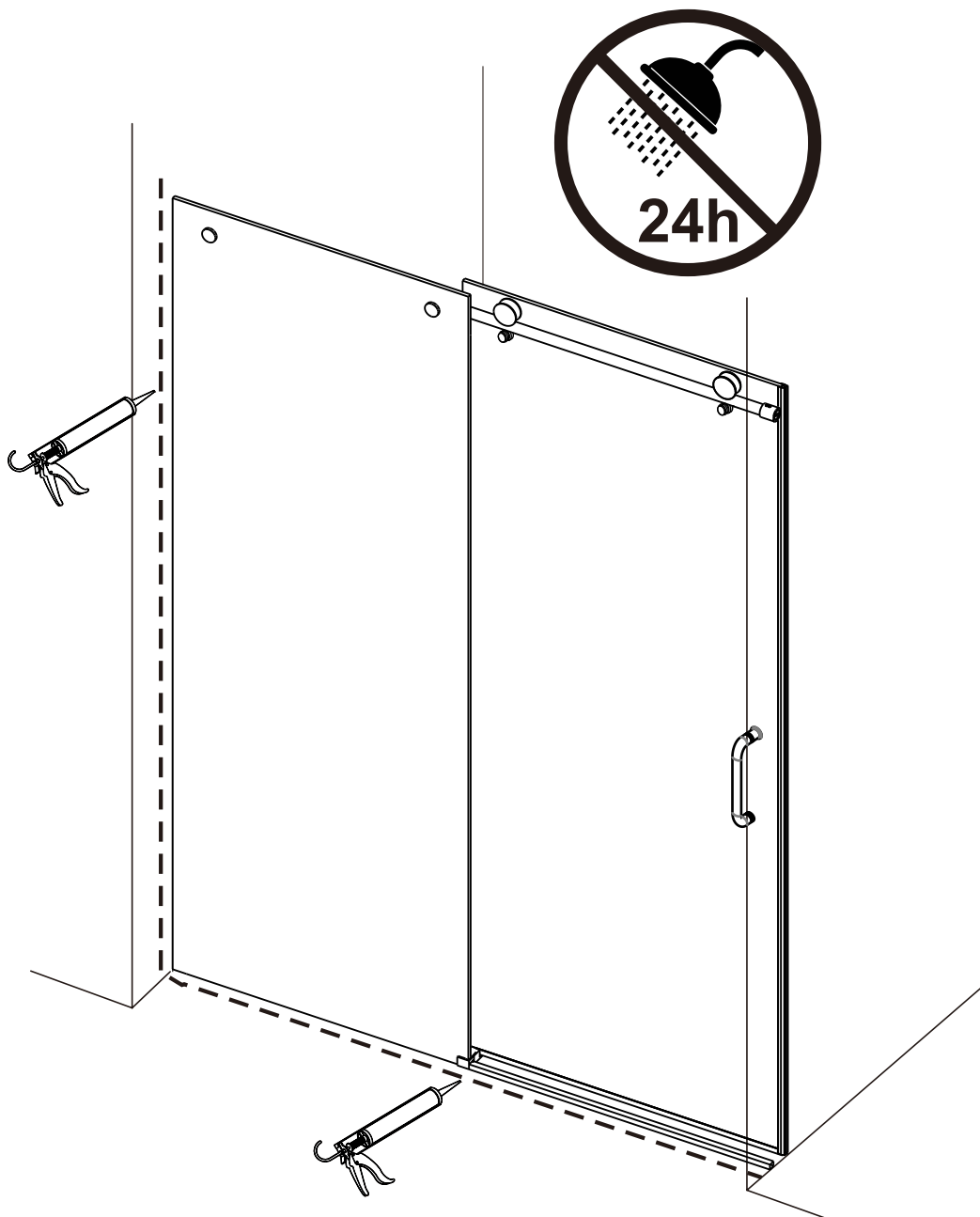
1. Mount the Handle [08] on the Sliding Door Panel [03], and lock it with a hexagon wrench.

Step 8: Adjust Seal Strip Height



1. Trim the flapper on Seal Strip [07] where it interferes with the upper guide rail, as shown in the image.
2. Install Seal Strip [07] on Sliding Door Panel [03].

Step 9: Door Seal



1. Apply silicone sealant to the seams between the fixed glass and the shower base/floor, and between the wall and the glass (as indicated by the dotted line).

MUST ALLOW SILICONE TO DRY FOR 24 HOURS BEFORE USING THE SHOWER DOOR