

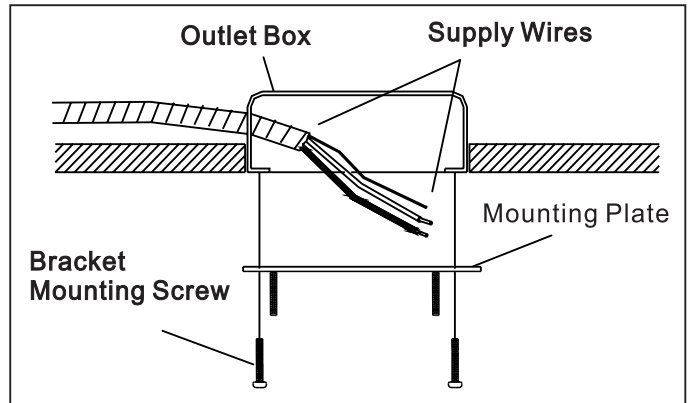
INSTRUCTIONS FOR PENDANT LIGHT

WARNING:

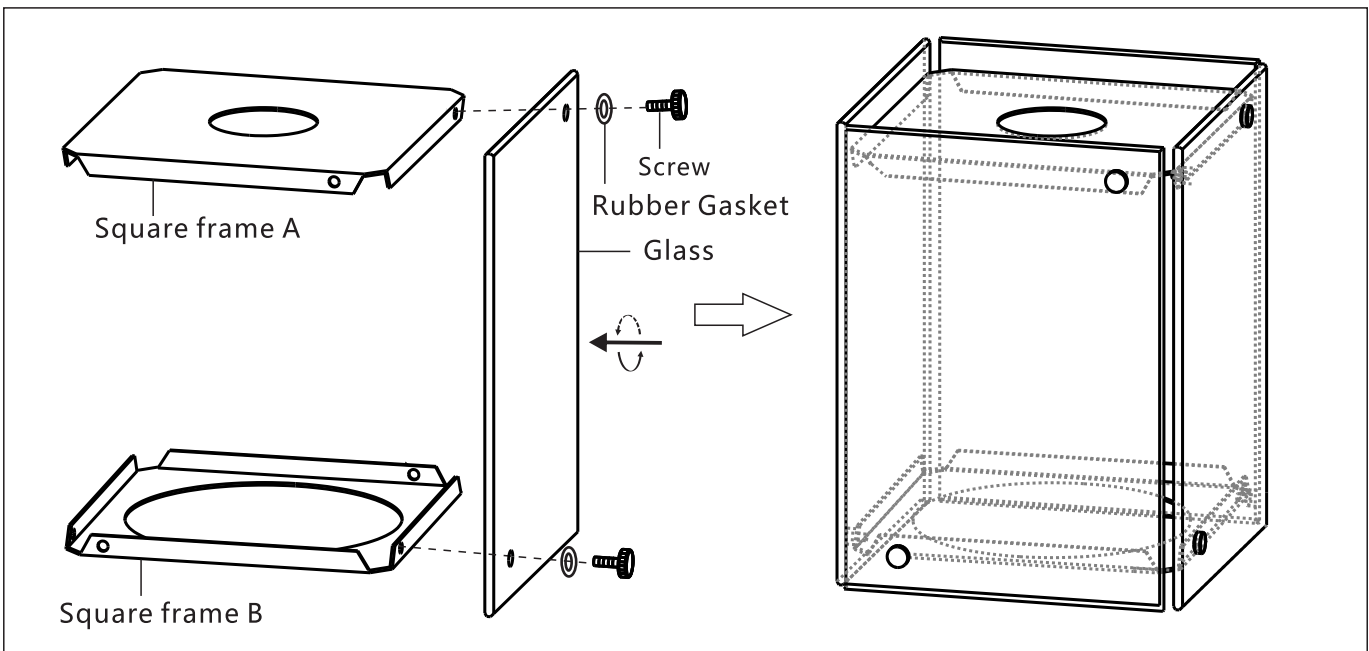
- We suggest a qualified, licensed electrician to perform the installation.
- Before starting installation disconnect the power by turning off the Circuit Breaker or by removing fuse at the fuse box.

Install Mounting Plate:

1. disconnect power at the circuit breaker.
2. Pull the Supply Wires from the Outlet Box.
3. Attach the Mounting Bracket to the Outlet Box using the Bracket Mounting Screws.
4. Hand tighten to secure.

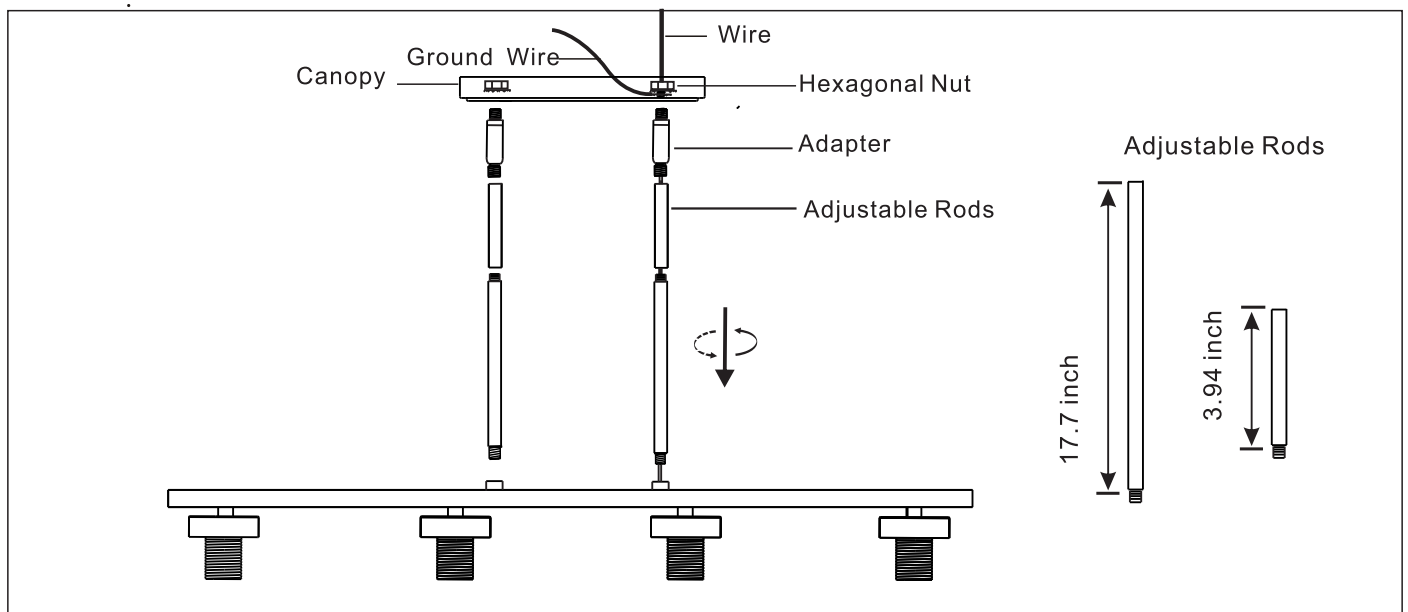


Assembling glass lamp shades



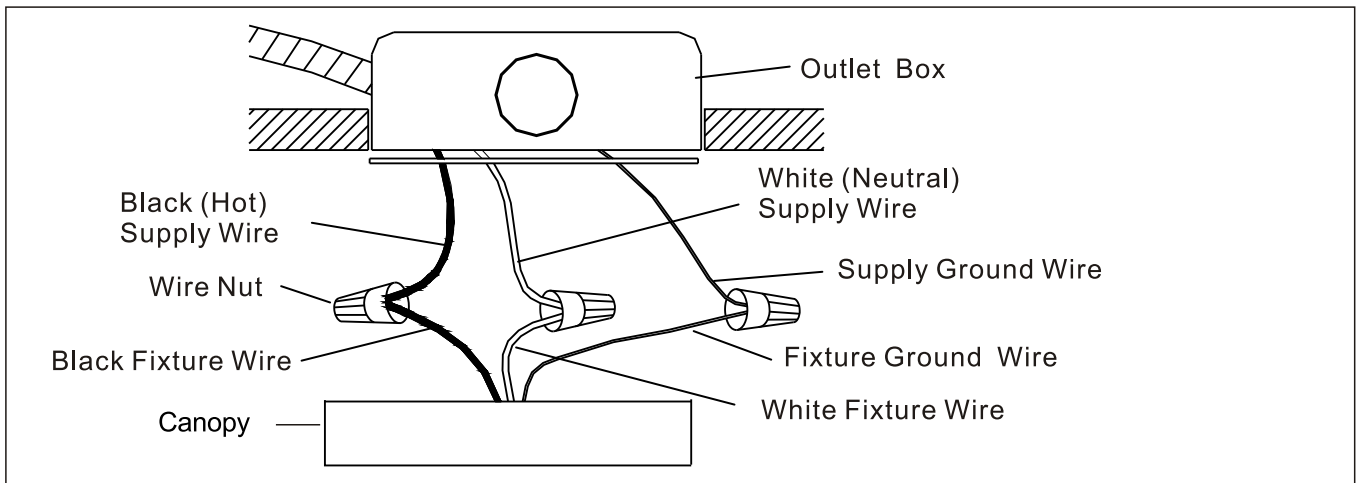
Install Rod&Canopy:

1. Put Adjustable Rods & Adapter to Fixture turning clockwise until it sits flush and fixed.
2. Put Canopy to Fixture with Hexagonal Nut turning clockwise until it sits flush and fixed.

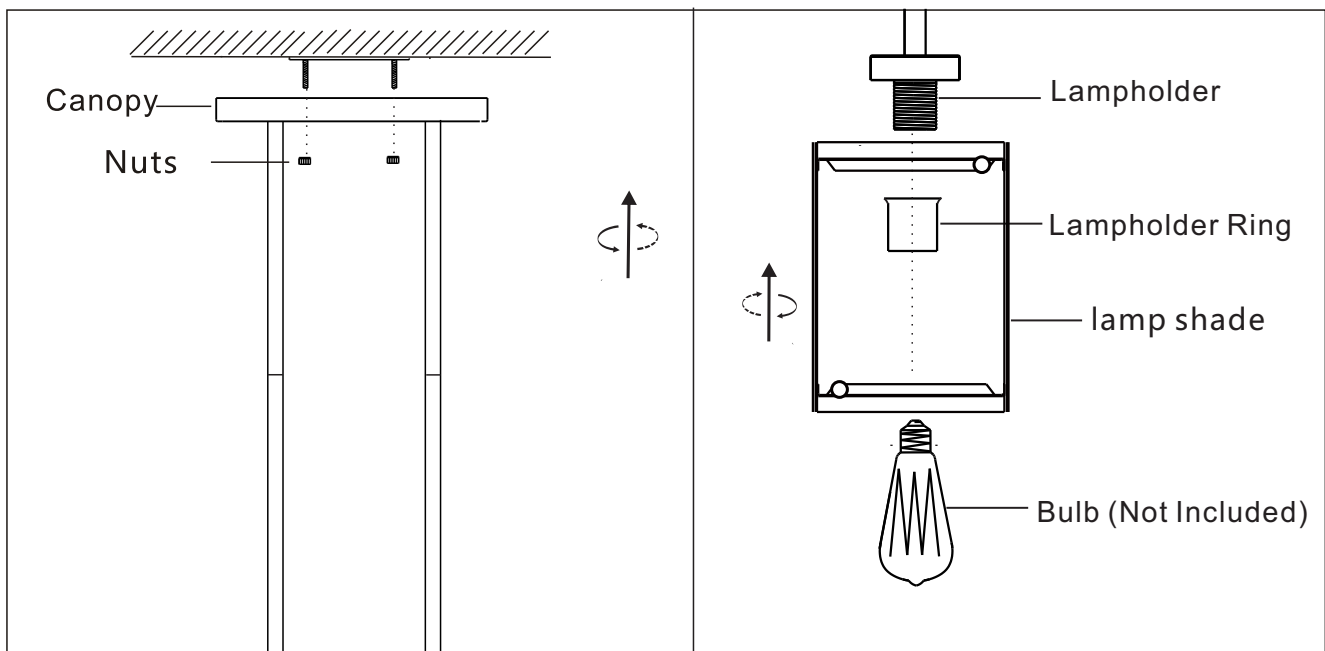


Make Wire Connections:

1. Connect BLACK fixture wire to the BLACK supply wire and the WHITE fixture wire to the WHITE supply wire.
2. Connect the fixture ground wire to the Outlet-Box ground wire.
3. Secure all connections with the supplied wire nuts. Secure all wire connections with electrical tape (not supplied).
4. Tuck all wires carefully into Outlet-Box



Install Fixture to the Mounting Plate and Insert Bulbs



Install Fixture to the Mounting Plate:

1. Position canopy over the mounting plate.
2. Align the holes with the side of the mounting plate with the two holes on the side of the canopy and secure with the supplied screws and Nuts.
3. Tighten the Lamp shade to the lampholder by Lampholder ring.
4. Insert the Bulbs (Not Included).

Please Note: DO NOT EXCEED THE WATTAGE AS STATED ON THE WARNING LABEL.

5. After the bulbs have been installed, restore the electricity and check the operation of your new fixture.

Dimmer Note: For the best lighting experience, we recommend using a dimmer. Not only does this allow you to create a great ambiance, it allows for energy savings and extends the life of the bulbs.