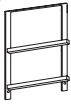
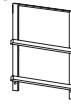




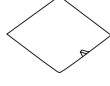
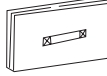




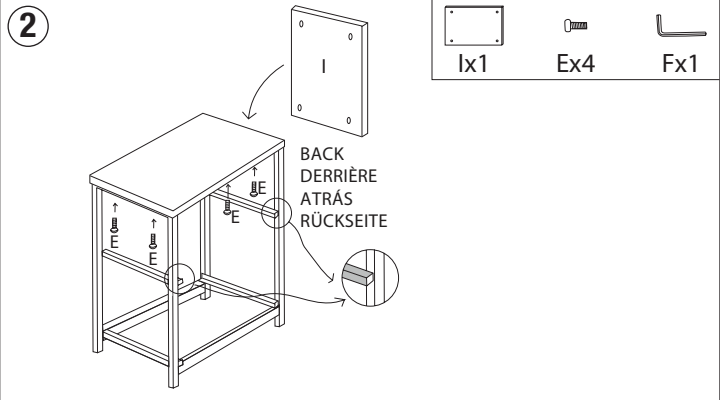
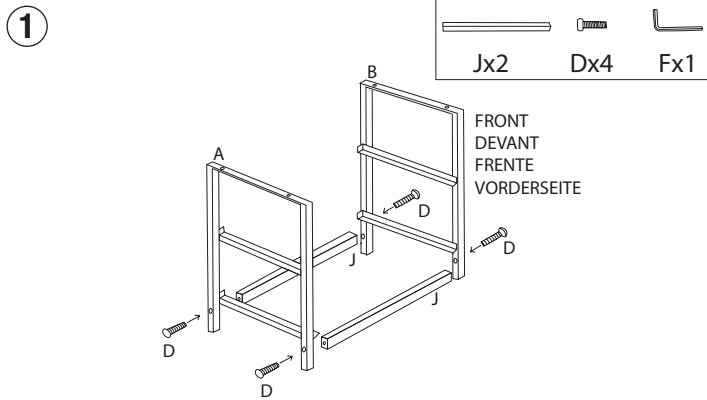
2 Drawer Storage

Assembly Instructions

Thank you for your purchase. Please reference assembly instructions before use. Make sure all parts are present and place them side by side for easy identification.

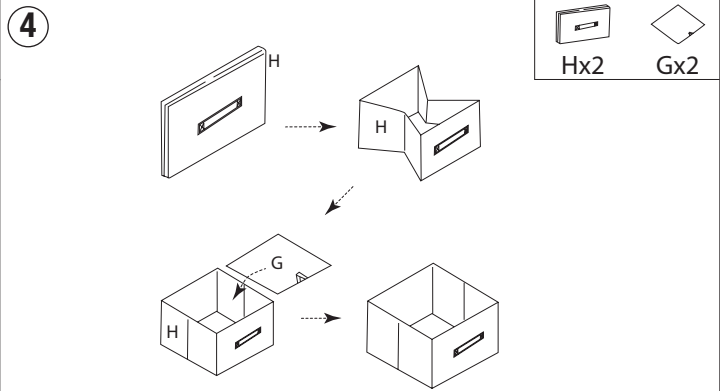
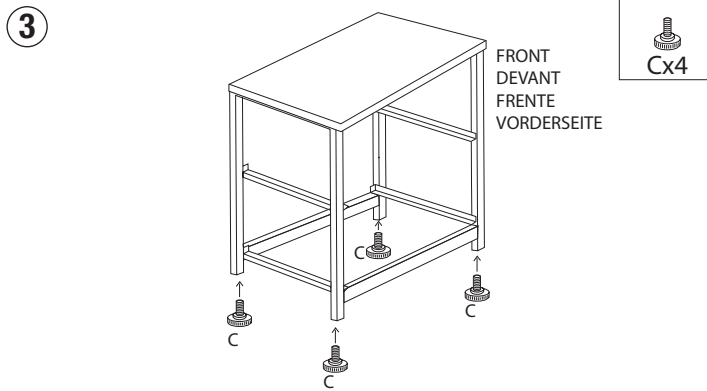
Package Contents:

A Frame  1PC	B Frame  1PC	C Frame Screw  4PCS	D Screw  4PCS	E Screw  4PCS
F Hex Wrench  1PC	G Drawer Flooring  2PCS	H Drawer  2PCS	I Drawer Top  1PC	J Frame Pole  2PCS



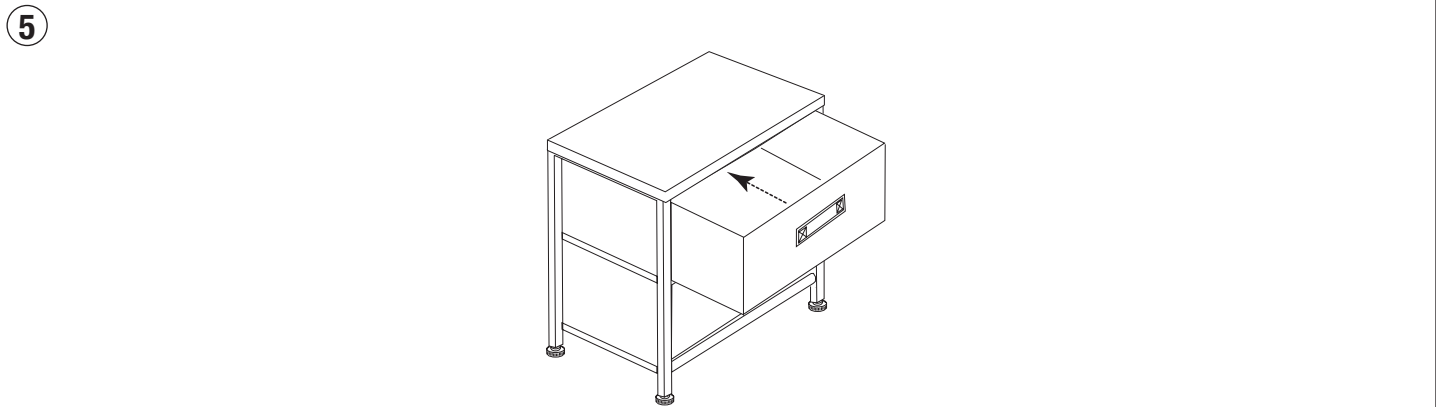
Step 1: Connect frame poles (J) to frames (A) & (B) and secure with screws (D) .

Step 2: Place drawer top (I) over combined frames and secure with screws (E).



Step 3: Insert frame screws (C) into the legs of the combined frame pieces.

Step 4: Unfold drawer (H), then place drawer flooring (G) inside.



Step 5: Insert drawers within assembled storage dresser, then tighten installed screws. Enjoy!