

ASSEMBLY INSTRUCTIONS

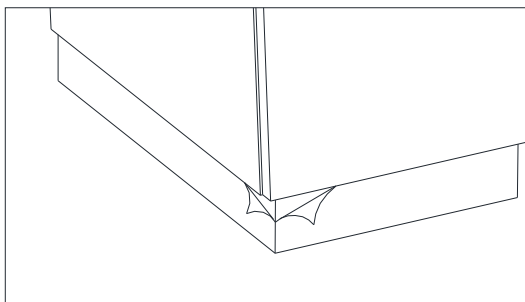
FURNITURE



Fine Furniture for every stage of life

ASSEMBLY INSTRUCTIONS

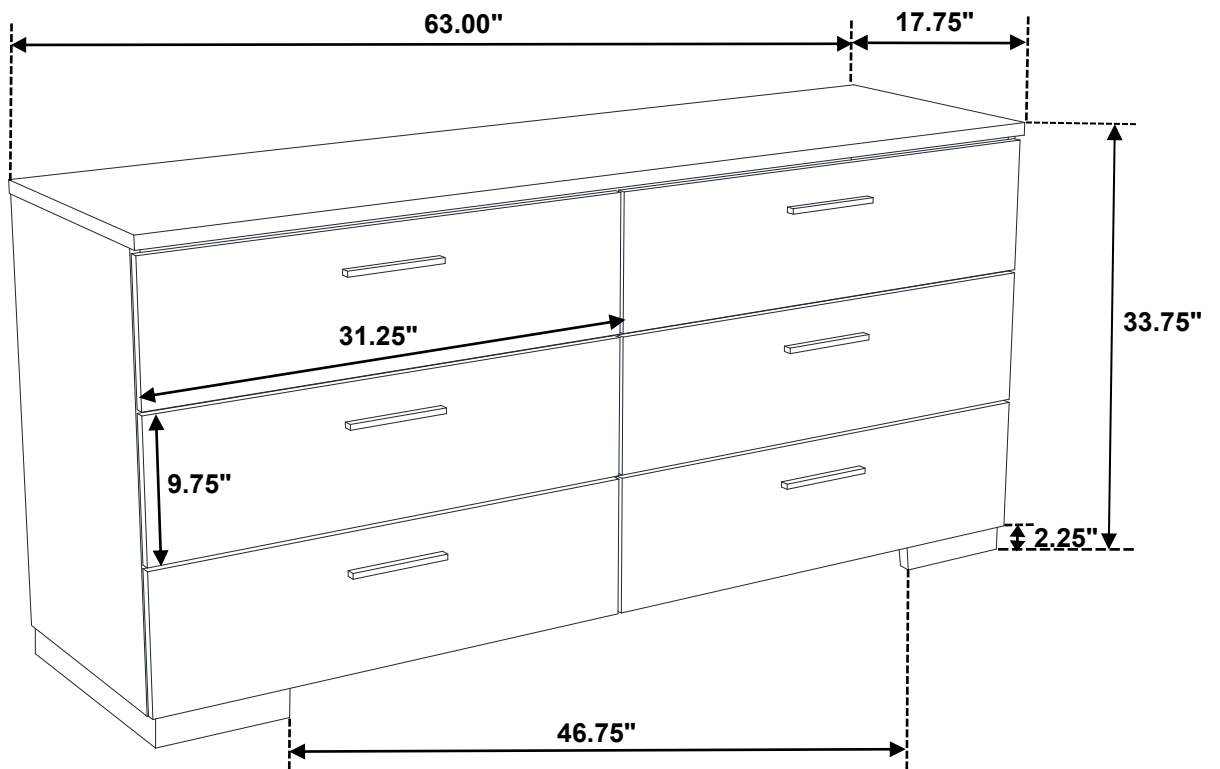
REMOVAL OF PROTECTIVE FILM



**PLEASE REMOVE THE
PROTECTIVE FILM
BEFORE USE**



Inner Size of Drawer : 28.75"W x 12.50"D x 5.00"H x 0.25"T



Note : Dimension tolerance $\pm 5\%$

ASSEMBLY INSTRUCTIONS
COASTER FINE FURNITURE



Fine Furniture for every stage of life

203504
Mirror

ASSEMBLY INSTRUCTIONS

ASSEMBLY TIPS:

1. Remove hardware from box and sort by size.
2. Please check to see that all hardware and parts are present prior to start of assembly.
3. Please follow attached instructions in the same sequence as numbered to assure fast & easy assembly.



WARNING!

1. Don't attempt to repair or modify parts that are broken or defective. Please contact the store immediately.
2. This product is for home use only and not intended for commercial establishments.



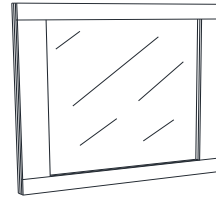
ASSEMBLY TIME

5 MINUTES

PARTS IDENTIFICATION

A

MIRROR



1PC

B

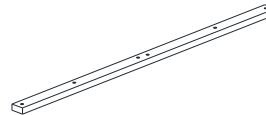
DRESSER
FROM BOX ITEM # 203503



1PC

C

MIRROR SUPPORT
(PACK WITH DRESSER)



2PCS

HARDWARE IDENTIFICATION

1

FLAT HEAD SCREW
(M4 x 32mm - RBW)



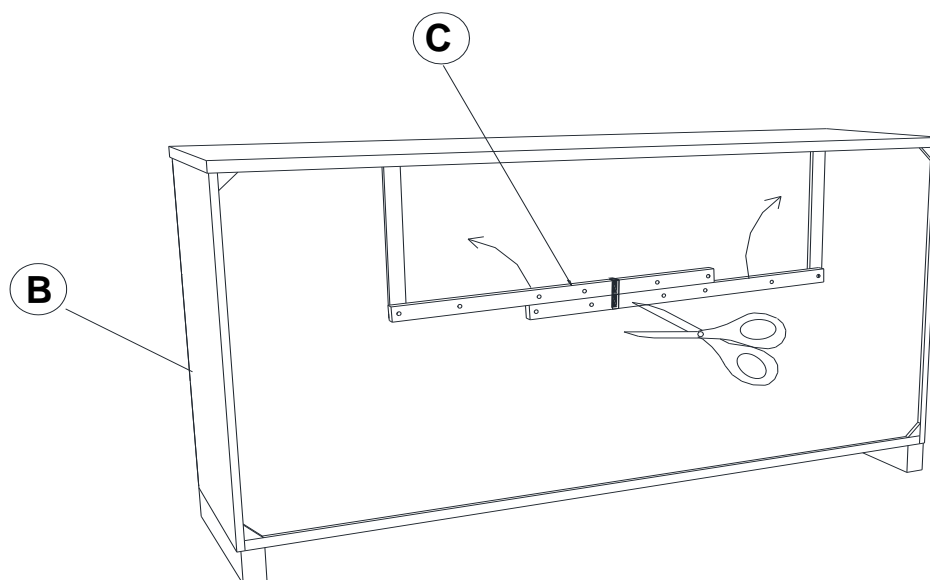
10PCS

NOTE:

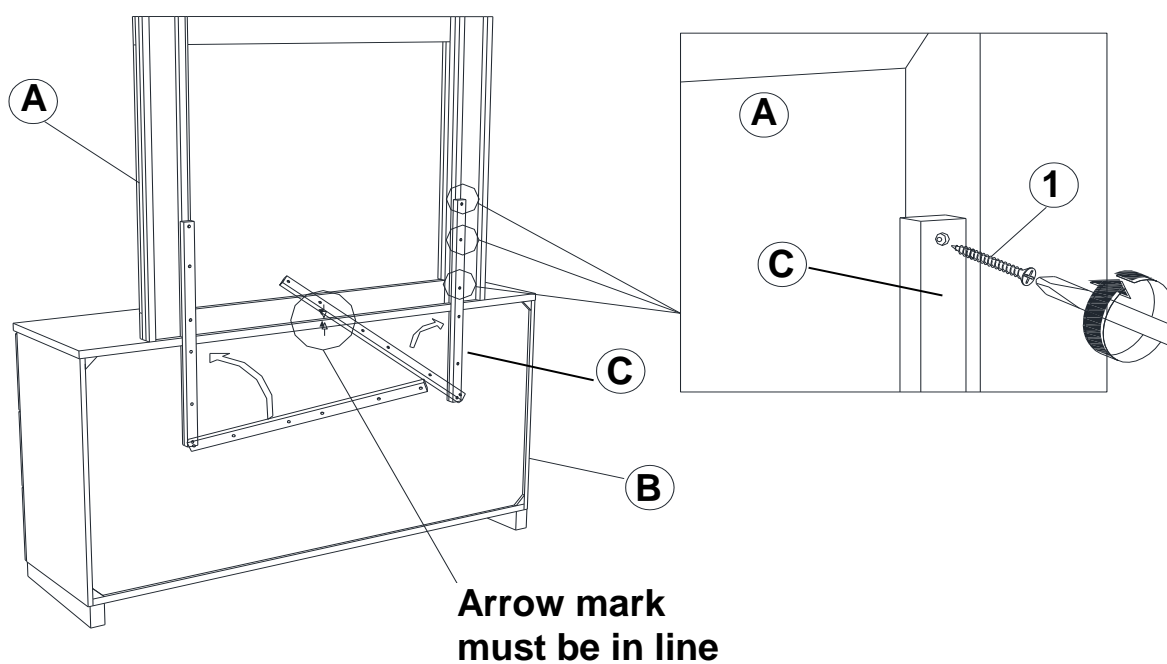
Phillips head screw driver is required in the assembly process; however, manufacturer does not provide this item.

ASSEMBLY INSTRUCTIONS

STEP 1



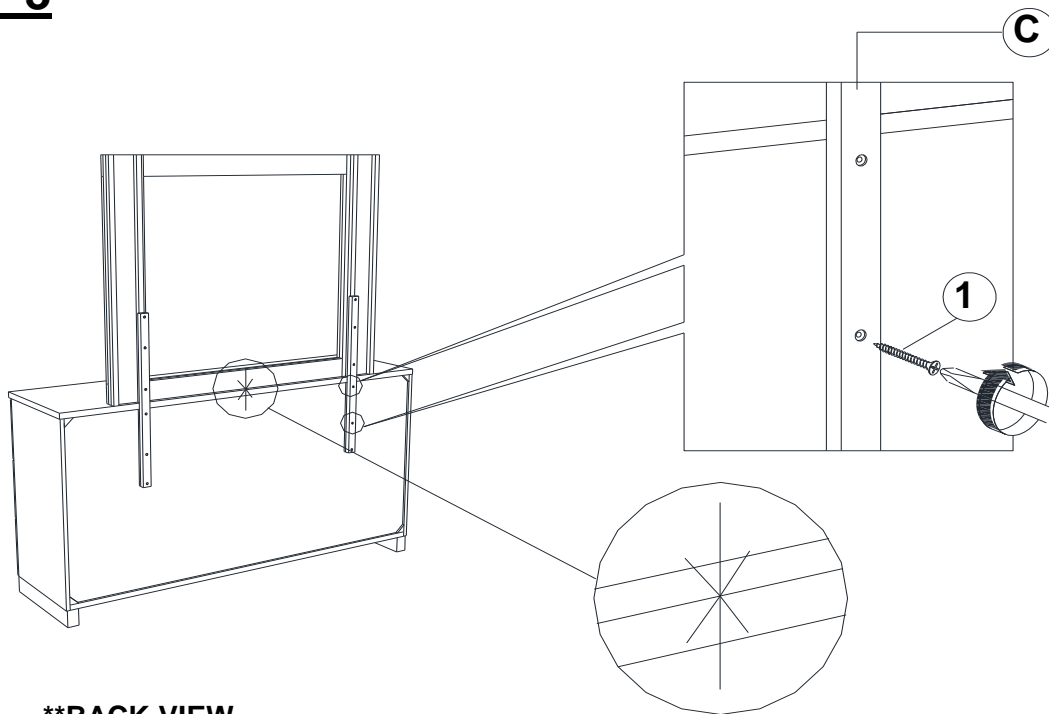
STEP 2



****BACK VIEW**

ASSEMBLY INSTRUCTIONS

STEP 3

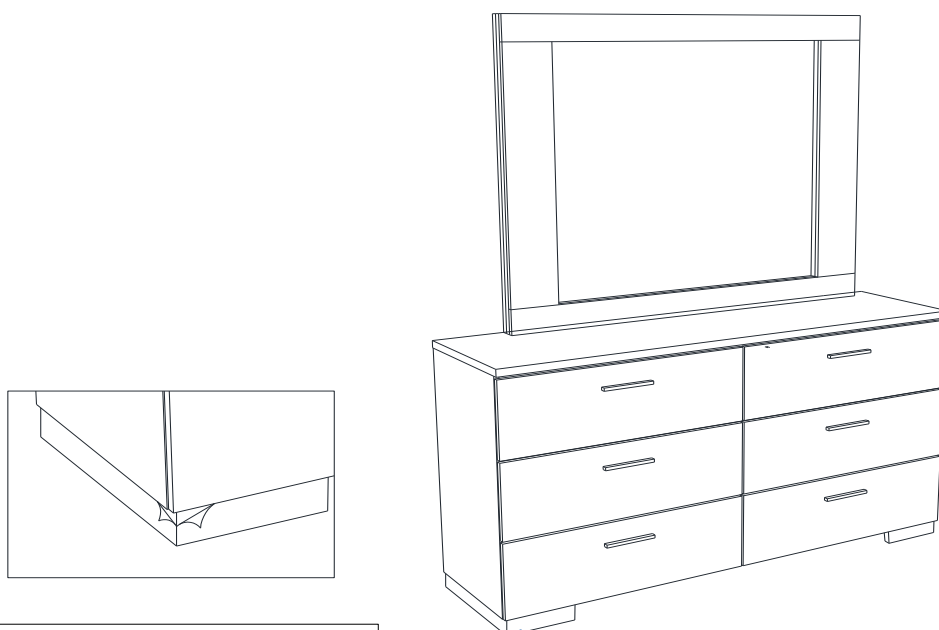


****BACK VIEW**

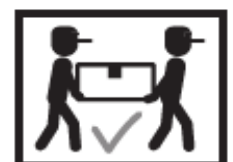
Arrow Marking Must Be Aligned

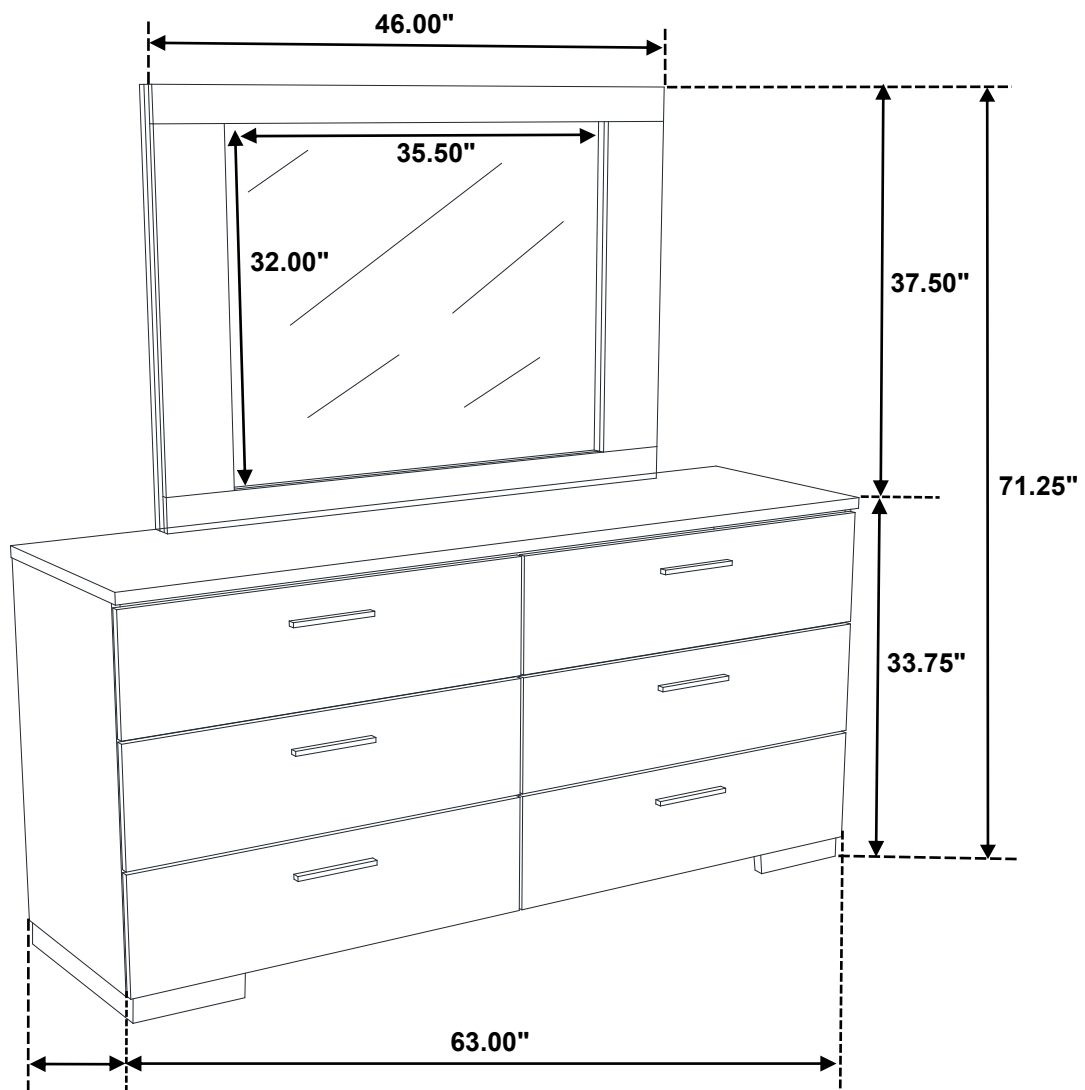
STEP 4

COMPLETE



PLEASE REMOVE THE PROTECTIVE FILM BEFORE USE





Note : Dimension tolerance $\pm 5\%$