

ASSEMBLING INSTRUCTION

A x1PC



B x2PC



C x2PC



D x8PC



M6x16

E x4PC



M8x35

F x4PC



M8

G x8PC



M6

H x4PC



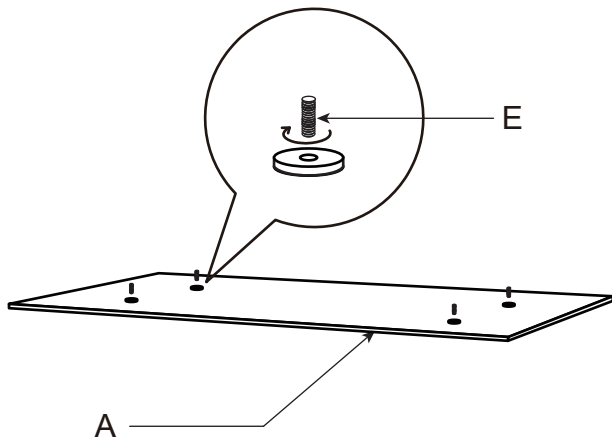
5#

I x1PC

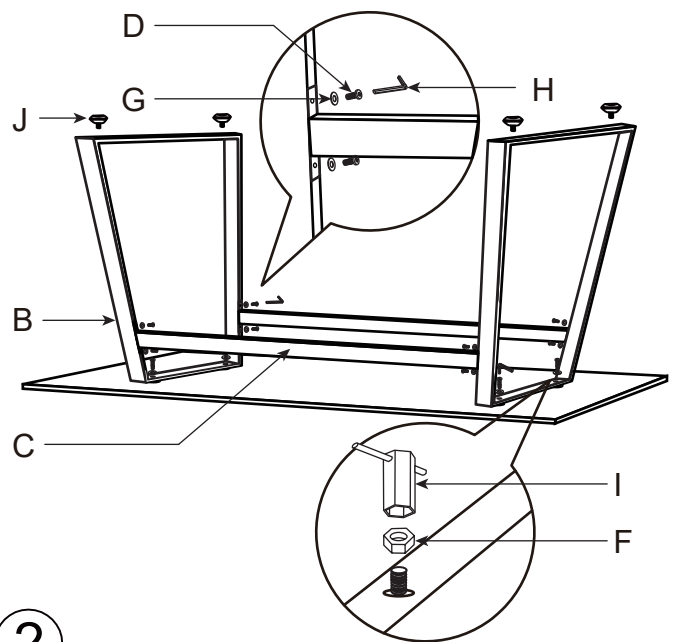


M8

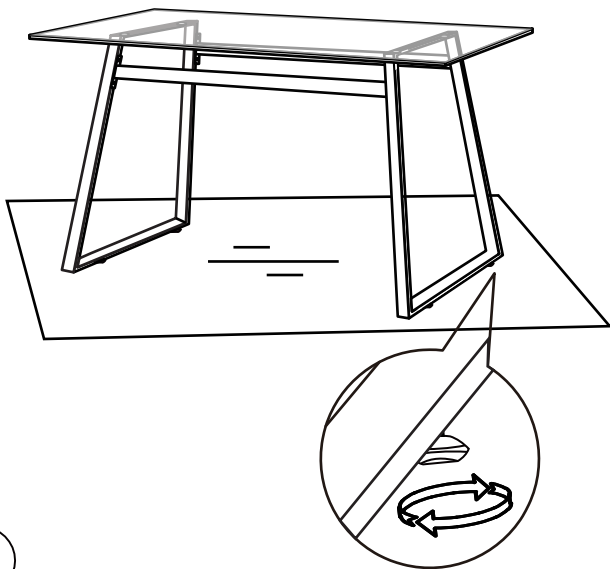
J x1PC



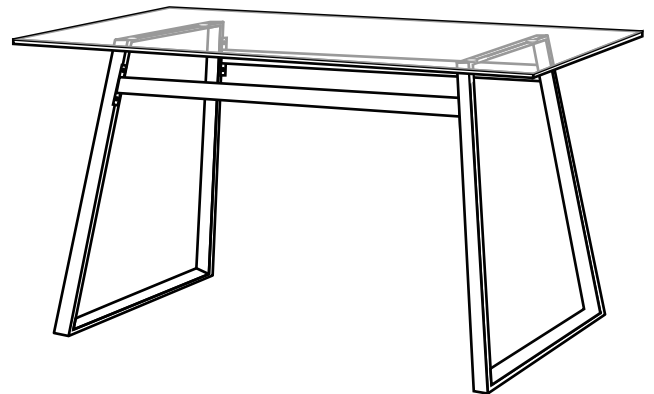
1



2



3



4