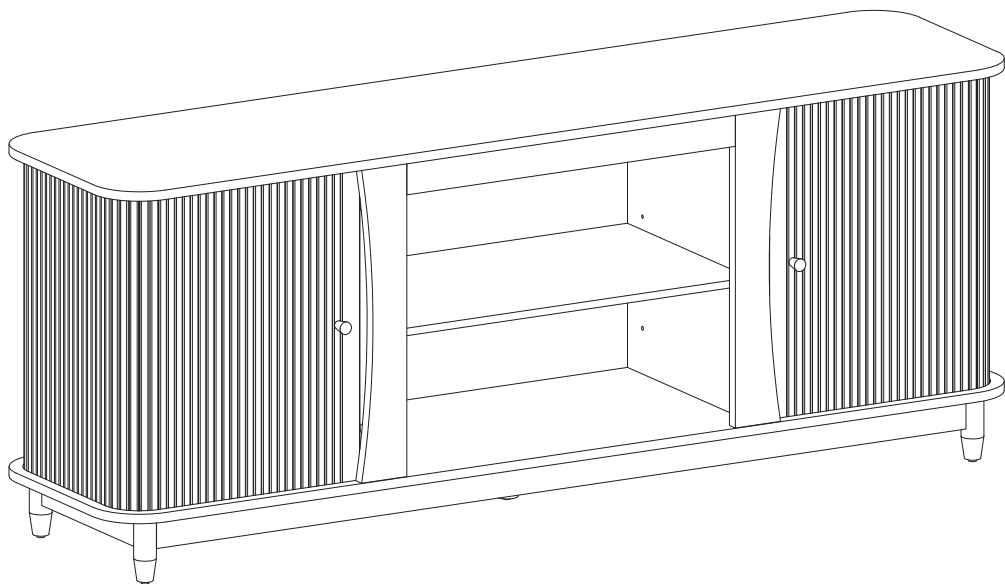


Assembly Instructions

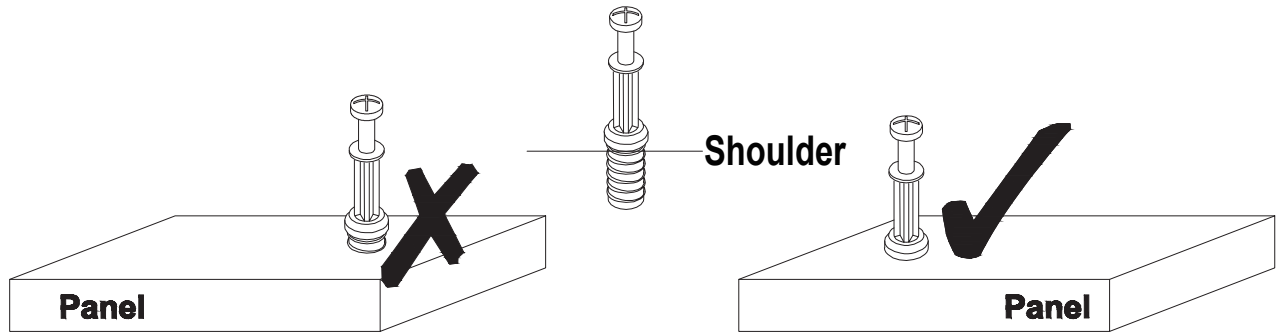


Before Assembly

Tips Before Your Start:

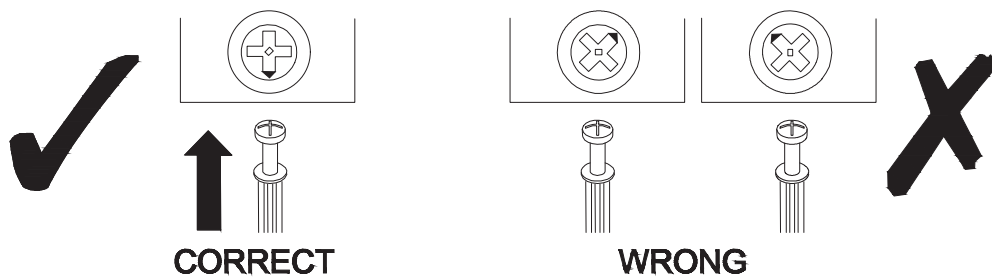
- Remove all wrapping material, including staples & packing straps before you start to assemble.
- DO NOT tighten all screws and bolts until the assembly is completely assembled.
- Keep all hardware parts out of reach of children.

QUICKFIT



Tighten quickfit until shoulder is flush with panel. Do not overtighten or undertighten.

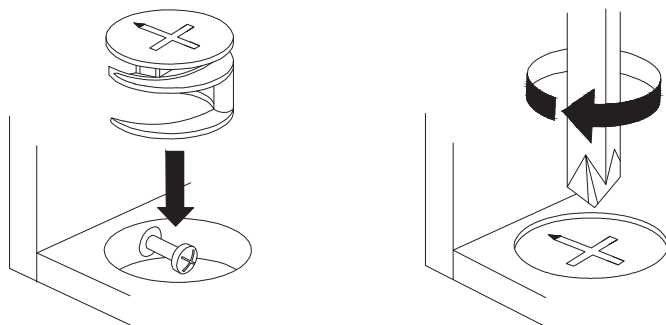
CAM LOCK



When fitting a cam lock, ensure the starting position is correct before inserting the connecting QUI CKFIT

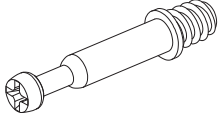


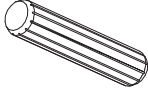
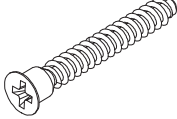
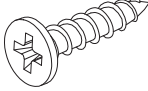
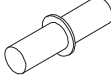
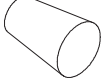



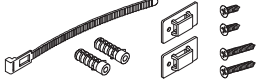
Quickfit head should be in the centre of the cam lock when the two panels are joined.

Cam lock should be inserted before quickfit.

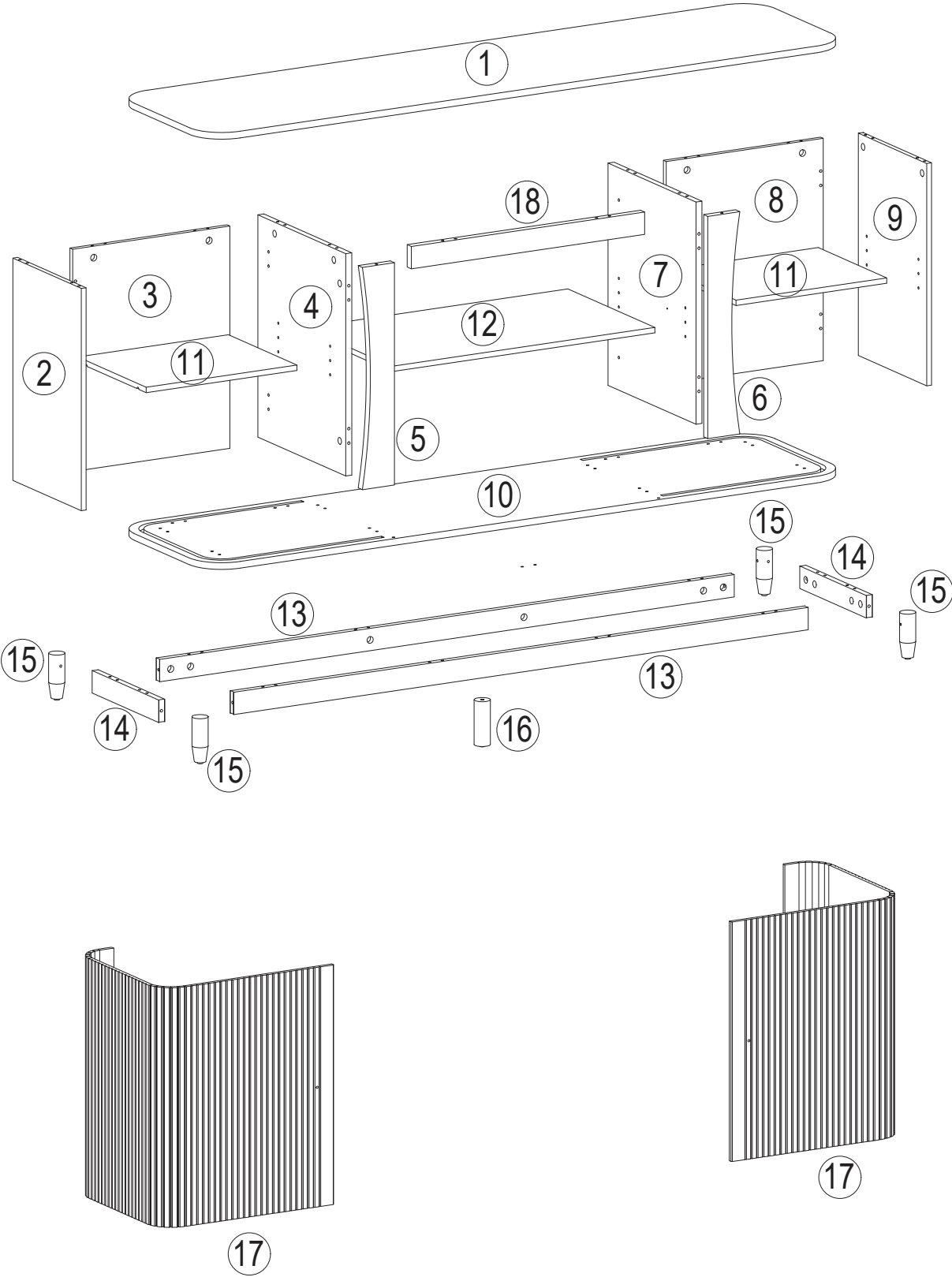


Turn cam lock clockwise to tighten.

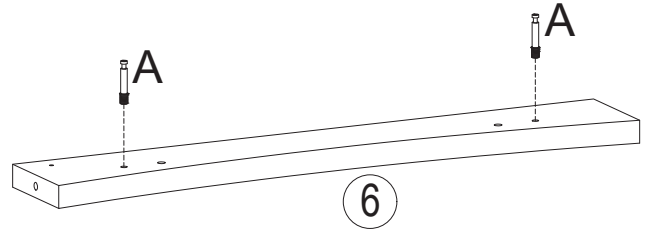
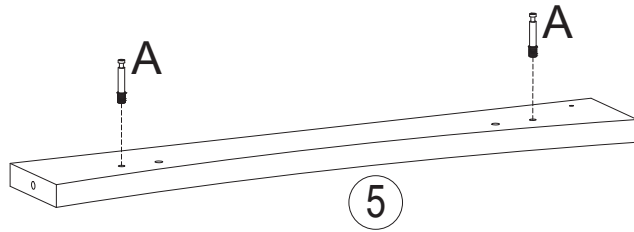
Part List

| | | | |
|---|--|---|--|
| <p>No. A Quantity: 38+2 PCS Cam Bolt ø6x33.5mm</p>  | <p>No. B Quantity: 38+2 PCS Cam ø15x9.5mm</p>  | <p>No. C Quantity: 38+2 PCS Sticker ø20mm</p>  | <p>No. D Quantity: 54+2 PCS Dowel ø6x30mm</p>  |
| <p>No. E Quantity: 20+2 PCS Screw ø5x48mm</p>  | <p>No. F Quantity: 4+1 PCS Screw ø3.5x12mm</p>  | <p>No. G Quantity: 12+1 PCS Screw ø5x16mm</p>  | <p>No. H Quantity: 2 PCS Handle ø20x23mm</p>  |
| <p>No. I Quantity: 2 PCS Screw M4x16mm</p>  | <p>No. J Quantity: 2 PCS Iron Sheet 45x12x1mm</p>  | <p>No. K Quantity: 1 PCS Bolt M6x40mm</p>  | <p>No. L Quantity: 1 Set</p>  |

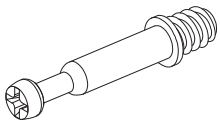
Product structure



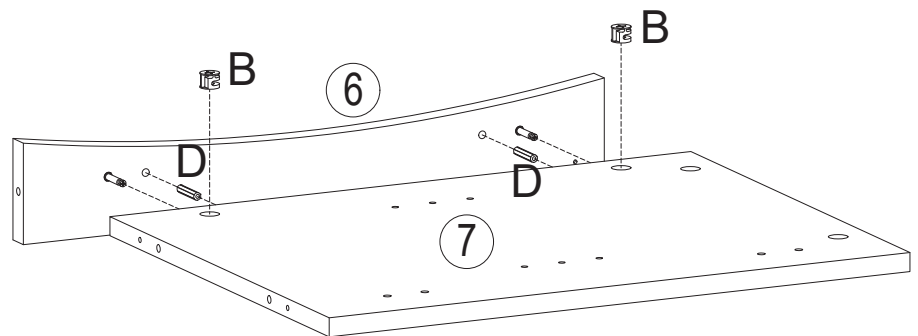
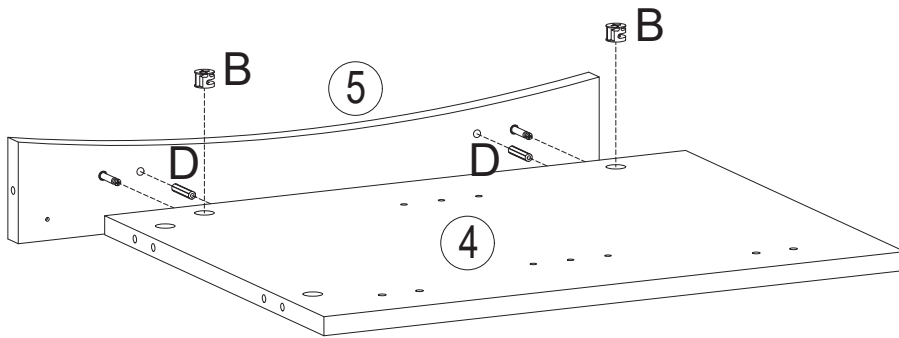
STET 1



No. A
Quantity: 4 PCS
Cam Bolt
ø6x33.5mm



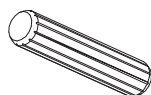
STET 2



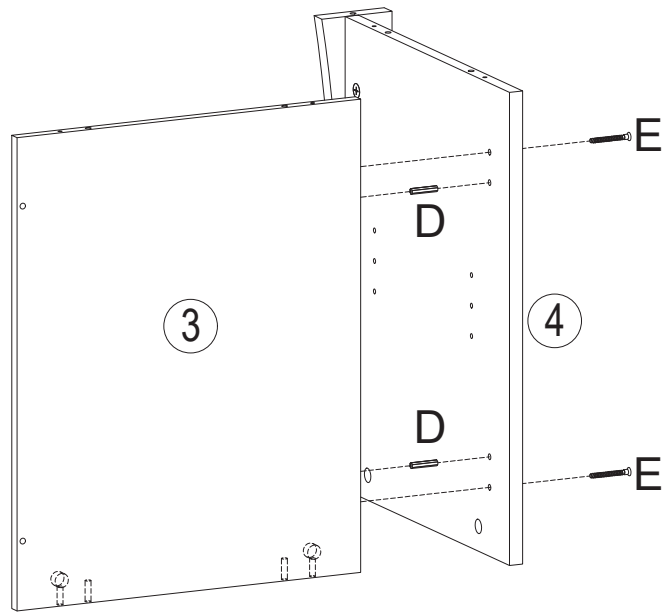
No. B
Quantity: 4 PCS
Cam
ø15x9.5mm



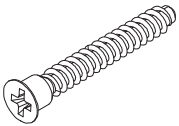
No. D
Quantity: 4 PCS
Dowel
ø6x30mm



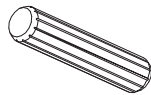
STET 3



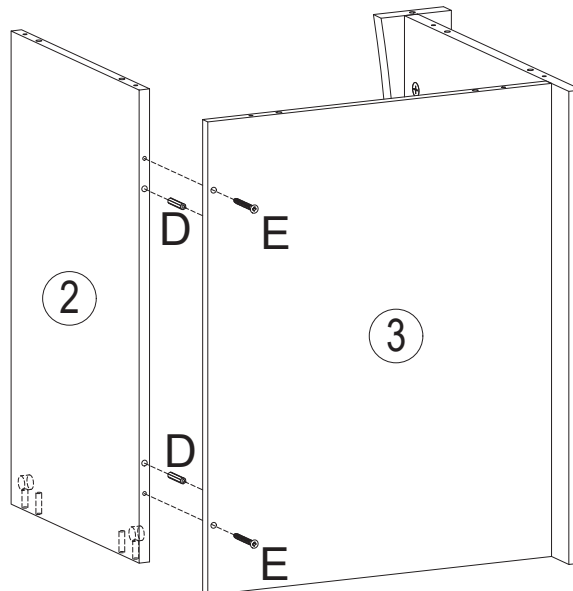
No. E
Quantity: 2 PCS
Screw
ø5x48mm



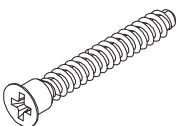
No. D
Quantity: 2 PCS
Dowel
ø6x30mm



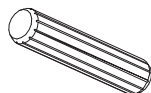
STET 4



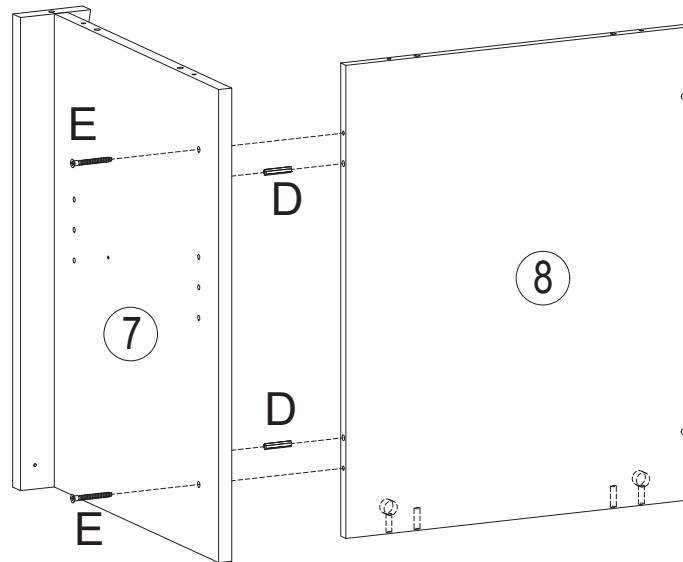
No. E
Quantity: 2 PCS
Screw
ø5x48mm



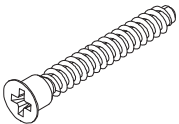
No. D
Quantity: 2 PCS
Dowel
ø6x30mm



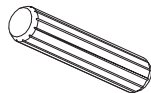
STET 5



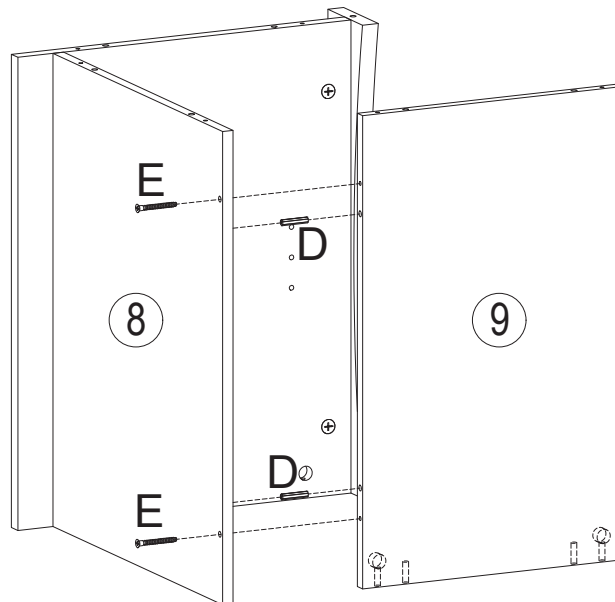
No. E
Quantity: 2 PCS
Screw
ø5x48mm



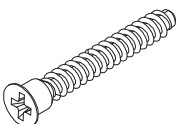
No. D
Quantity: 2 PCS
Dowel
ø6x30mm



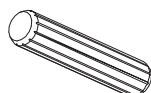
STET 6



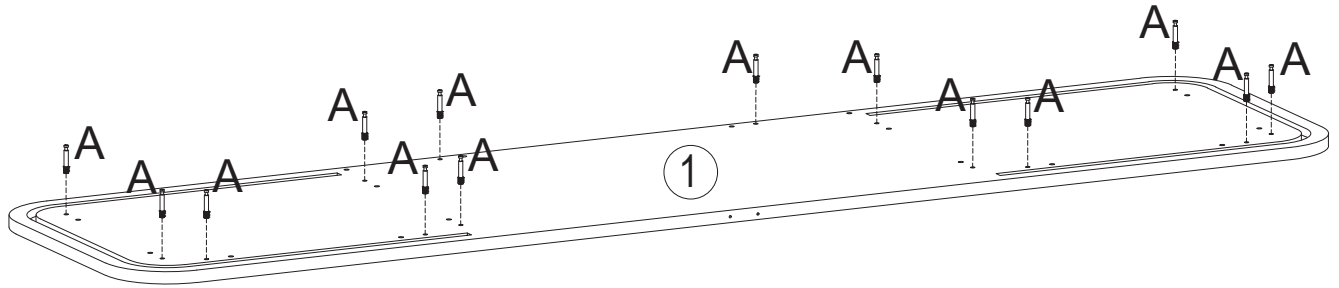
No. E
Quantity: 2 PCS
Screw
ø5x48mm



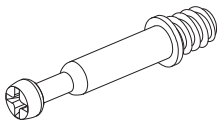
No. D
Quantity: 2 PCS
Dowel
ø6x30mm



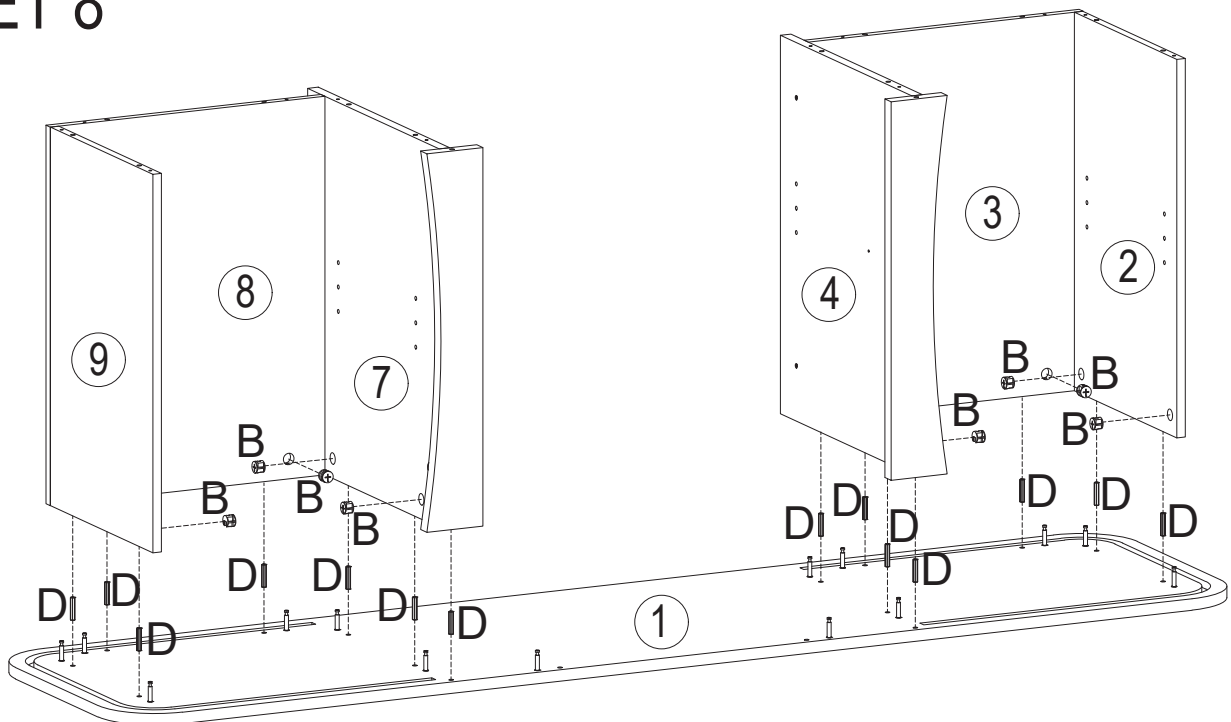
STET 7



No. A
Quantity: 14 PCS
Cam Bolt
ø6x33.5mm



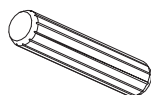
STET 8



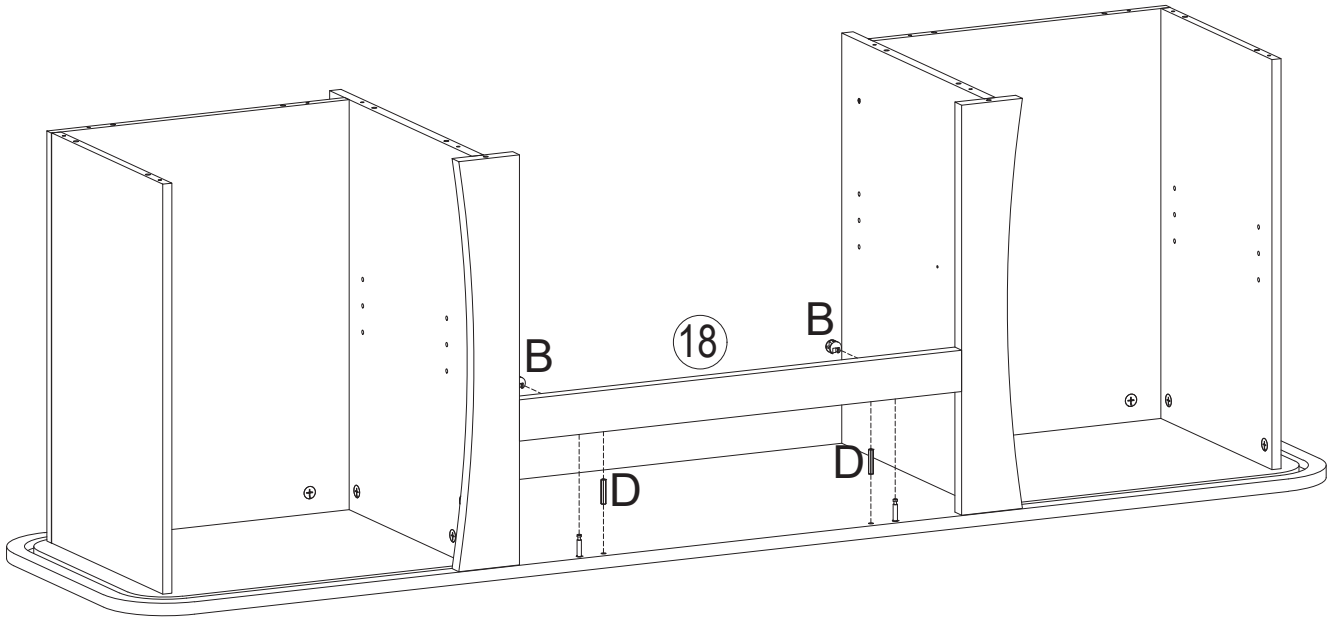
No. B
Quantity: 12 PCS
Cam
ø15x9.5mm



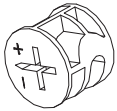
No. D
Quantity: 14 PCS
Dowel
ø6x30mm



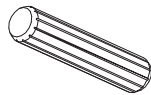
STET 9



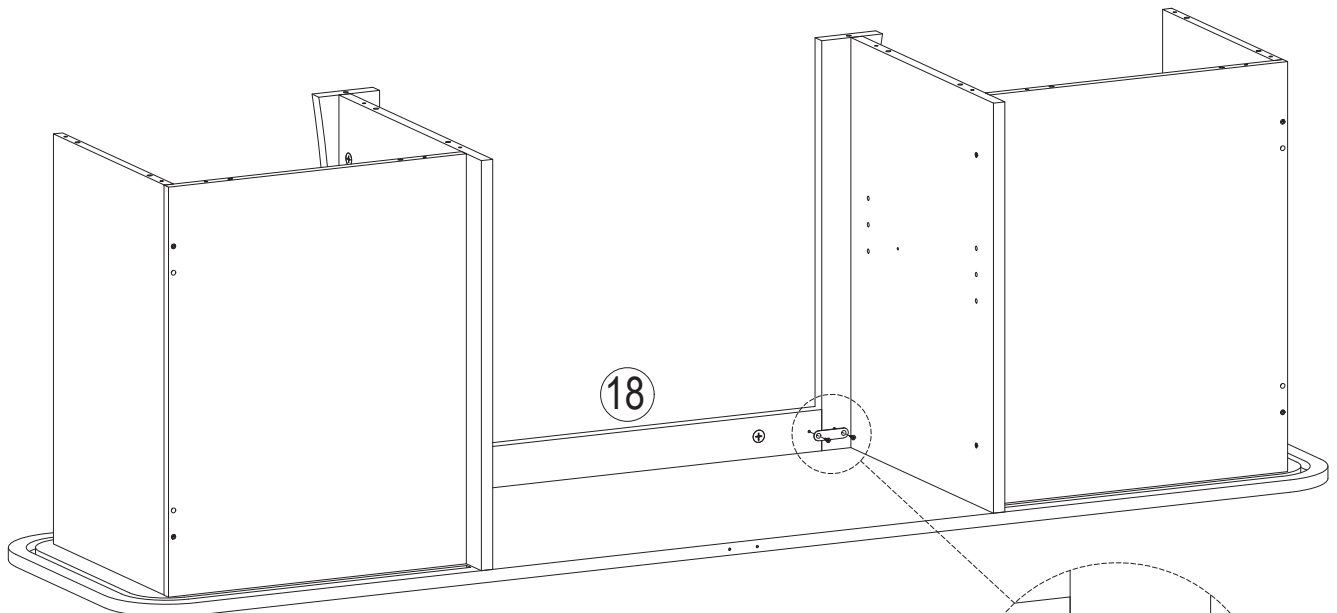
No. B
Quantity: 2 PCS
Cam
ø15x9.5mm



No. D
Quantity: 2 PCS
Dowel
ø6x30mm



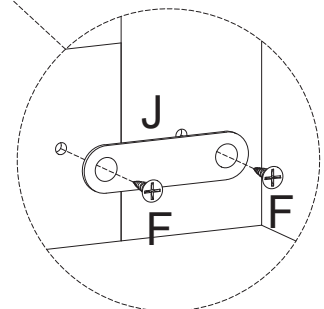
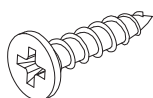
STET 10



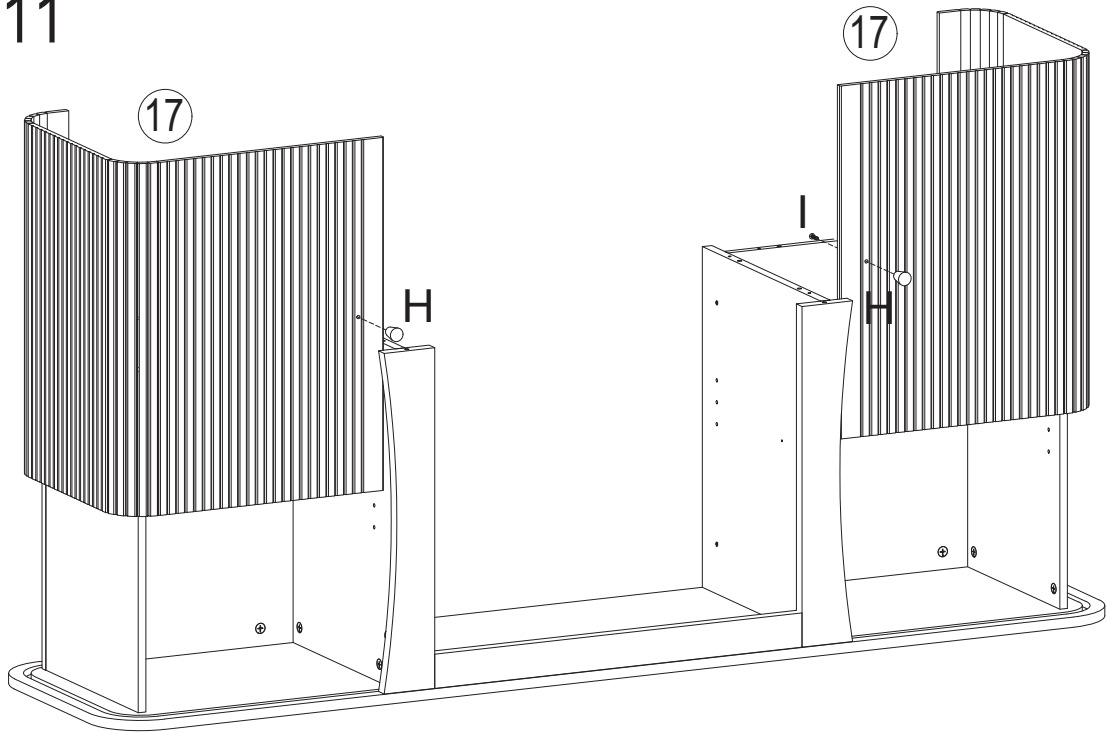
No. J
Quantity: 2 PCS
Iron Sheet
45x12x1mm



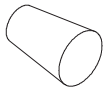
No. F
Quantity: 4 PCS
Screw
ø3.5x12mm



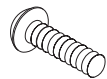
STET 11



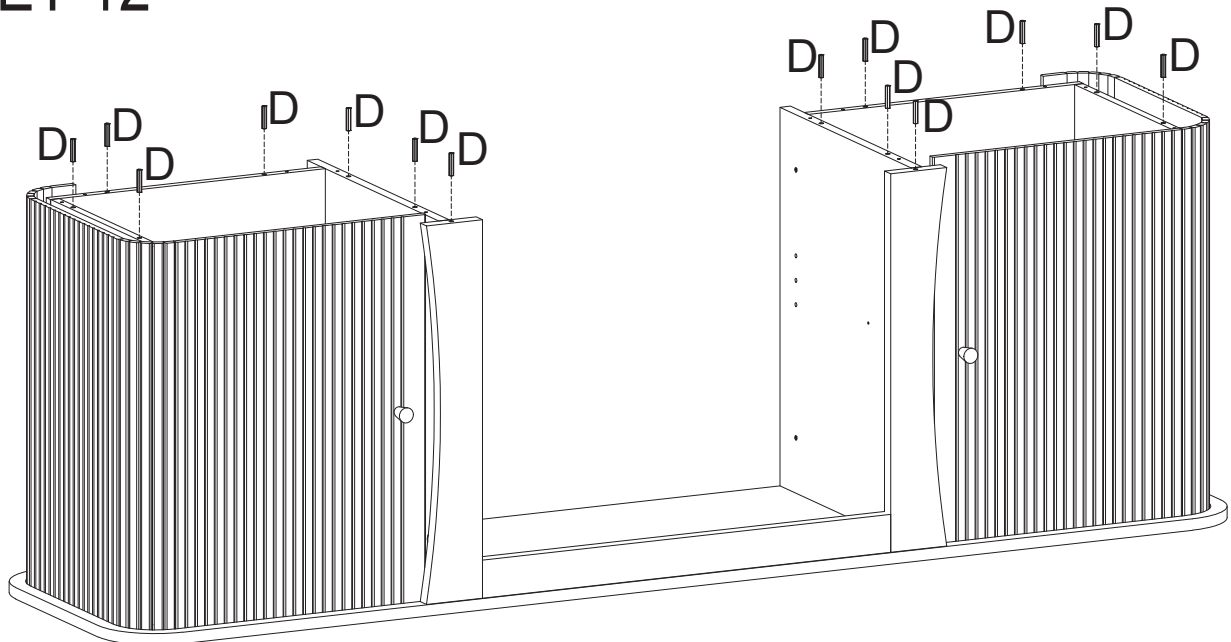
No. H
Quantity: 2 PCS
Handle
ø20x23mm



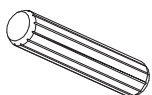
No. I
Quantity: 2 PCS
Screw
M4x16mm



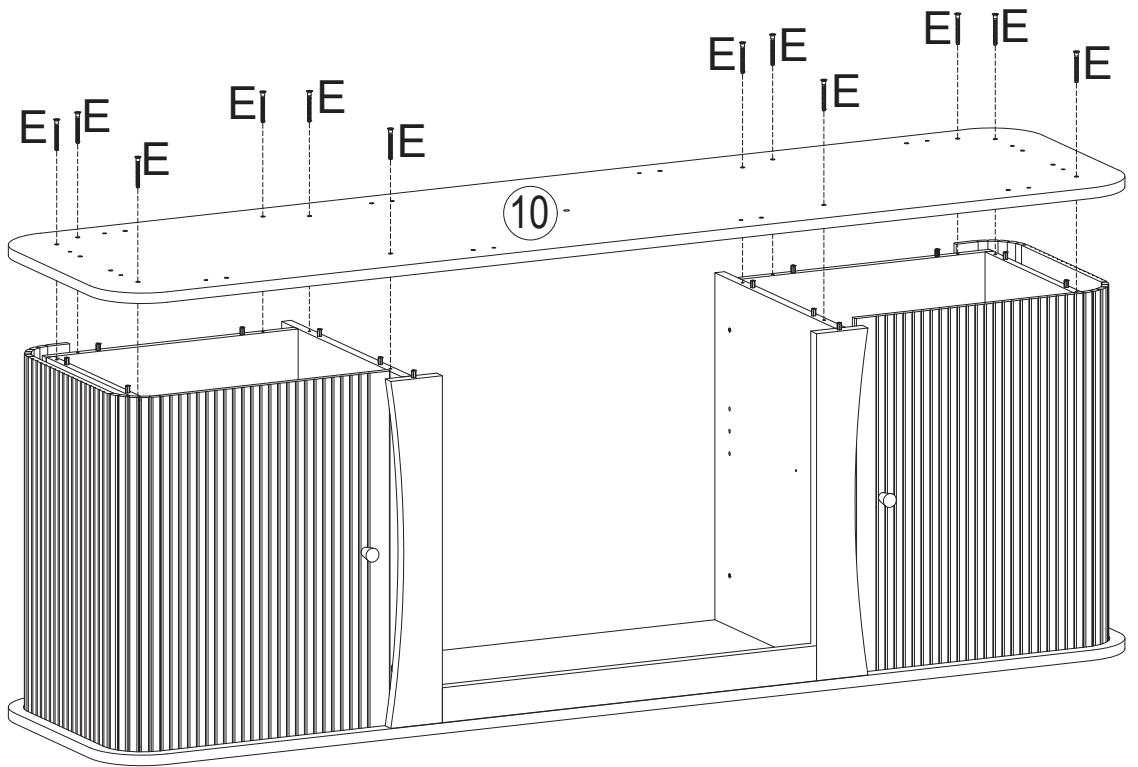
STET 12



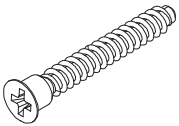
No. D
Quantity: 14 PCS
Dowel
ø6x30mm



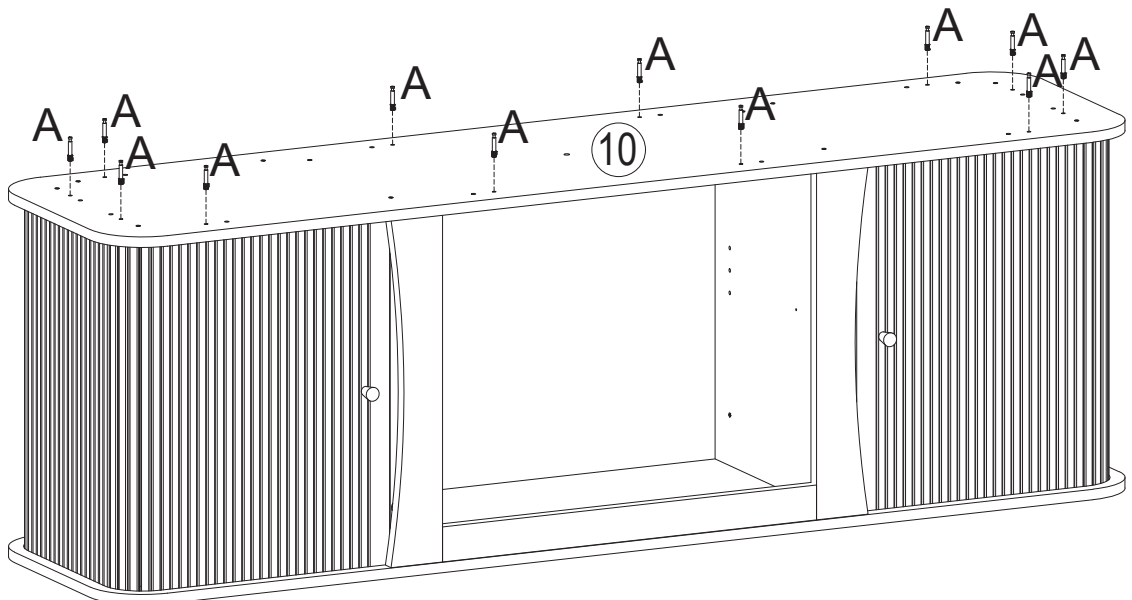
STET 13



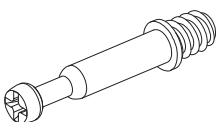
No. E
Quantity: 12 PCS
Screw
ø5x48mm



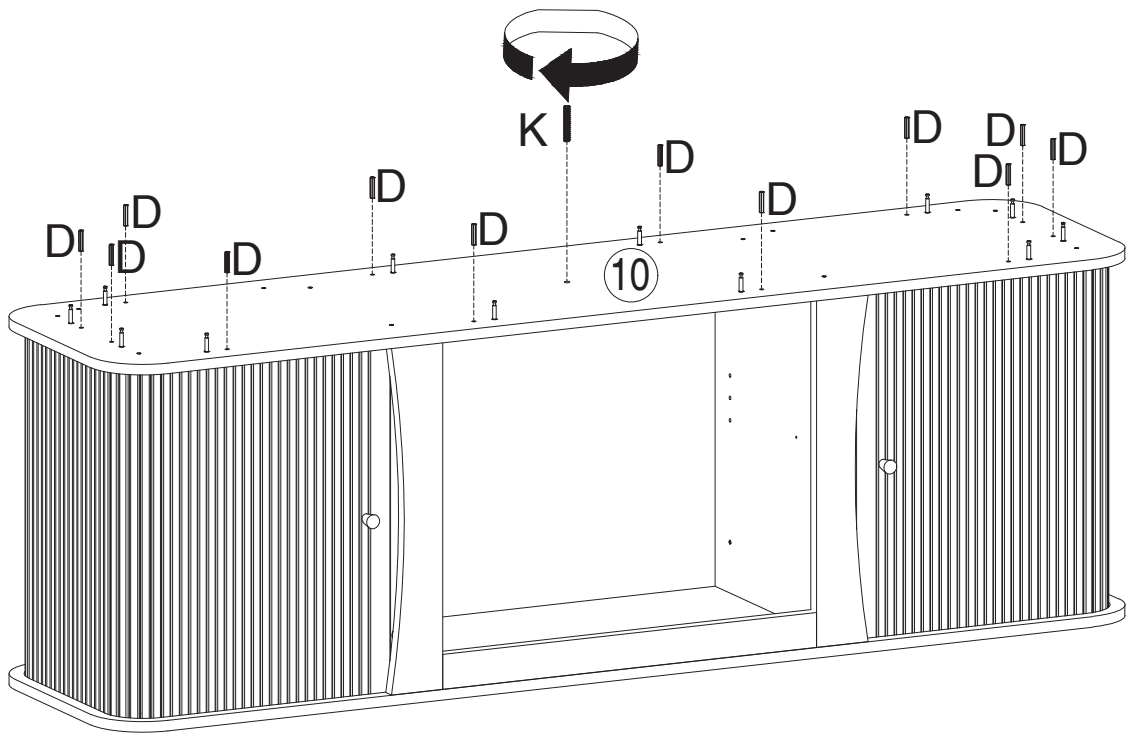
STET 14



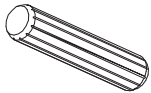
No. A
Quantity: 12 PCS
Cam Bolt
ø6x33.5mm



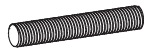
STET 15



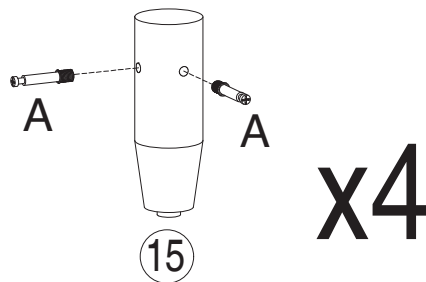
No. D
Quantity: 12 PCS
Dowel
ø6x30mm



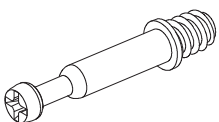
No. K
Quantity: 1 PCS
Bolt
M6x40mm



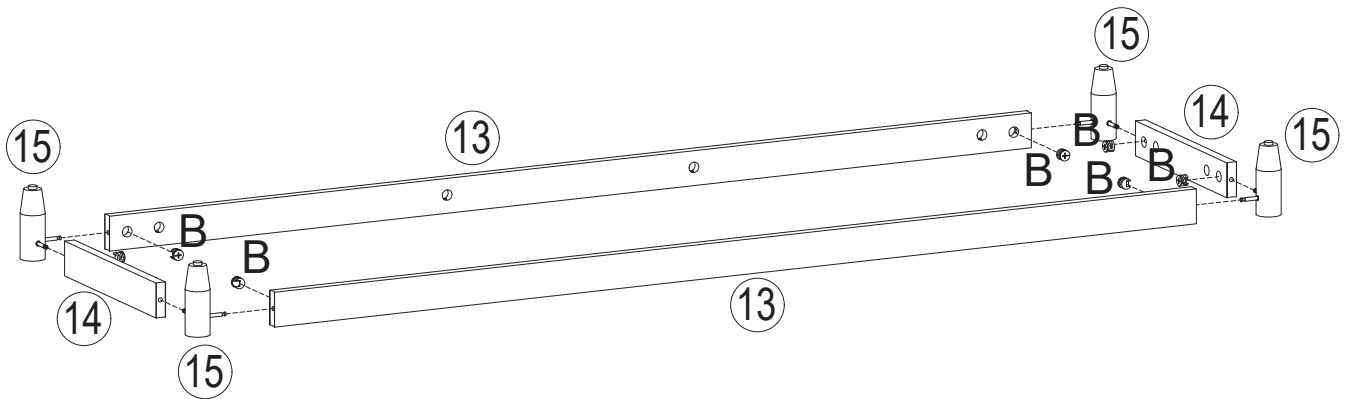
STET 16



No. A
Quantity: 8 PCS
Cam Bolt
ø6x33.5mm



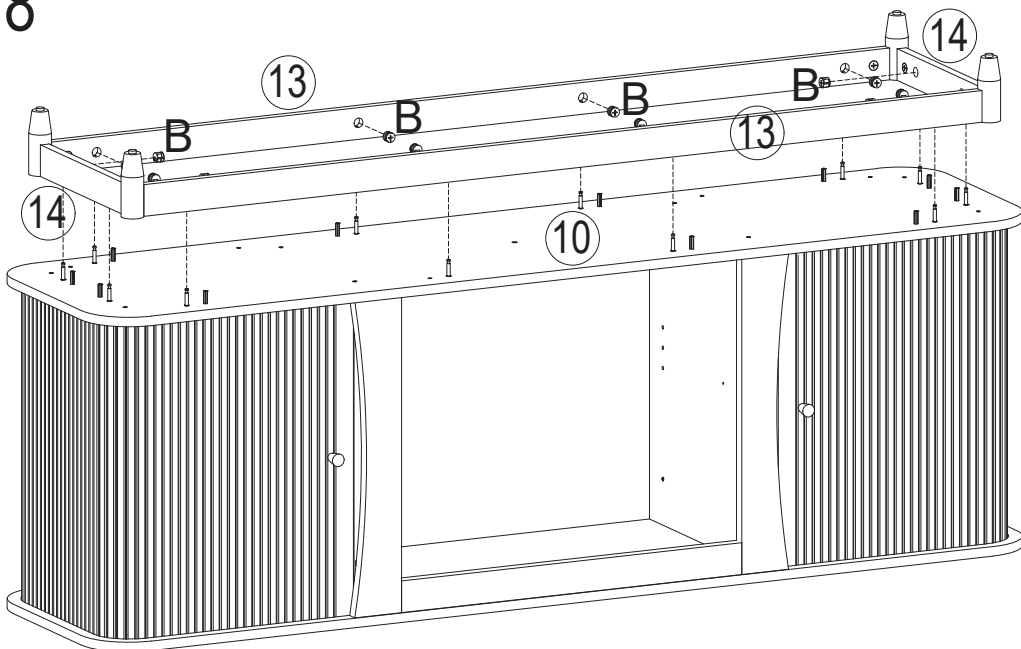
STET 17



No. B
Quantity: 8 PCS
Cam
ø15x9.5mm



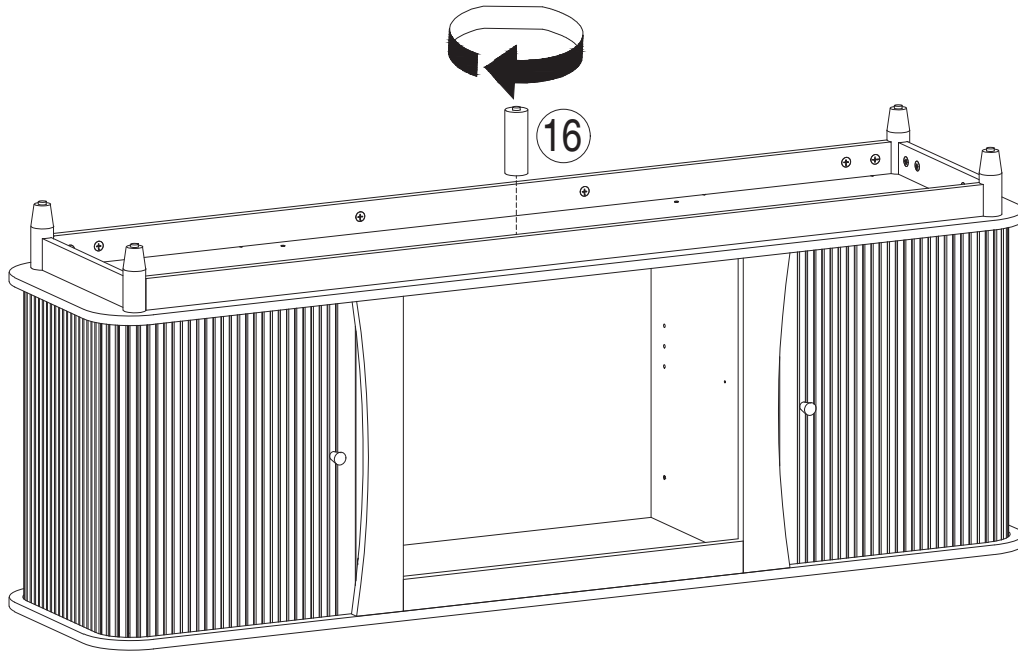
STET 18



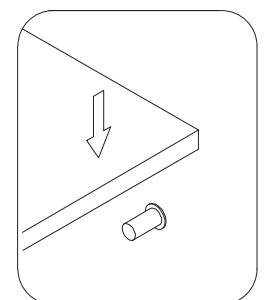
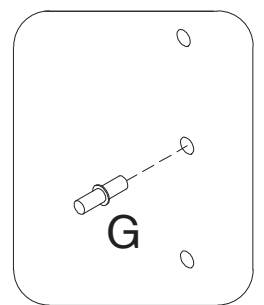
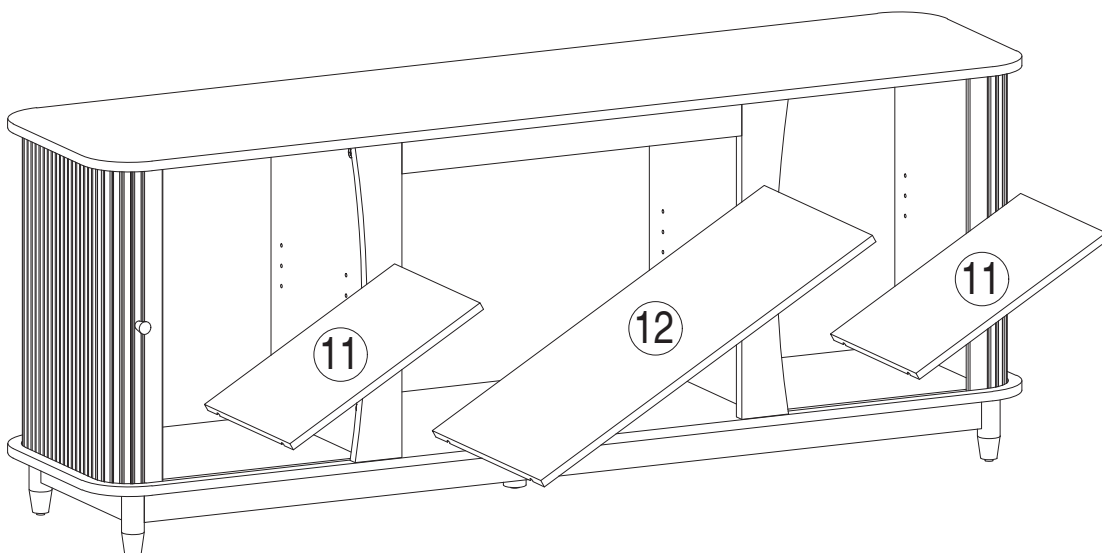
No. B
Quantity: 12 PCS
Cam
ø15x9.5mm



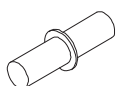
STET 19



STET 20

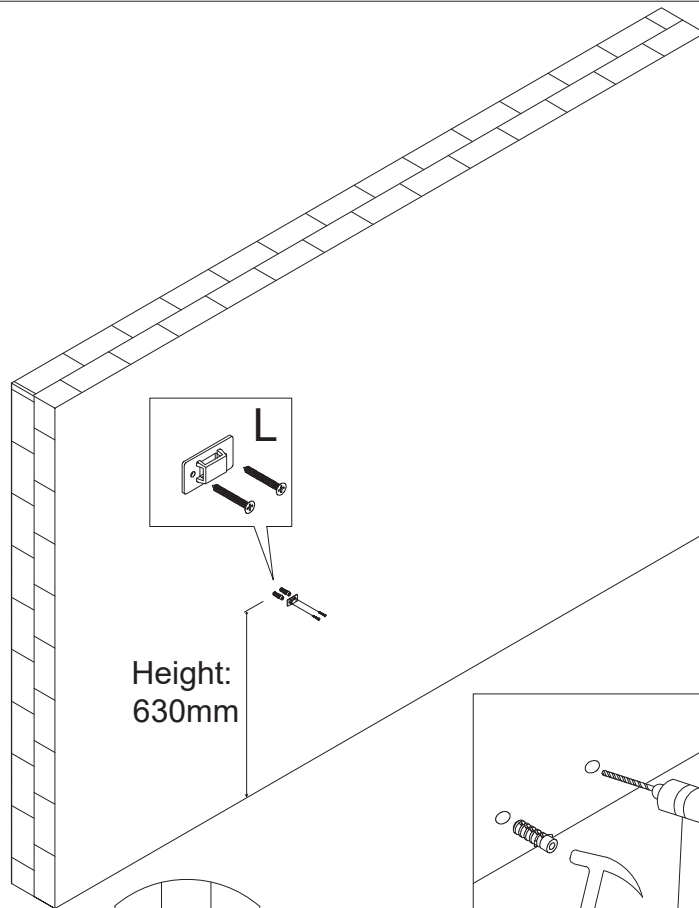


No. G
Quantity: 12 PCS
Screw
ø5x16mm

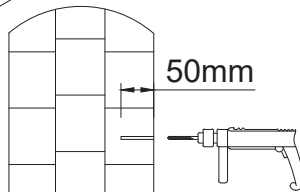
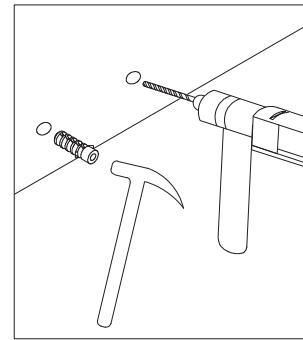


If you have purchased the stove core, the #12 plate does not require assembly. For assembly instructions, please refer to the stove core manual.

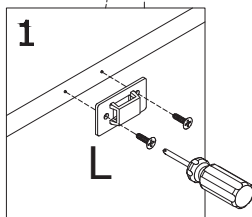
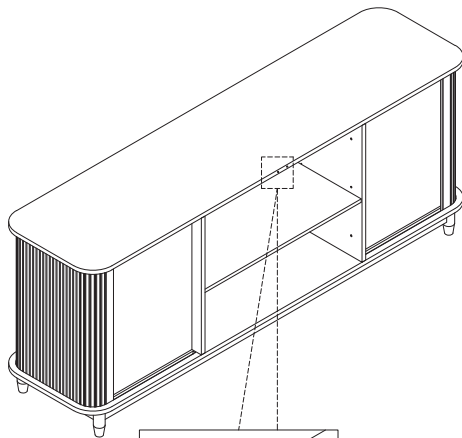
STET 20



Height:
630mm

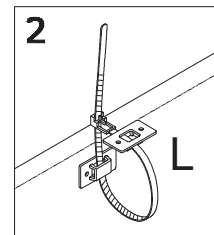


50mm



1

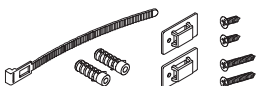
L



2

L

No. L
Quantity: 1 Set



Note:
Please lift up the furniture by two
People when moving is needed.
Dragging may cause the legs failure.

