

AFTERSALE SERVICE

Dear customer,

Thank you so much for purchasing the product from us, we really appreciate your support.

We are aimed to provide the best shopping experience to our customers. We also want to build a mutually beneficial relationship with our customers, and step further to make our brand both reliable, responsible and recommendable.

We hope that our products could meet your needs and expectations, please consider us again if you need more products for your home and kitchen.

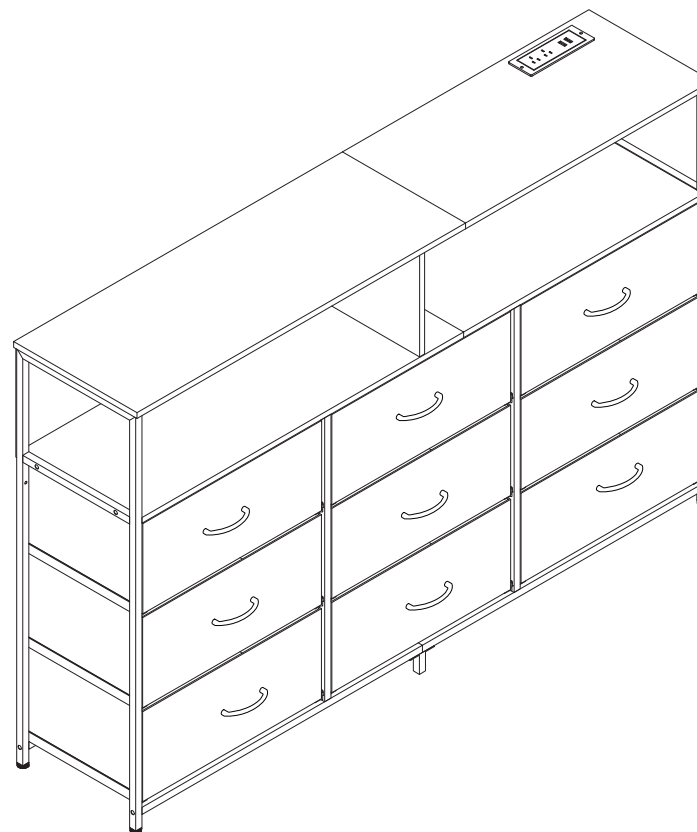
The package would be out of our control during shipping, please contact us through your purchasing channel directly if there is anything wrong with the box or contents. We are always here offering you our service.

We will reply your messages within 24 hours, please kindly wait for the response from our professional service team.

Your comfort and contentment are of utmost importance.

Best Regards,
Customer Care Specialist

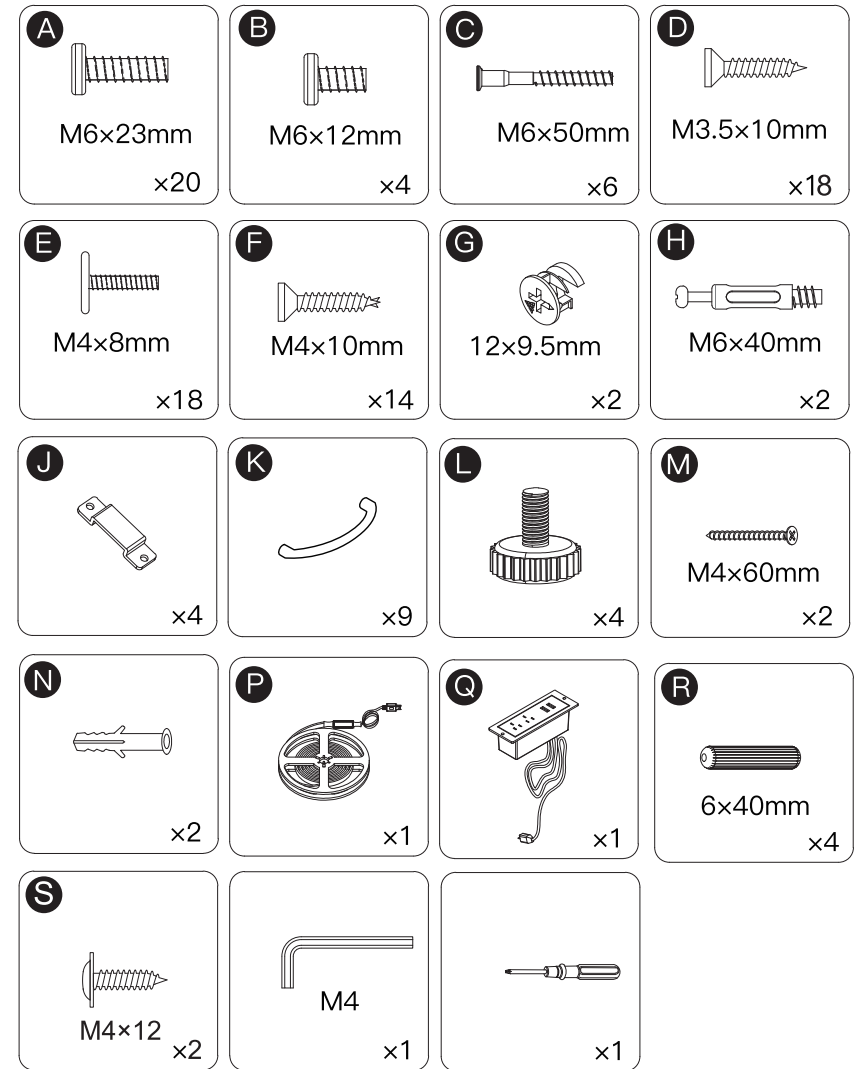
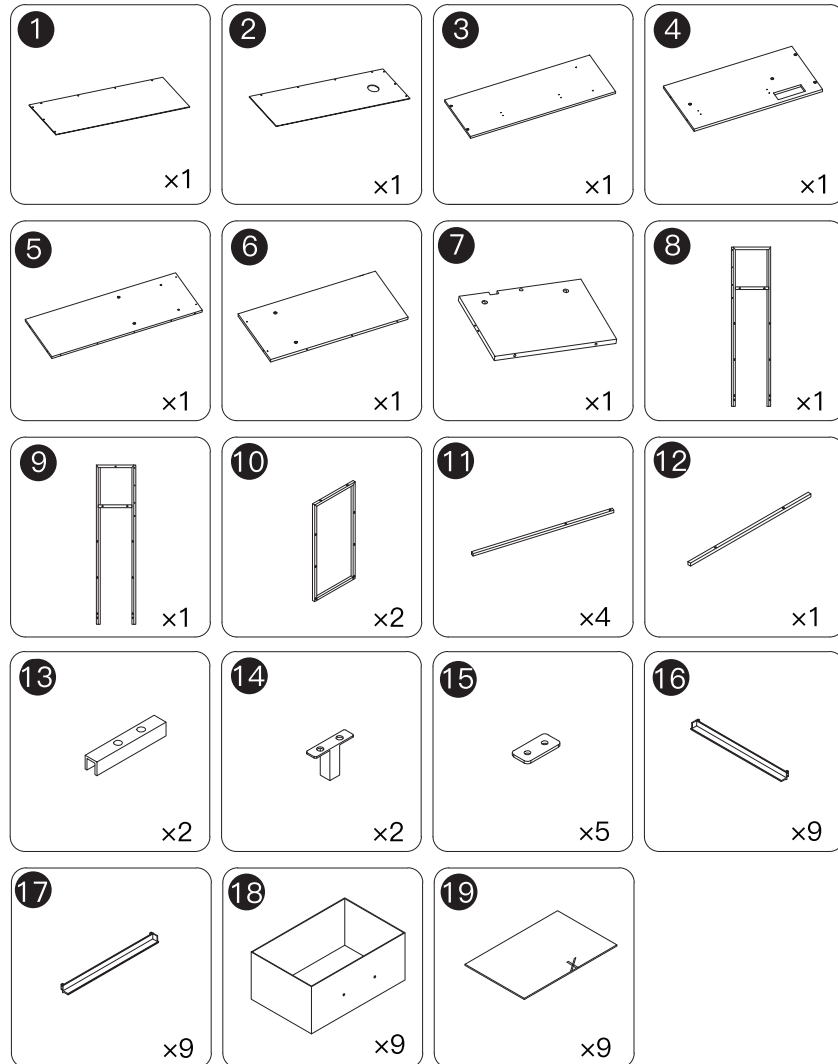
ASSEMBLY INSTRUCTION



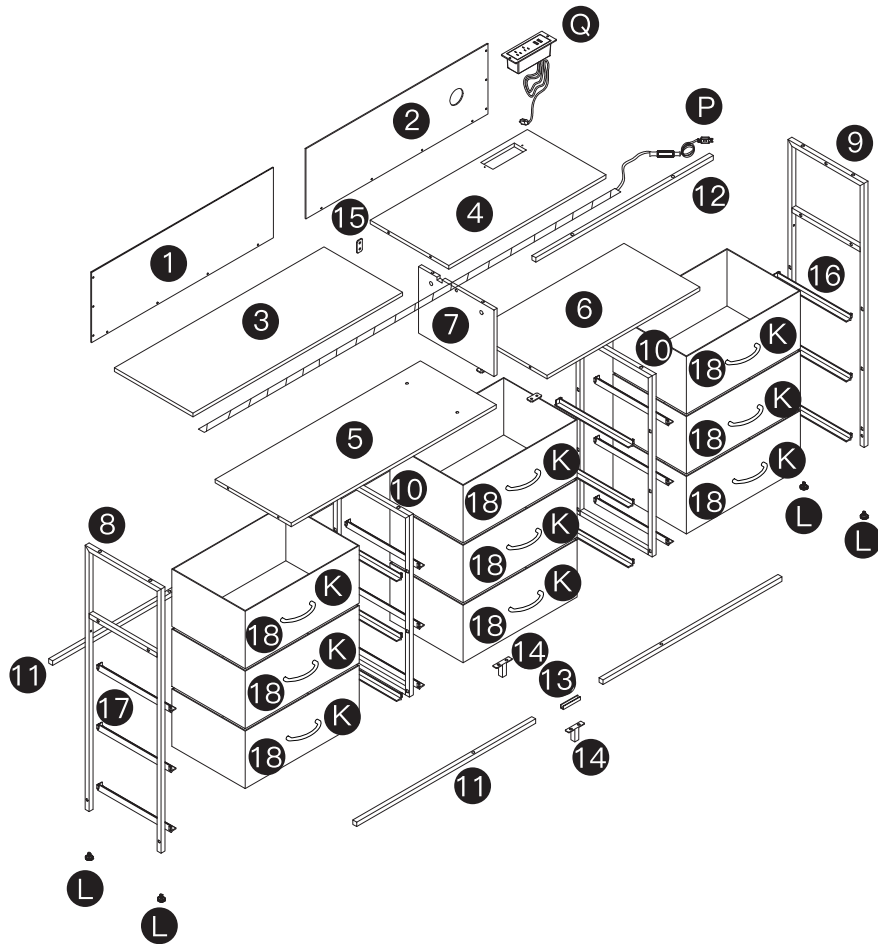
Please check all parts and accessories according to the parts list before assembling, make sure all contents are sufficient and in good condition.

If there is any parts missing or defective, please contact us immediately with purchase platform message to get replacement parts.

PARTS:

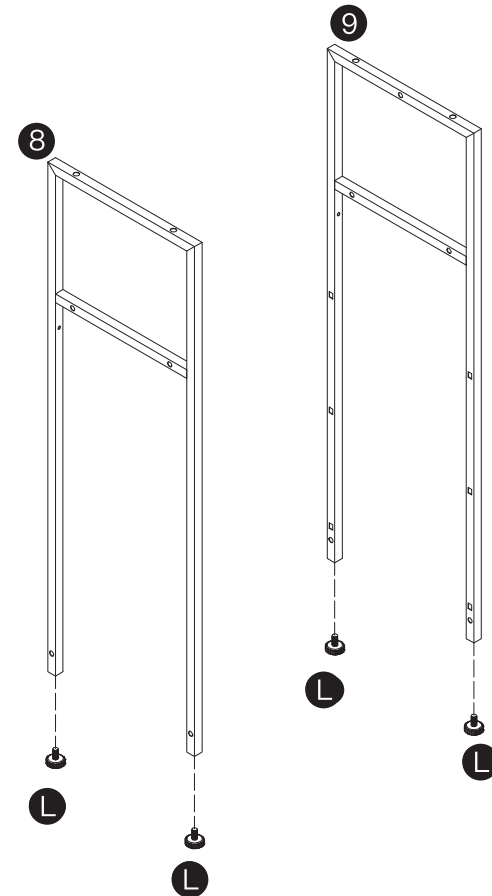
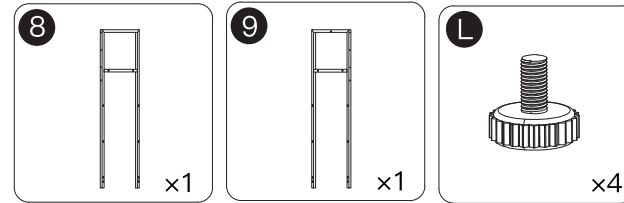


EXPLODED DRAWING:

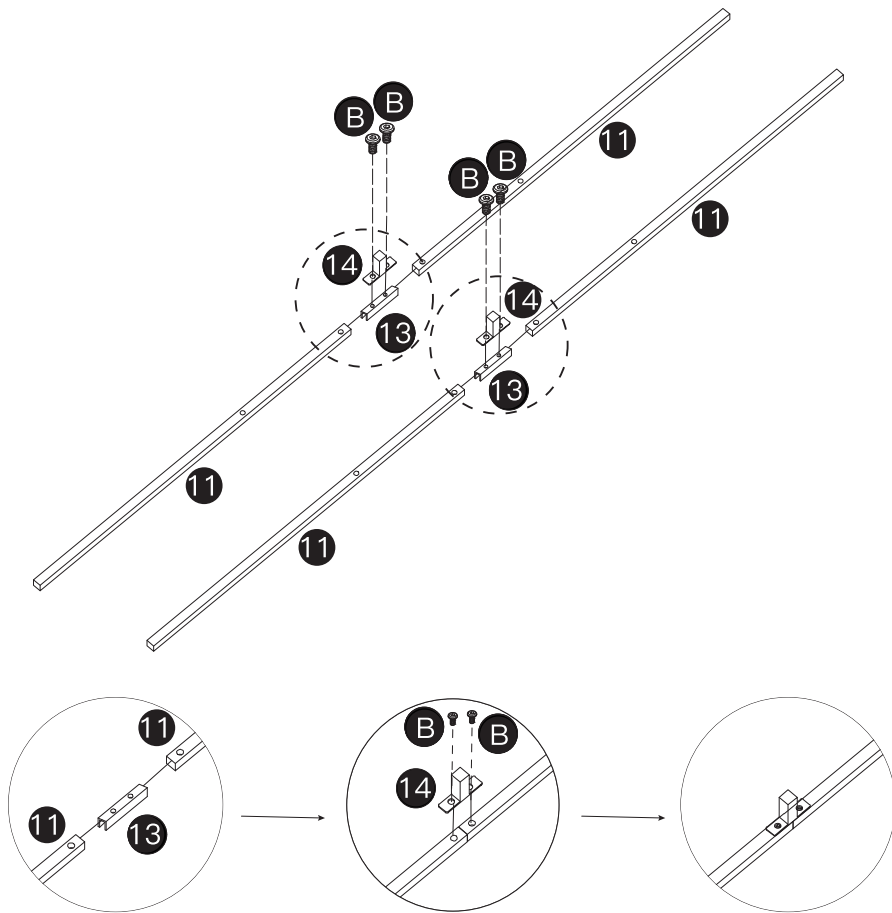
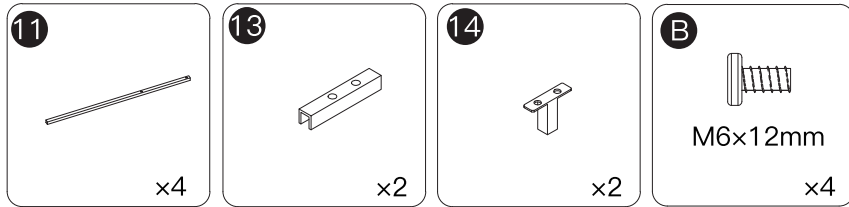


HOW TO INSTALL

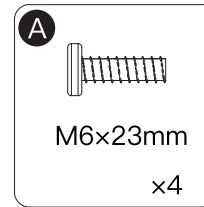
Step 1 Install part **L** into part **8** & **9** respectively.



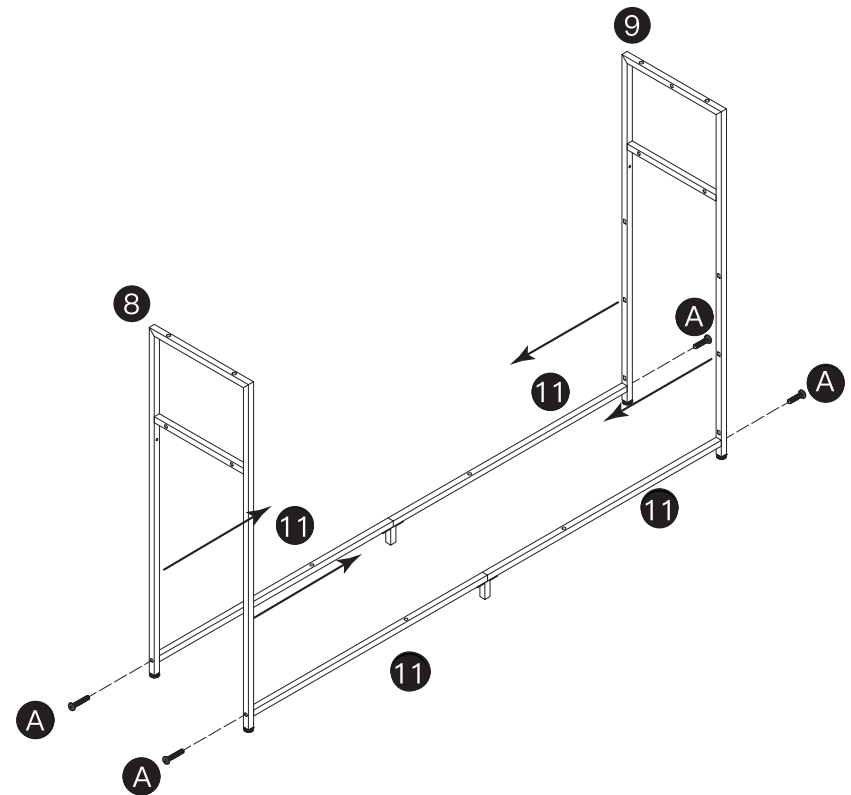
Step 2 Connect part 11 with part 13 by part 14, use part B to screw them.



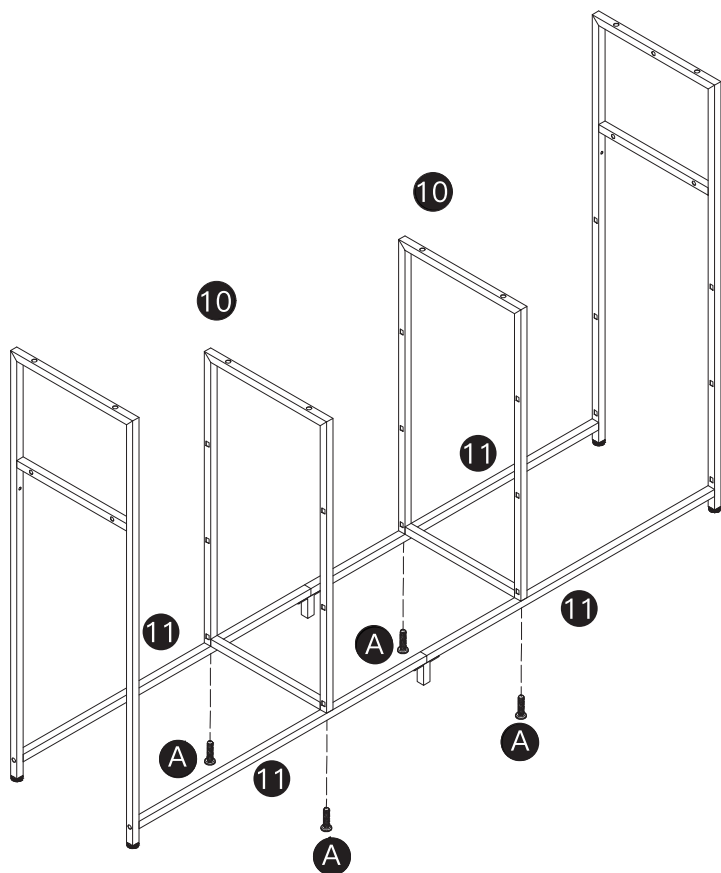
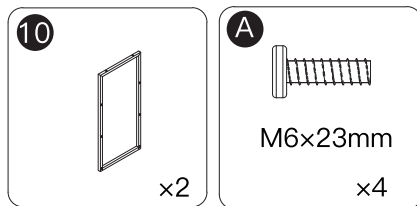
Step 3 Connect part 8 & part 9 with part 11, use part A to screw them.



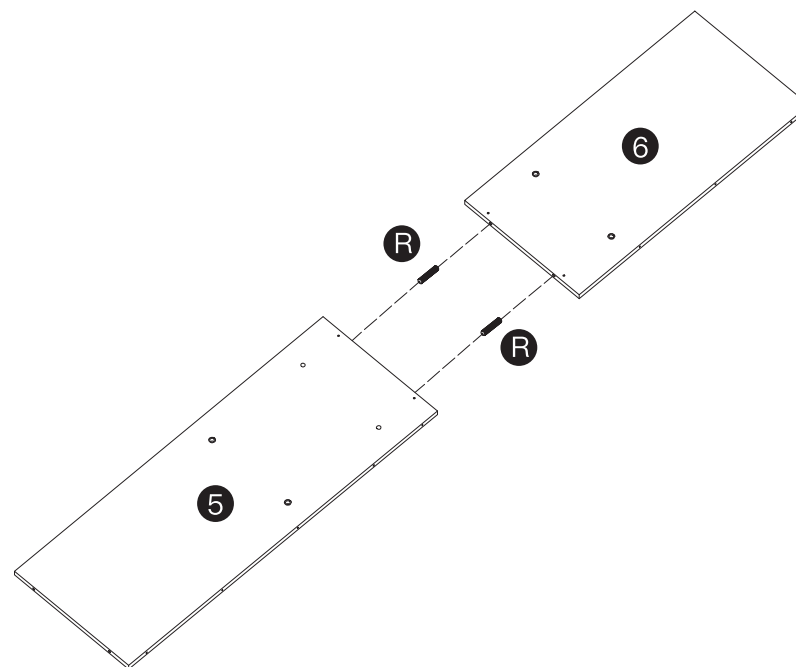
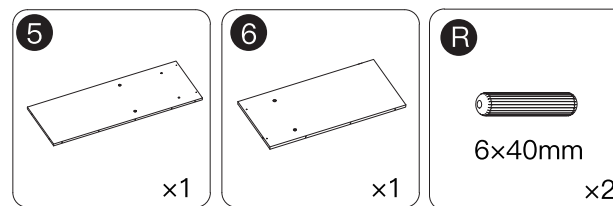
NOTICE:
Make sure the square holes of part 8 & 9 are facing inwards.



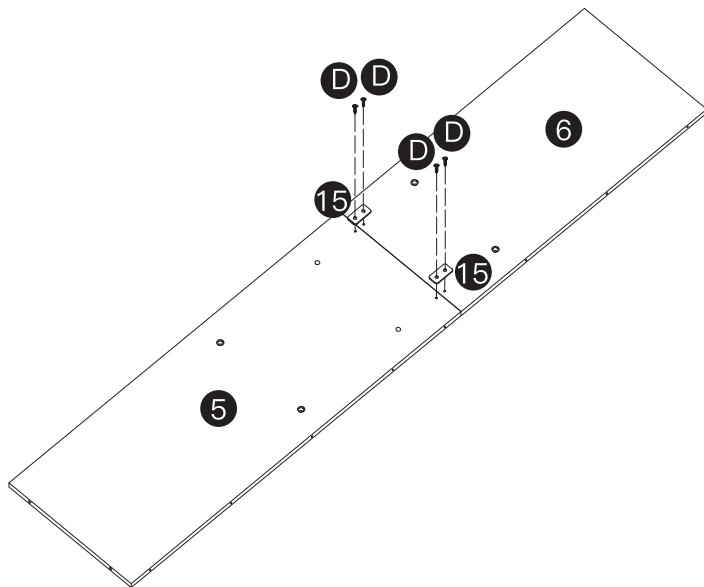
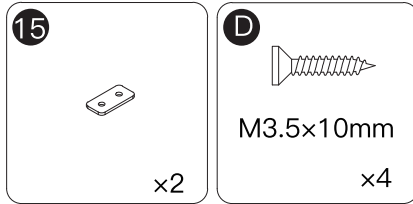
Step 4 Install part 10 on part 11, use part A to screw them.



Step 5 Connect part 5 & part 6 with part R.

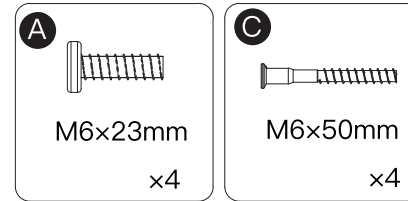


Step 6 Connect part 5 & part 6 with part 15, use part D to screw them.



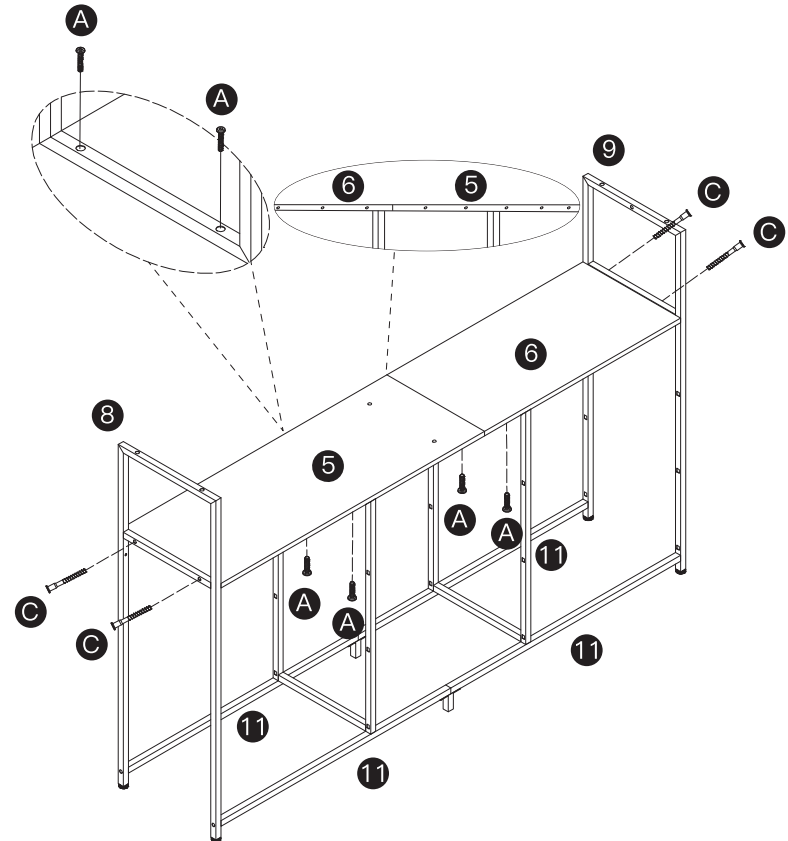
Step 7

Connect part 8 & part 9 with part 5 & part 6, use part C to screw them.
Install part 5 & part 6 on part 11, use part A to screw them.

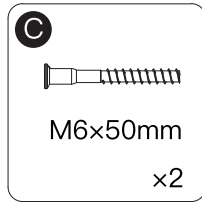
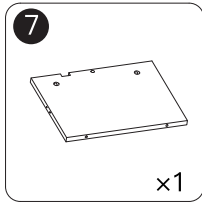


NOTICE:

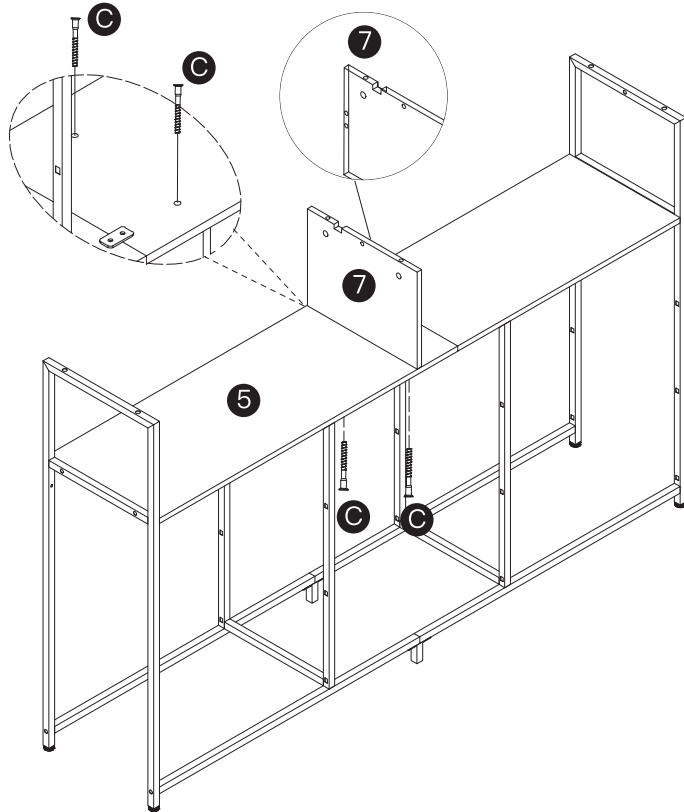
Make sure holes of part 5 & part 6 are facing backwards.



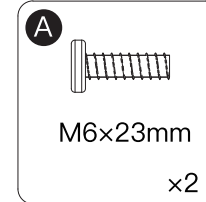
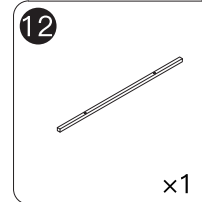
Step 8 Install part 7 on part 5, use part C to screw them.



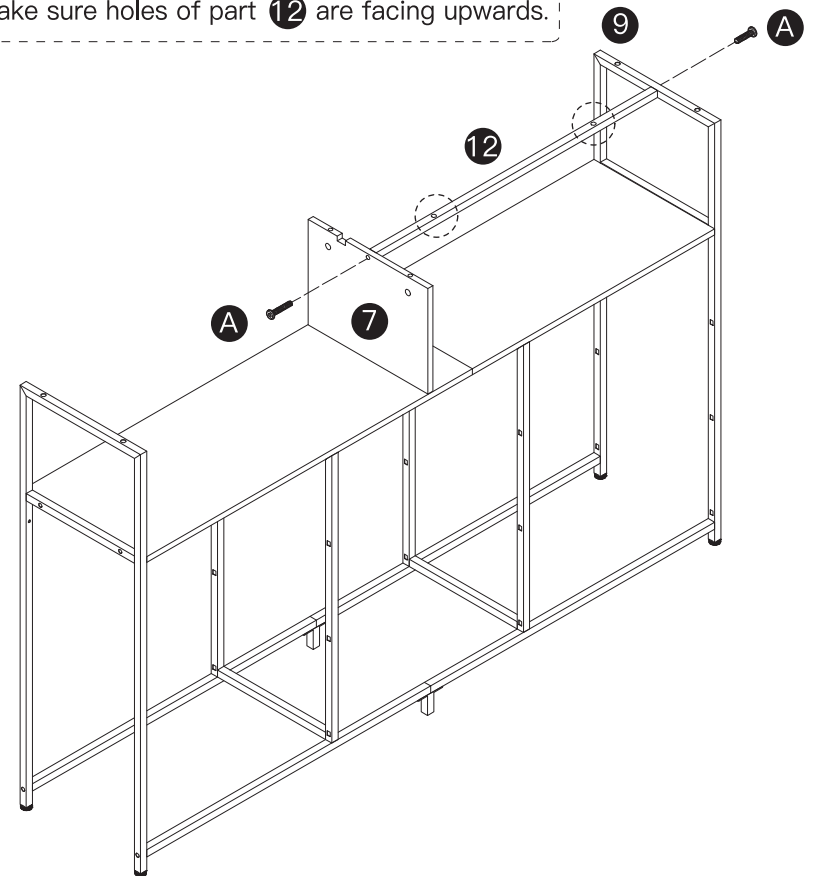
NOTICE:
Make sure holes of part 7 are facing backwards.



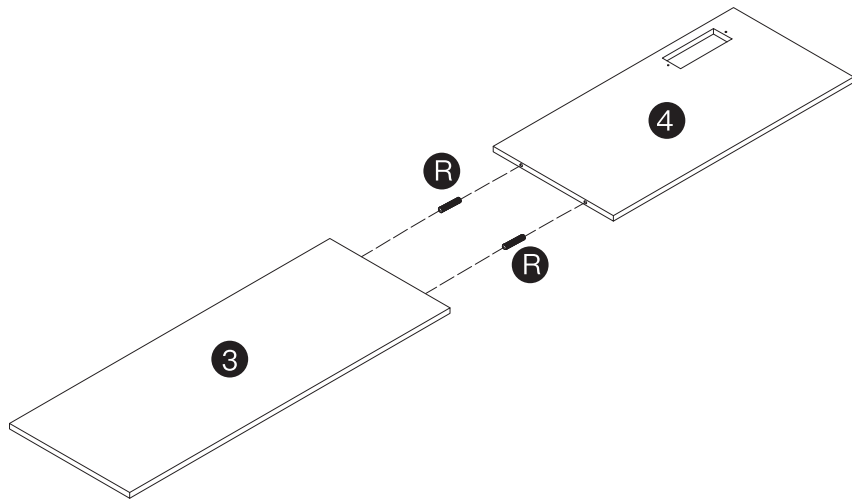
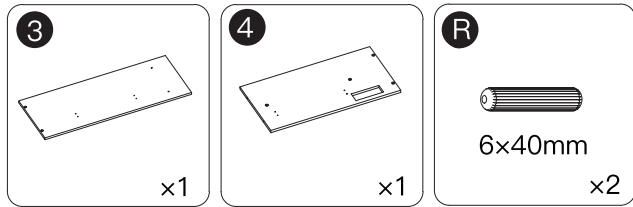
Step 9 Connect part 7 & part 9 with part 12, use part A to screw them.



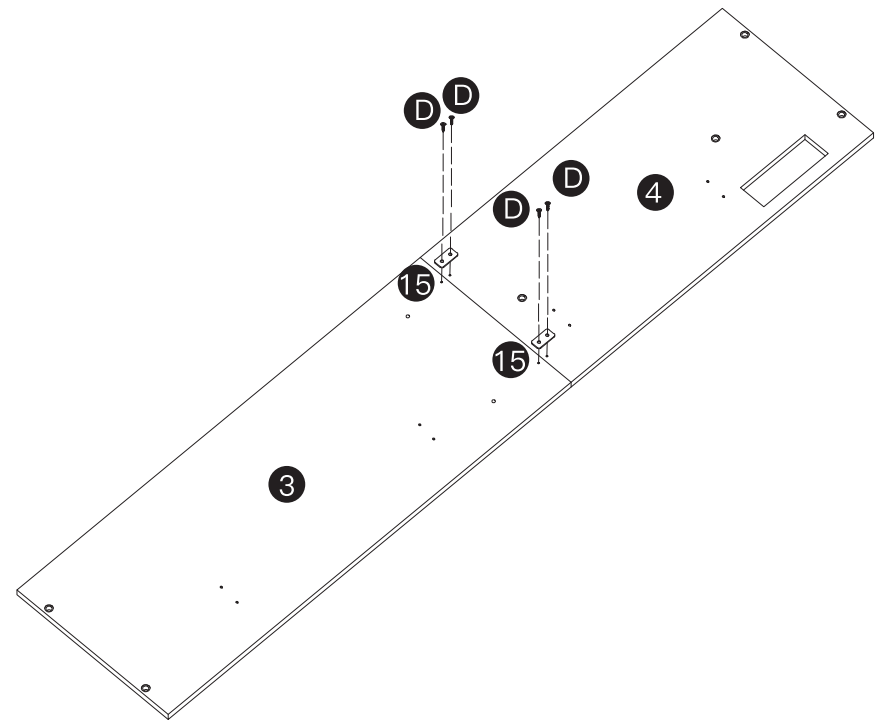
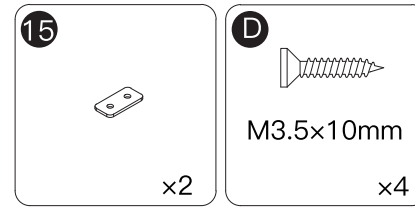
NOTICE:
Make sure holes of part 12 are facing upwards.



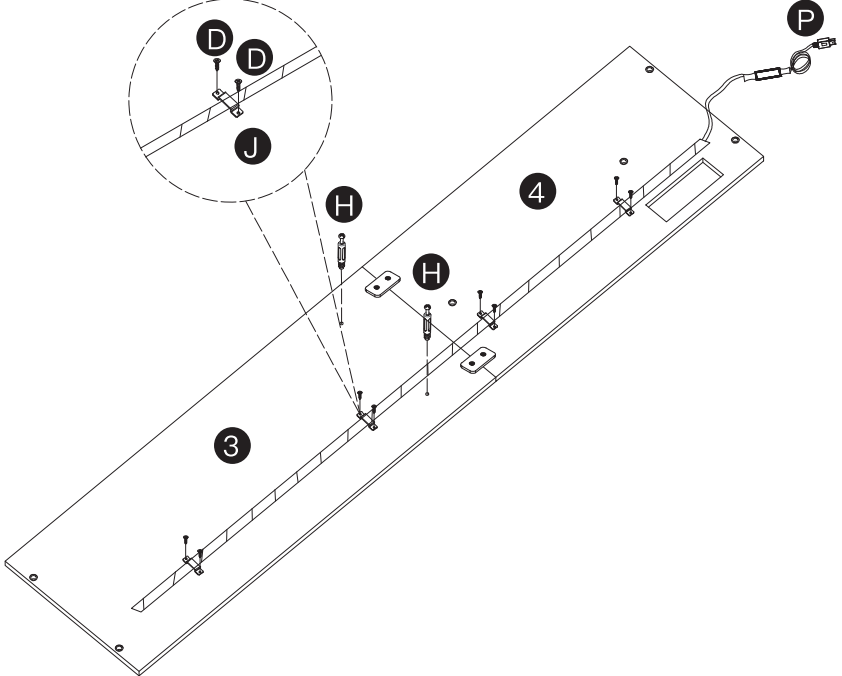
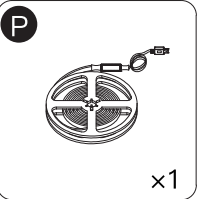
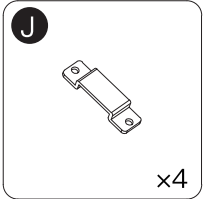
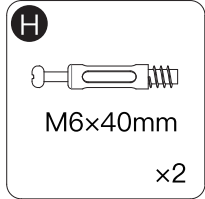
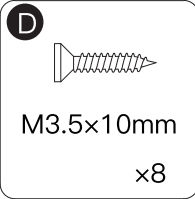
Step 10 Connect part 3 & part 4 with part R.



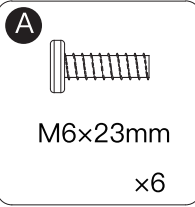
Step 11 Connect part 3 & part 4 with part 15, use part D to screw them.



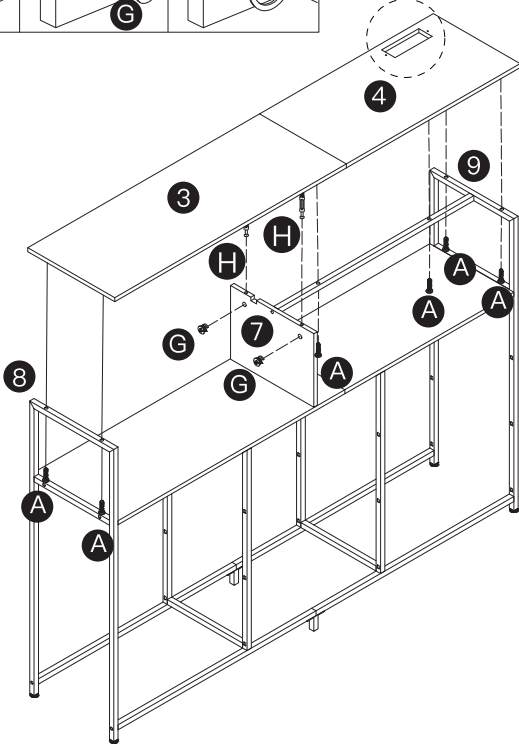
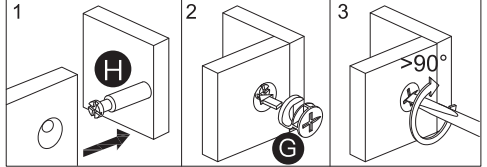
Step 12 Install part **H** on part **3** & part **4**.
 Install part **P** on part **3** & part **4** by part **J**, use part **D** to screw them.



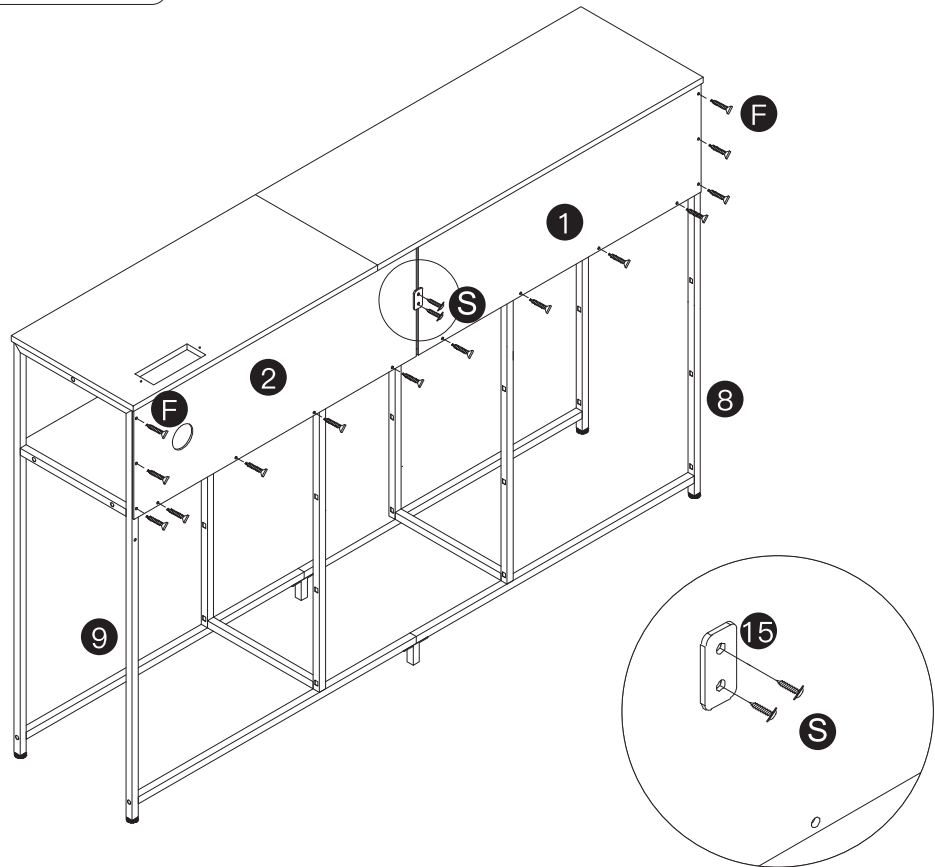
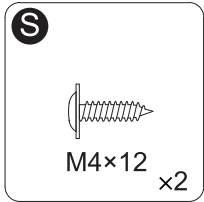
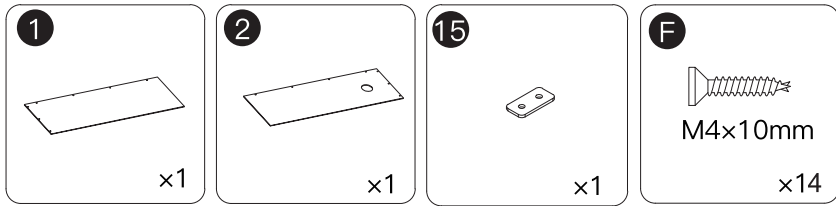
Step 13 Install part **3** & part **4** on part **7** & **8** & **9**, use part **A** & **G** to screw them.



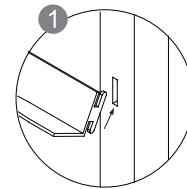
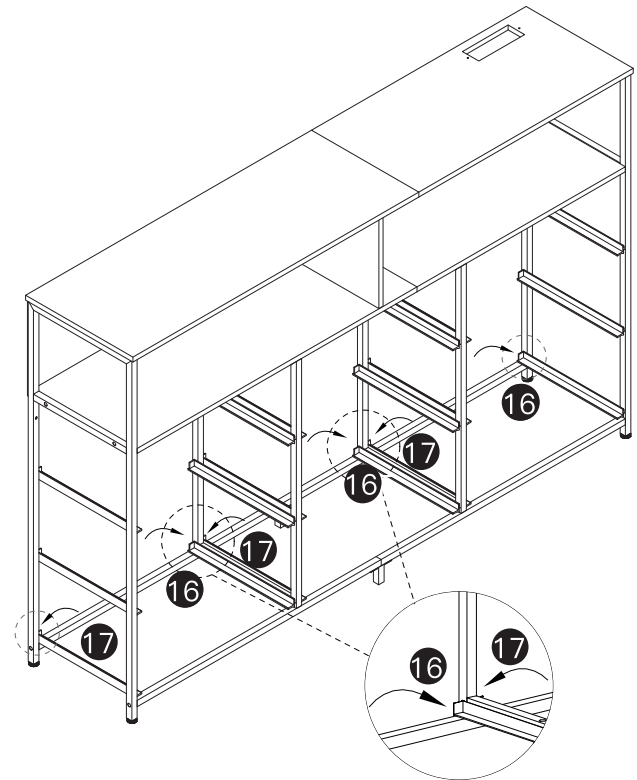
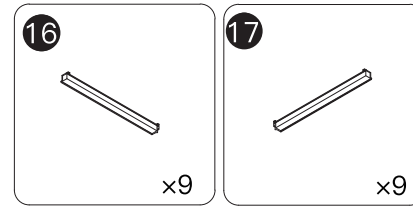
NOTICE:
 Make sure the hole of part **4** is facing upwards.



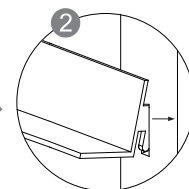
Step 14 Install part ① & ② on the back of the frame, use part ④, ⑤ & ⑥ to screw them.



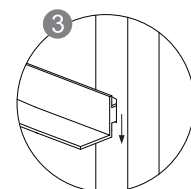
Step 15 Flip over and install part ⑬ and part ⑭ on the frame.



1 Insert the upper part into the square hole.

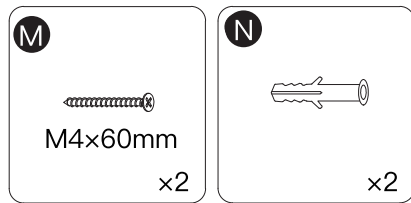


2 Then insert the rest part horizontally.

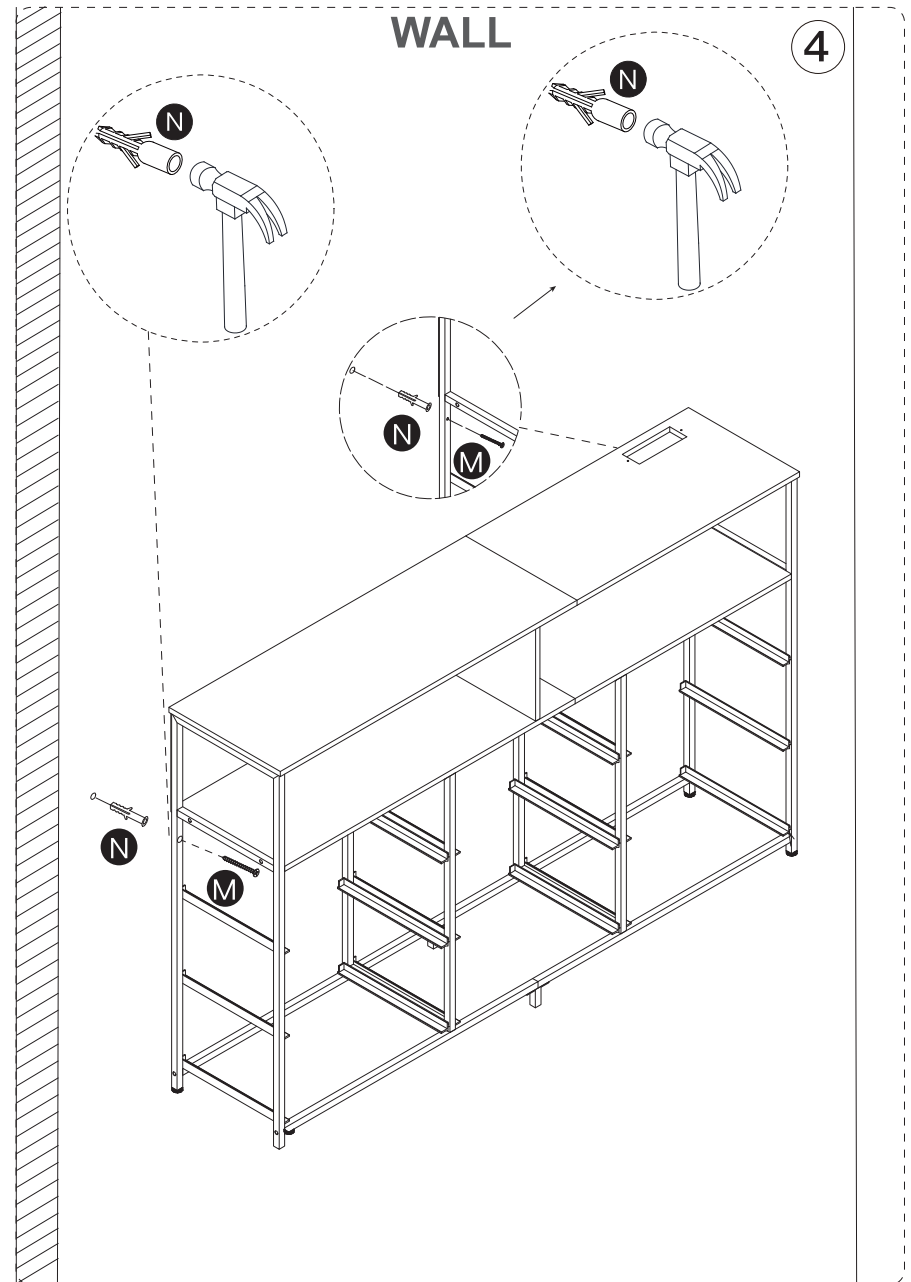
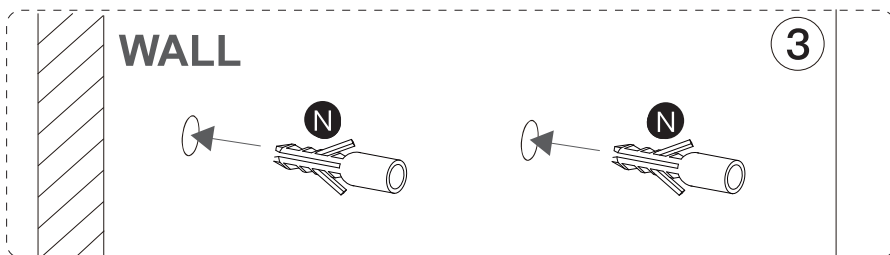
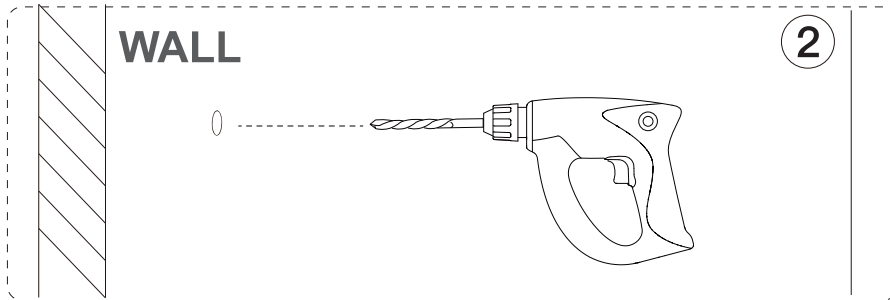
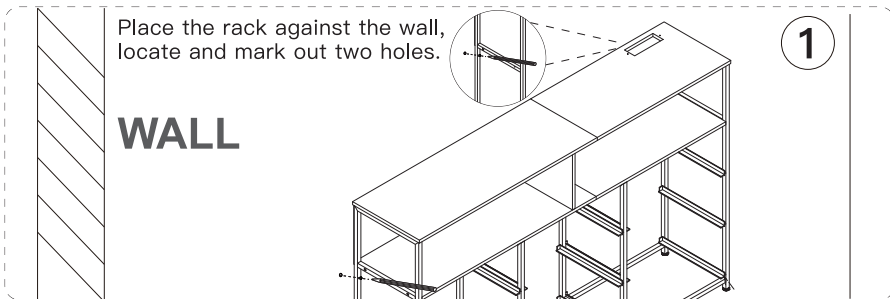


3 Press down the rail to ensure proper installation.

Step 16 (Optional) Drill two holes on a solid wall and insert wall anchors of part **N** inside the holes, then lock the rack with part **M**.

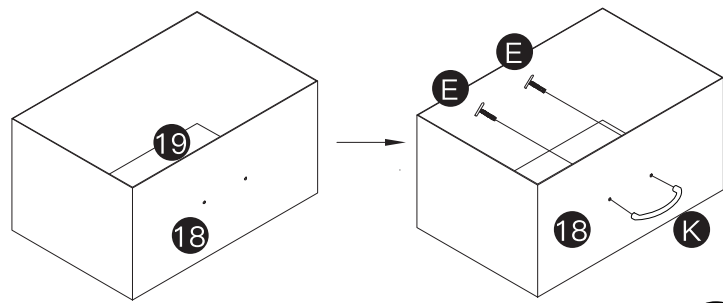
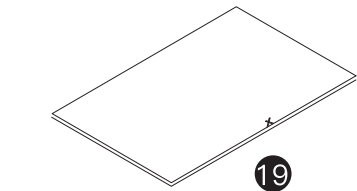
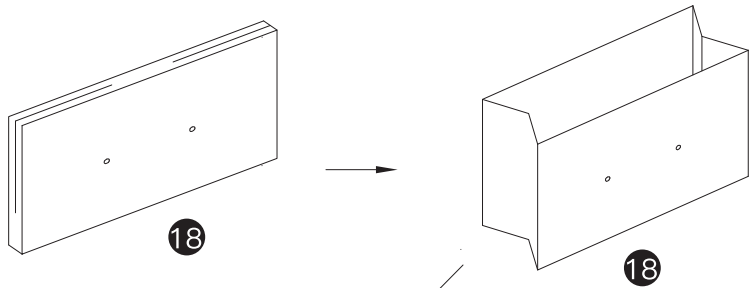
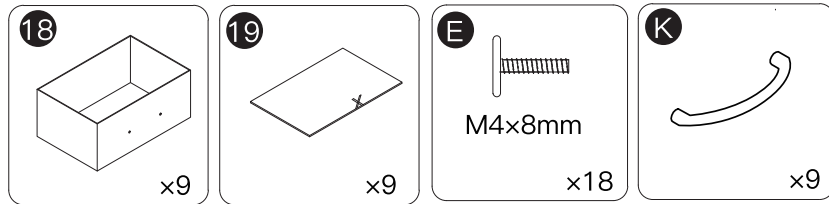


NOTICE:
Electric drill does not included in our parts, please prepare it by yourself.



Step 17

Open the drawers (part 18) and put part 19 inside, and install part K on the drawers with part E.



x9

Step 18

Put all drawers into the frame. Install part Q on part 4, use part D to screw them.

