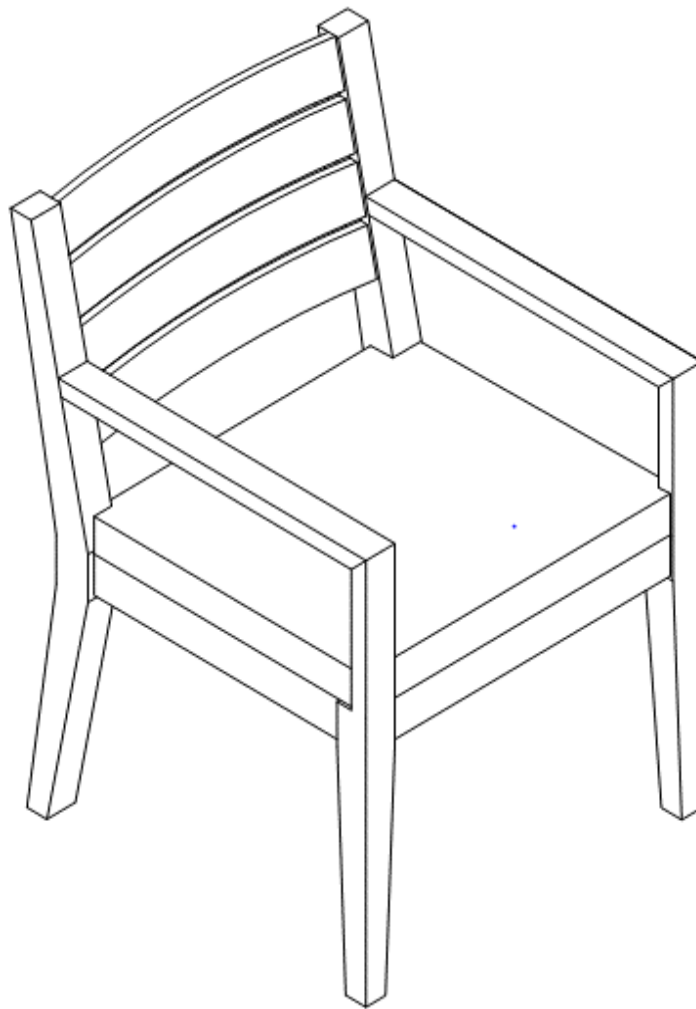


Assembly Instructions

Caution: You must read this before you proceed

Please look behind dummy box for hardware packs

CHAIR

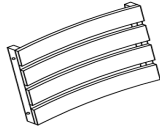
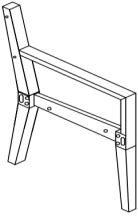
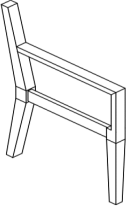
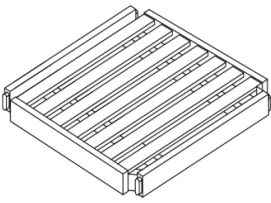
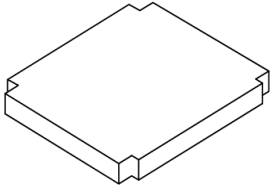


Caution: This Chair is NOT a TOY

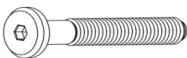
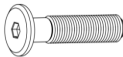
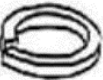


Keep your child/ children at bay during the assembly process.

Whenever moving/lifting the Chair and to prevent damage to the Chair two adults are needed to execute these actions.

Parts List

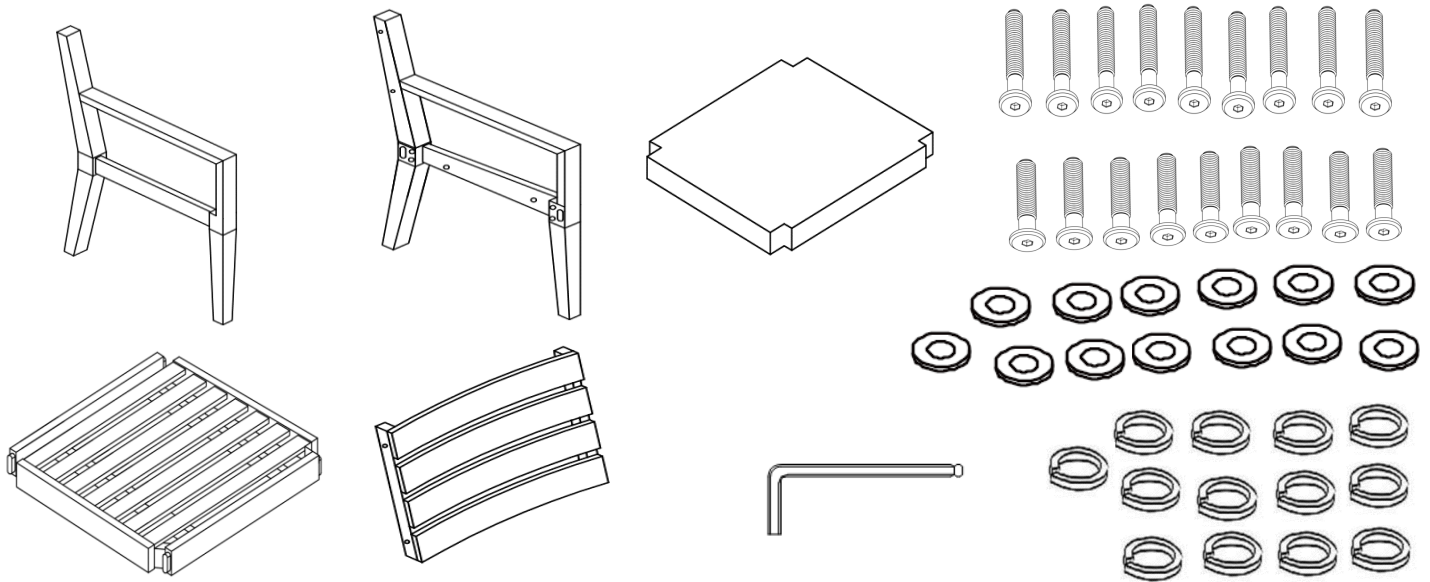
Label	Picture	Description	QTY
A		Backrest Panel	1
B		Right Leg Panel	1
C		Left Leg Panel	1
D		Seat Panel	1
E		Seat Cushion	1

Hardware

Label	Picture	Description	QTY
①		Bolt (M6x75mm)	9
②		Bolt (M6x35mm)	9
③		Spring Washer (M6.5x2mm)	13
④		Washer (M6.5x2mm)	13
⑤		Allen Key	1

Assembly Preparation

Before Beginning Assembly:



- Read instructions, cover to cover-



- Have 2 adults on hand for assembly-



- Do not assemble on flooring or carpet-



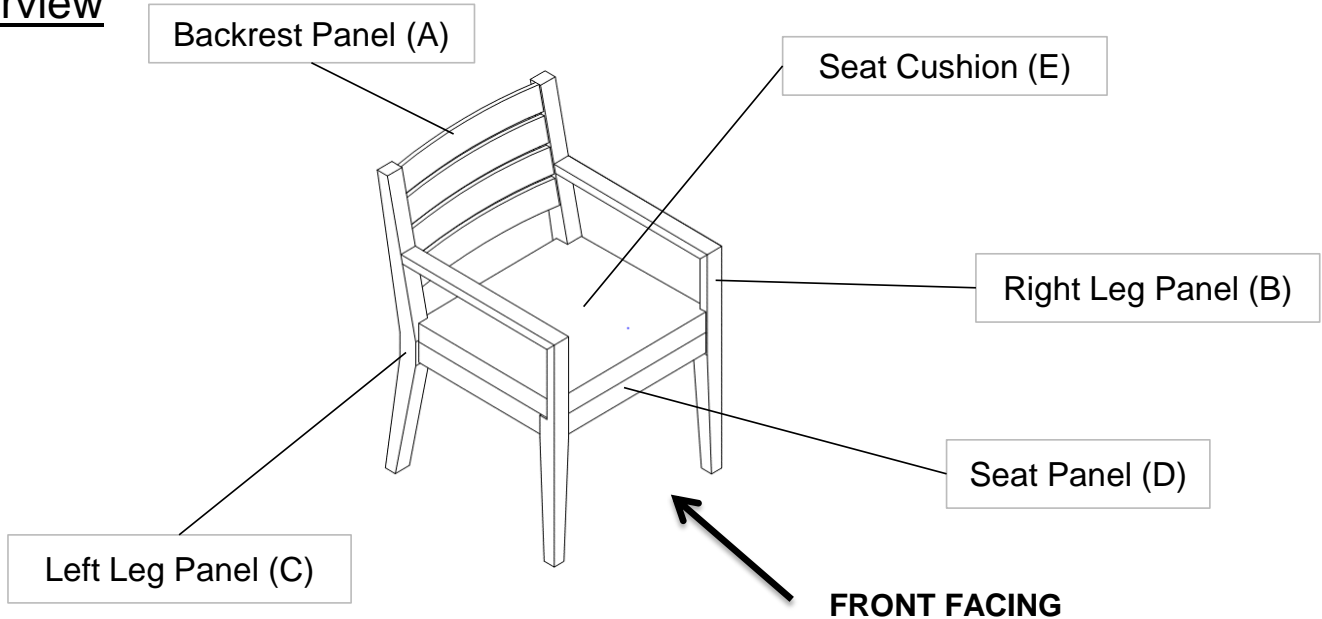
- Assemble on a clean non-marring surface (packing foam)-



- Save all packaging until finished-

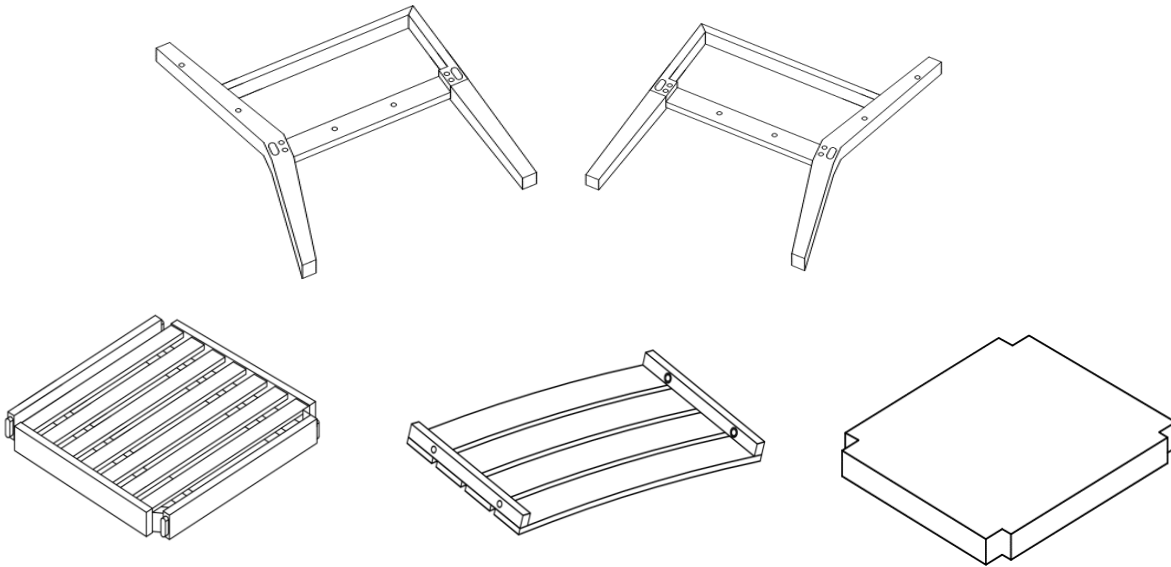
Assembly Steps

Overview



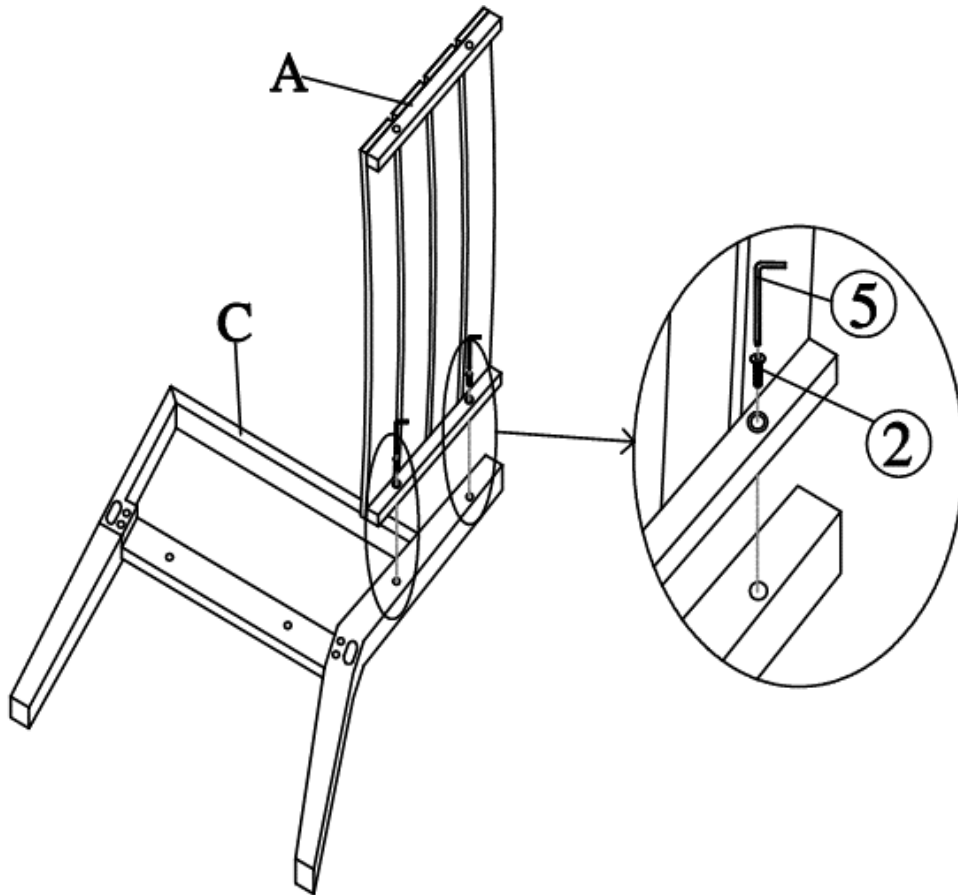
This Chair has multiple parts and may require up to 30 minutes to assemble. To give you an overview of the Chair parts, the above picture is to help you put the various parts into perspective. Please read through the instructions below to familiarise yourself with the parts and steps before assembly.

Step 1



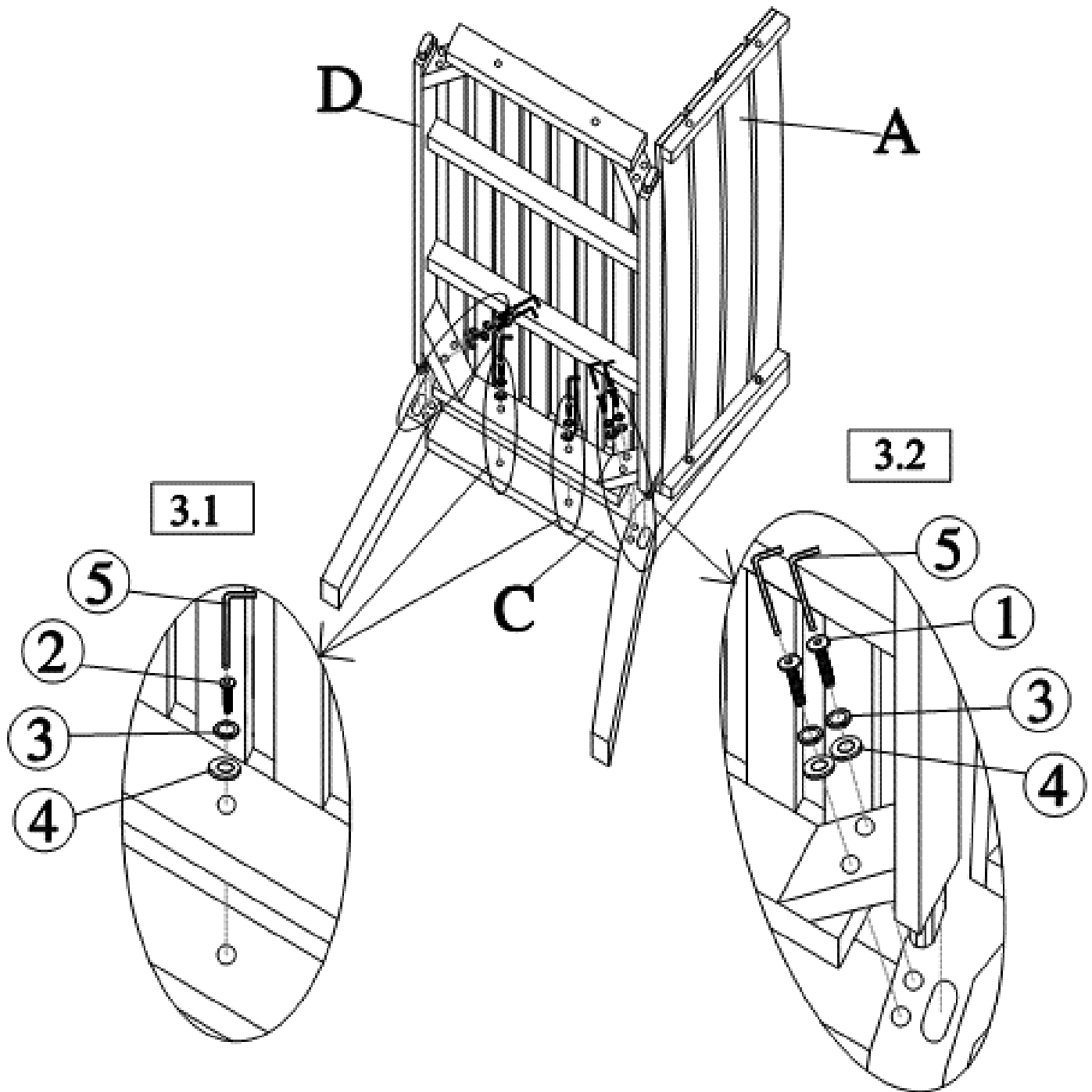
Unpack and place all parts on a clean, non-marring surface.

Step 2



Place the Left Leg Panel(C) facedown onto a clean, non-marring surface.
Attach the Backrest Panel(A) to Left Leg Panel(C) using Bolts(2) with Allen Key(5).
Do not fully tighten the Bolts.

Step 3

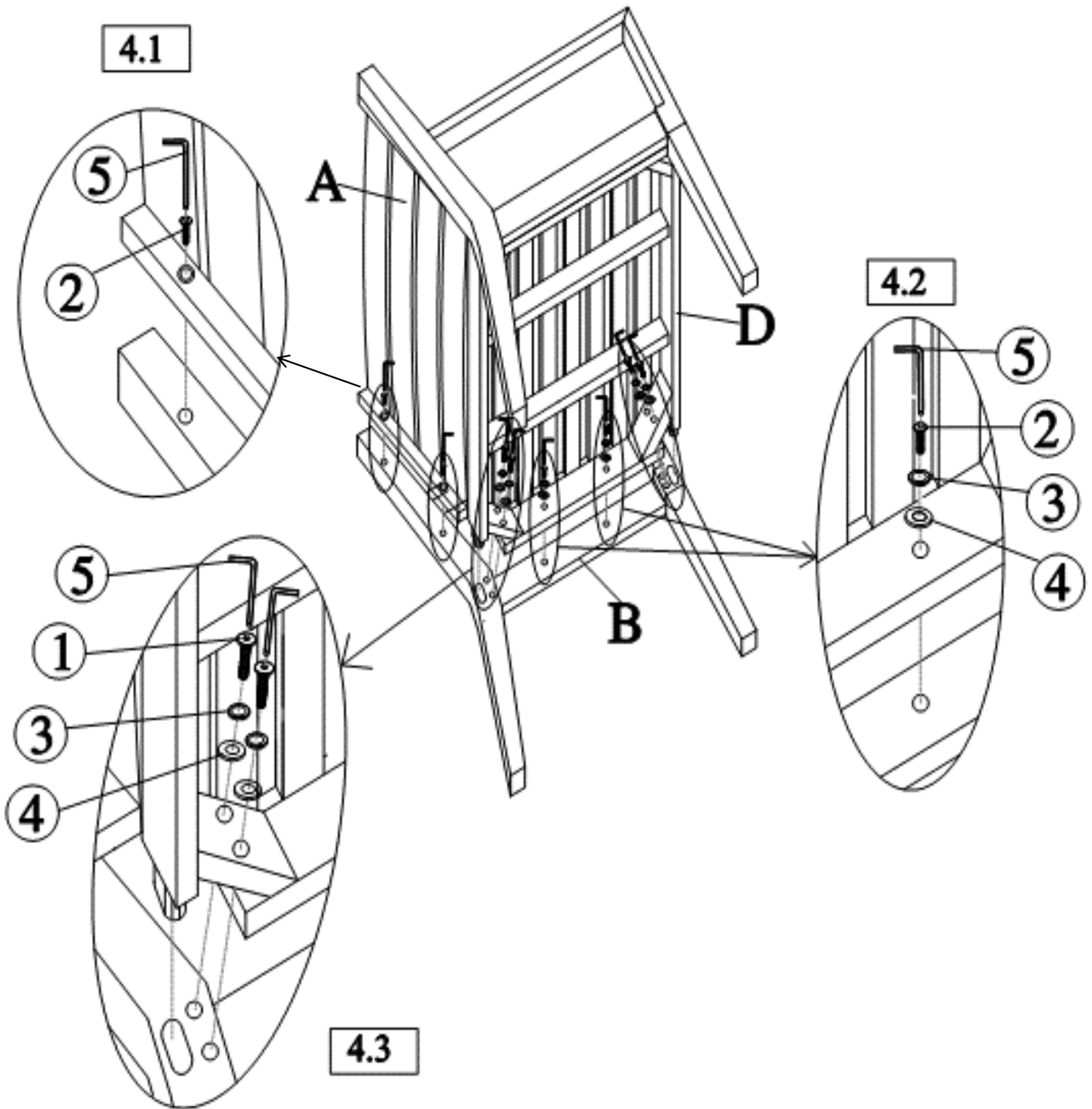


3.1) Attach Seat Panel(D) to Left Leg Panel(C) using Bolts(②), Spring Washers(③), and Washers(④) with Allen Key(⑤).

3.2) Attach Seat Panel(D) to Left Leg Panel(C) using Bolts(①), Spring Washers(③), and Washers(④) with Allen Key(⑤).

Do not fully tighten the Bolts.

Step 4



With assistance from your adult partners, align assembled frame from **Step 3** to Right Leg Panel(B).

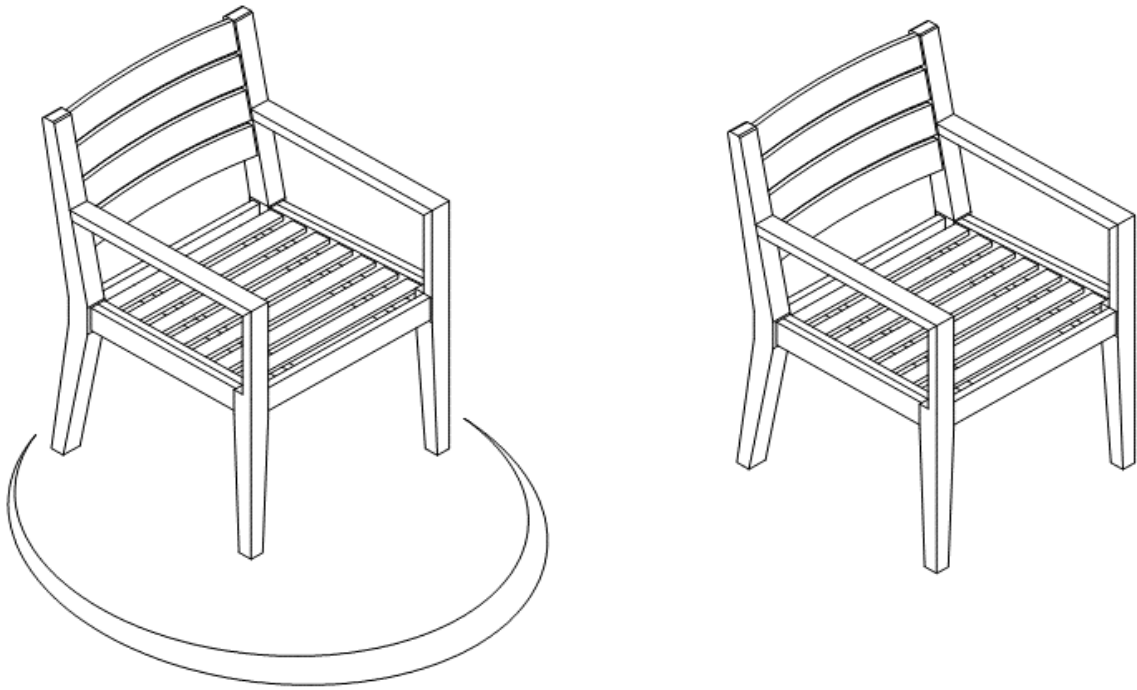
4.1) Attach Backrest Panel(A) to Right Leg Panel(B) using Bolts(2) with Allen Key(5).

4.2) Attach Seat Panel(D) to Right Leg Panel(B) using Bolts(2), Spring Washers(3), and Washers(4) with Allen Key(5).

4.3) Attach Seat Panel(D) to Right Leg Panel(B) using Bolts(1), Spring Washers(3), and Washers(4) with Allen Key(5).

Do not fully tighten the Bolts.

Step 5



Place the Chair on a LEVEL SURFACE.

Gently and gracefully, sit into to the Chair.

This pressure will help the Chair reach full alignment at all joints.

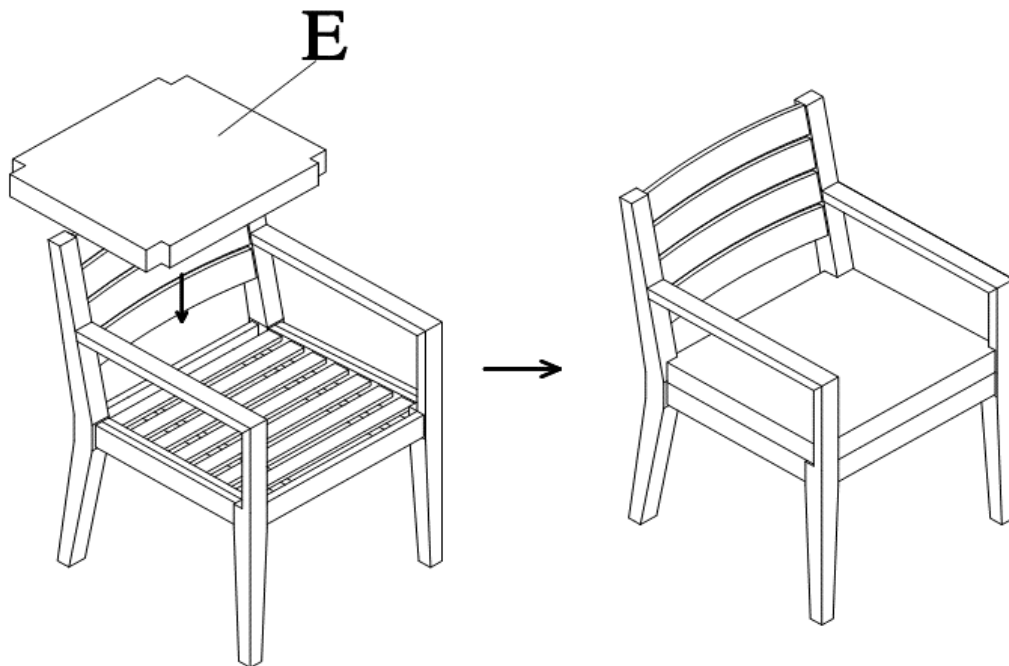
In a sequential manner, gradually tighten all Bolts until evenly secured.

When tightening the Bolts tighten sequentially.

DO NOT tighten any Bolt fully and then move on towards the next one.

If there are still wobbles, loosen the Bolts and execute this same process.

Step 6












Place Seat Cushion(E) into the Chair as shown above.

Your Chair is ready for use.

This Chair can only be used on a flat, level surface.

Care & Maintenance

-  Do not put hot items directly on furniture surface
 -  Do not clean furniture with harsh cleansers or polish.
 -  To obtain the longest lifespan of your outdoor products, minimizing exposure to direct sunlight is recommended.
 -  Children should not climb or jump on the furniture.
 -  Do not write on furniture without a padded barrier to protect the
 -  To obtain the longest lifespan of your outdoor products, avoid extended and lengthy exposure to rain, snow, and direct sunshine. Whenever possible cover the product and /or place under patio or awnings.
 -  Not for commercial use. For residential use only .
 -  Stains may be removed with mild soap solution and damp cloth.
-
-  Dust and pick-up spills using a clean, non-colored, lint-free cloth .