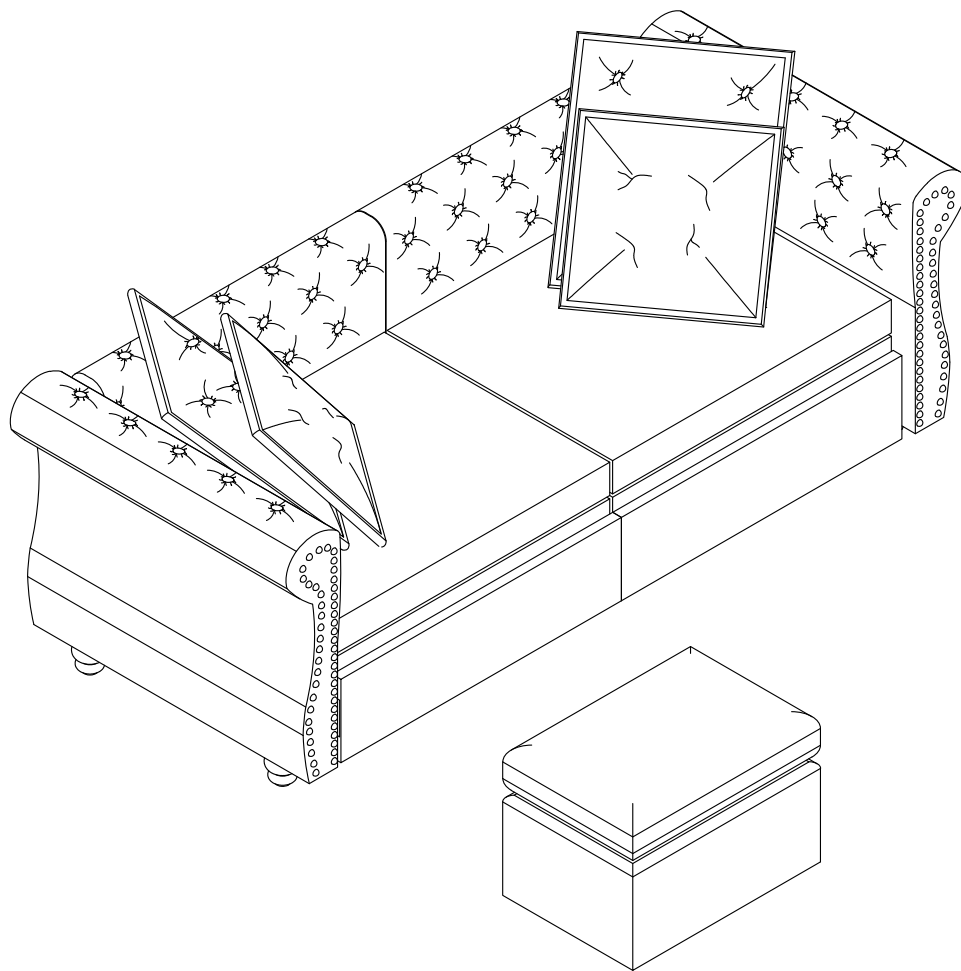
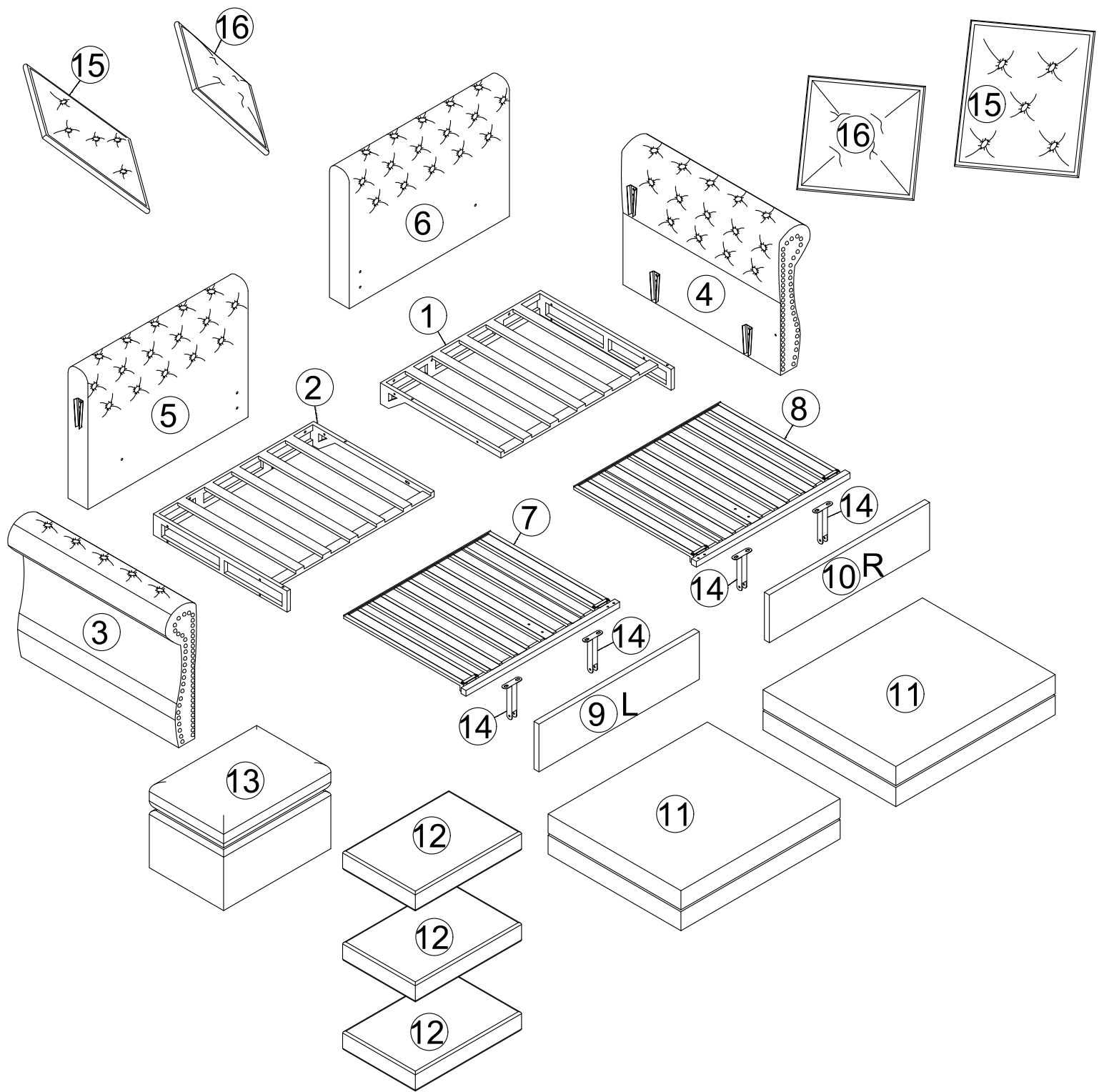


# INSTALLATION INSTRUCTION



2115-25/8. 18

---



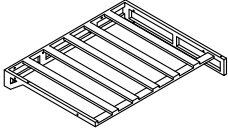
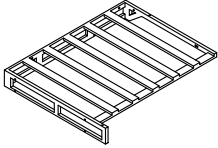
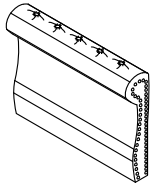
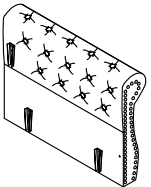
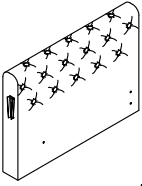
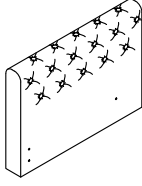
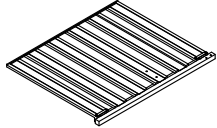
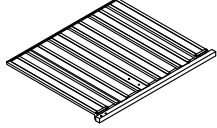
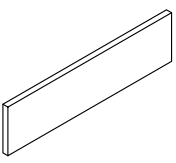
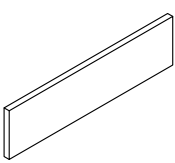
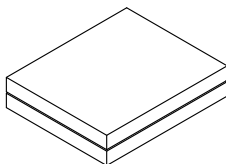
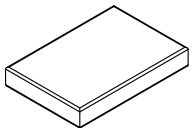
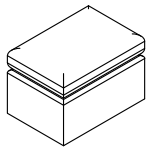
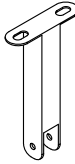
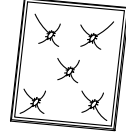
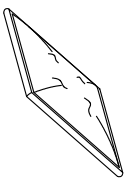
**Note:**

All soft components (cushions, backrests, etc.) are **compressed for packaging**. After opening:

1. Allow **48 hours to 1 week** for full expansion.
2. Gently pat and fluff regularly to accelerate recovery.
3. Keep in a dry, well-ventilated area away from direct heat.

Tip: Expansion time may vary depending on environmental conditions.

# PART LIST:

①  1PC	②  1PC	③  1PC	④  1PC
⑤  1PC	⑥  1PC	⑦  1PC	⑧  1PC
⑨  1PC	⑩  1PC	⑪  2PCS	⑫  3PCS
⑬  1PC	⑭  4PCS	⑮  2PCS	⑯  2PCS

How to distinguish screw models?

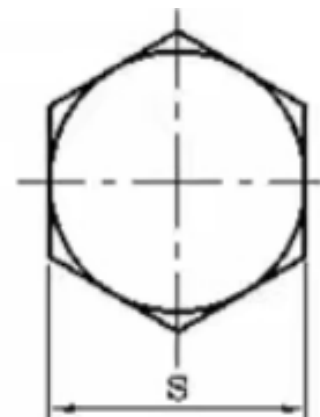
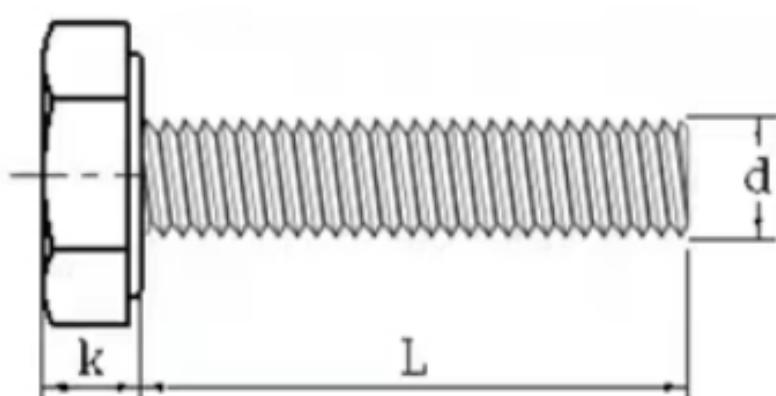
d: Representing thread diameter;

L: Representing the total length (excluding the head);

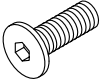
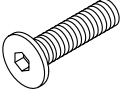
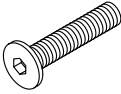
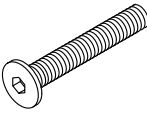
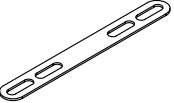
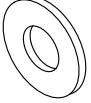
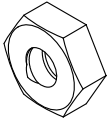
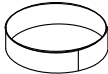
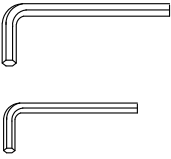
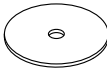
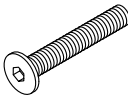
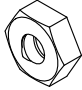
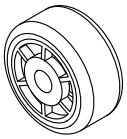
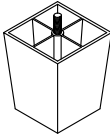
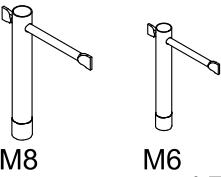
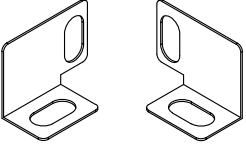



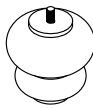
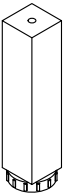
k: Representing the thickness of the head;

s: Representing hexagonal opposite sides;

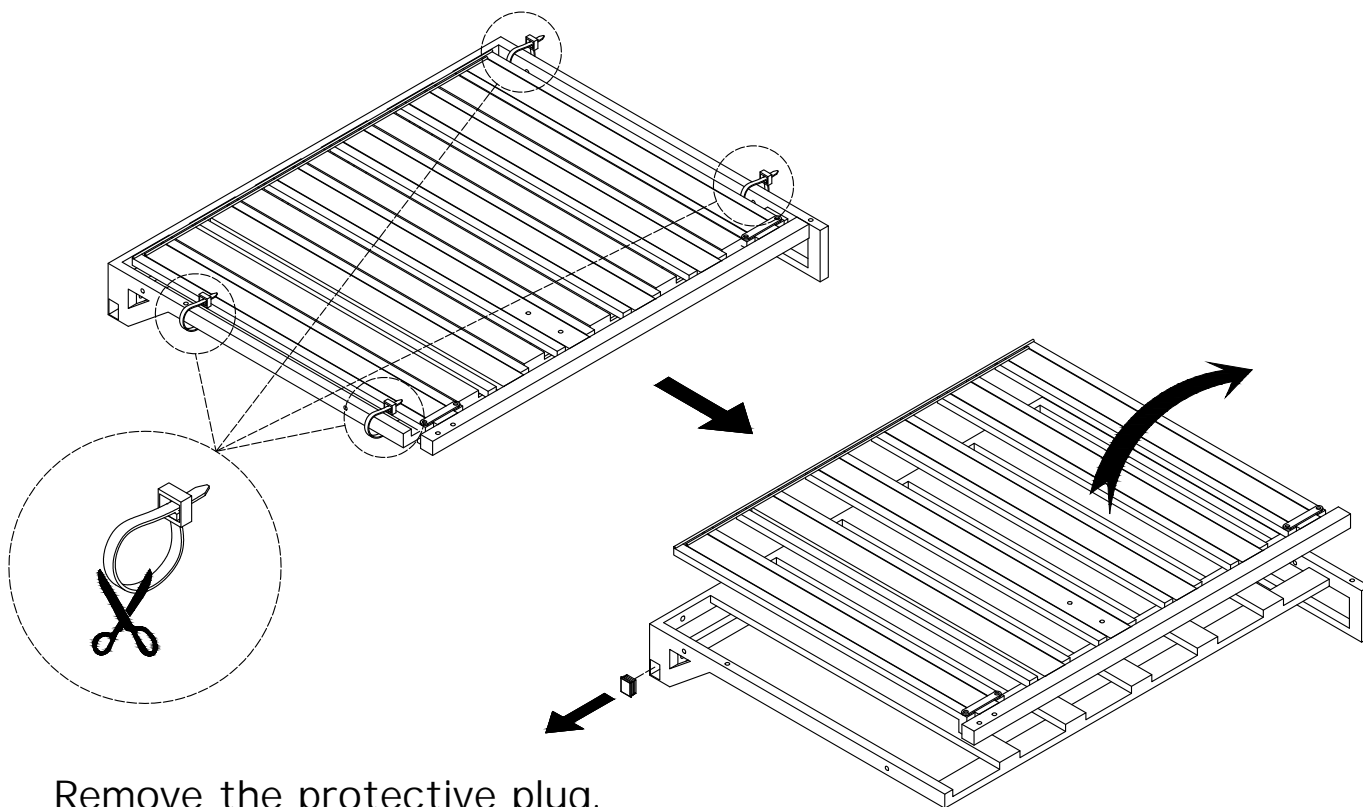
Composed of specifications  $d * L$ , such as M8 \* 20 (thread diameter 8mm \* length 20mm), excluding head thickness.



# HARDWARE LIST:

<p><b>A</b></p>  <p>M8x20 32PCS</p>	<p><b>B</b></p>  <p>M8x30 8PCS</p>	<p><b>C</b></p>  <p>M8x40 1PCS</p>	<p><b>D</b></p>  <p>M8x60 13PCS</p>
<p><b>E</b></p>  <p>1PC</p>	<p><b>F</b></p>  <p>M8 29PCS</p>	<p><b>G</b></p>  <p>M8 20PCS</p>	<p><b>H</b></p>  <p>2PCS</p>
<p><b>I</b></p>  <p>M8 M6 1PC</p>	<p><b>J</b></p>  <p>1PC</p>	<p><b>K</b></p>  <p>M6x35 10PCS</p>	<p><b>L</b></p>  <p>M6 10PCS</p>
<p><b>M</b></p>  <p>10PCS</p>	<p><b>N</b></p>  <p>4PCS</p>	<p><b>O</b></p> <p>Tool s</p>  <p>M8 M6 1PC</p>	<p><b>P</b></p>  <p>Left Right Angle Iron 1PC</p>
<p><b>Q</b></p>  <p>4PCS</p>	<p><b>R</b></p>  <p>Cylindrical Leg 2PCS</p>	<p><b>S</b></p>  <p>Trapezoidal Leg 2PCS</p>	<p><b>T</b></p>  <p>4PCS</p>
<p><b>U</b></p>  <p>Square Leg 1PC</p>			

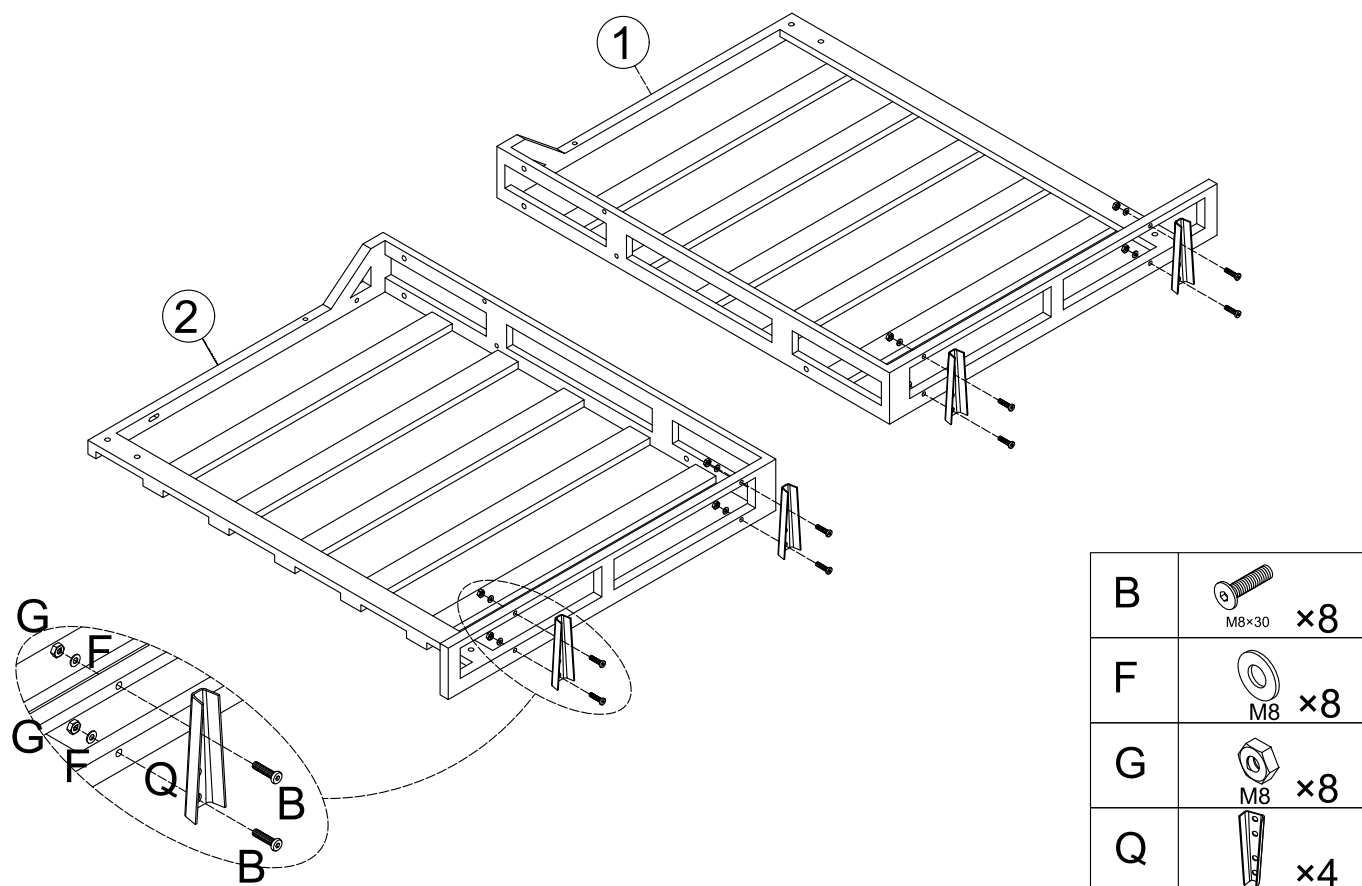
## Step 1



Remove the protective plug.

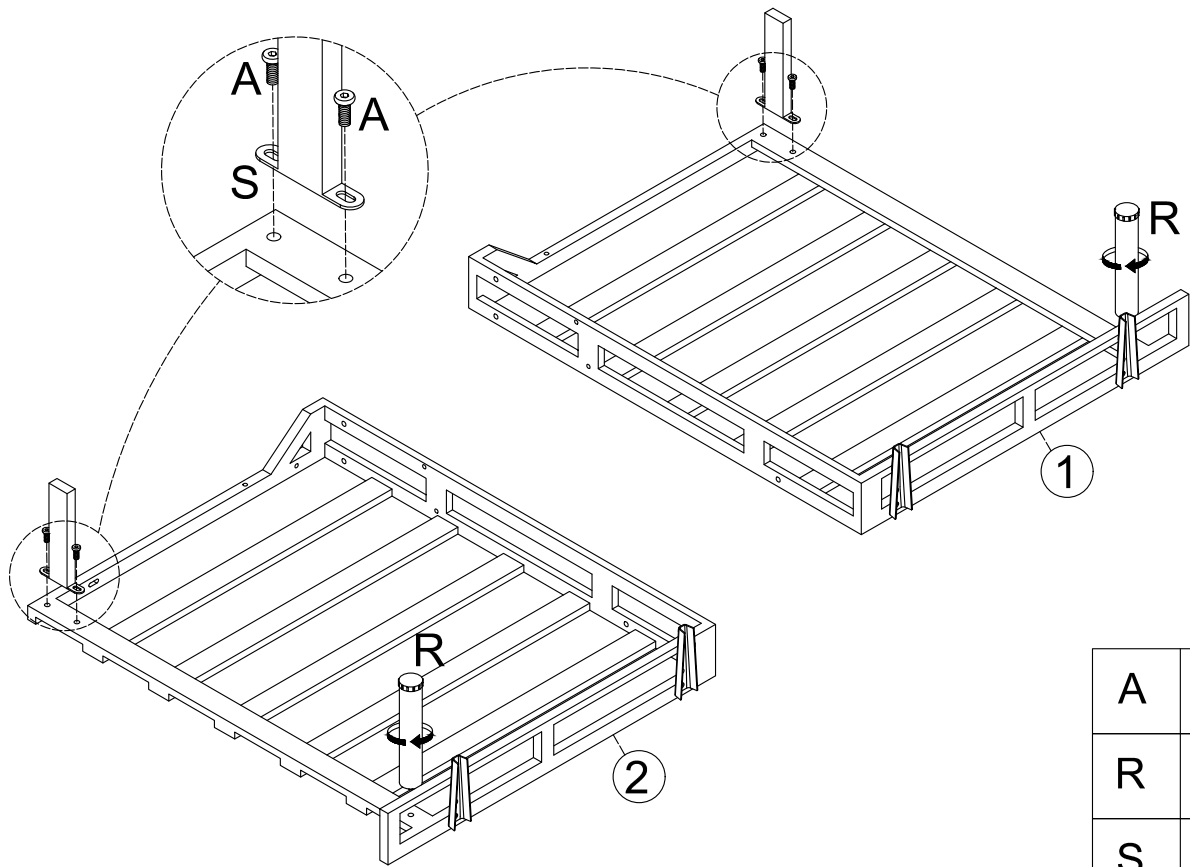
## Step 2

Install pin Q onto Part 1 and Part 2 using screw B (M8 \* 30), Flat Gasket F, and Nut G (M8).



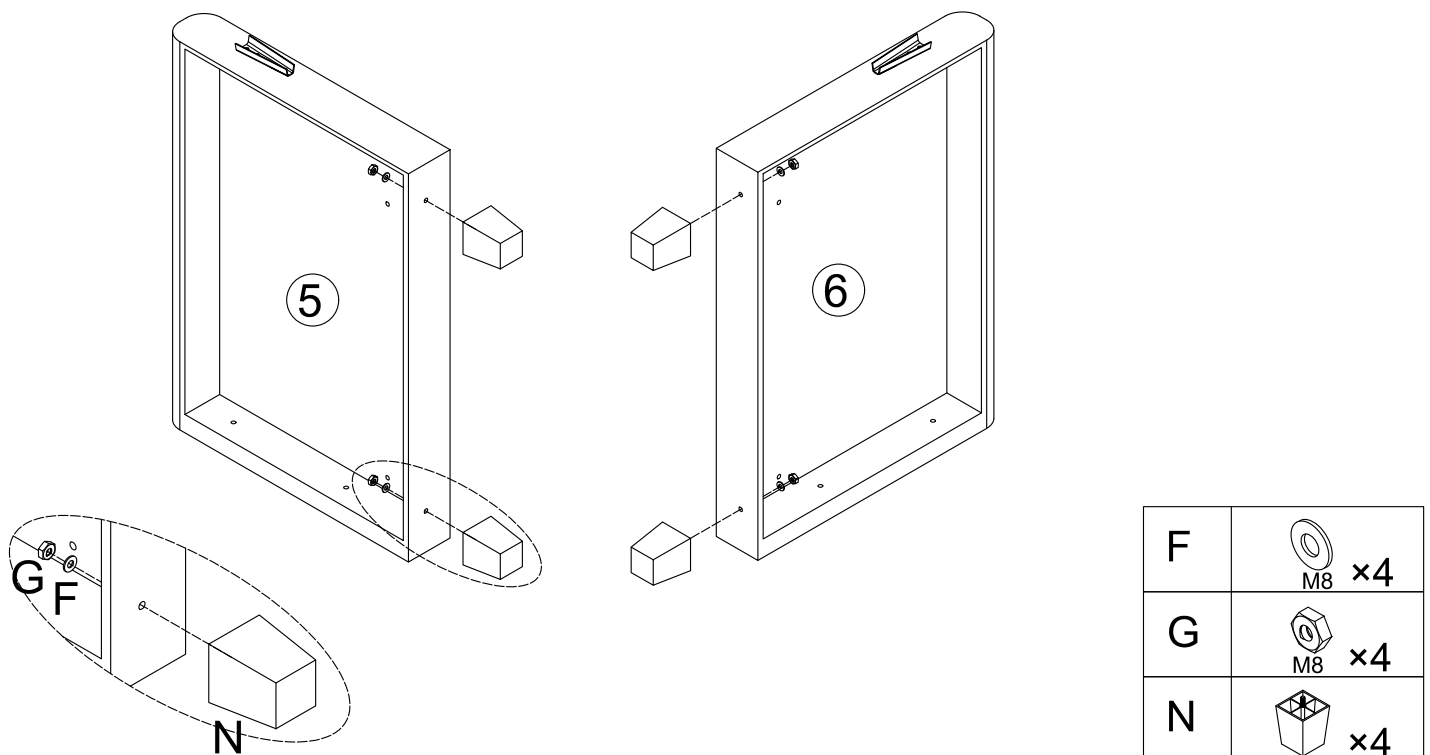
### Step 3

Use screw A (M8 \* 20) to install S (Trapezoidal Leg) on Part 1 and Part 2. Cylindrical Leg R are directly screwed onto parts 1 and 2.



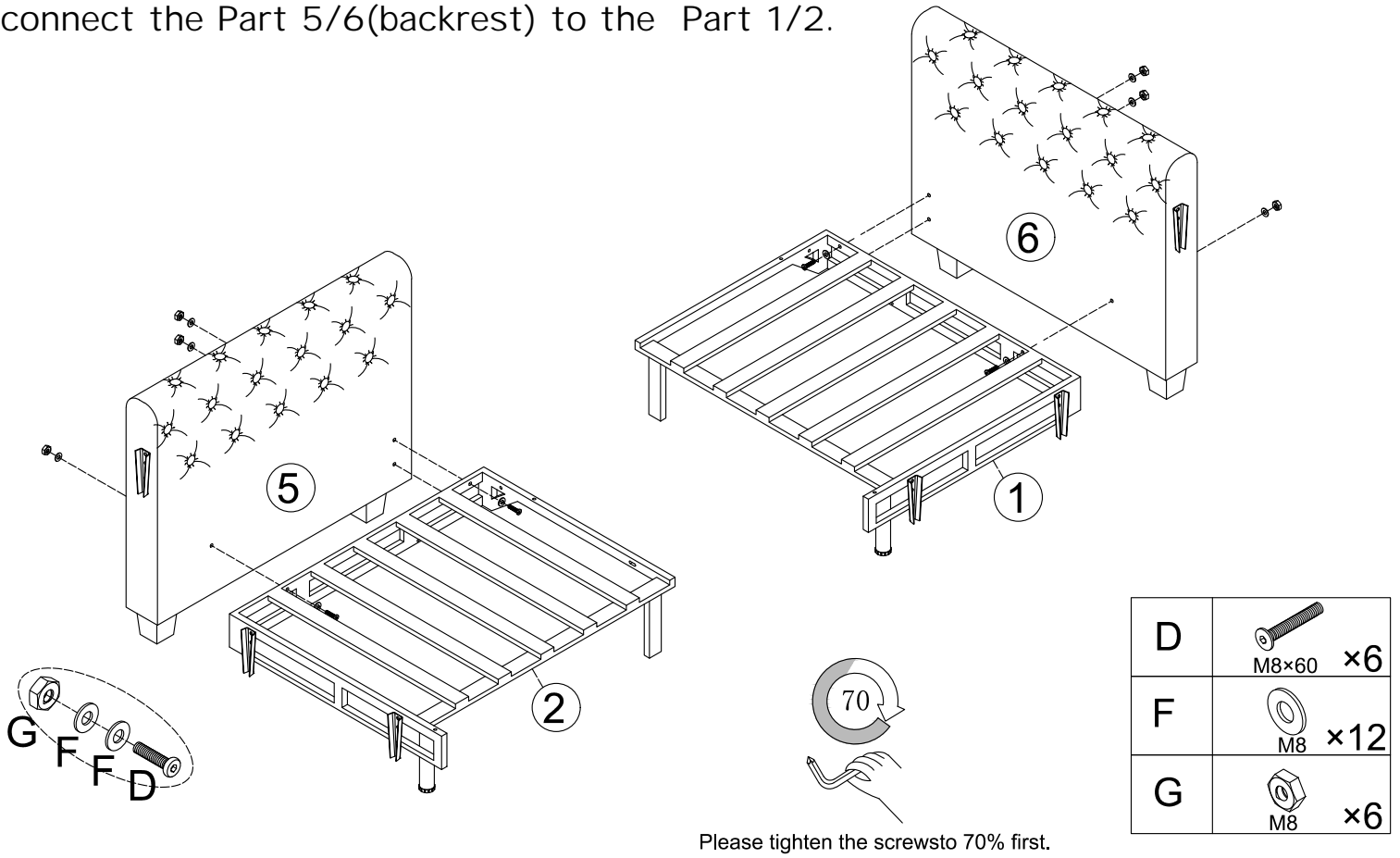
### Step 4

Use leg N onto Part 5 and Part 6 using Flat Gasket F (M8) and Nut G (M8).



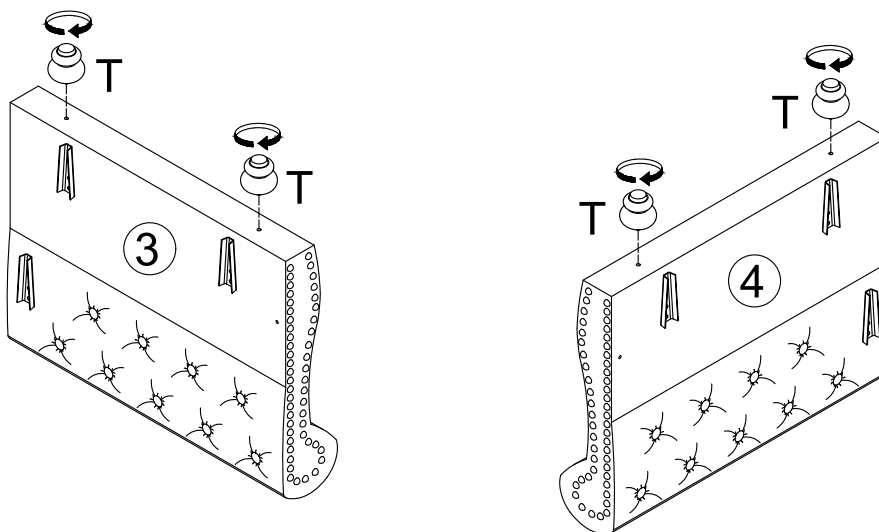
## Step 5

Use Screw D (M8 \* 60), Flat Gasket F (M8) and Nut G (M8) connect the Part 5/6(backrest) to the Part 1/2.

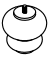


## Step 6

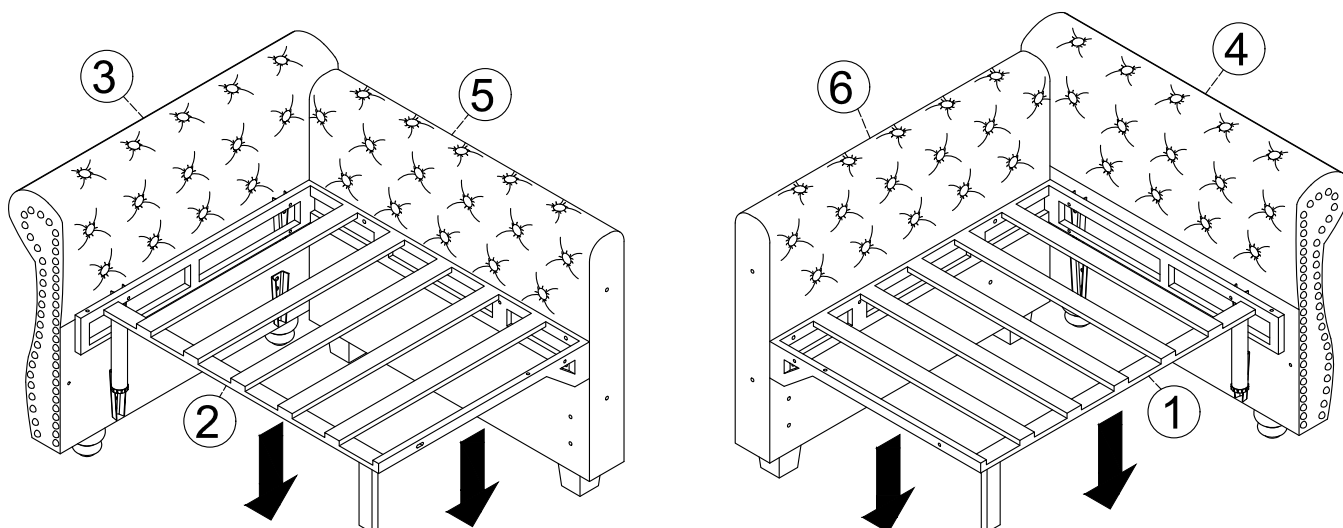
Twist leg T onto armrests 3/4 respectively



If you have any questions, please contact us by email [BANNERZY0309@163.COM](mailto:BANNERZY0309@163.COM).

T	 ×4
---	--

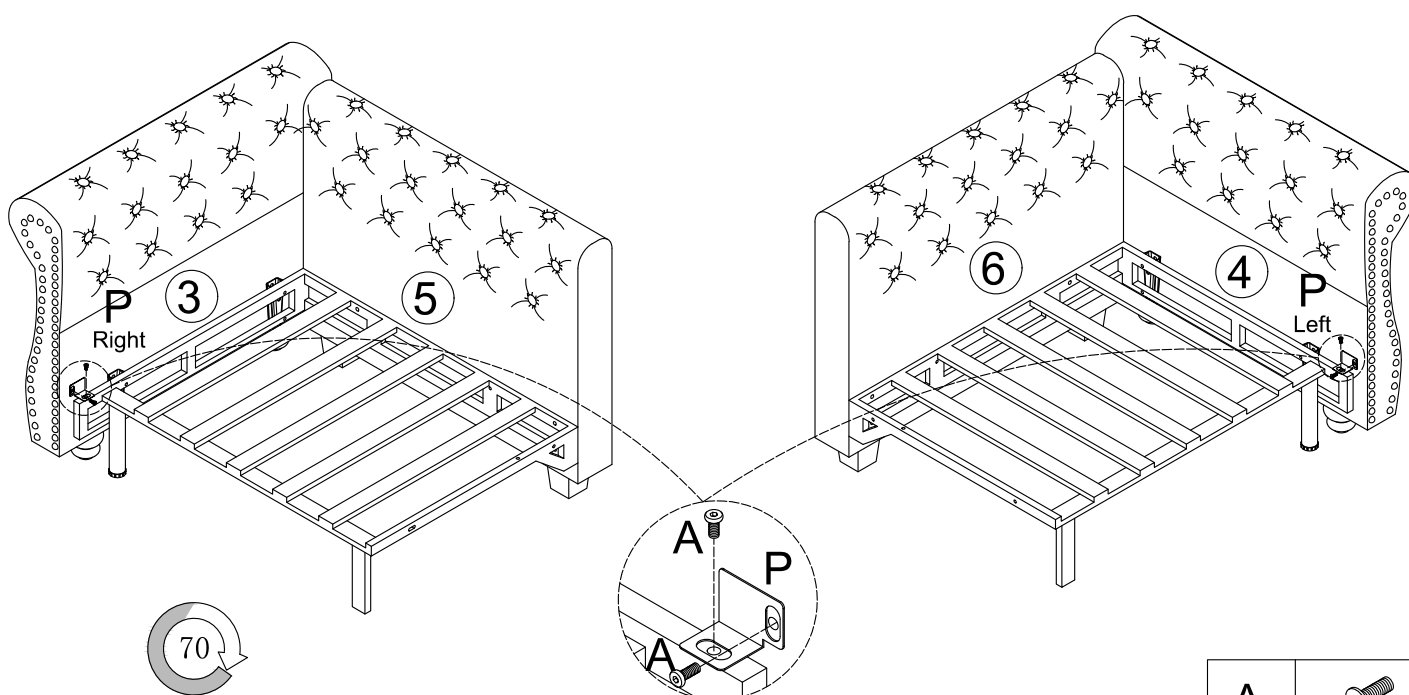
## Step 7






Insert the armrest of part 3/4 into part 1/2 and connect it to the backrest of part 5/6.

## Step 8

Reinforce the armrest with screw A (M8 \* 20) and Angle Iron P.

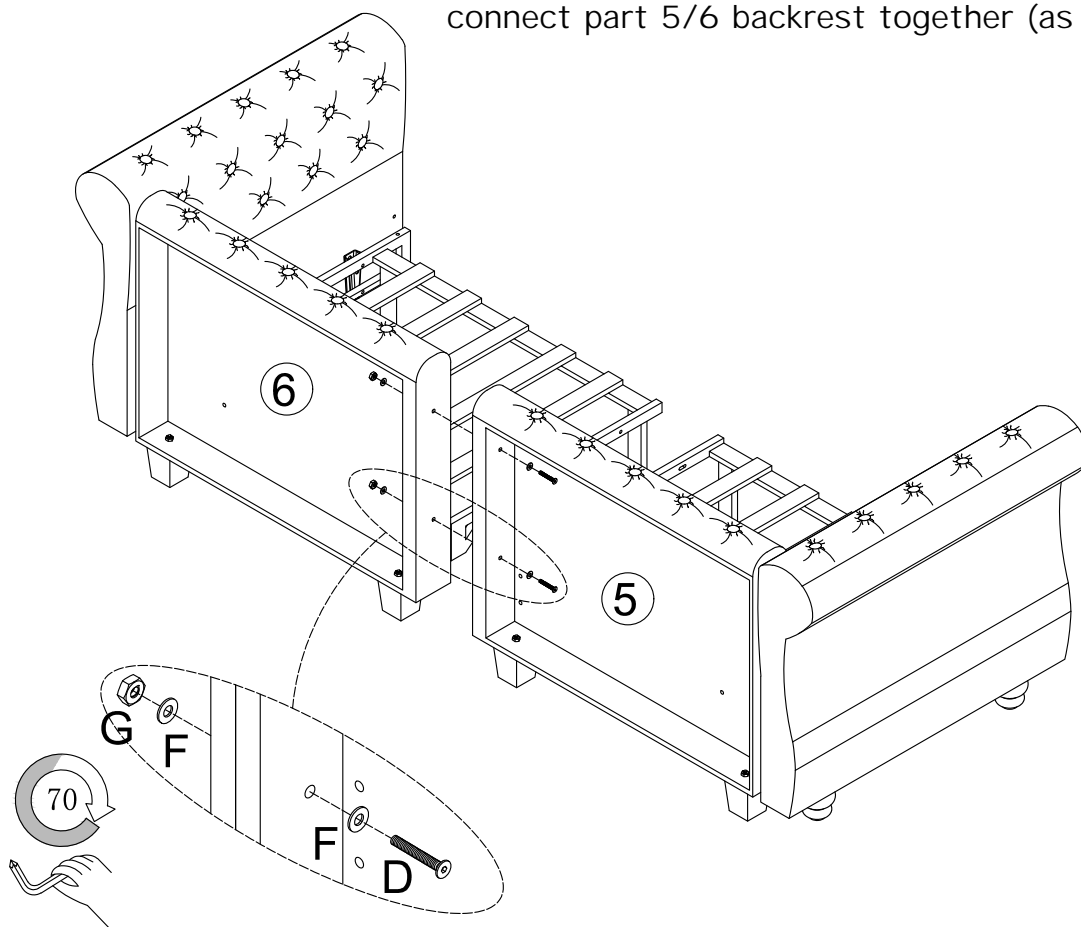


Please tighten the screws to 70% first.




A	 M8*20 x4
P	  x1

## Step 9

Use screw D (M8 \* 60), Flat Gasket F (M8), and nut G (M8) to connect part 5/6 backrest together (as shown in the figure).

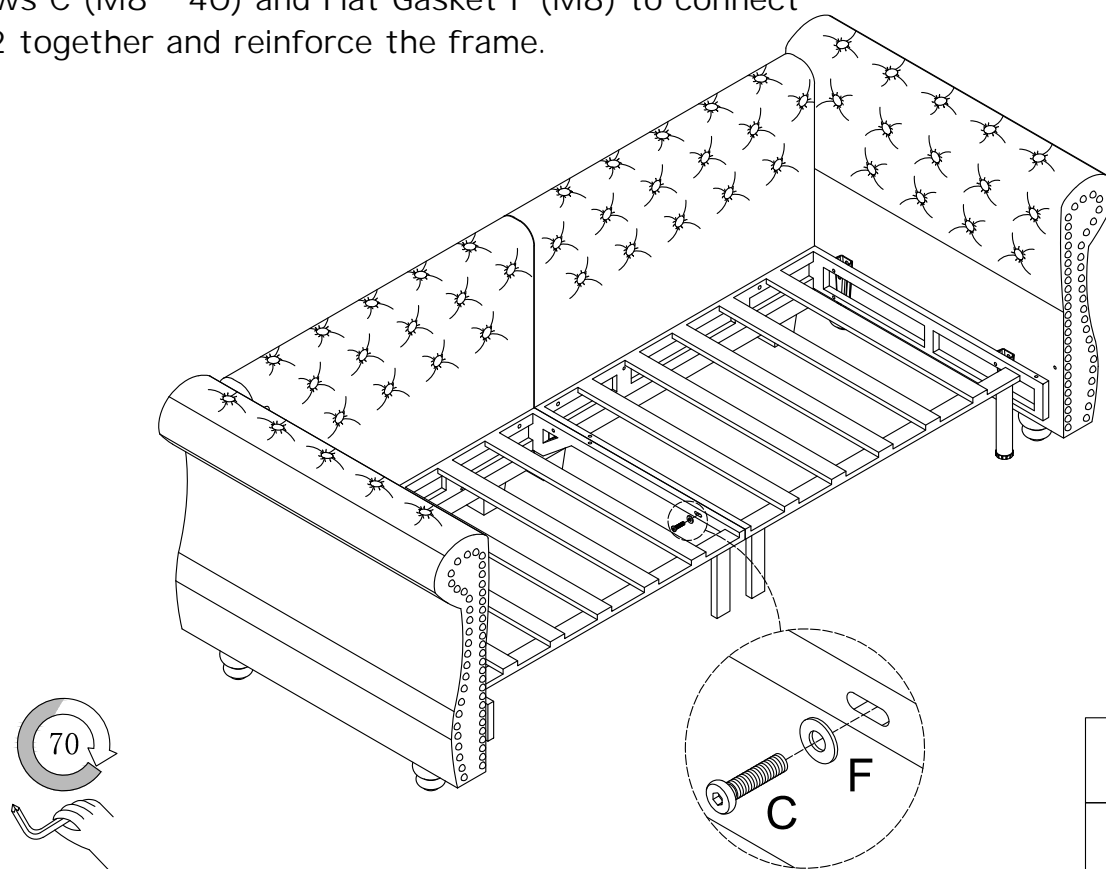


Please tighten the screw to 70% first.



D	 M8×60 ×2
F	 M8 ×4
G	 M8 ×2

## Step 10

Use screws C (M8 \* 40) and Flat Gasket F (M8) to connect parts 1/2 together and reinforce the frame.

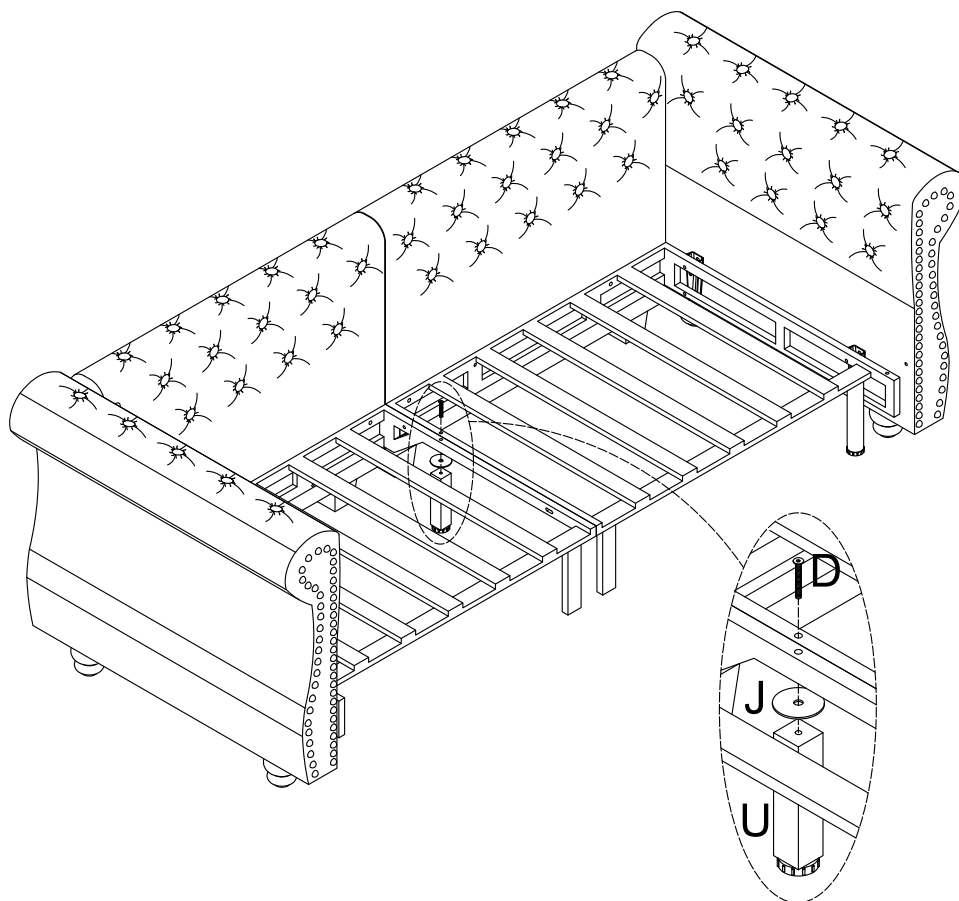


Please tighten the screw to 70% first.

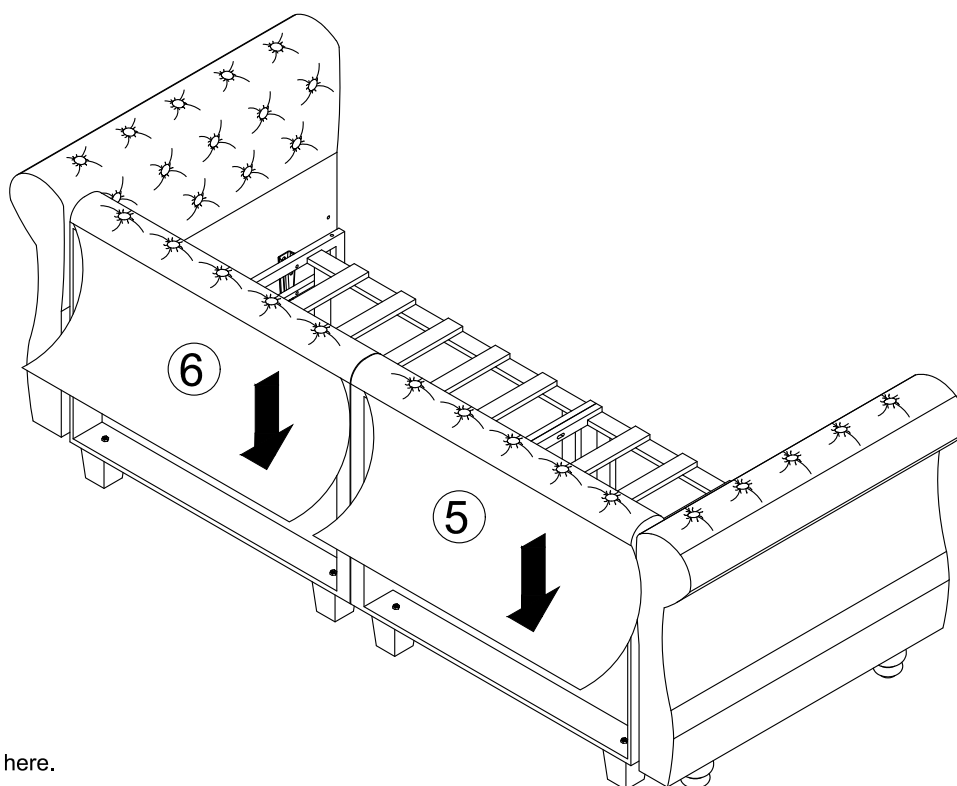
C	 M8×40 ×1
F	 M8 ×1

## Step 11

Use screw D (M8 \* 60) to install Square Leg U and disc J on part 2.

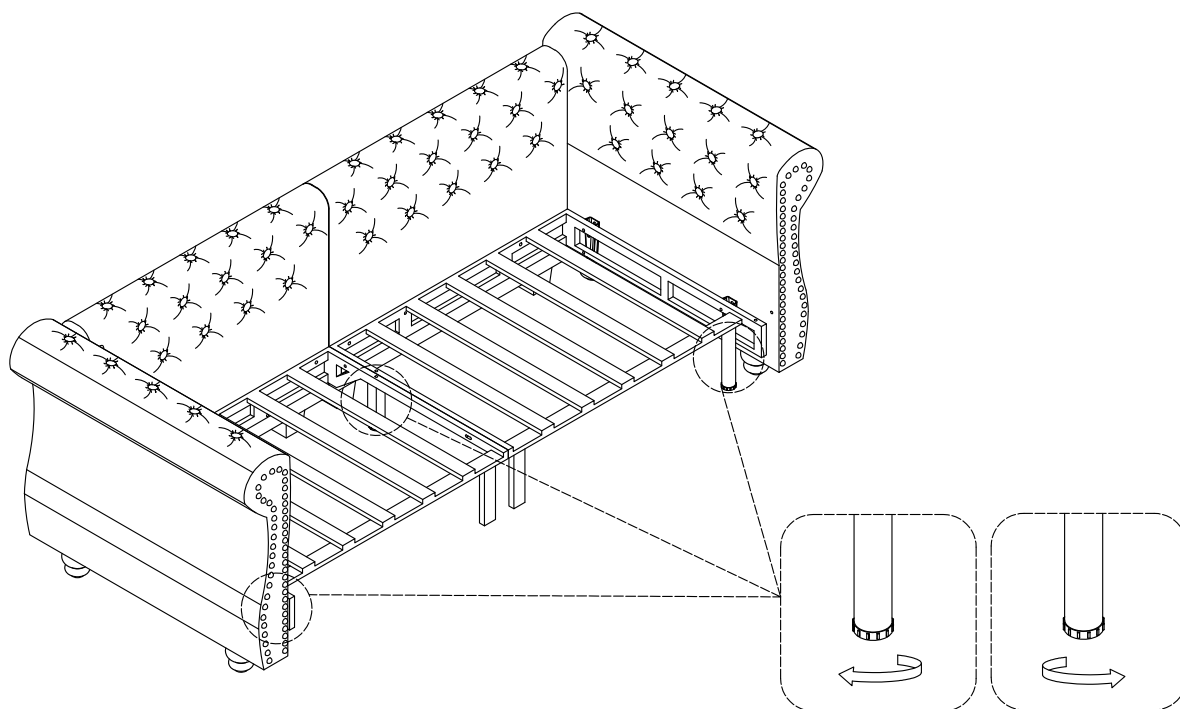


## Step 12



Note: Adjust the flatness of No. 5 and No. 6 properly, then tighten the screws and finally attach the shielding curtain.

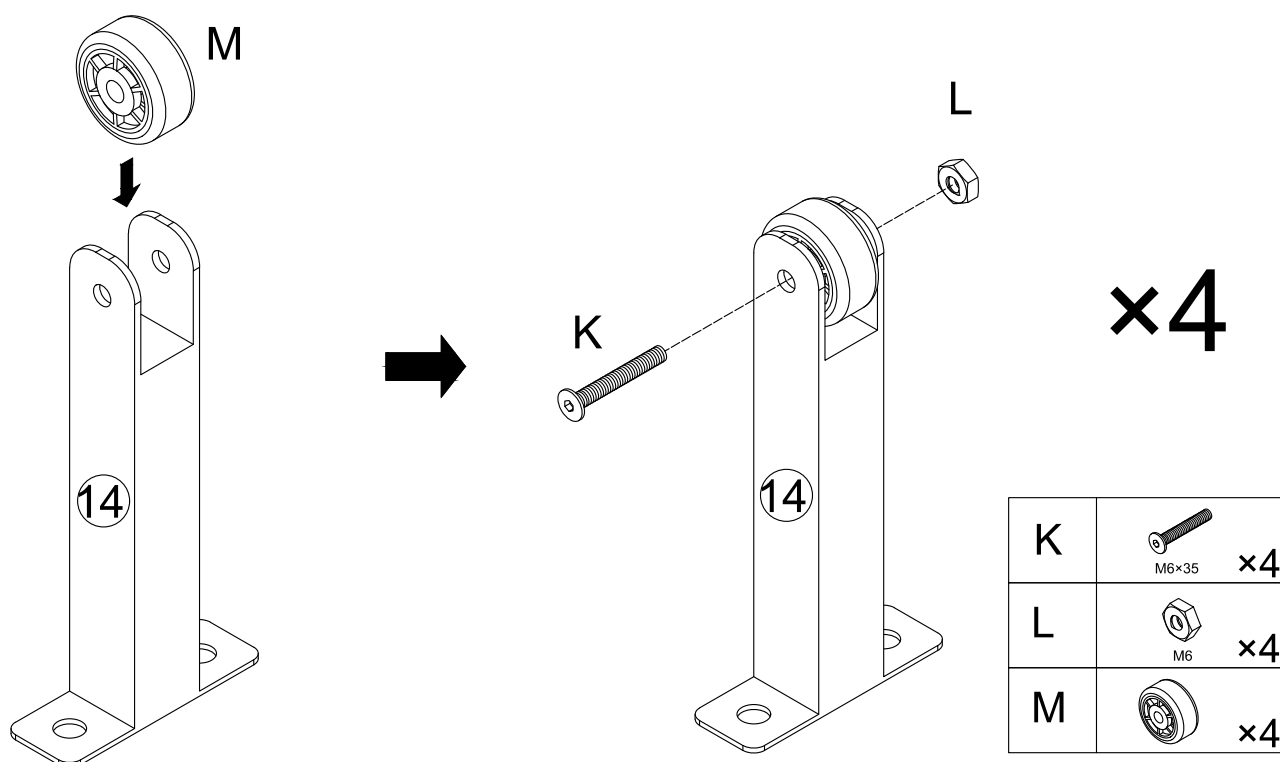
## Step 13



If the sofa is not positioned stably, you may adjust the height of its legs as follows.

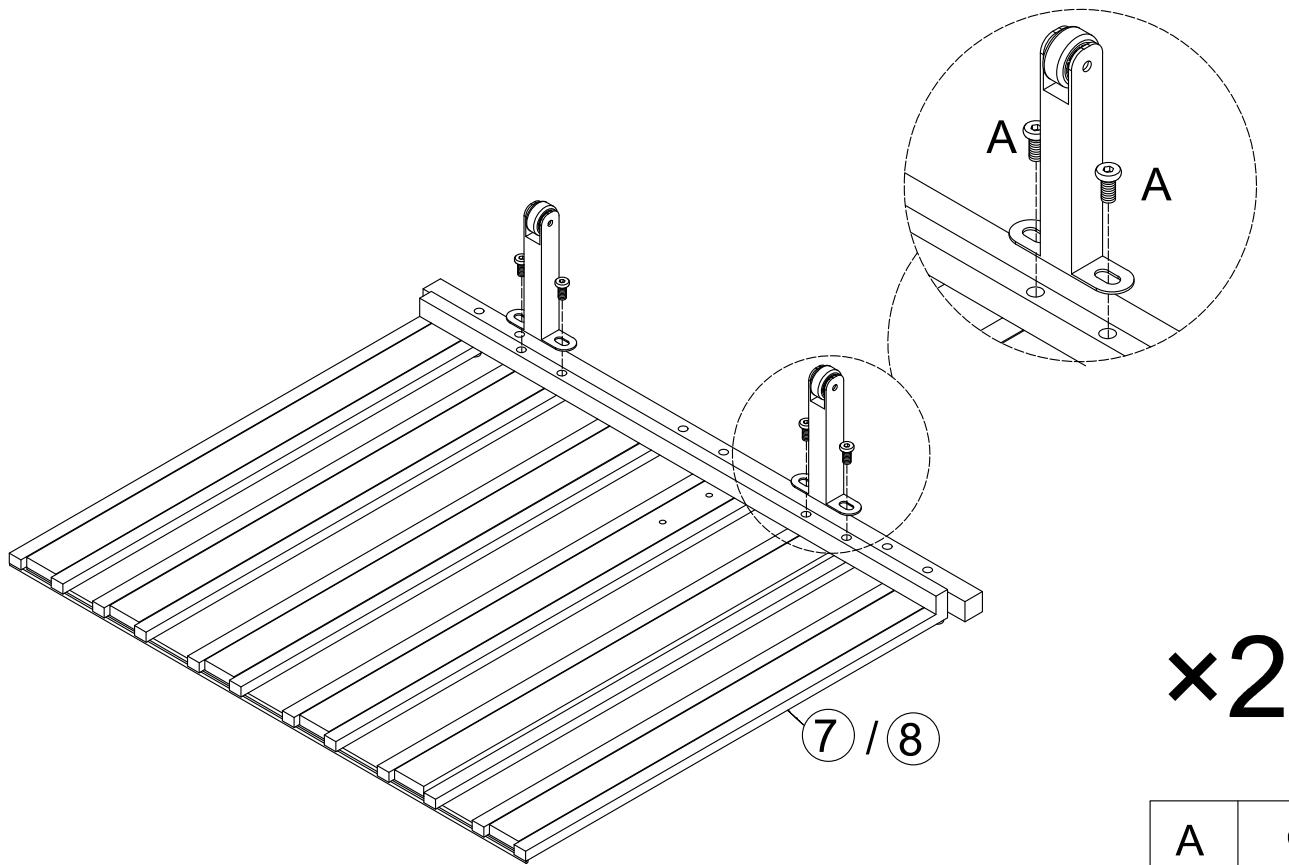
## Step 14

Use screw K (M6 \* 35) and nut L (M6) to install part M (wheel) onto part 14 (support leg).



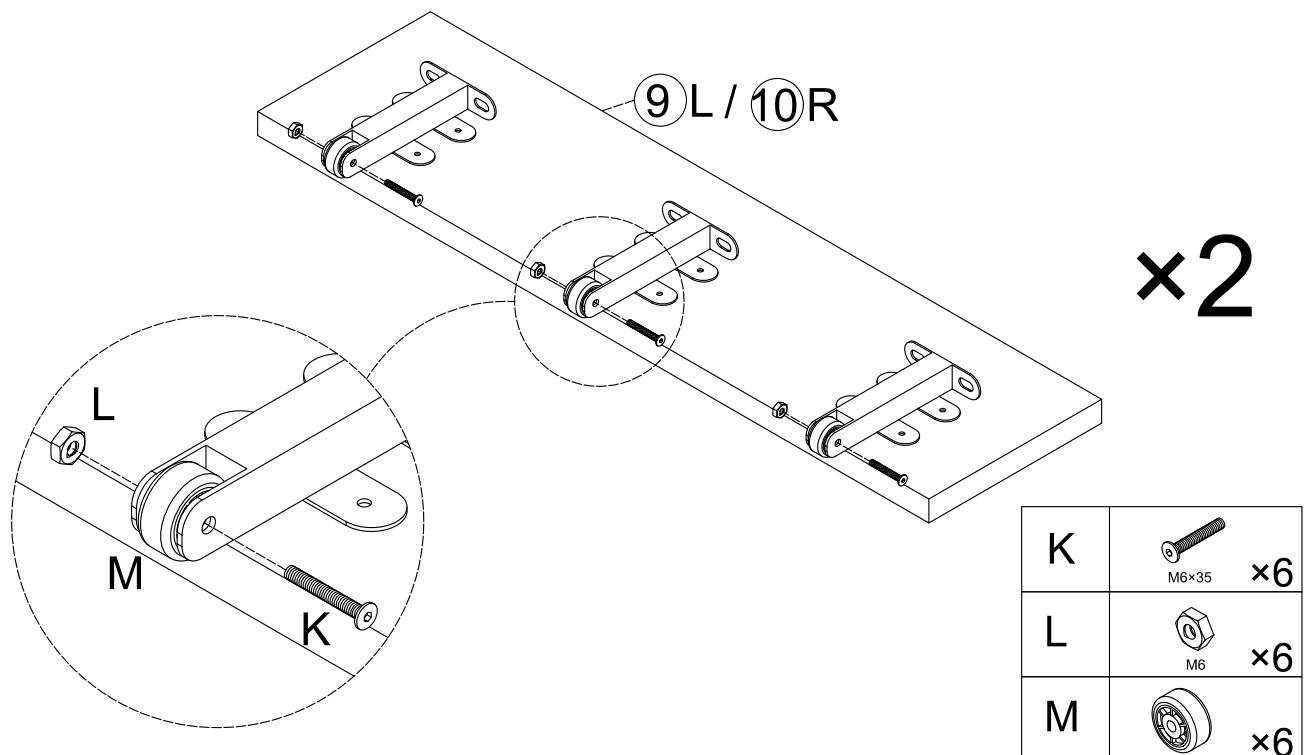
## Step 15

Use screw A (M8 \* 20) to install the support leg that was installed in step 14 onto frames 7 and 8.



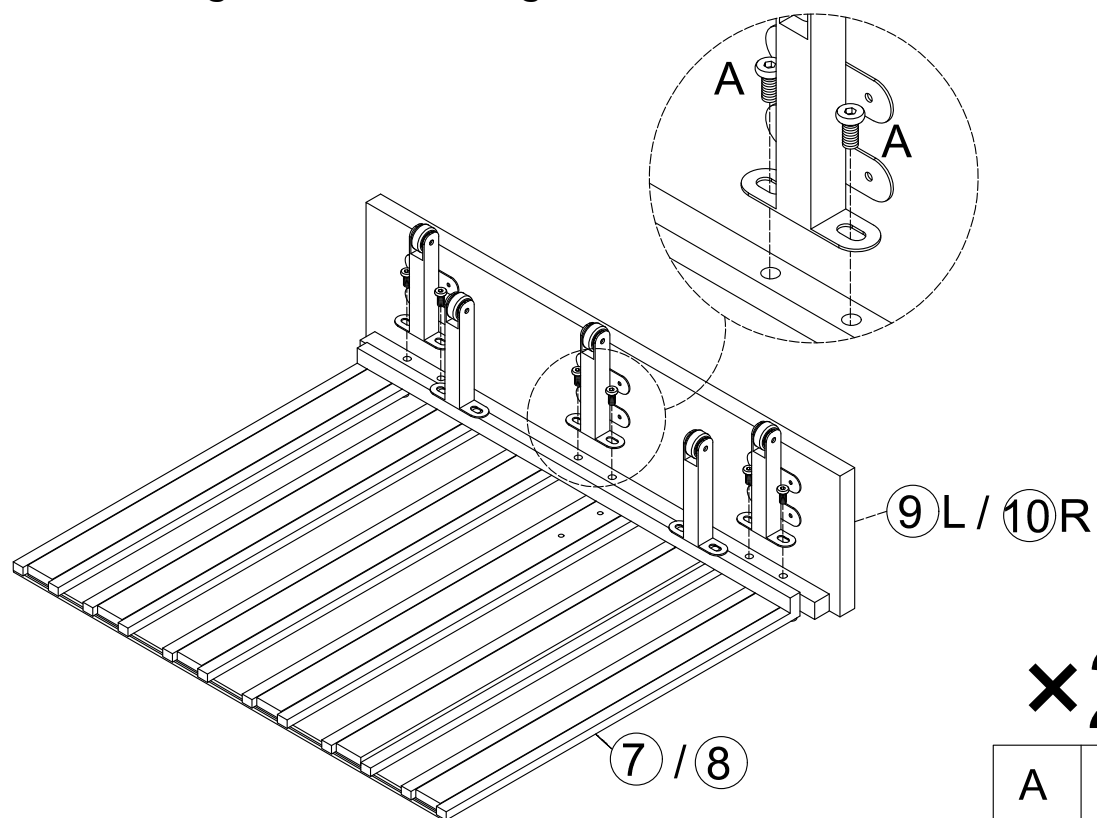
## Step 16

Install component M (wheel) onto part 9 and 10 using screw K (M6 \* 35) and nut L (M6).

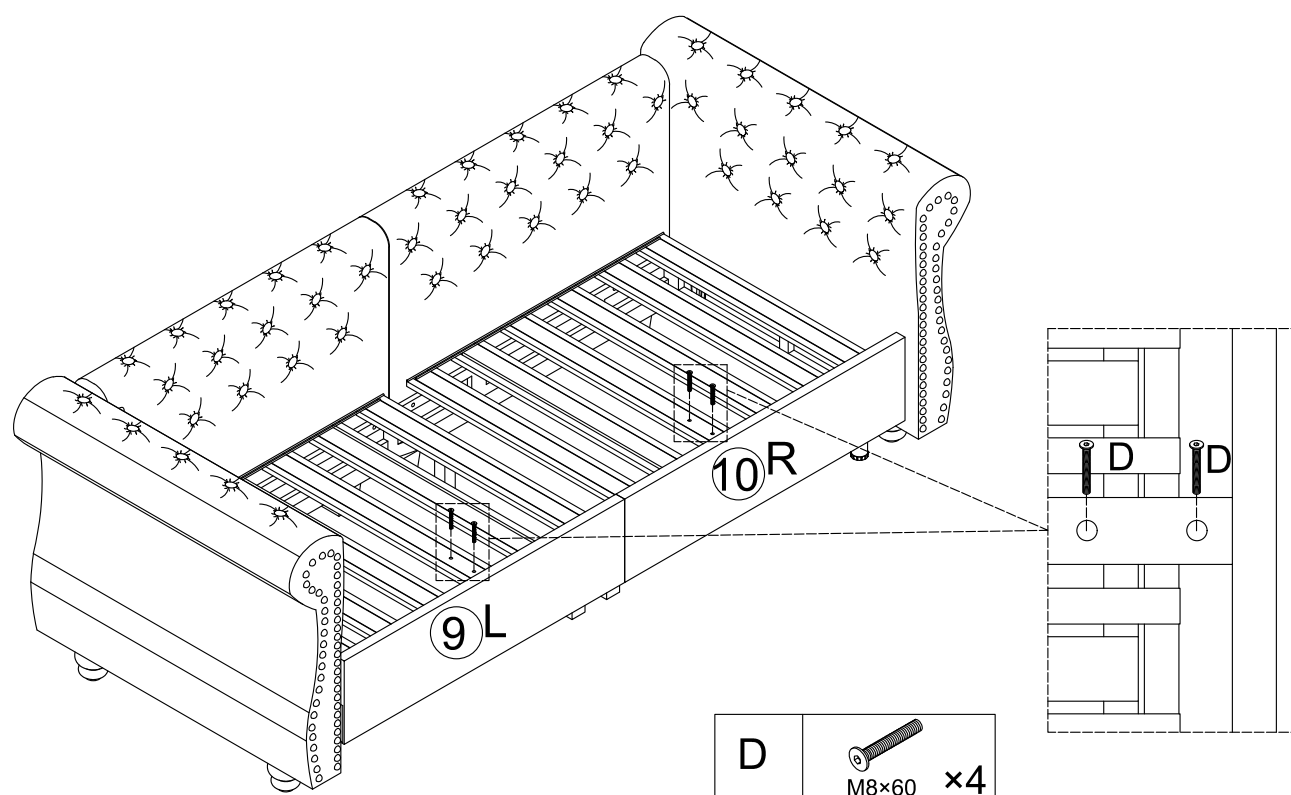


## Step 17

Use screw A (M8 \* 20) to install Part 9/10 onto frame 7/8 (note to distinguish left and right when facing the sofa).

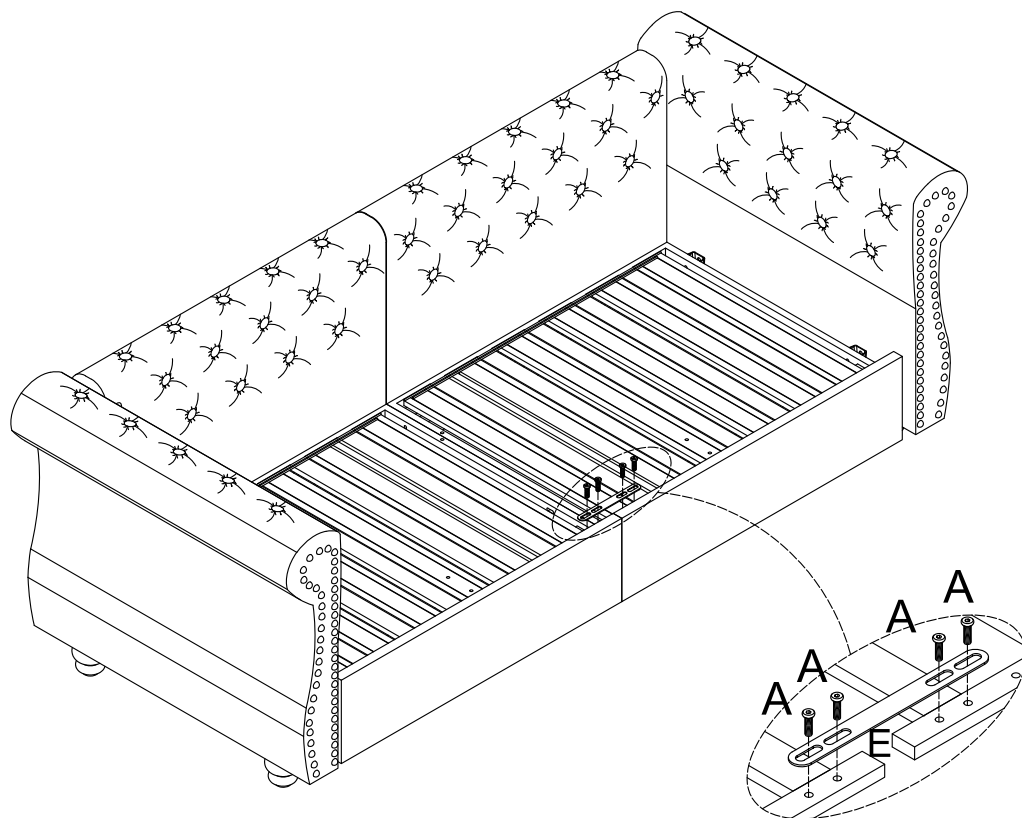




## Step 18



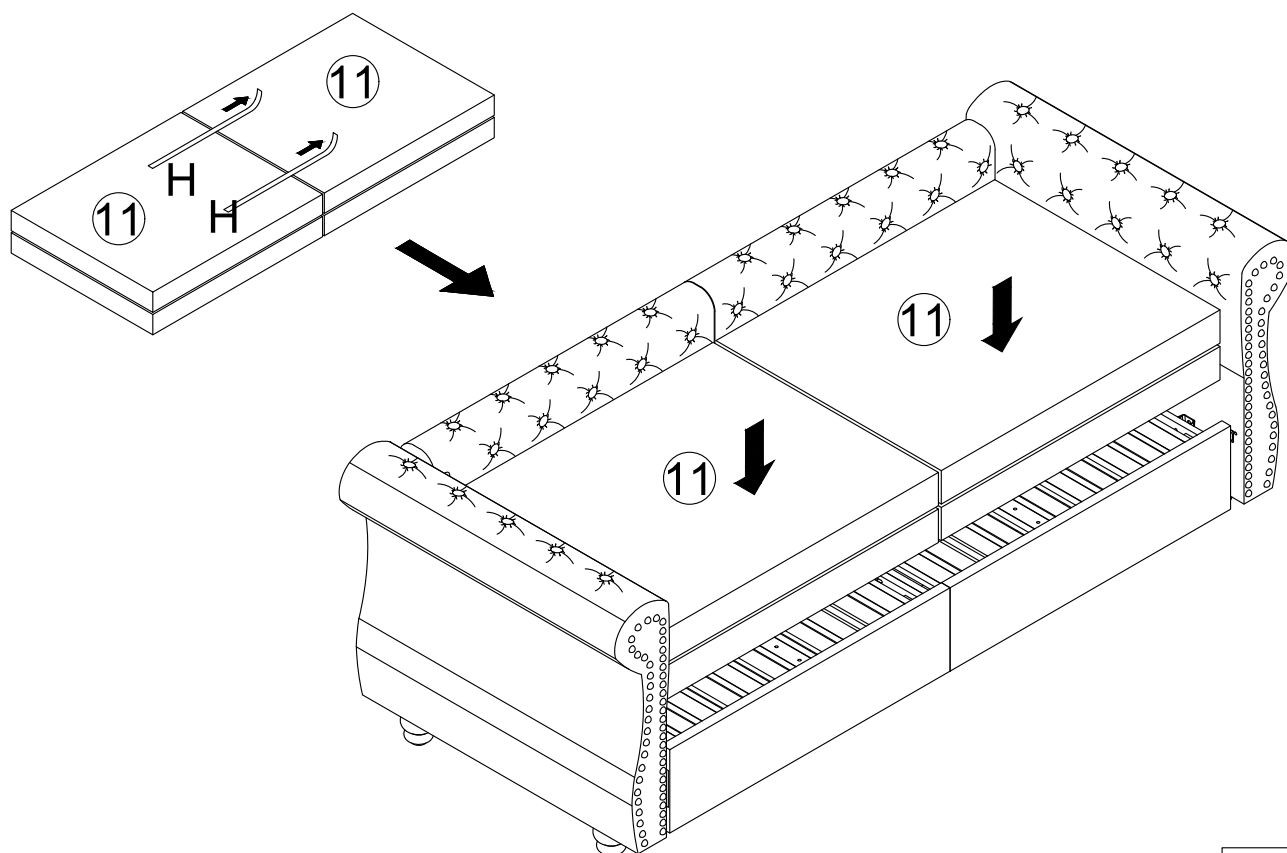
## Step 19


Install part N onto part 7 and 8 using screw A (M8 \* 20).



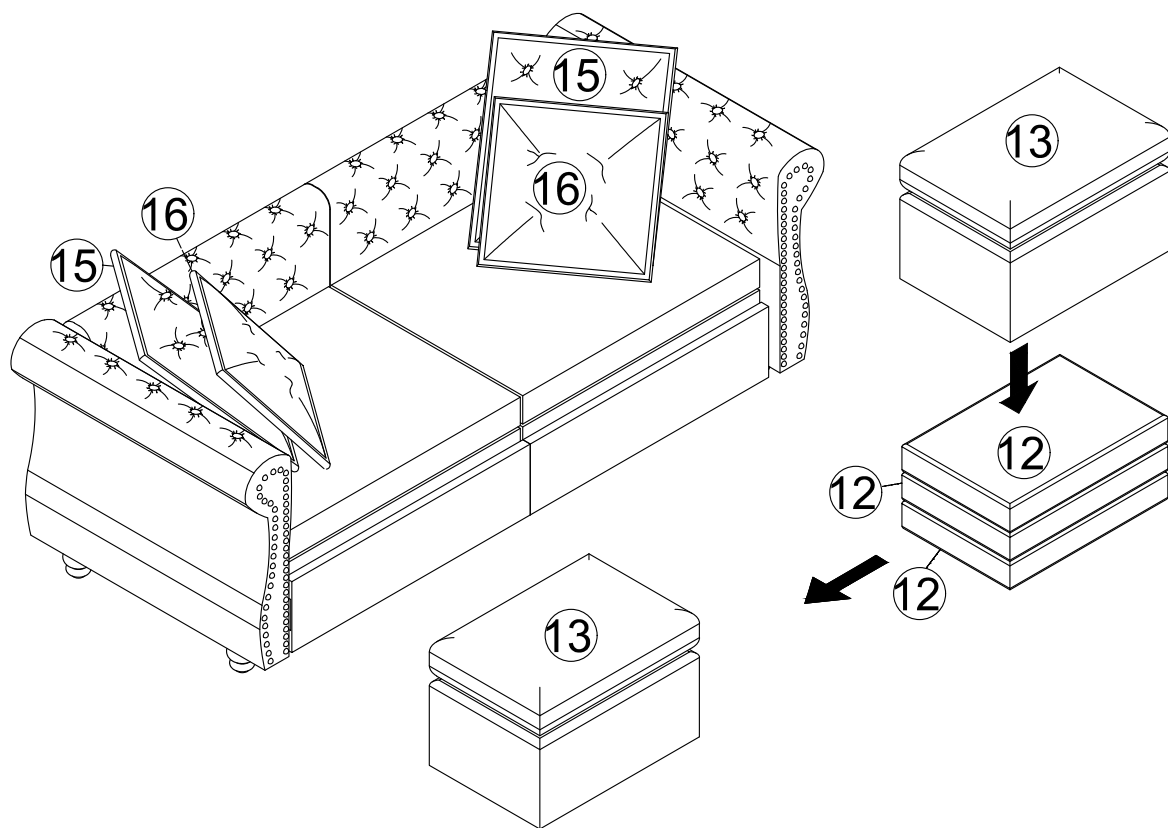
A	 M8*20	x4
E		x1

## Step 20



H		x2
---	---	----

## Step 21



## Step 22

