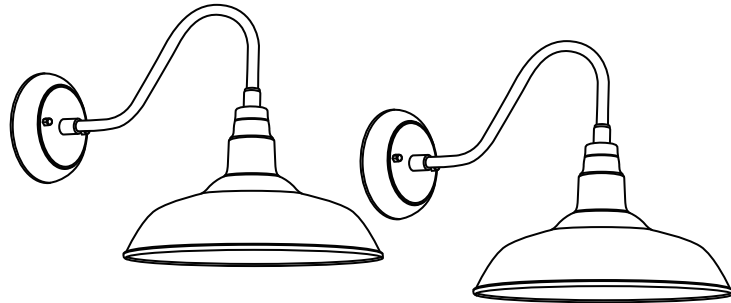
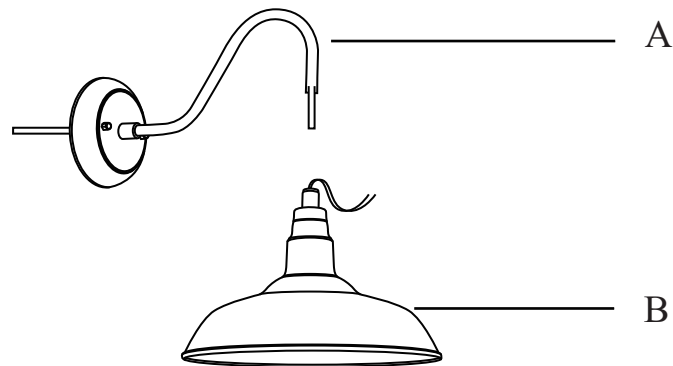


Instruction Manual

Outdoor Wall Sconce



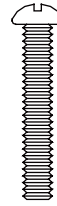
PACKAGE CONTENTS



PART	DESCRIPTION	QUANTITY
A	Fixture	2
B	Shade	2

HARDWARE CONTENTS(shown actual size)

AA



Long
mounting x 4
screw

BB



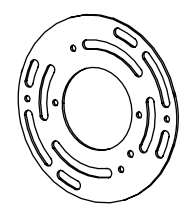
Wire nut x 6

CC



Long
mounting x 4
screw

DD



Crossbar
(Not actual size) x 2

! SAFETY INFORMATION

Please read and understand this entire manual before attempting to assemble, operate or install the product.

! WARNING

- TURN OFF ELECTRICITY at main fuse box (or circuit breaker box) before beginning installation by removing fuse (or switching off circuit breaker).
- MINIMUM 90°C SUPPLY CONDUCTORS.

PREPARATION

Before beginning assembly of product, make sure all parts are present. Compare parts with package contents list and hardware contents list. If any part is missing or damaged, do not attempt to assemble the product.

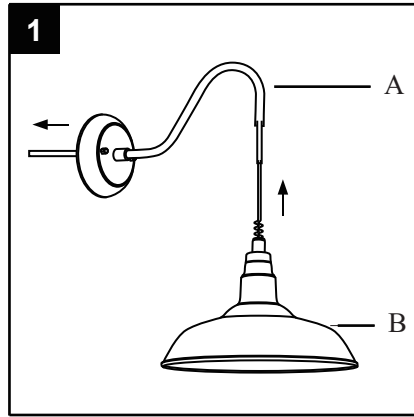
Estimated Assembly Times: 25 minutes

Tools Required for Assembly (not included): Flathead screwdriver , Phillips screwdriver, Pliers, Electrical tape, Wire cutters, Safety glasses.

Helpful Tools (not included): Wire strippers, Step ladder.

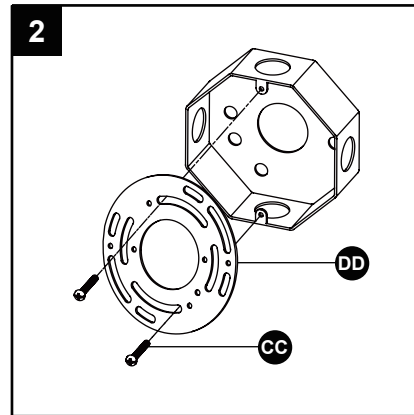
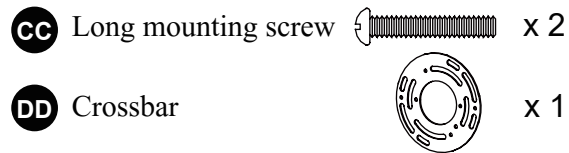
ASSEMBLY INSTRUCTIONS

1. Insert cord into the white sleeve until it gets stuck and then pull out the white sleeve from back plate to fish the cord through. (Then you could throw away the white sleeve which only function is to fish the cord through)

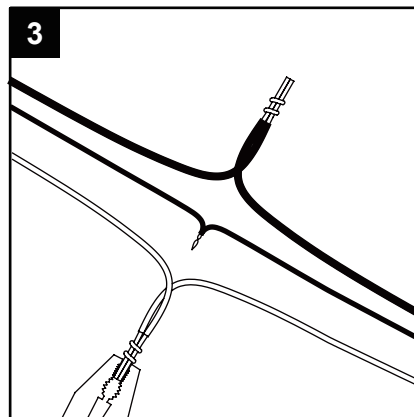


2. Attach the crossbar (DD) to the outlet box (not included) with the long mounting screws (CC).

Hardware Used



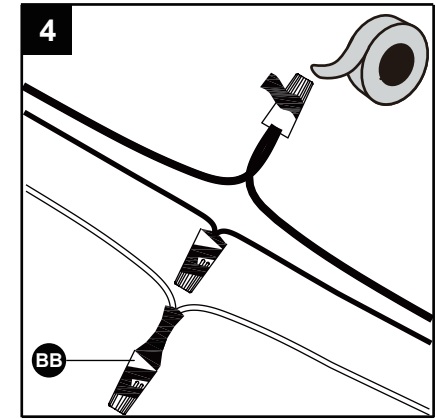
3. Strip 3/4 in. of insulation from wire ends. Twist stripped ends together with pliers (not included), black to black (power) and white to white (neutral). Attach copper wire to ground wire. Helpful hint: If necessary, attach copper ground wire to grounded outlet box.



ASSEMBLY INSTRUCTIONS

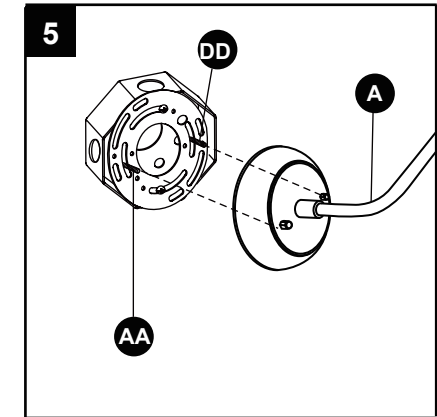
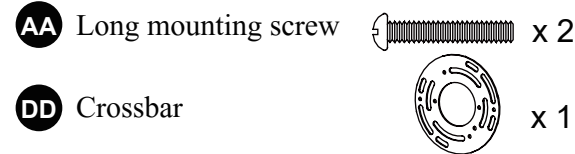
4. Attach wire nuts (BB). Tape wire nuts (BB) and wires together.

Hardware Used



5. Align the 2 screws (AA) through the holes of the back plate, and fix them with screw nuts.

Hardware Used



6. Install light bulb (not included). Use one standard-base bulb or one standard-base CFL bulb.

