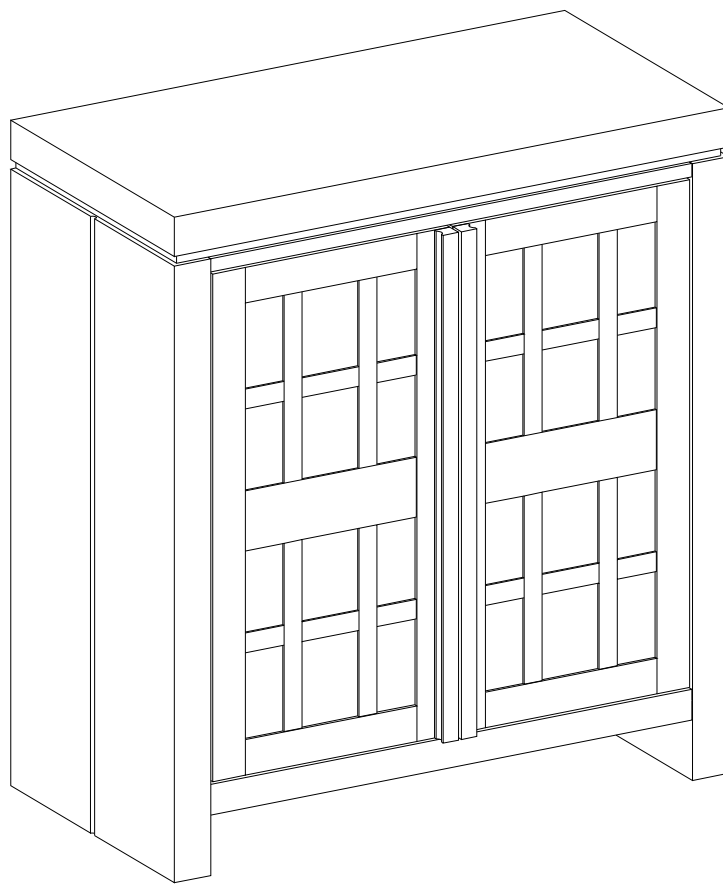


Windowpane Accent Cabinet



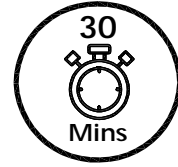
For Residential Use Only



Time to get started

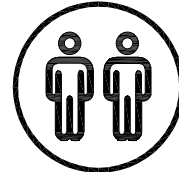
Set up a clean and soft workplace to get started and avoid damage during the assembly. It also helps to double-check that you've got all the pieces and parts before diving in to assembly.

Estimated time for assembly



People recommended for assembly

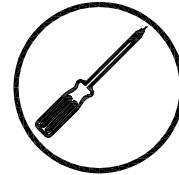
Make it a team effort! Grab a friend for quicker, easier assembly.



2 People Build

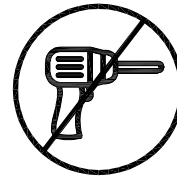
Tools Needed

Grab a Phillips head screwdriver to conquer this assembly



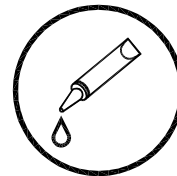
Use power tools with caution

You can cause cracking or damage to the material and easily strip the hardware. If you choose to use a power tool, your product will no longer be covered under Walker Edison's warranty.



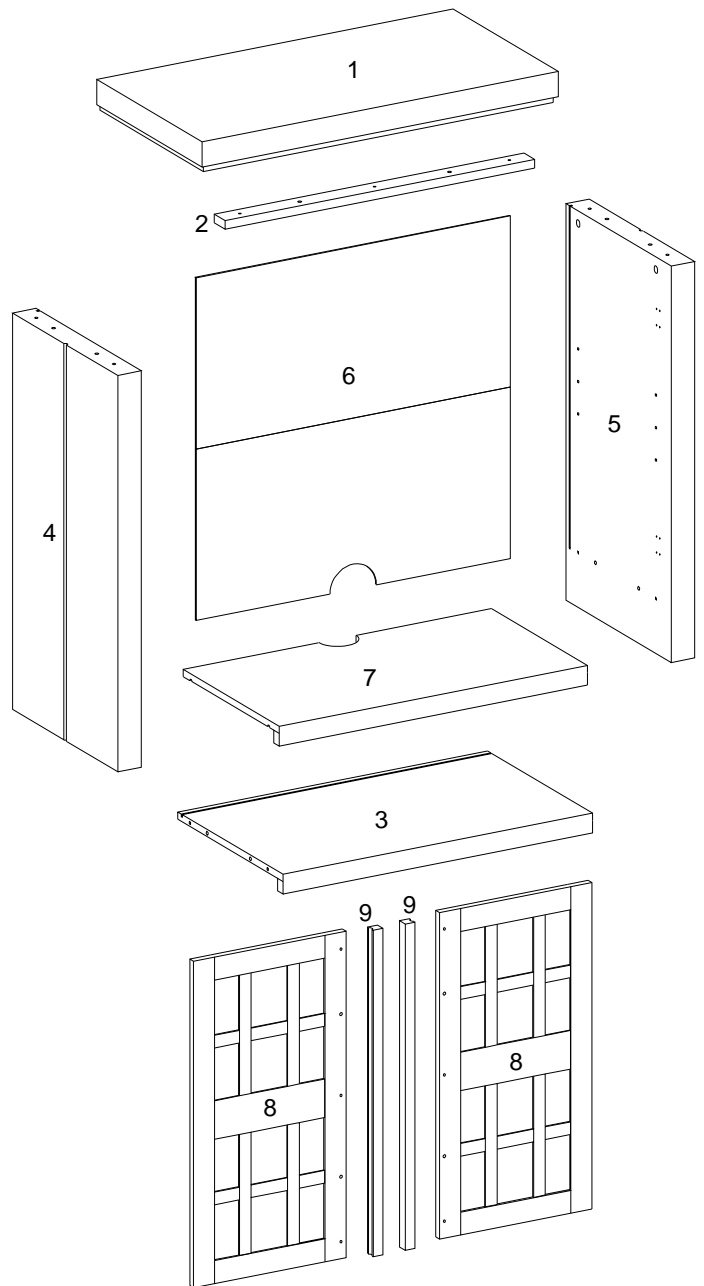
Glue is provided to secure wood dowels in place

When inserting dowels, locate the appropriate hole, place a small amount of glue in the hole, and then insert the dowel. Wipe away excess glue immediately.




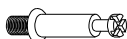








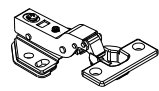
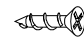
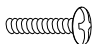
WE Parts List

Part Number	Description	Quantity
1	Top Panel	1
2	Top Rail	1
3	Bottom Panel	1
4	Left Side Panel	1
5	Right Side Panel	1
6	Back Panel	1
7	Adjustable Shelf	1
8	Door Panel	2
9	Handle	2



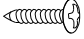




Hardware List

Part	Size	Name	Quantity
A	 8x30mm	Wooden dowel	10
B	 6x35mm	Cam bolt	8
C	 15x11mm	Cam lock	8
D	 30mm	Sticker	8
E	 6x20mm	Wooden dowel	4
F	 4x25mm	Screw	3
G		Plastic wedge	10
H	 3x17mm	Screw	10
J	 8x5x16mm	Shelf support pin	4
K	 12x2mm	Rubber pad	2
L	 26mm	Hinge	4
M	 3.5x15mm	Screw	24
N	 4x20mm	Handle Bolt	6



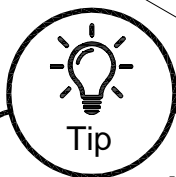
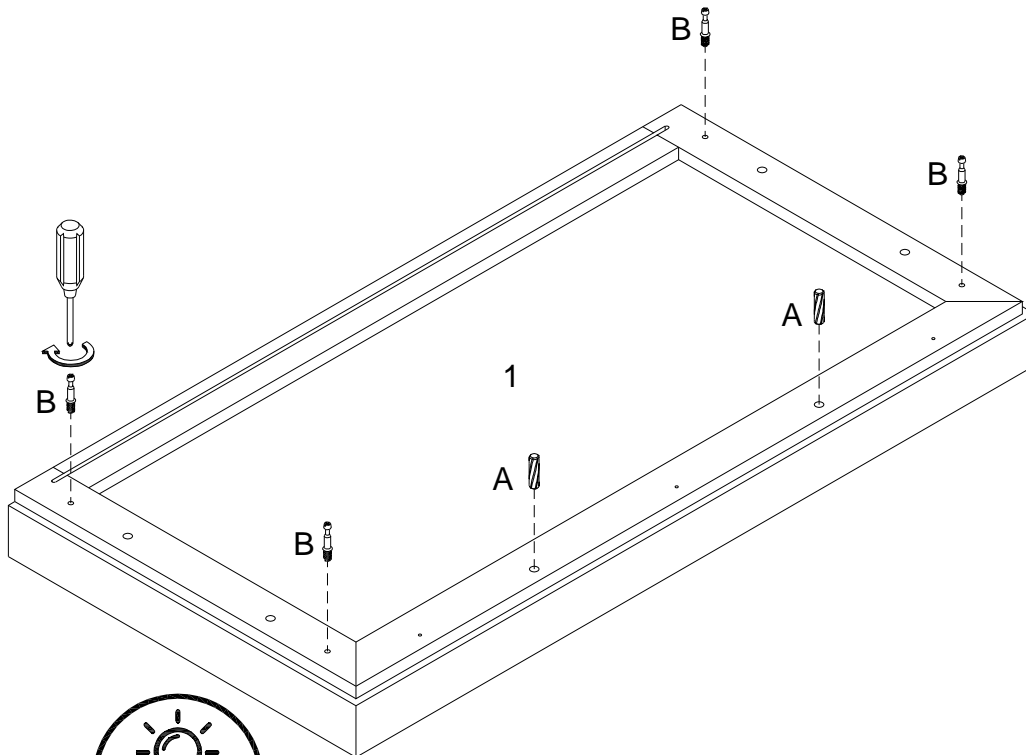
Hardware List

Part	Size	Name	Quantity
P	 4x12mm	Screw	1
Q	 4x25mm	Screw	1
R		Plastic strap	1
S		Wall Anchor	1
T		Glue tube	2

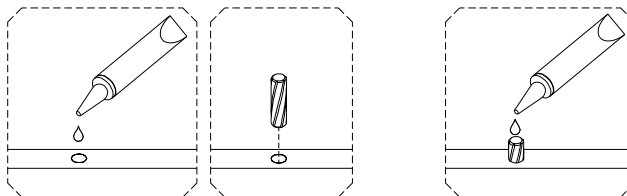
*The hardware quantities listed above are required for proper assembly.
Extra hardware pieces may be included.*

Step 1

Let's get started! Using a screwdriver, screw cam bolts (B) into the Top Panel (1). Next, insert wooden dowels (A).



Tip

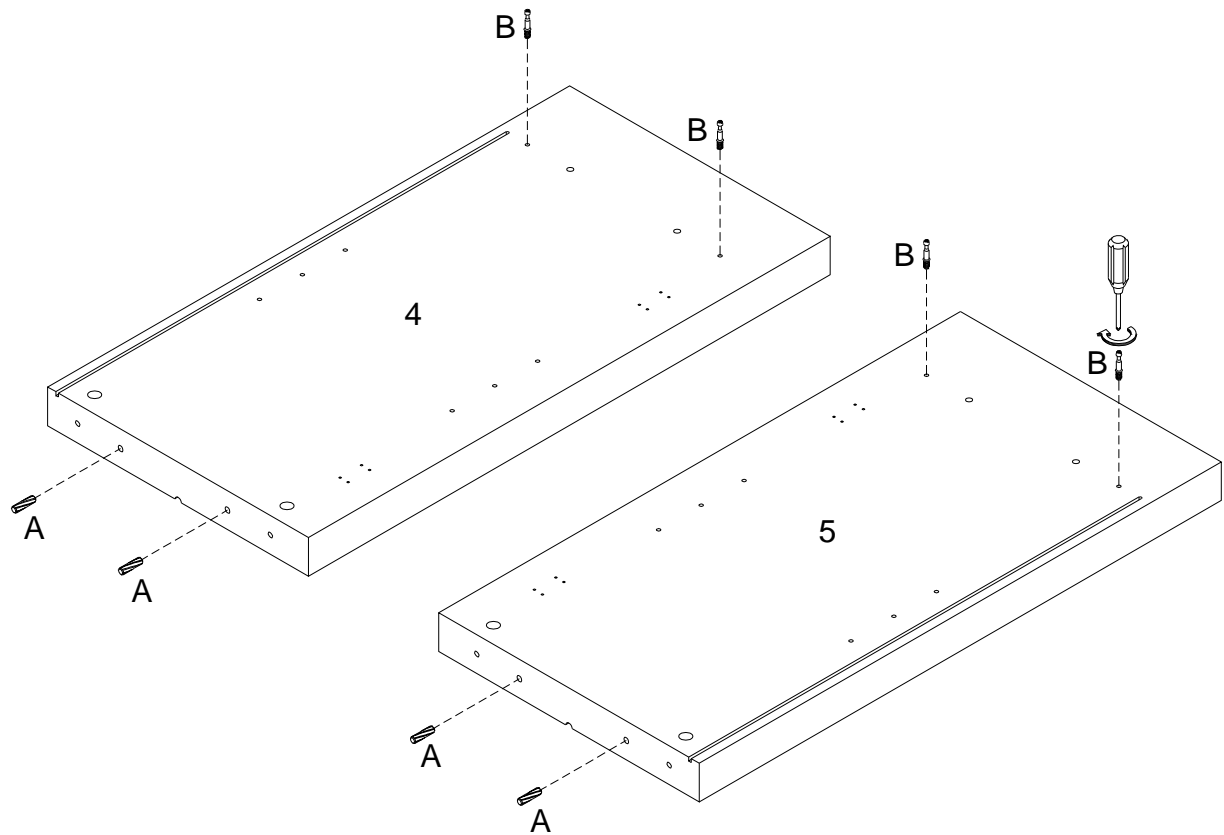


1: The provided glue is to secure wood dowels in place. When first inserting dowels, locate the appropriate hole for the dowel, place a small amount of glue in the hole and insert the dowel. Wipe away excess glue immediately.

2: In future assembly steps when dowels are necessary to attach assembly parts together, place a small amount of glue on the end of the dowel before attaching parts together. Wipe away excess glue immediately.

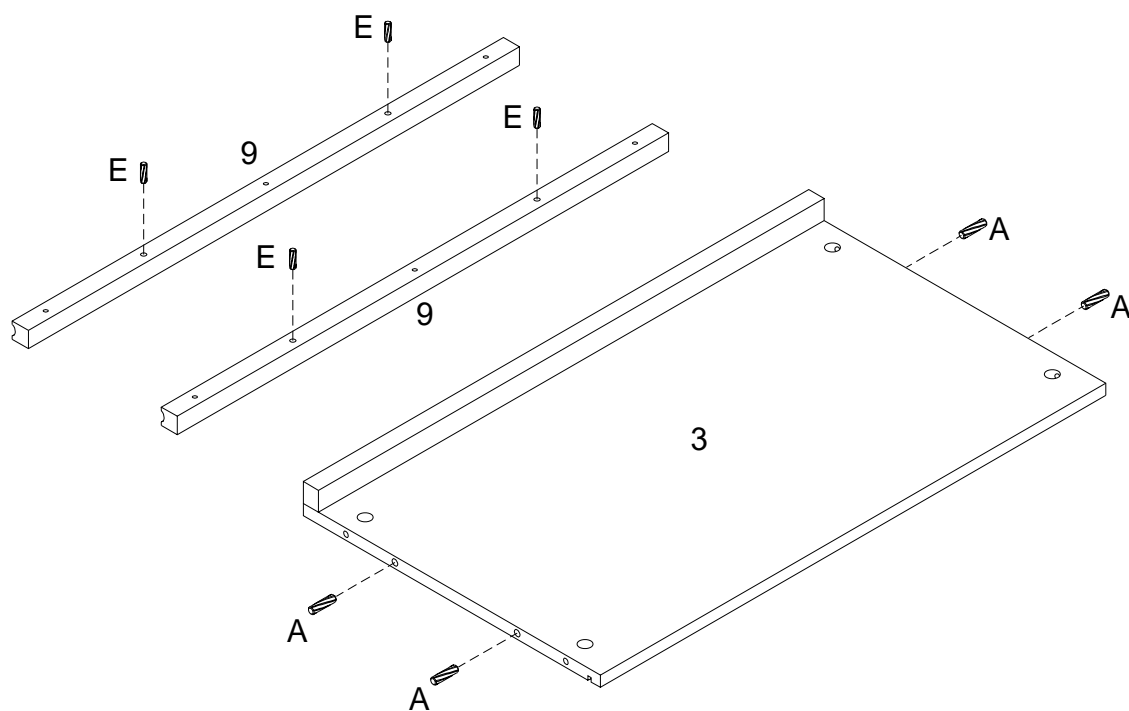
Step 2

Insert wooden dowels (A) and cam bolts (B) into the Left Side Panel (4) and the Right Side Panel (5).



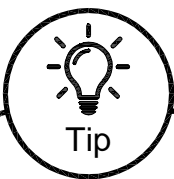
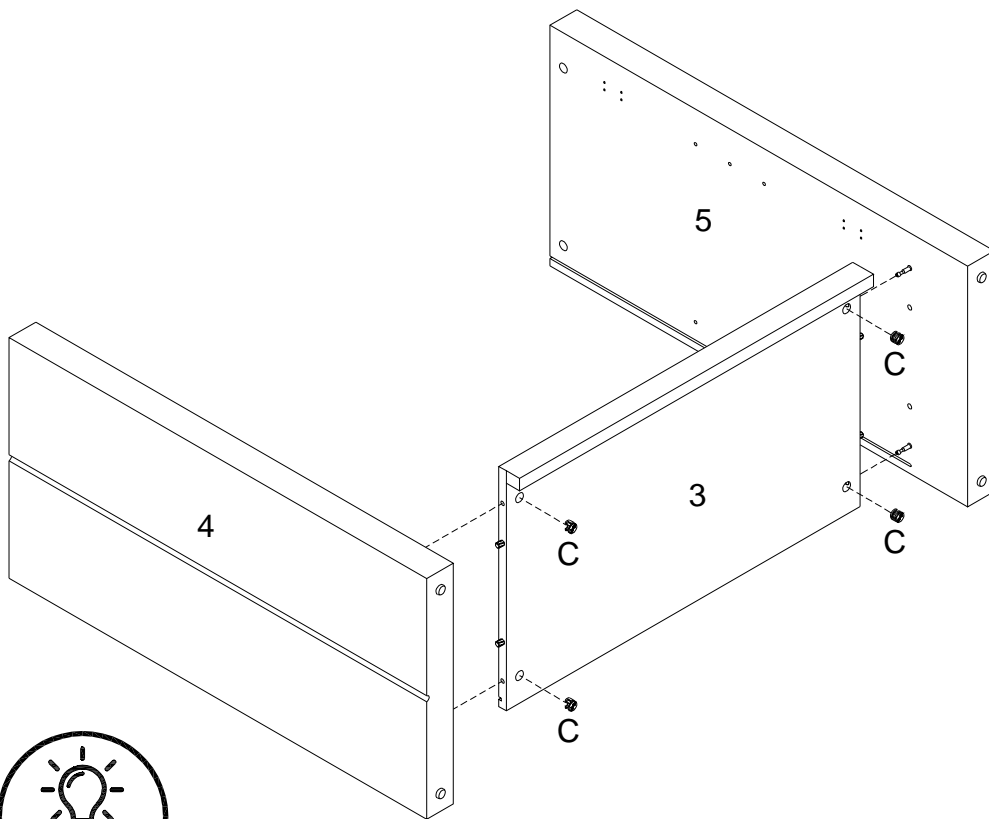
Step 3

Insert wooden dowels (E) into both Handles (9). Then, insert wooden dowels (A) into the Adjustable Shelf (3).



Step 4

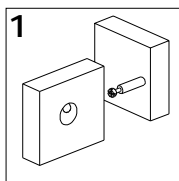
Connect the Left Side Panel (4) and the Right Side Panel (5) to the Bottom Panel (3) via the cam bolts. Insert cam locks (C) and tighten with a screwdriver.



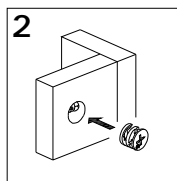
Tip

Cam Locks

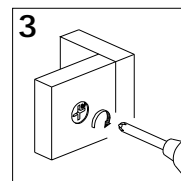
Cam Locks help securely join two pieces together.
Follow these easy steps.



1: Insert Cam Bolt into bolt holes on the flat side. Don't over tighten!



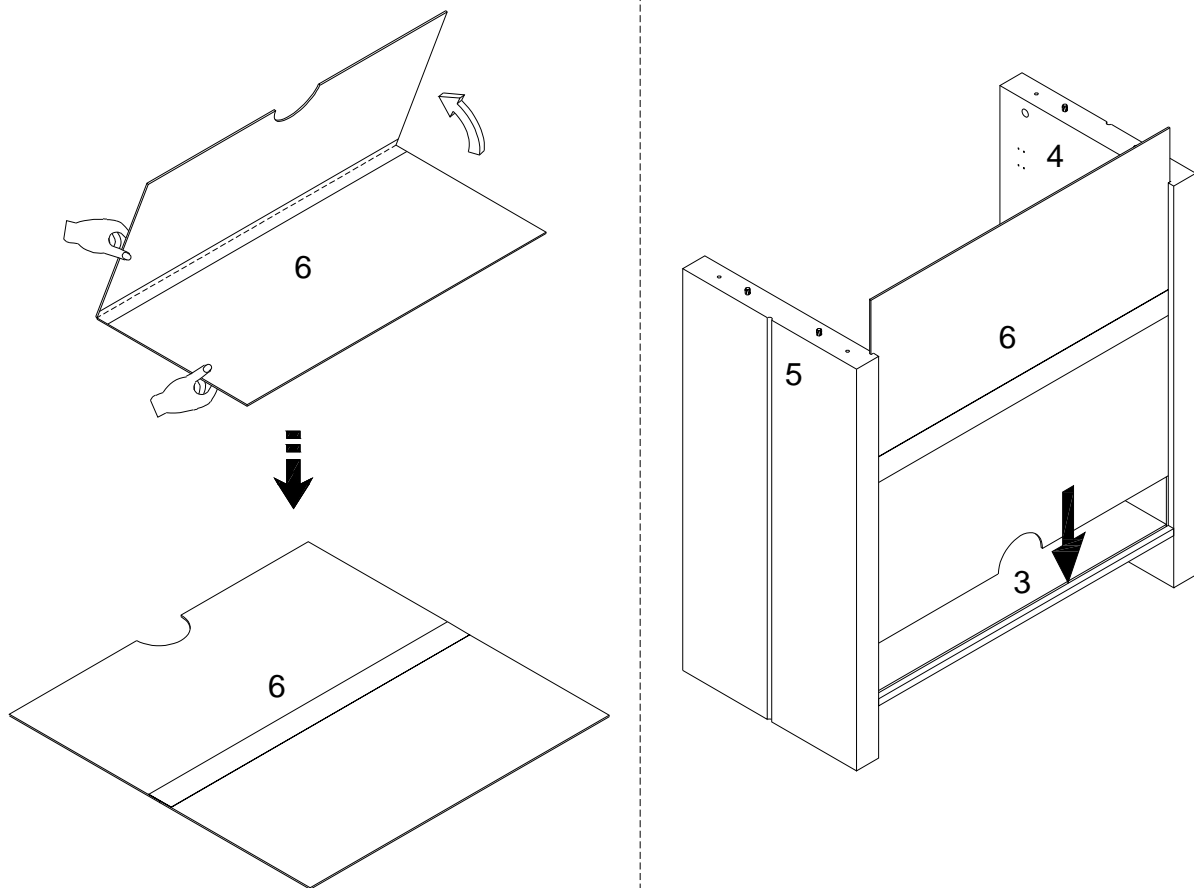
2: Fit the proper holes on the edge of the other part over the Cam Bolts. You should be able to see the cam bolts through the larger hole on the side.



3: On the back of the Cam Lock will be a "C" shape. Insert the Cam Lock so the opening of the "C" fits over the Cam Bolt. Tighten with the screwdriver.

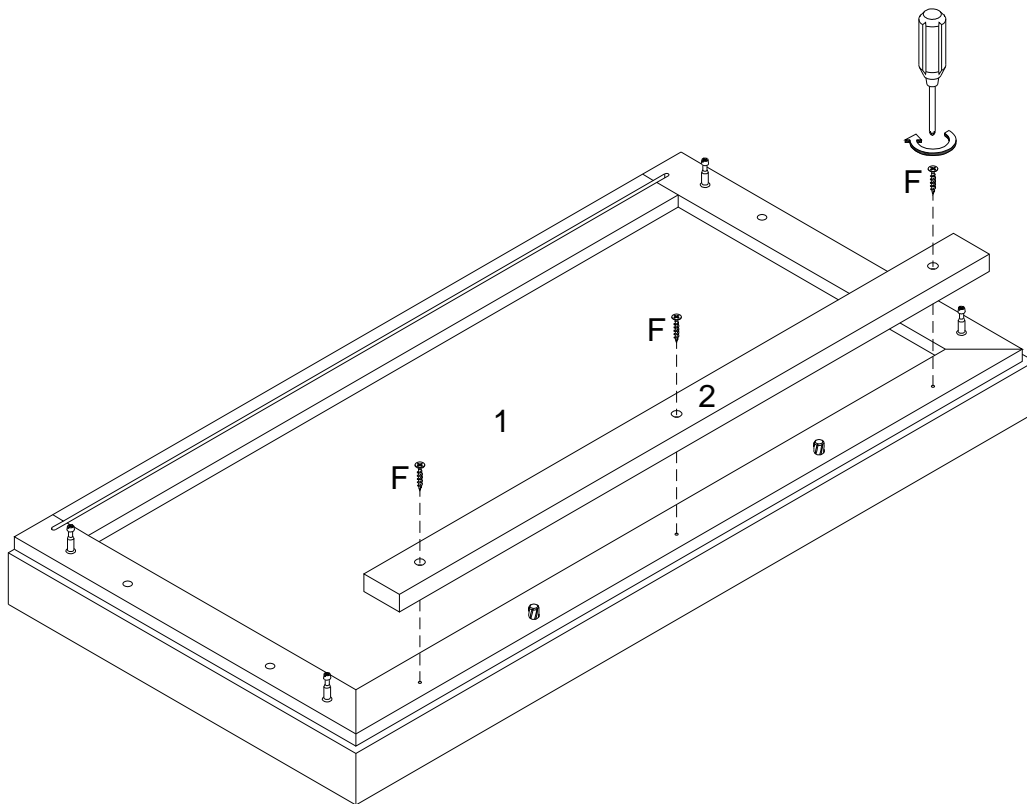
Step 5

Unfold the Back Panel (6) and slide into place using the grooves in the Left Side Panel (4), Right Side Panel (5), and the Bottom Panel (3).



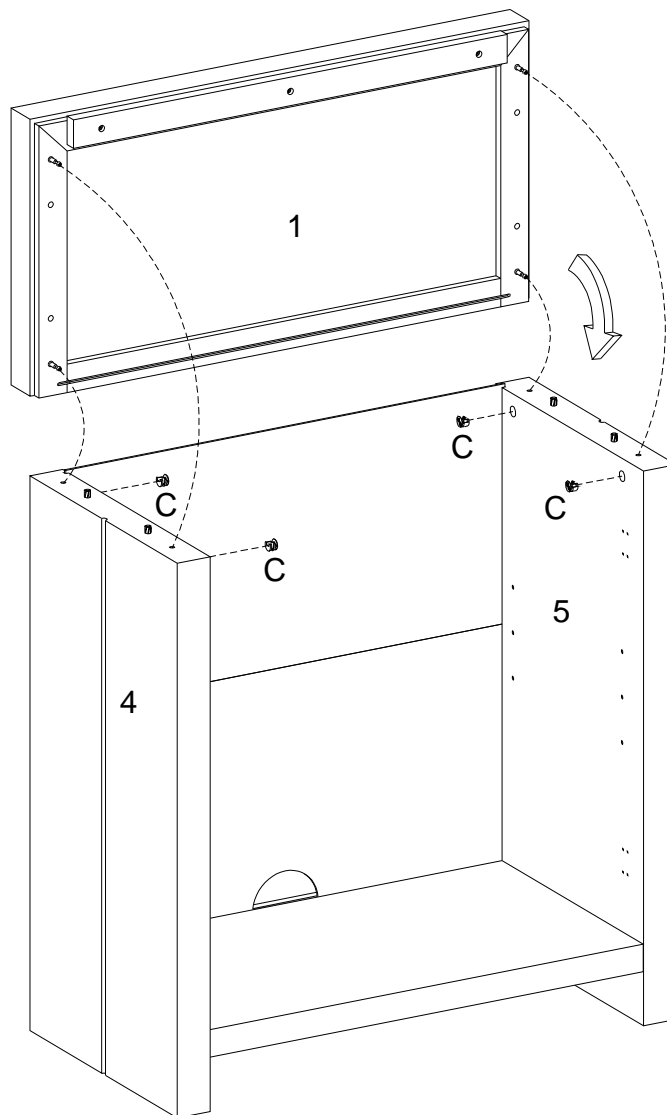
Step 6

Secure the Top Rail (2) to the Top Panel (1) using the (F) screws.



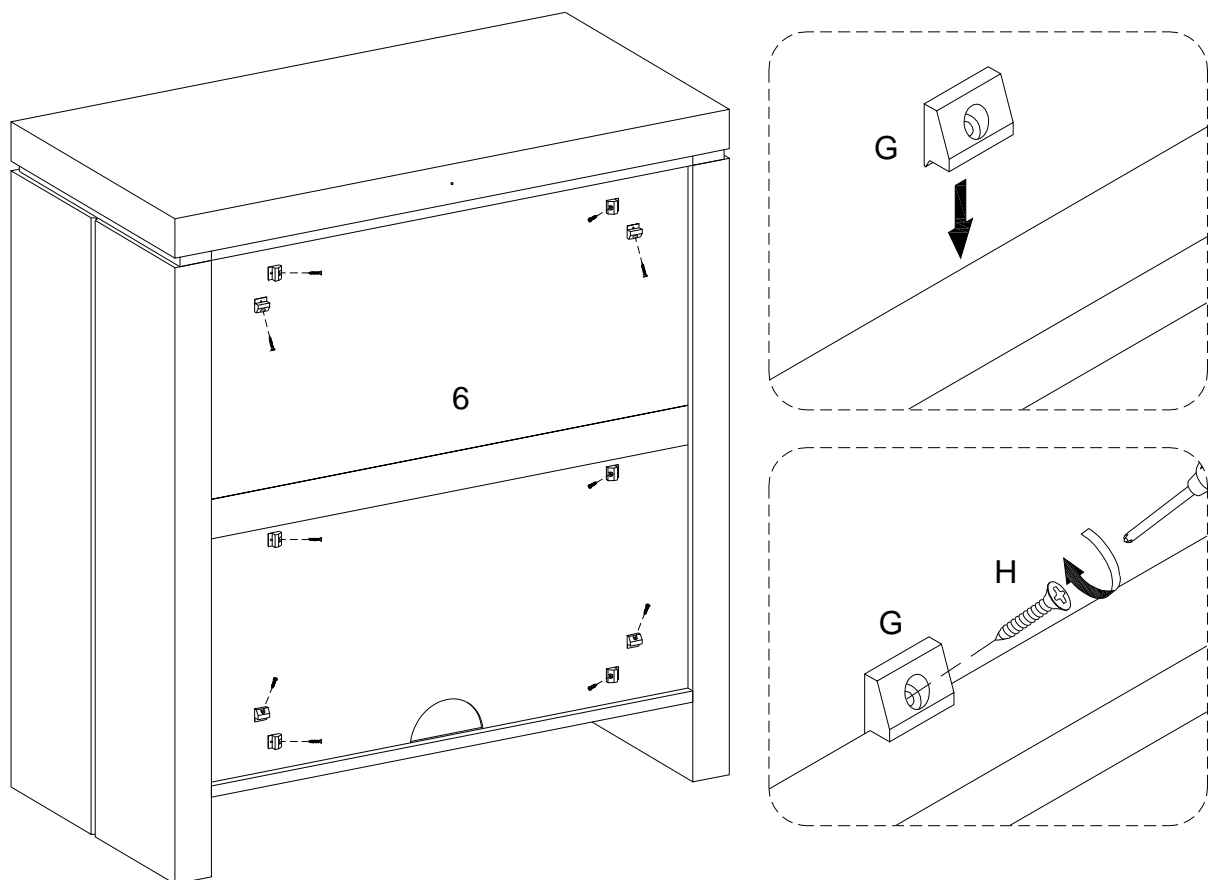
Step 7

Attach the Top Panel (1) to the Left Side Panel (4) and the Right Side Panel (5). Insert cam locks (C) and tighten with a screwdriver.



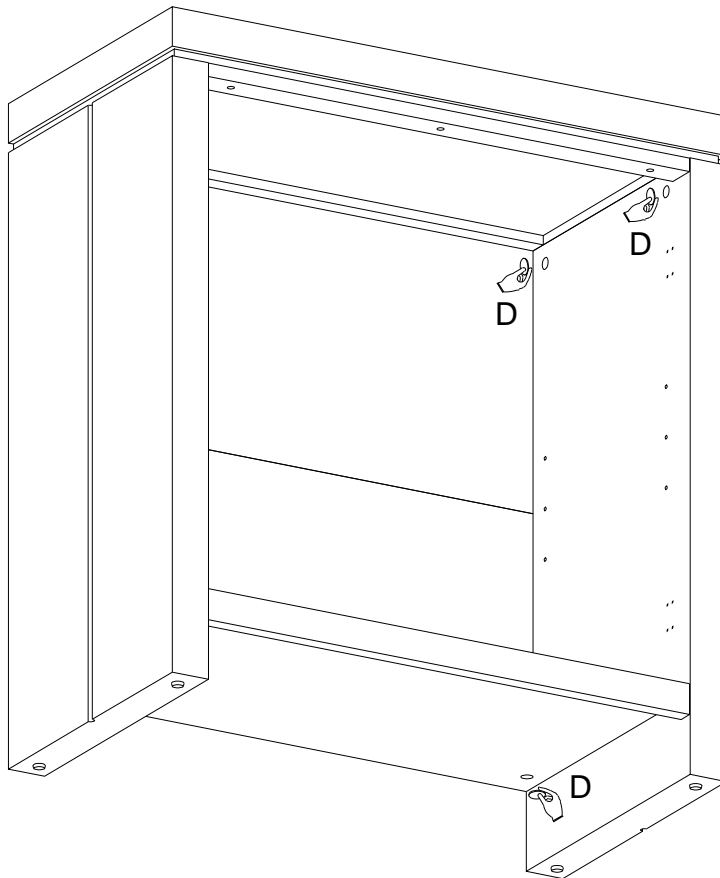
Step 8

Insert the plastic wedges (G) in between the Back Panel (6) and the frame of the accent cabinet. Secure them in place using the (H) screws.



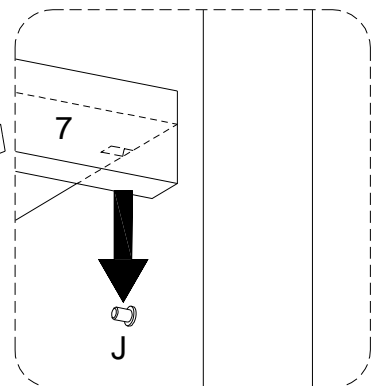
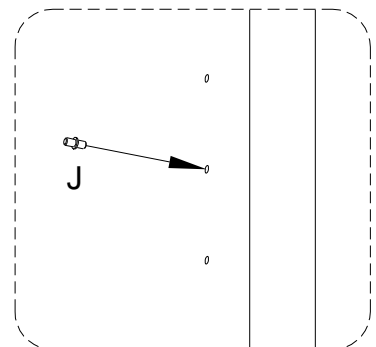
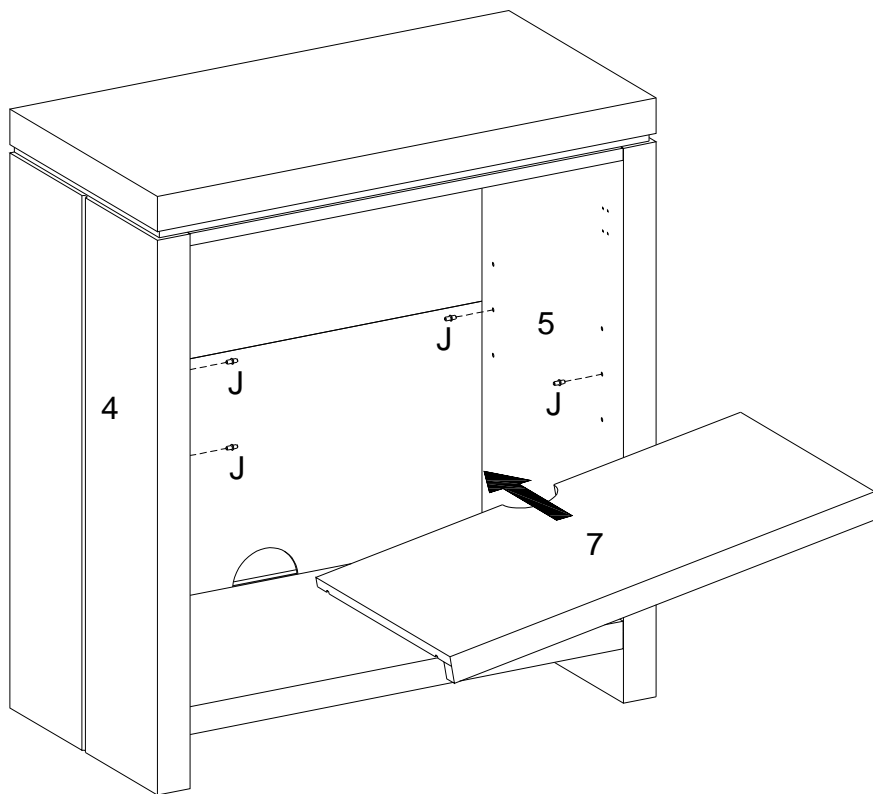
Step 9

Use the provided stickers (D) to cover each cam lock (C) and ensure a clean finish.



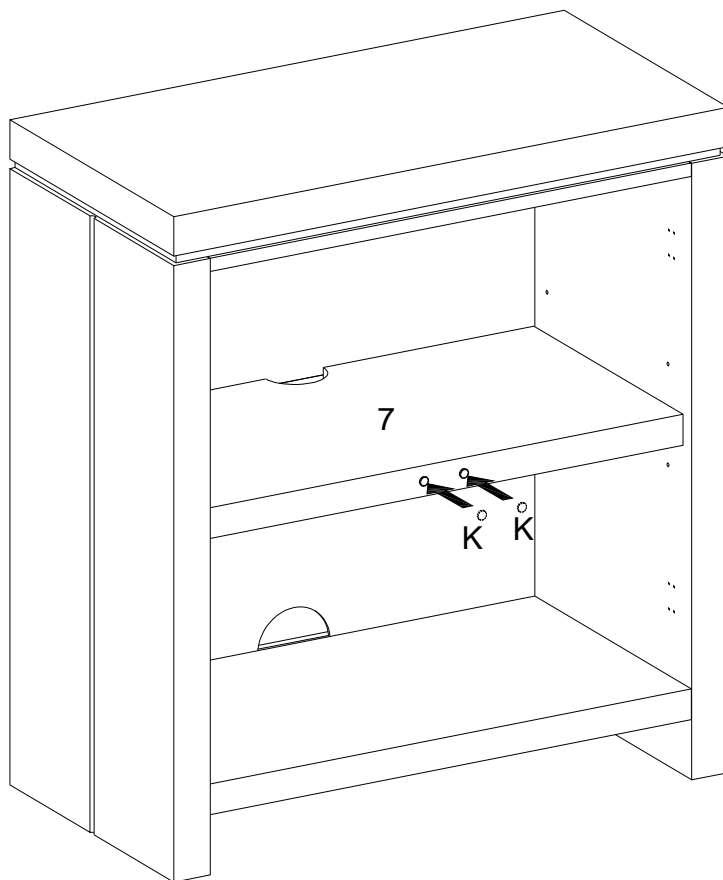
Step 10

Insert shelf support pins (J) and then insert the Adjustable Shelf (7), making sure the notch in the shelves match up with your shelf support pins (J).



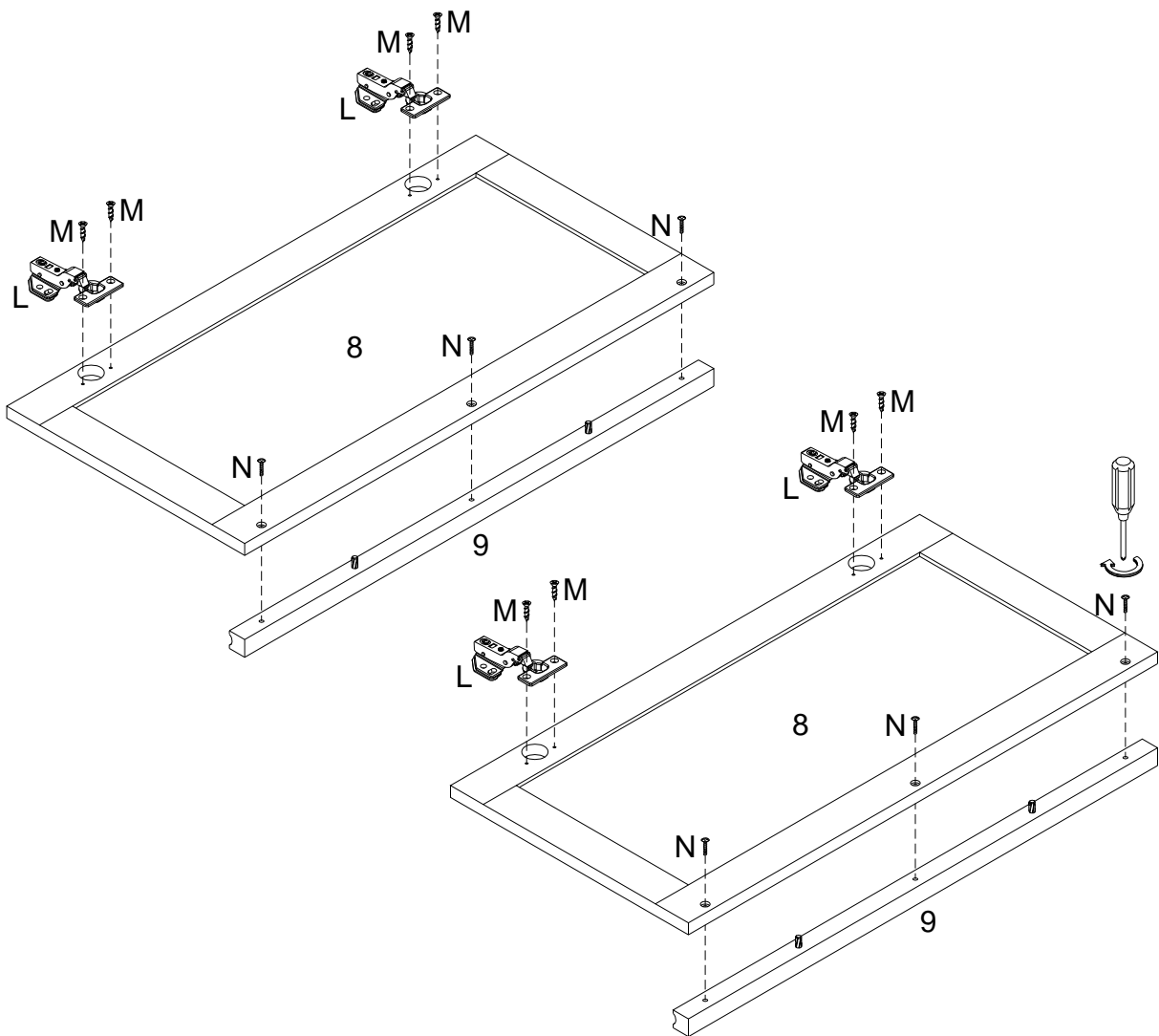
Step 11

Stick the rubber pads (K) onto the Adjustable Shelf (7).



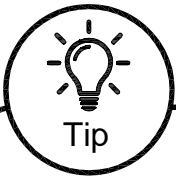
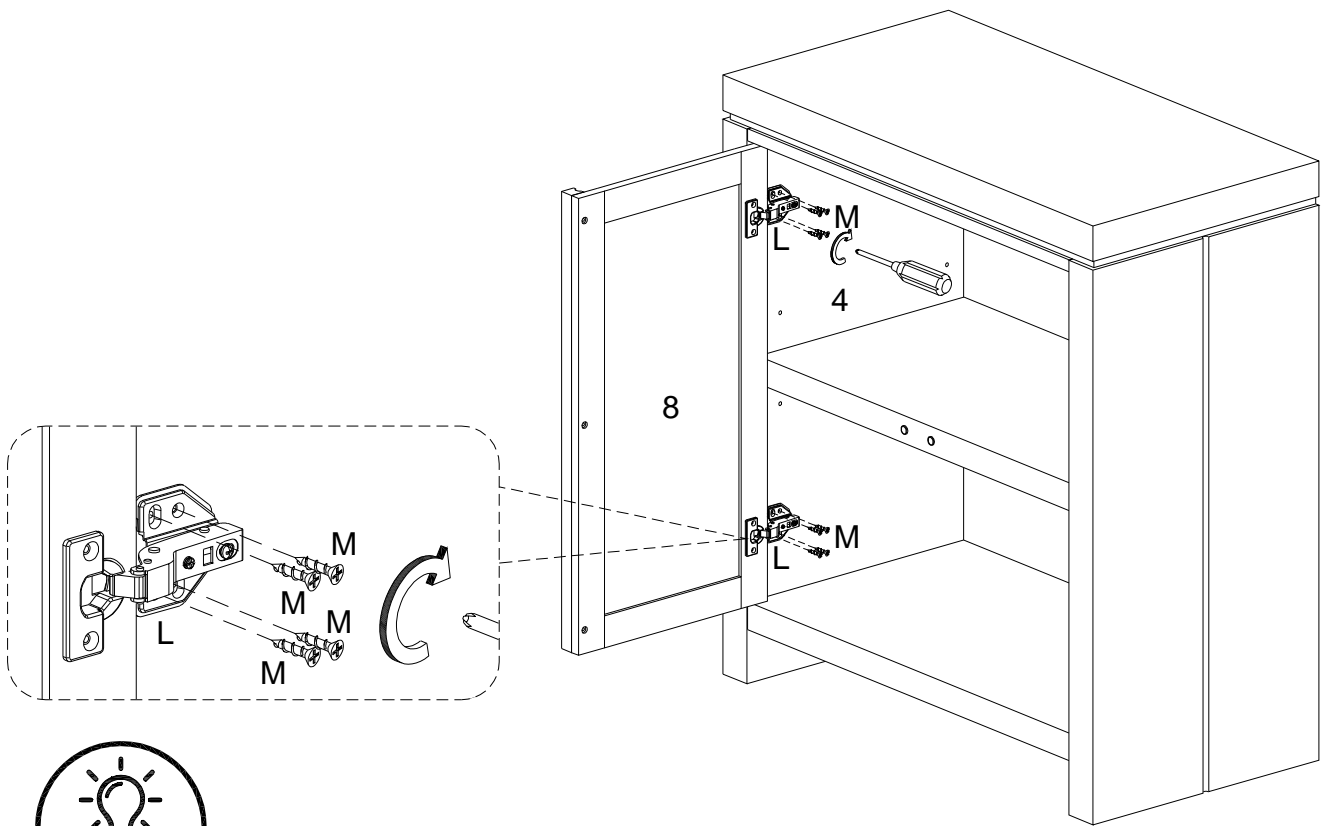
Step 12

Using the (M) screws, attach the hinges (L) to each Door Panel (8). Then, attach a handle (9) to each door using the handle bolts (N).

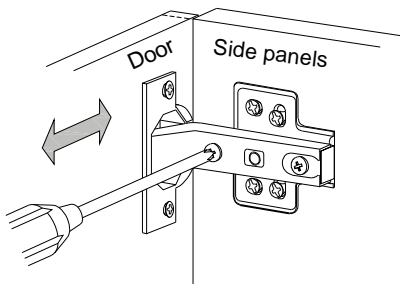


Step 13

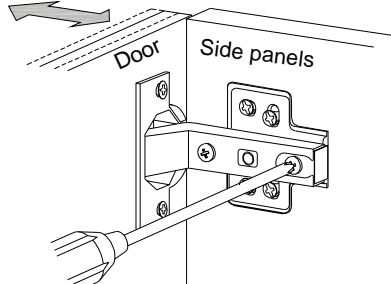
Secure the hinges (L) to the Left Side Panel (4) using the (M) screws.



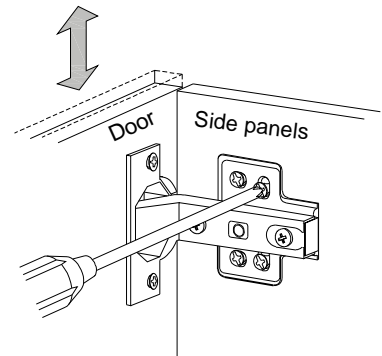
Adjusting The Cabinet Doors



Adjust horizontal width with this screw.



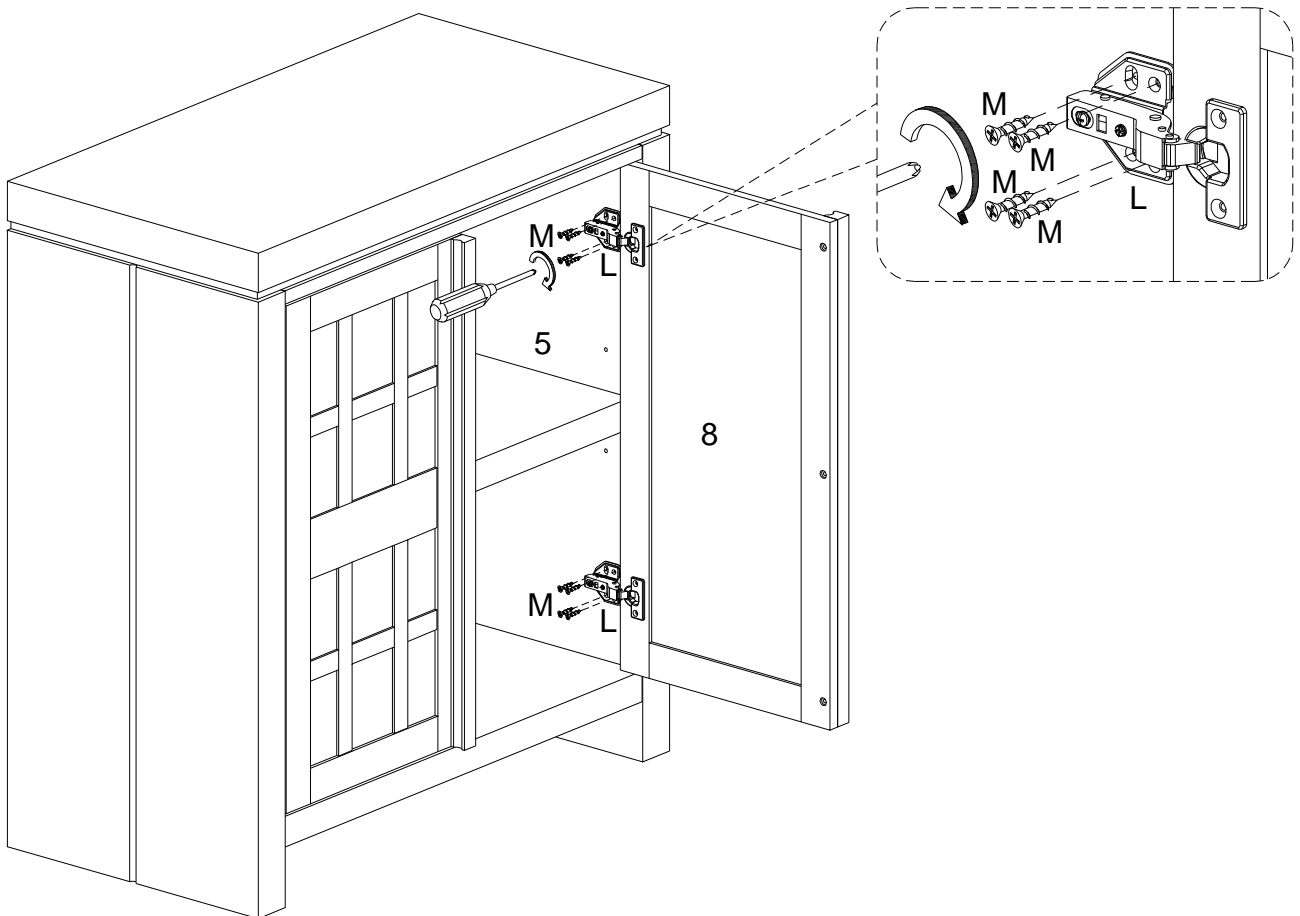
Adjust depth position by loosening the hinge arm mounting screw.



Adjust vertical height via the screws in the mounting plate.

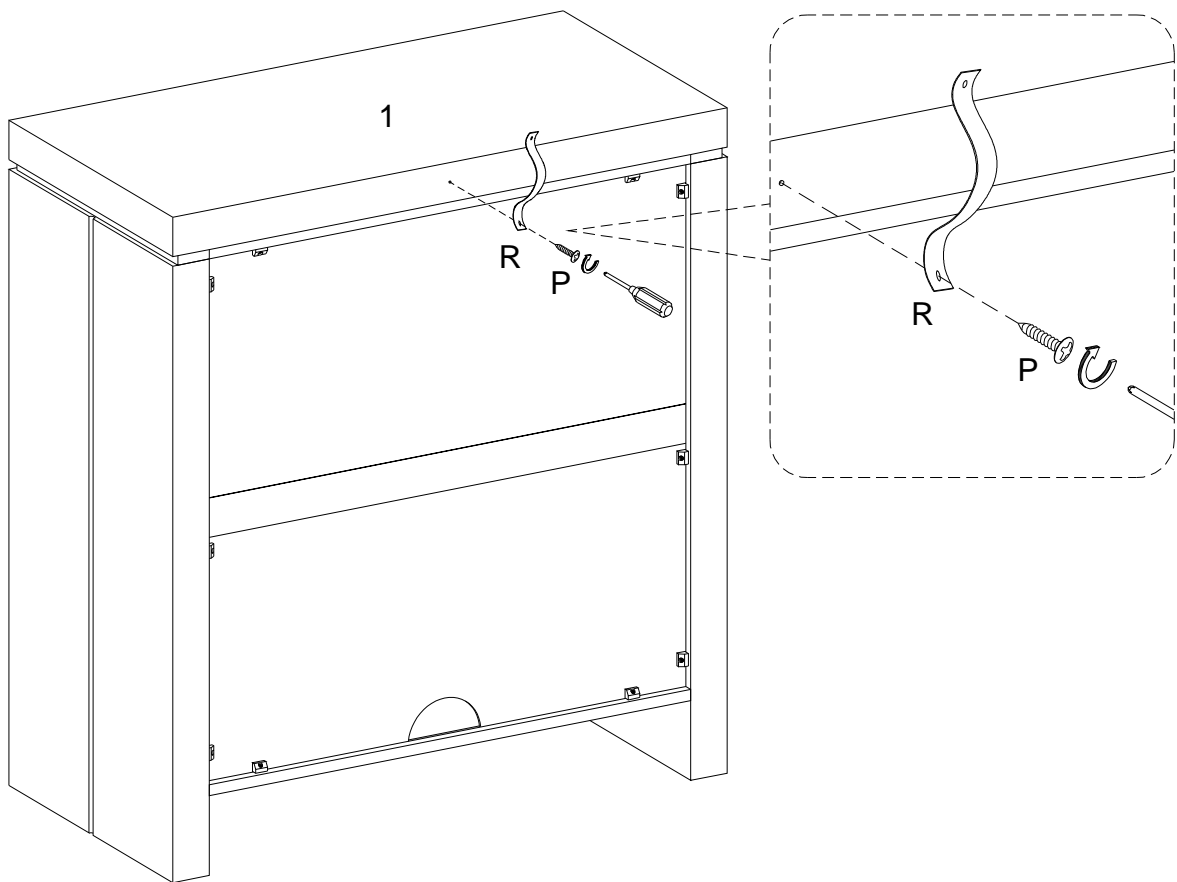
Step 14

Now, secure the hinges (L) to the Right Side Panel (5) using the (M) screws.



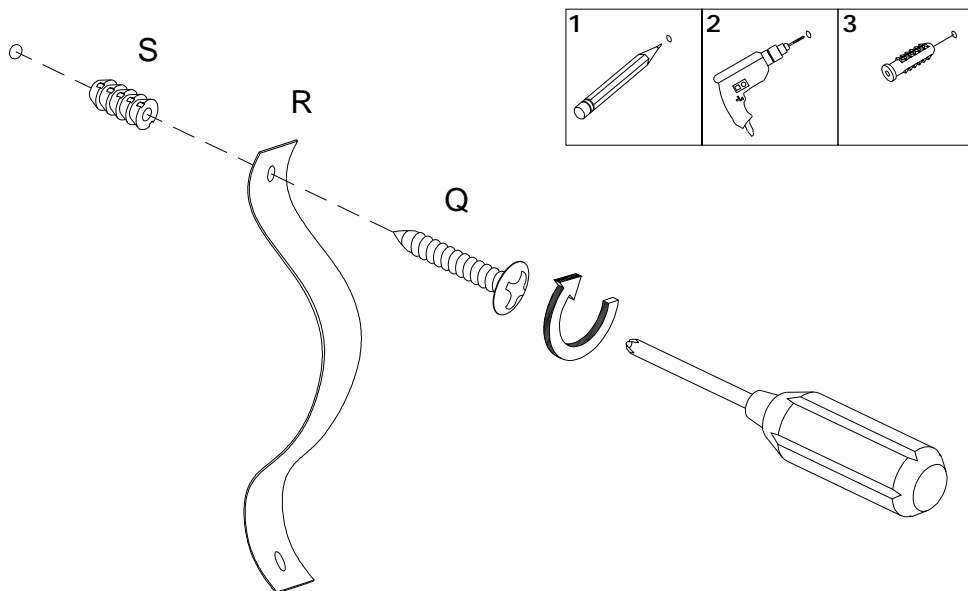
Step 15

Attach the plastic strap (R) to the back of the unit using the (P) screw.



Step 16

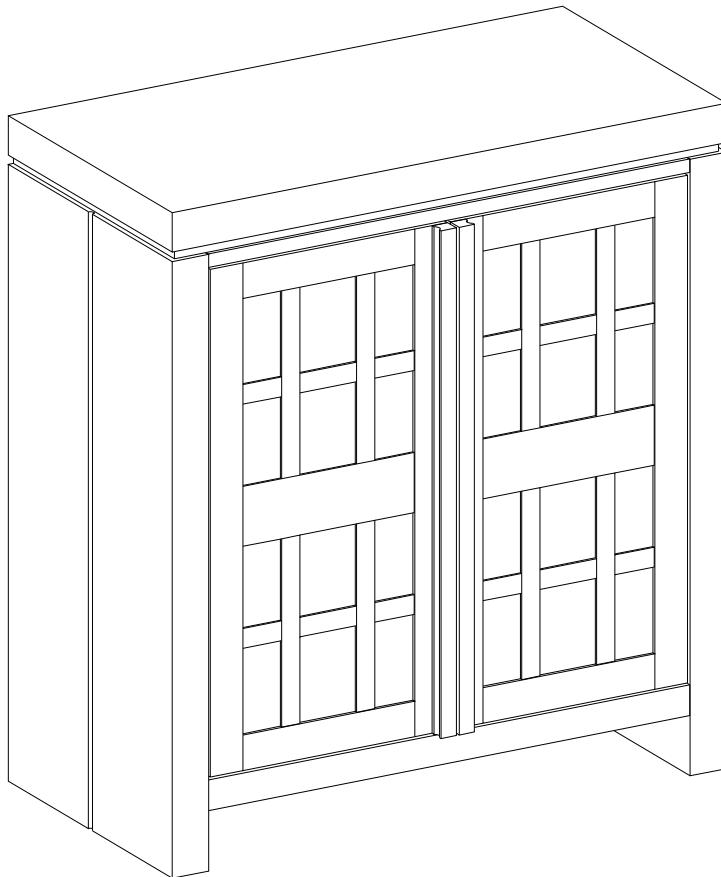
Secure your unit to the wall using the (Q) screw, plastic strap (R), and the wall anchor (S).



Warning

Serious or fatal injuries can occur from furniture tipping over. To prevent the furniture from tipping over we recommend that it is permanently fixed to the wall. Wall anchor and hardware are included with this product. Please make sure hardware is suitable for your walls before installing, as different wall materials may require different types of anchors.

Final Assembly



Congratulations on your new piece of furniture!

We would love to hear about it and see it.
Please leave us a review or post a picture

Assembling furniture can be tricky sometimes.

Our customer service team, located in Utah, is here for product information, help assembling a product, or for any other customer support issue

We are available to help Monday -Thursday 8am-5pm, Friday 8am-3pm MST