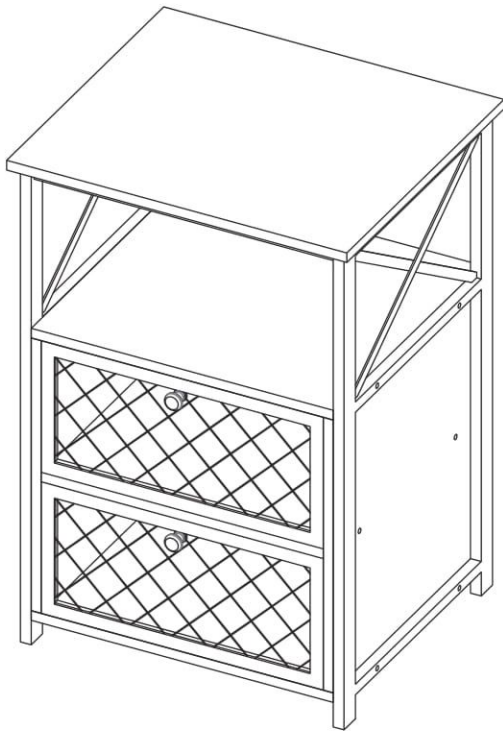


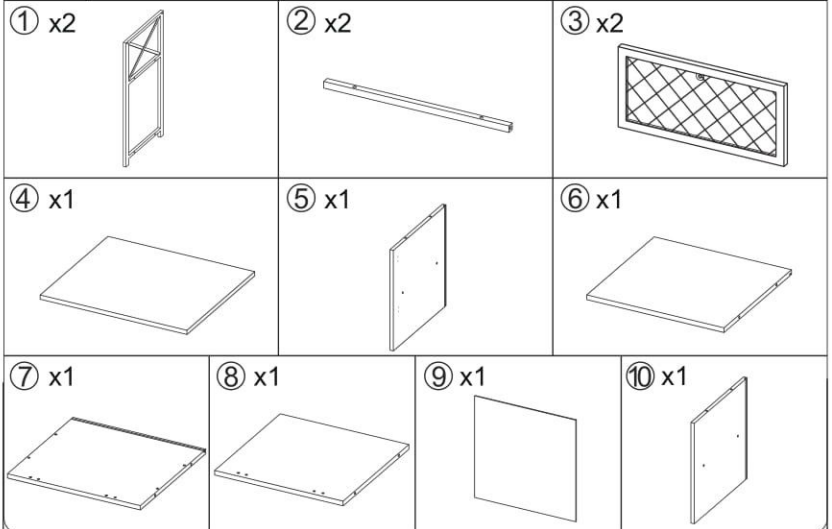
Assembly Instructions

Tips!

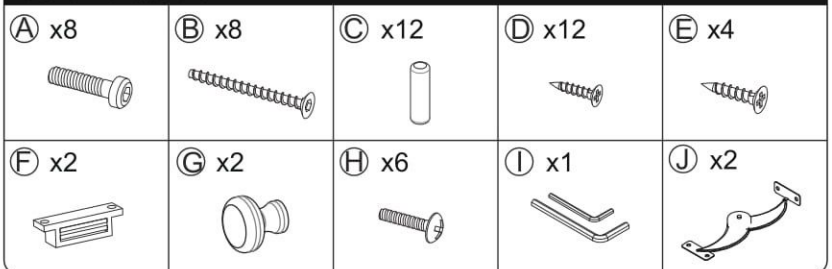
Check all the components & screws before assembly.



Componets



Screws & tools



Return Policy




We believe you will absolutely love your new item. But if for some reason you want to return, please contact us directly before you decide to return your product.

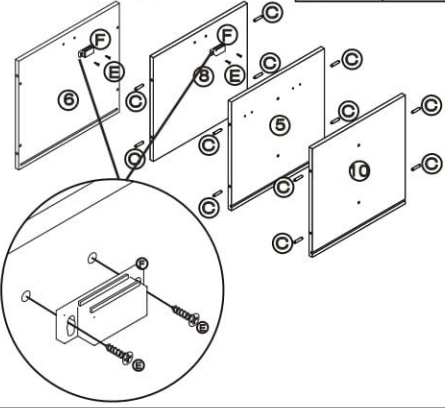
The item must be returned within 30 days of delivery for a full refund. The item must be returned in good condition, in original box, with all original proof of purchase, parts and accessories.

We control manufacturing and distribution ourselves, ensure the quality.

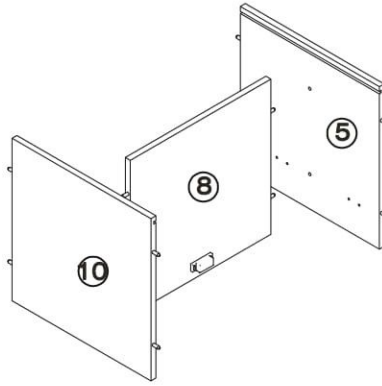
1

Assembly ⑧、⑤ & ⑩
 Assembly ①

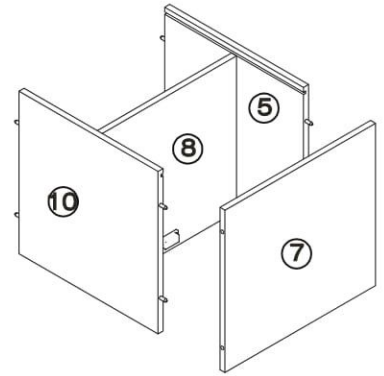
	Cx12
	Ex4
	Fx2

**2**

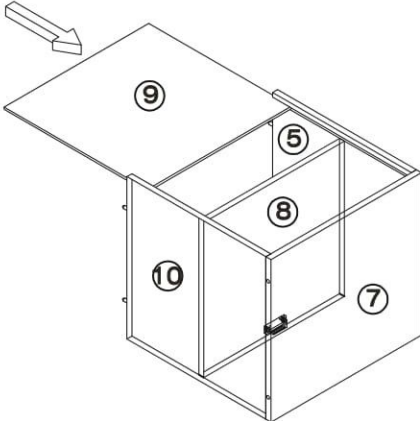
Connect ⑧、⑤ & ⑩

**3**

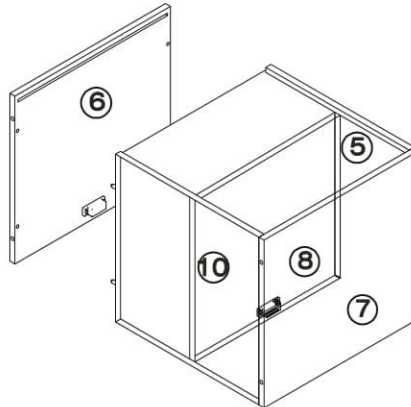
Connect ⑤、⑩ & ⑦

**4**

Assembly ⑨ & ⑦

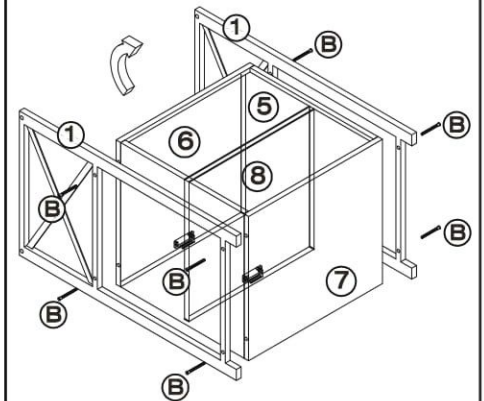
**5**

Connect ⑥、⑤ & ⑩

**6**

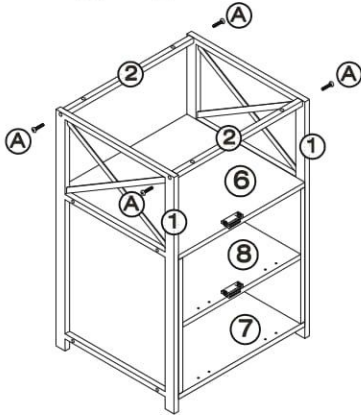
Connect ①、⑥ & ⑦

	Bx8
---	-----

**7**

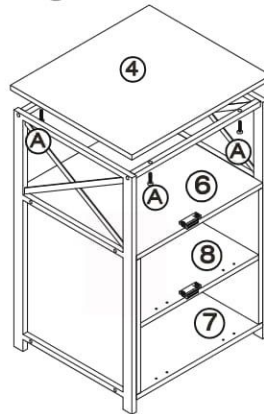
Connect ② & ①

	Ax4
---	-----




**8**

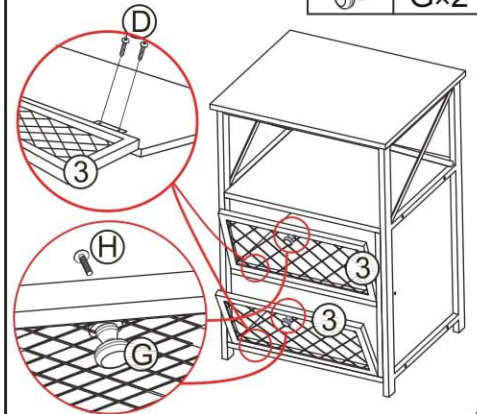
Assembly ④




	Ax4
---	-----

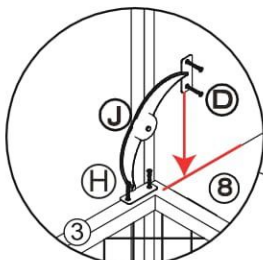
**9**

Assembly ③ & ③

	Dx8
	Hx2
	Gx2

**10** Assembly ③ & ①

	Dx4
	Jx2
	Hx4



To make the door (Part ③) close normally, as shown in the diagram, when installing Part J, the rectangular crank where the part D screw in. Must keep vertical to Part ③ & ⑦

