

Assembly Instructions

Before beginning the assembly process, please read and save these instructions for reference. Following these guidelines will ensure a smooth and successful assembly of your product.

1. Part Identification:

Carefully separate and identify all the parts included in your package. Confirm that you have all the components listed in the instruction manual. This step will help you avoid any missing or misplaced parts during assembly.

2. Work Surface:

To prevent any scratches or damage to the product, assemble it on a soft mat or a similar protective surface. This will provide a cushioned area for the components and protect the surfaces from unwanted marks.

3. Step-by-Step Assembly:

Follow the assembly instructions provided, proceeding one step at a time. Take care to understand each step properly before proceeding to the next one. This sequential approach ensures that the assembly is done correctly and minimizes the chance of errors.

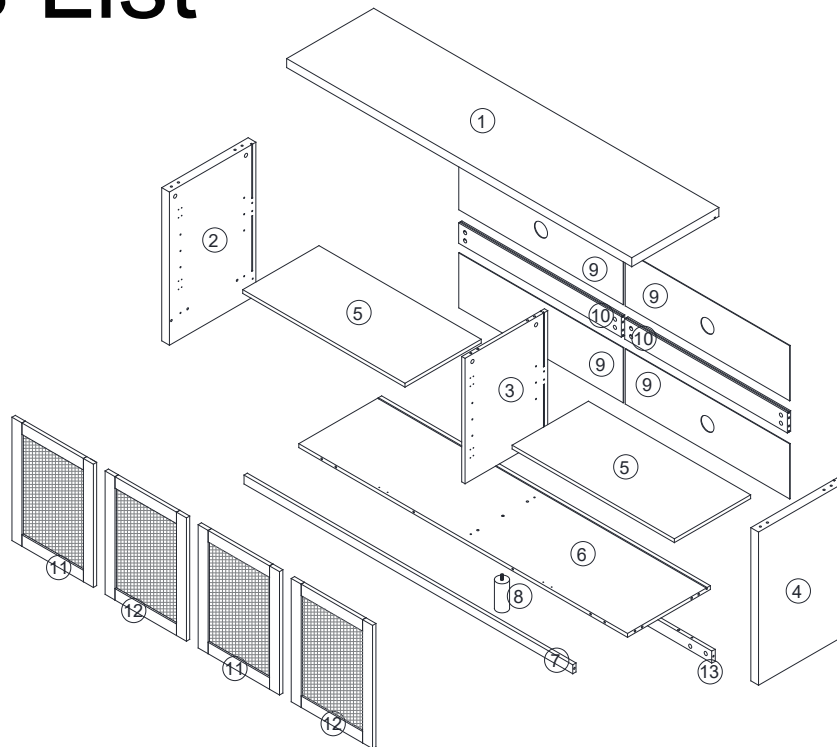
4. Proper Screw Seating:

When attaching screws and nuts, it is essential not to fully tighten them until all screws are correctly seated. By partially tightening each screw and nut initially, you can ensure that they are aligned properly and fit securely before final tightening.






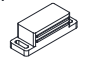




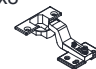
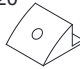



5. Avoid Over-Tightening:

While each screw and nut should be tightened correctly, it is crucial not to over-tighten them. Over-tightening can cause damage to the product or compromise its structural integrity. Use the appropriate amount of force to secure the components without excessive tightening.

Parts List



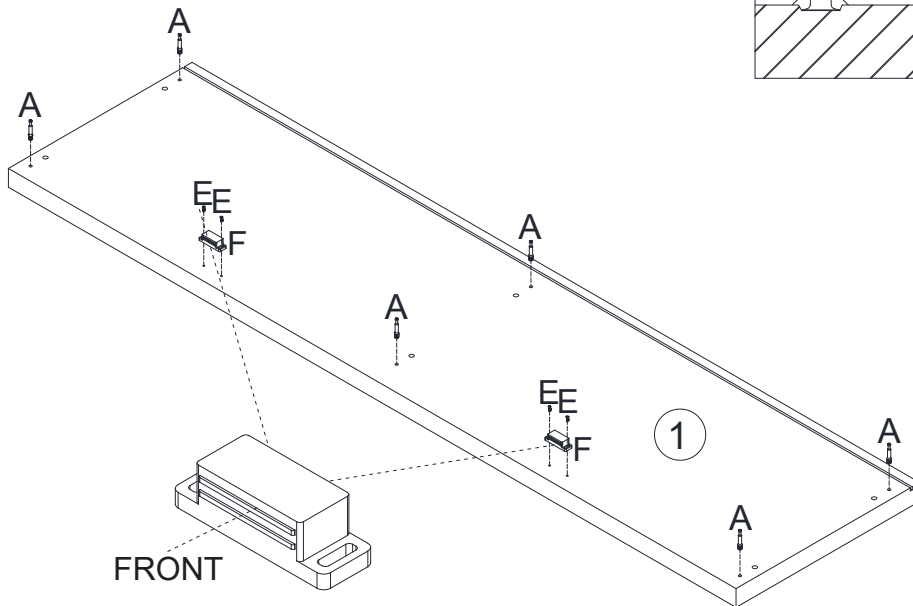
Hardware List

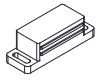
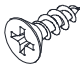
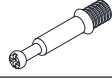
Ax28  ø6x35	Bx28  ø15x10	Cx18  ø8x30	Dx2  M4x35	Ex28  M3x16	Fx4 	Gx14  ø20	Hx5 
Ix8 	Jx48  M3.5x14	Kx8 	Lx20 	Mx8 	Nx16  M3x12	Ox4 	

Code	Description	Quantity
A	M6x35mm Cam bolt	28+2
B	ø15x10mm Cam lock	28+2
C	ø8x30mm Wood dowel	18+2
D	M4x35mm Screw	2
E	M3x16mm Screw	28+2
F	magnet	4
G	Sticker	14+2
H	Adjusting the footrest	5

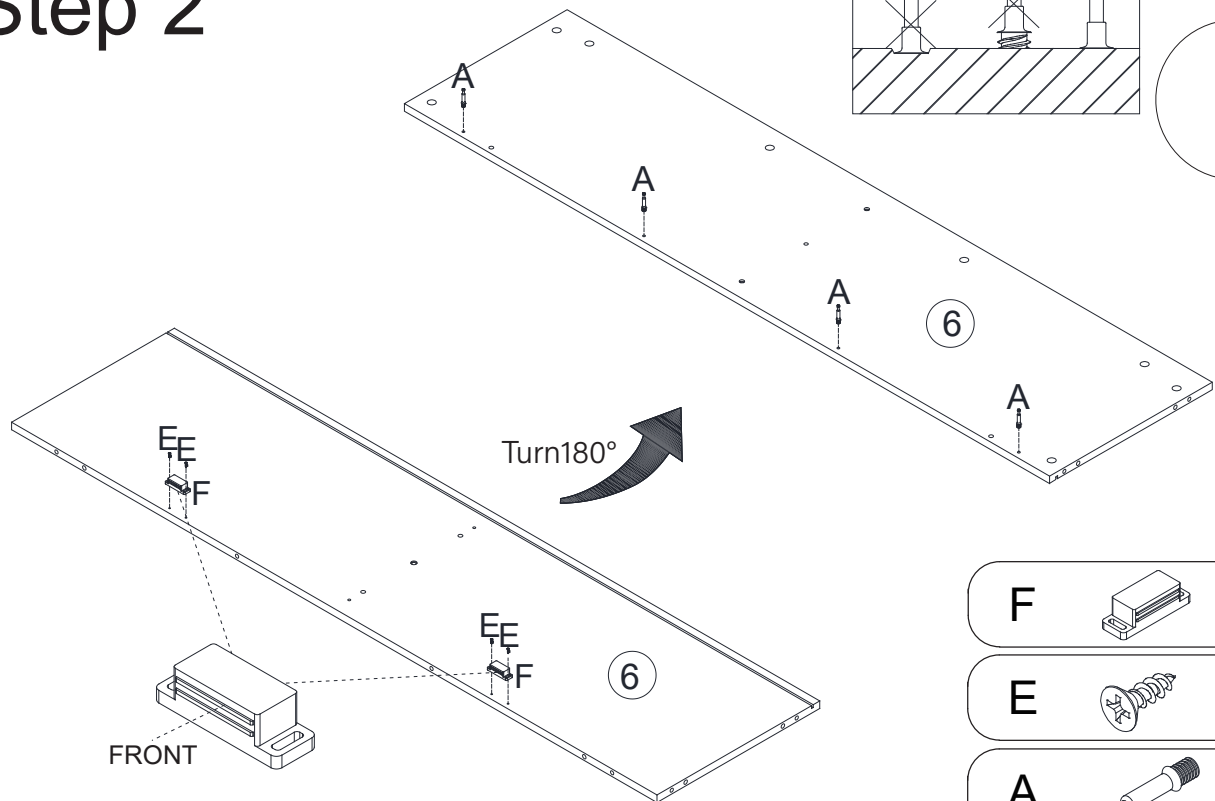
Code	Description	Quantity
I	shelf support	8+1
J	M3.5x14mm Screw	48+2
K	hinge	8
L	Back clip	20+2
M	magnet plate	8
N	M3x10mm Screw	16+2
O	Handle	4

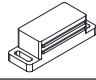

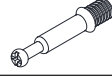
Step 1



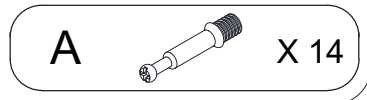
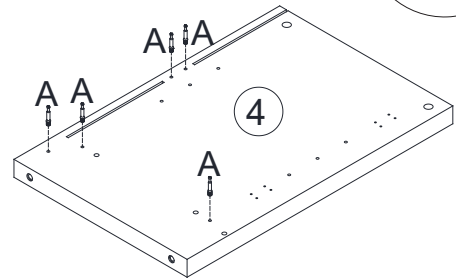
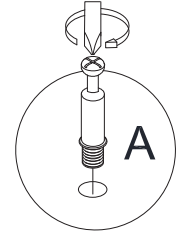
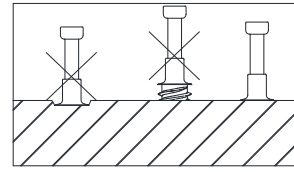
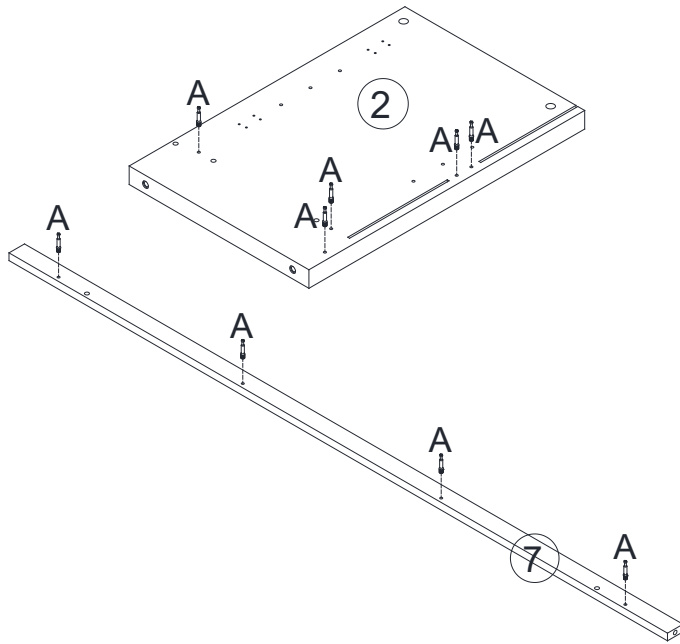
- F**  X 2
- E**  X 4
- A**  X 6

Step 2

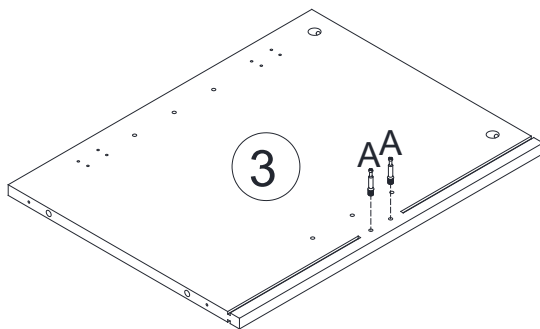


- F**  X 2
- E**  X 4
- A**  X 4

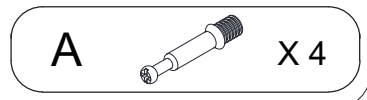
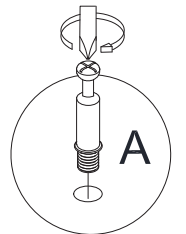
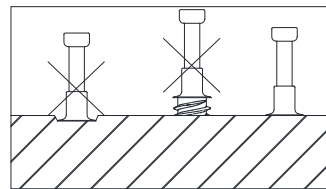
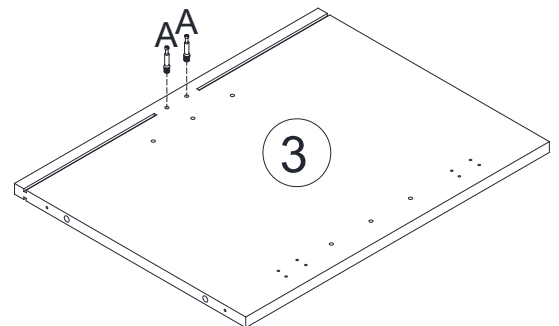
Step 3



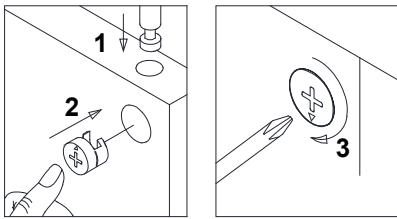
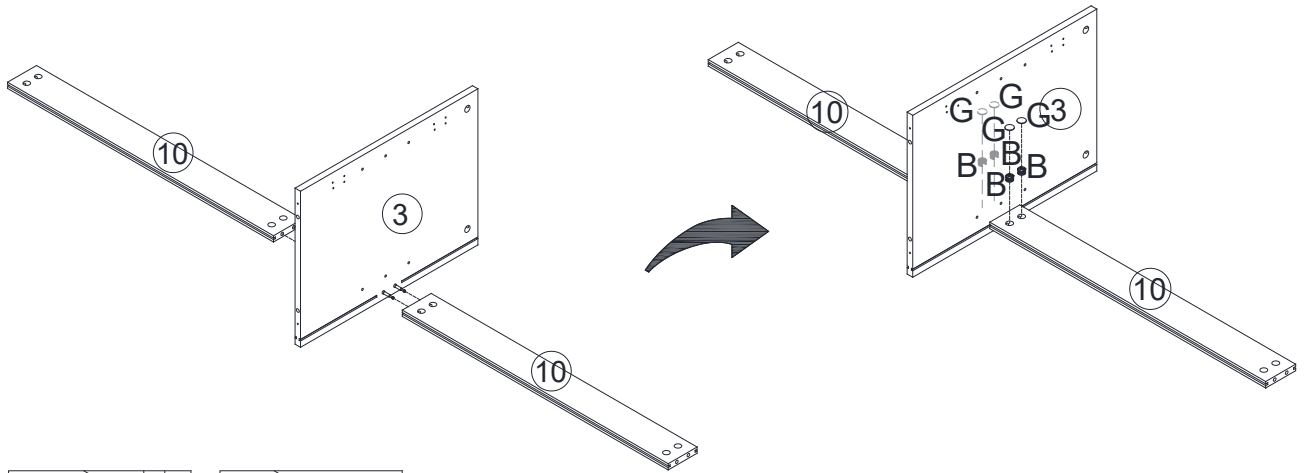
Step 4





Turn 180°

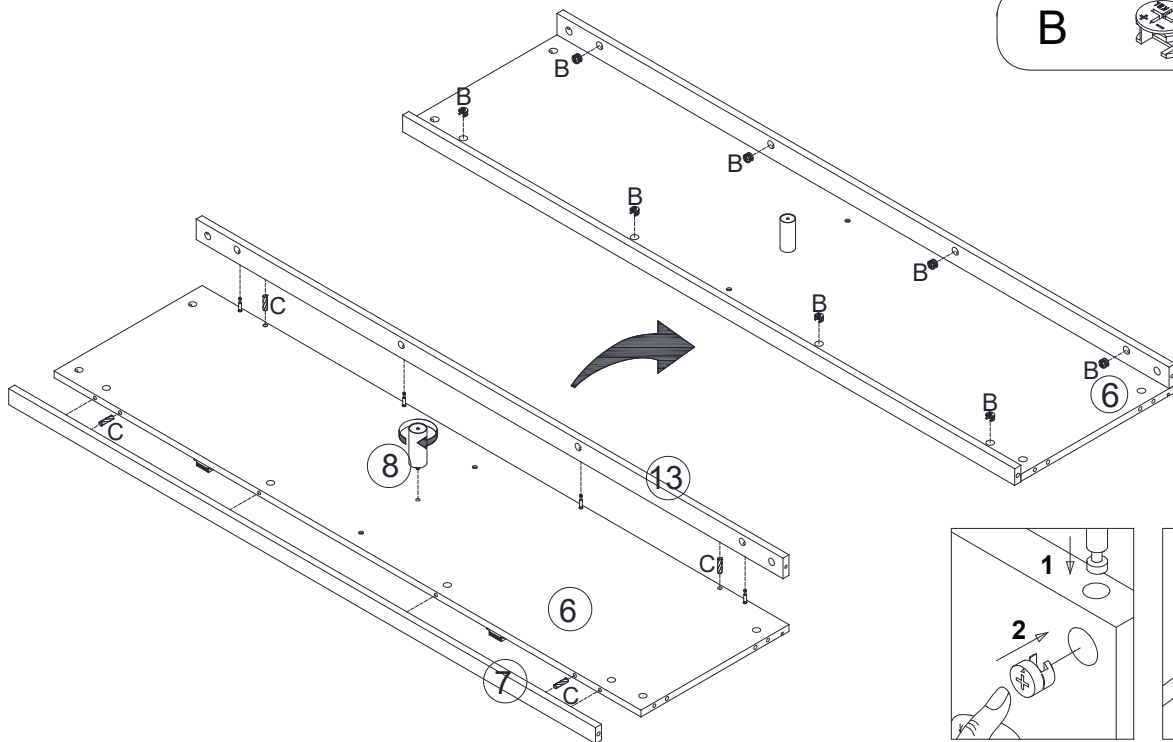


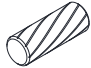

Step 5

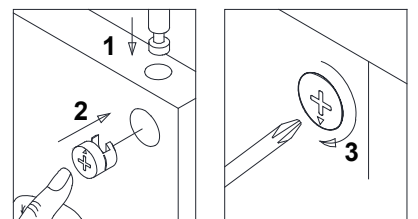


- G  X 4
- B  X 4

Step 6



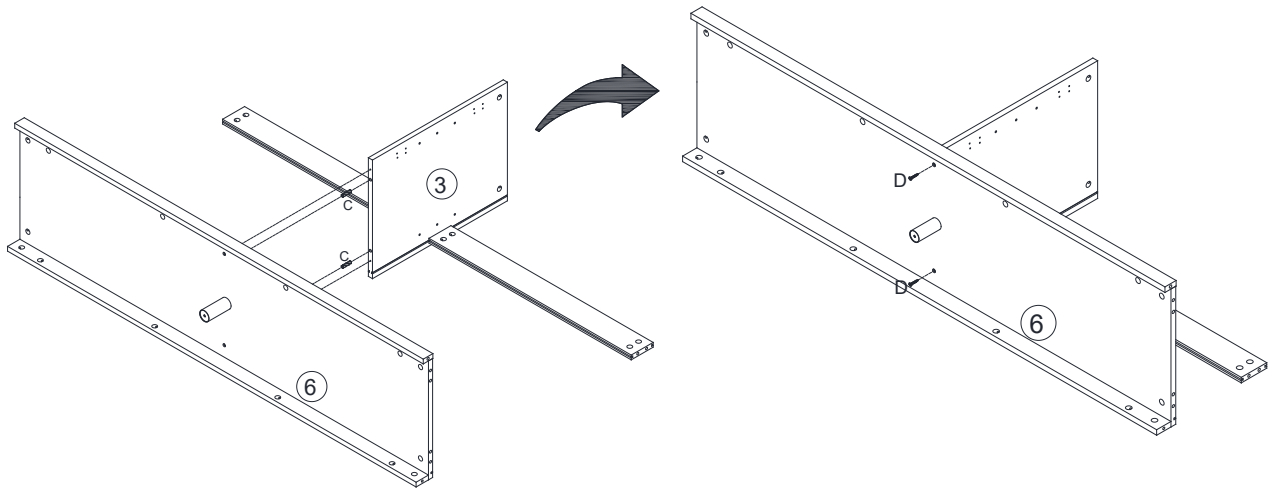
- C  X 4
- B  X 8



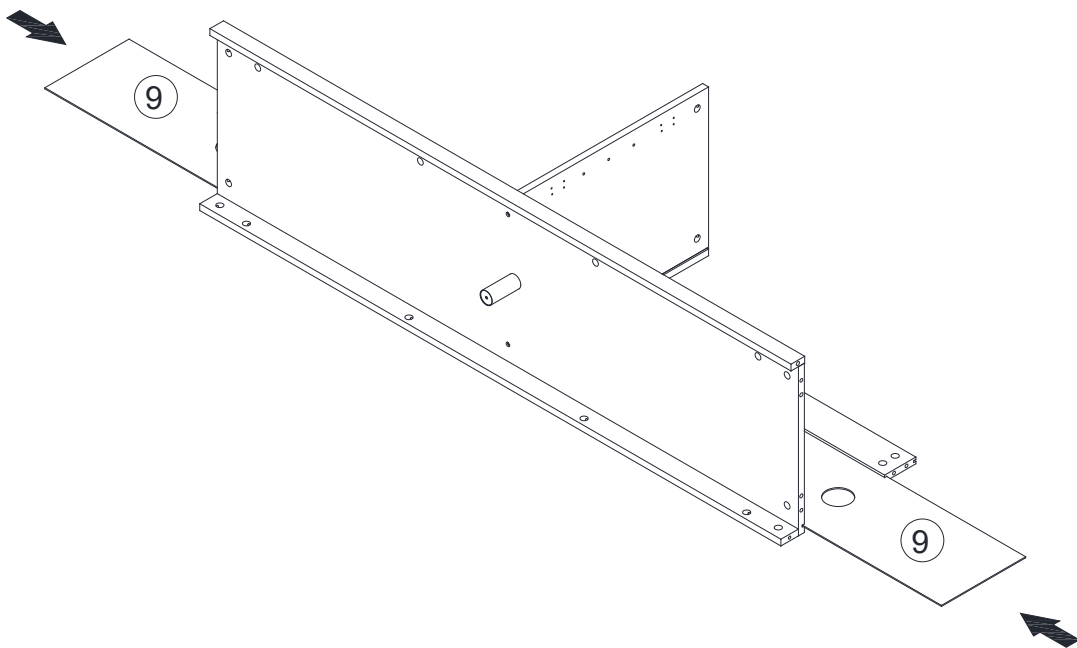
Step 7

C  X 2

D  X 2



Step 8

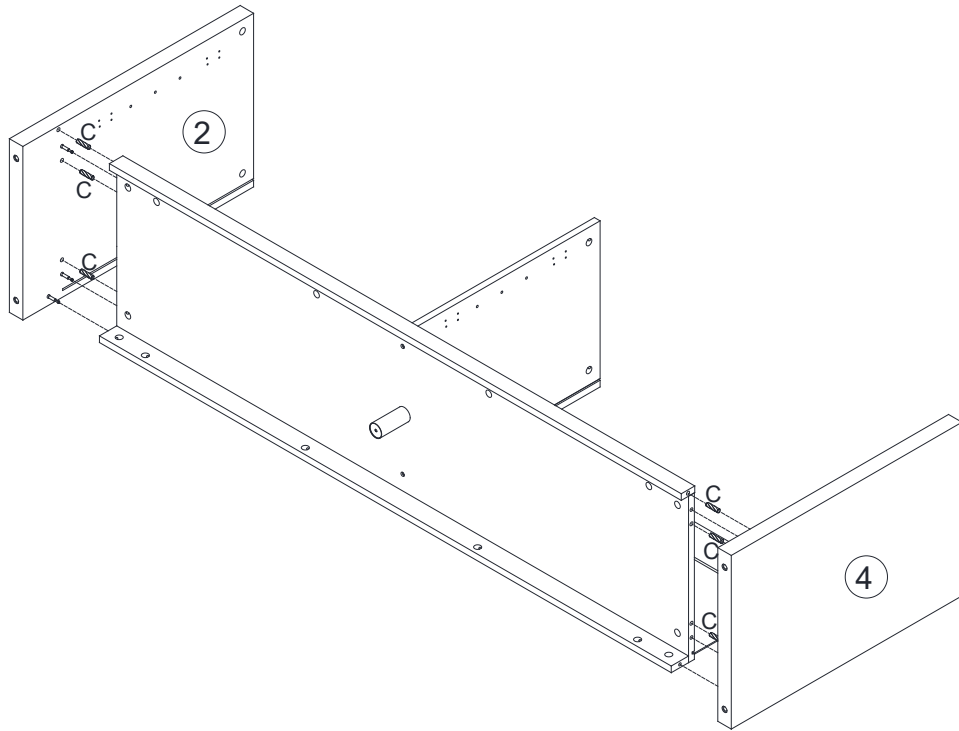


Step 9

C



X 6



Step 10

B



X 10

H

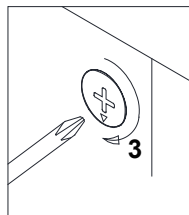
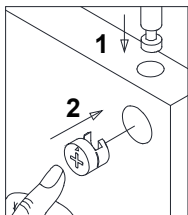
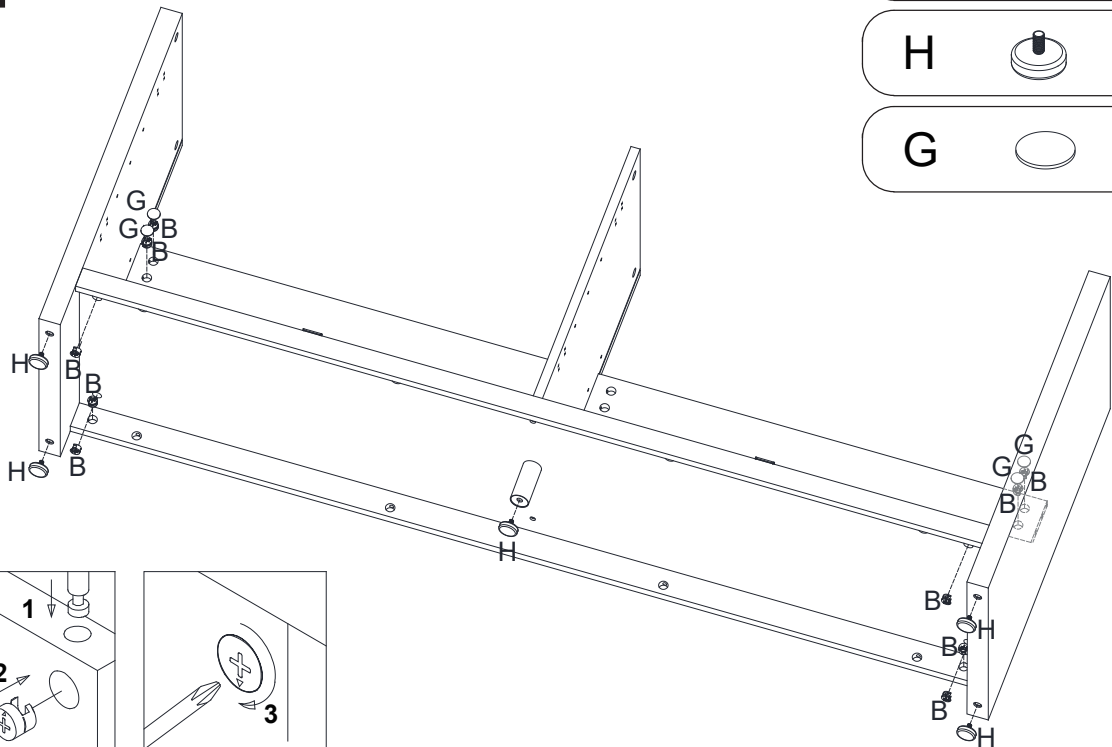


X 5

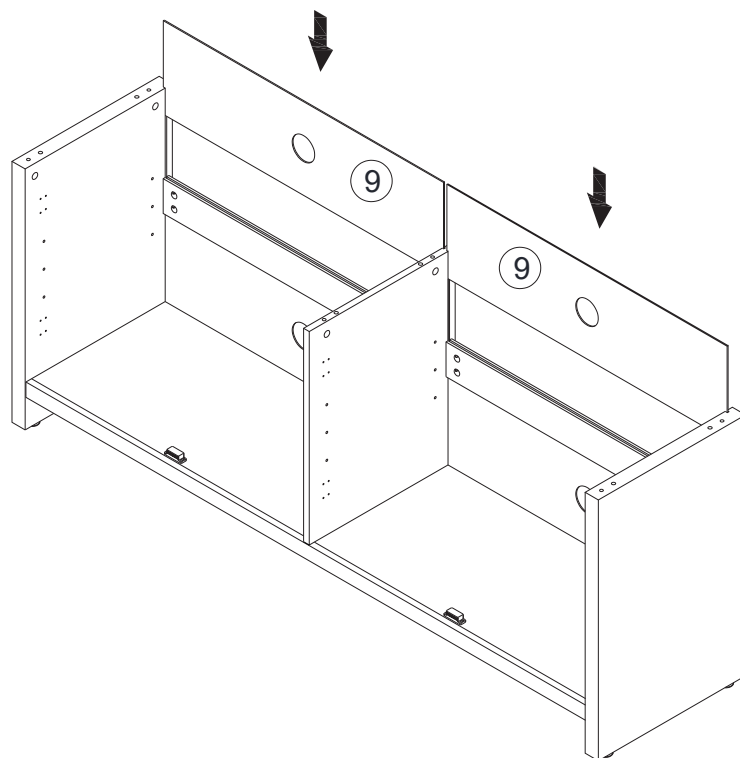
G



X 4



Step 11

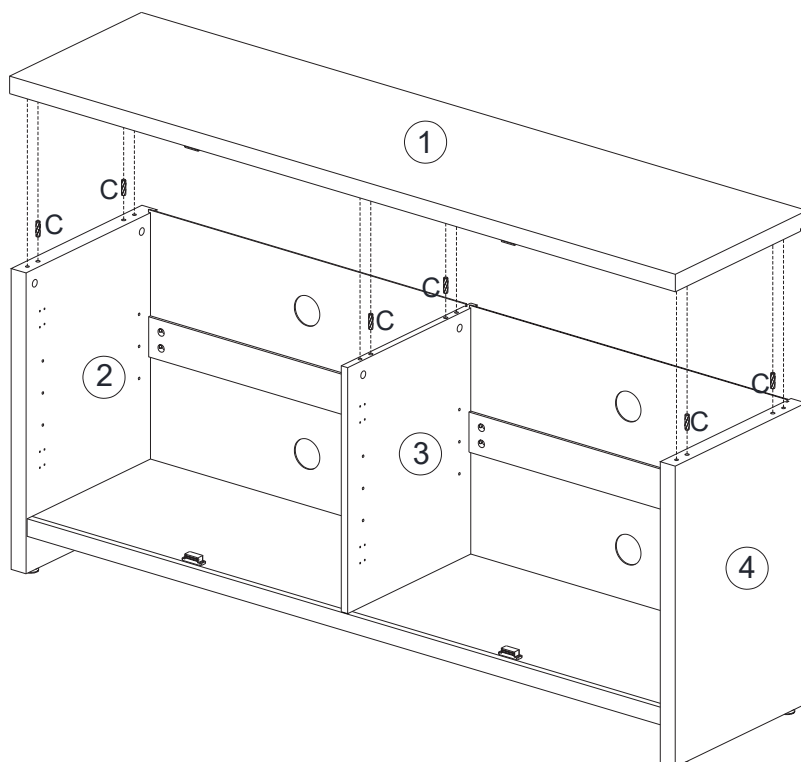


Step 12

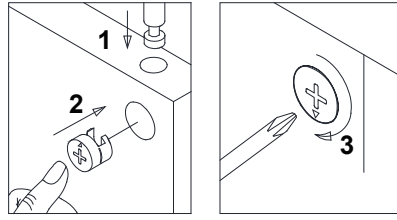
C




X 6

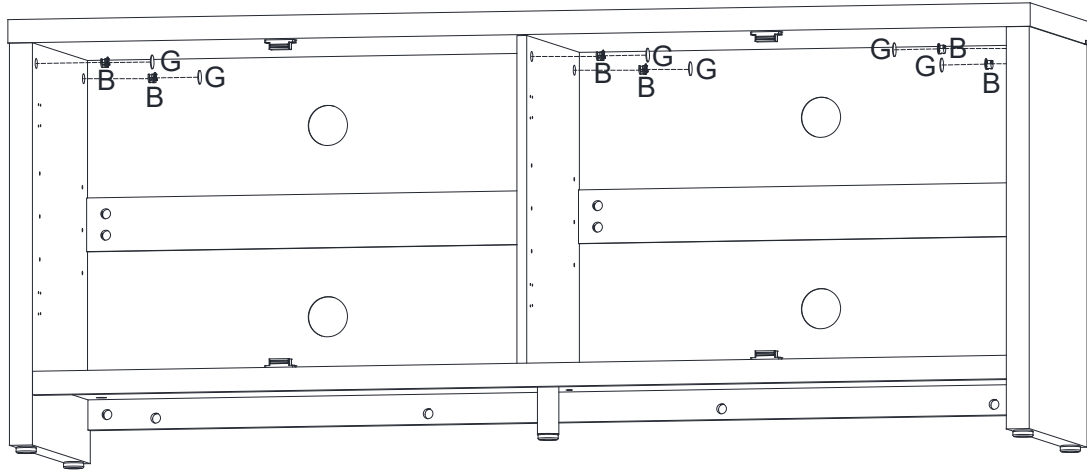


Step 13



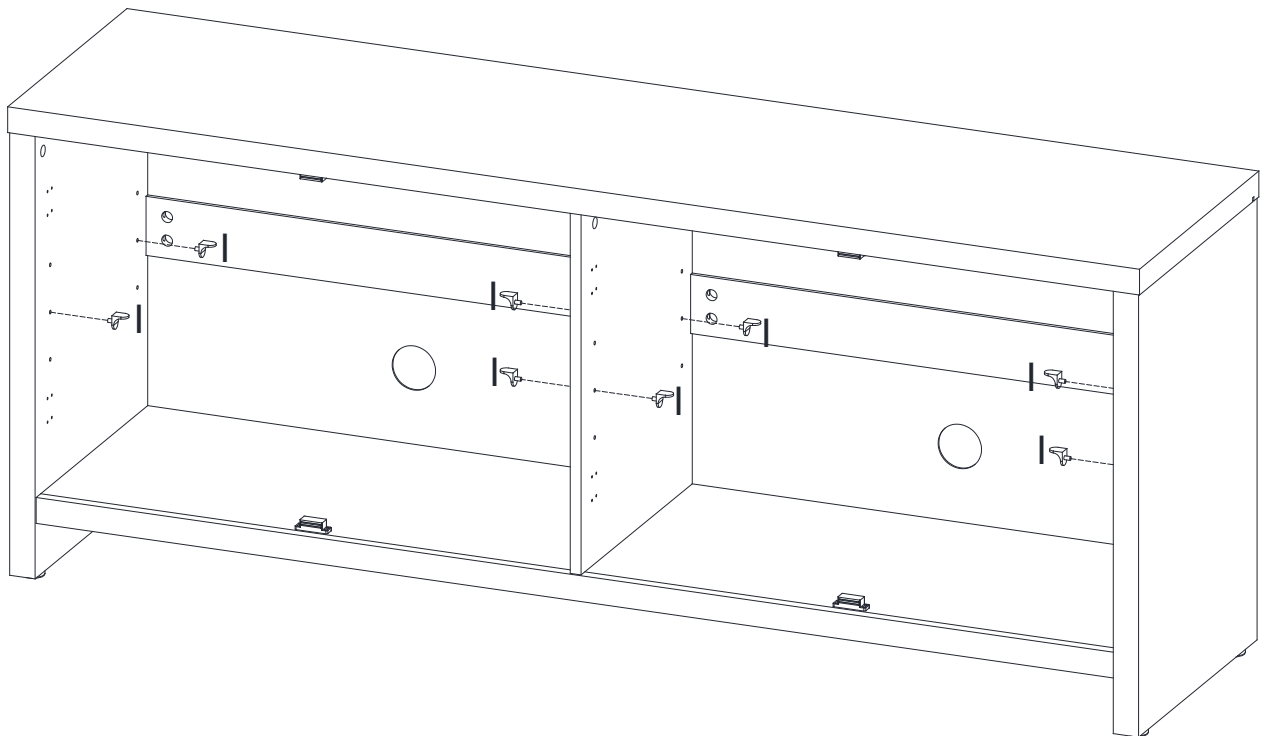
B  X 6

G  X 6

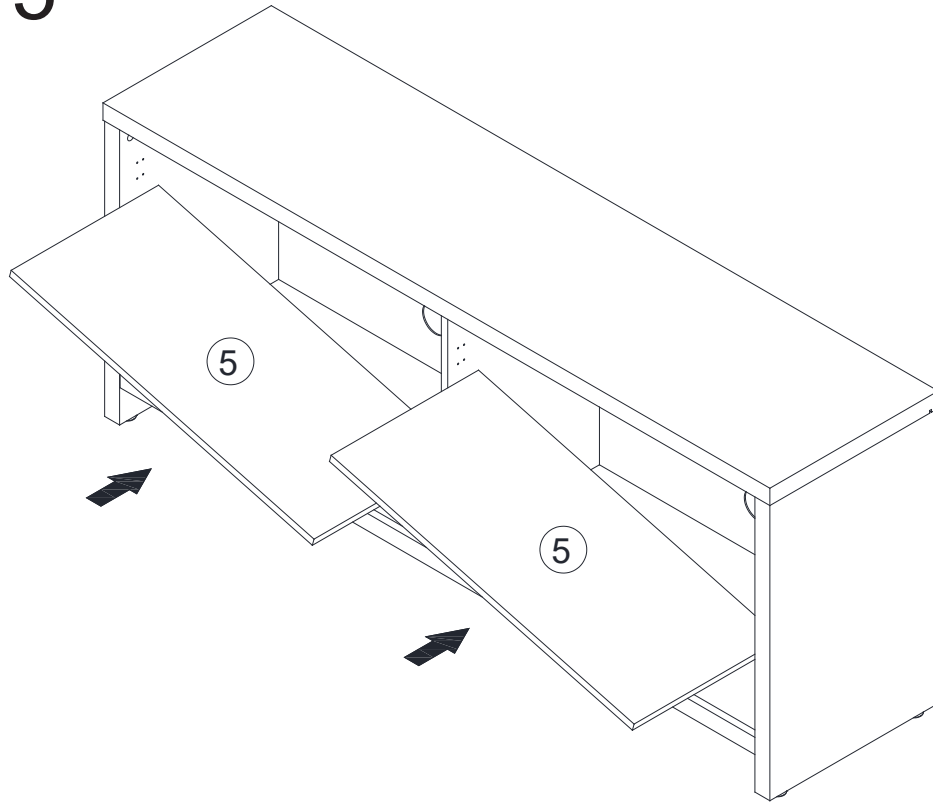


Step 14

I  X 8



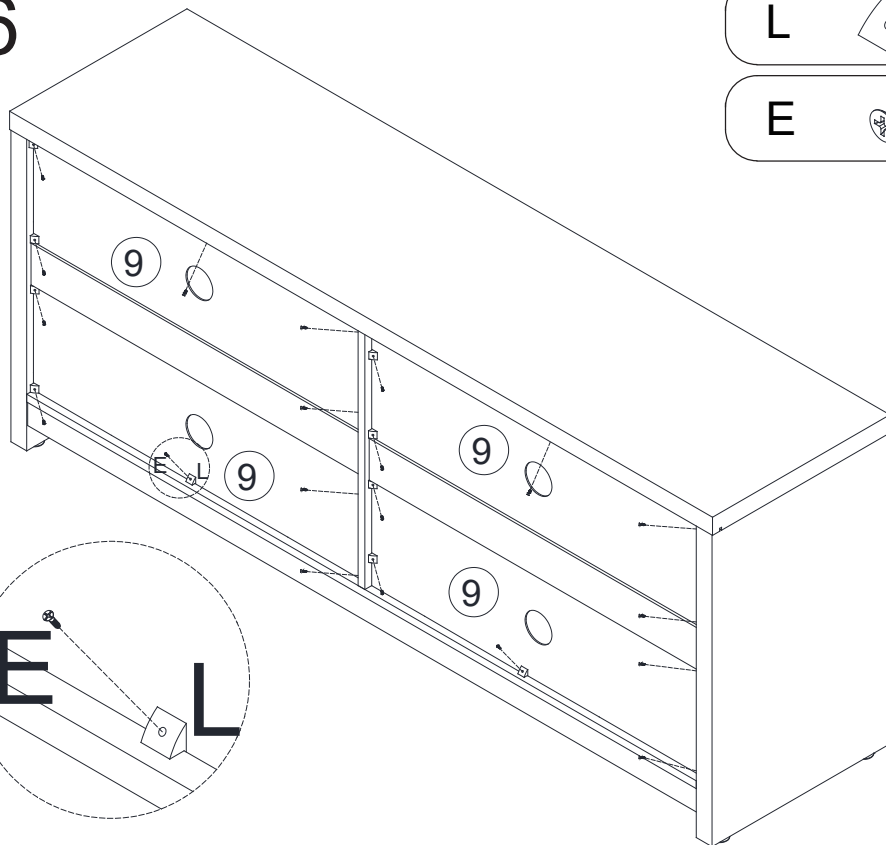
Step 15



Step 16

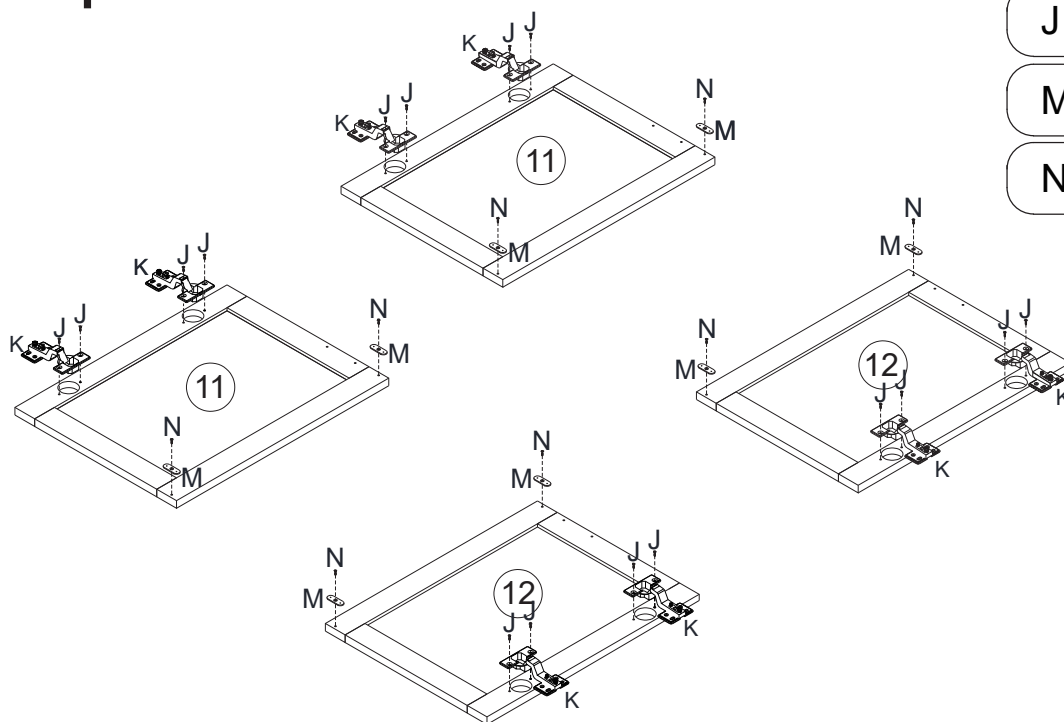
L  X 20

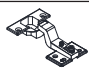



E  X 20



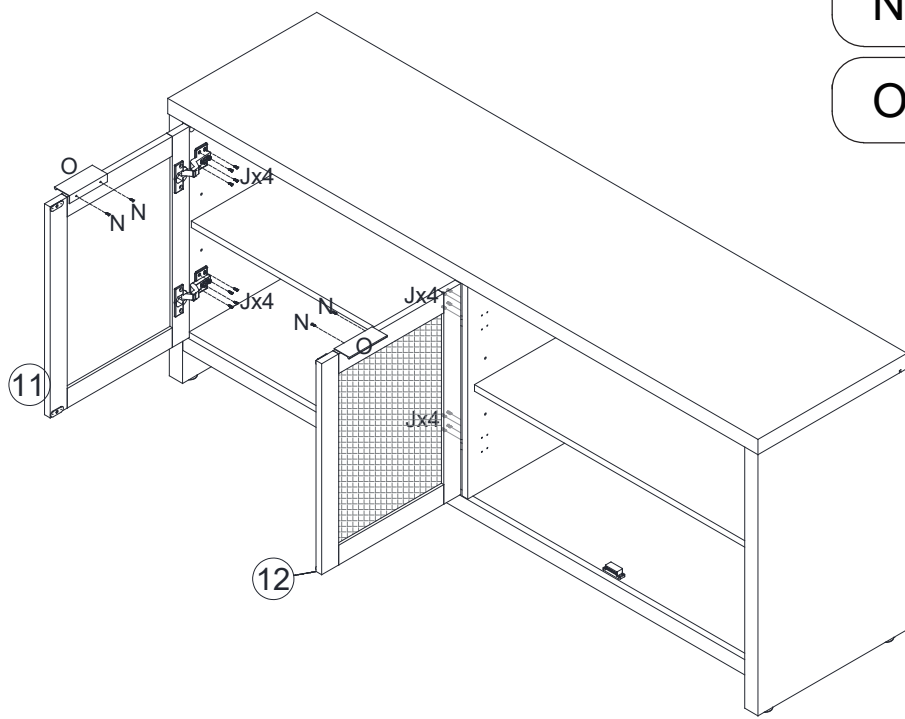

Must Be Installed

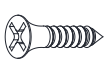
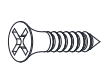
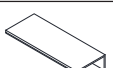
Step 17



- K  X 8
- J  X 16
- M  X 8
- N  X 8

Step 18



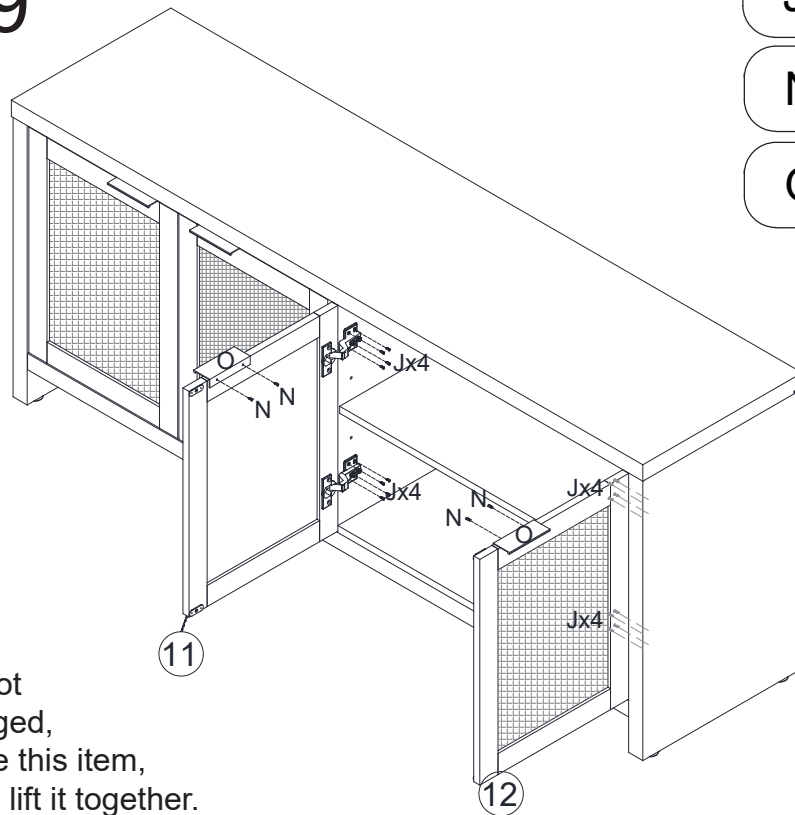
- J  X 16
- N  X 4
- O  X 2

Step 19

J  X 16

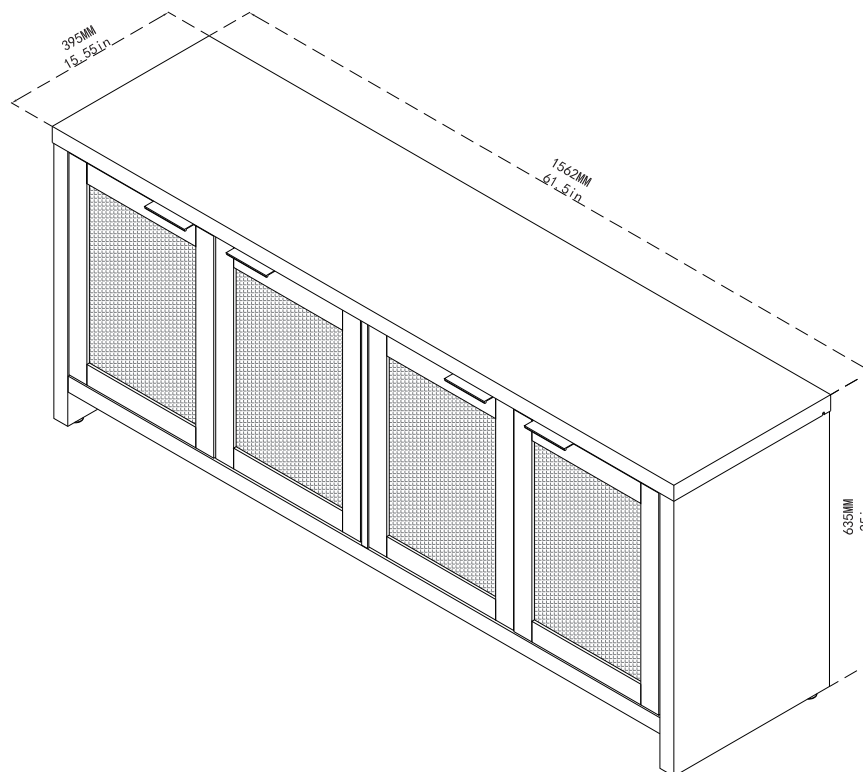
N  X 4

O  X 2



Tips: This item is not allowed to be dragged, if you need to move this item, two people need to lift it together.

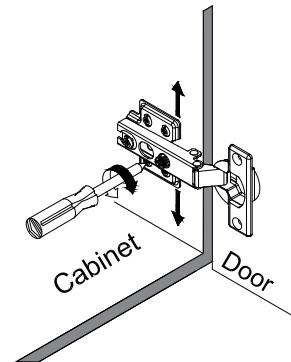
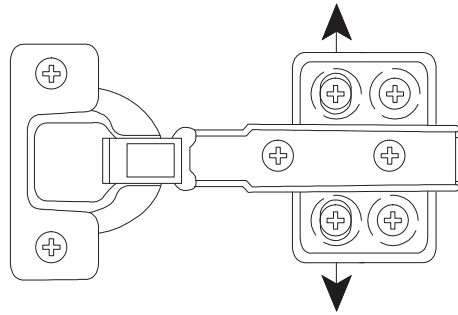
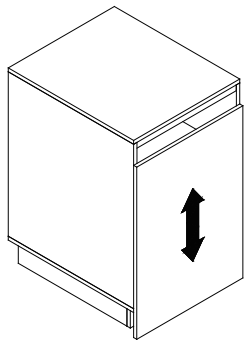
Step 20



Cabinet Door Adjustment Instructions

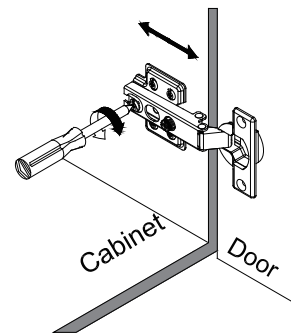
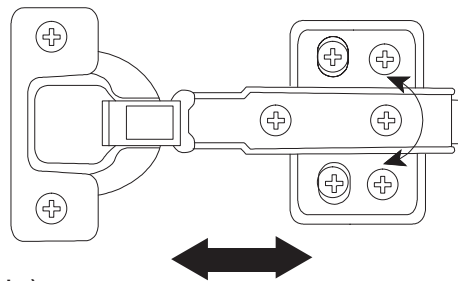
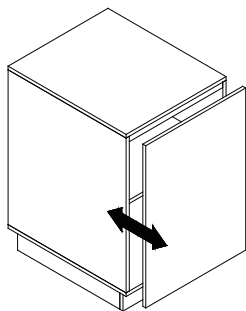
Height adjustment:

- Locate the height adjustment screws on the hinge.
- Use the Phillips screwdriver to either tighten or loosen the screws to raise or lower the cabinet door as desired.



Side-to-side adjustment:

- If the cabinet door needs to be moved closer to or away from the cabinet frame, locate the side-to-side adjustment screws on the hinge.
- Use the Phillips screwdriver to adjust these screws and gradually move the door in the desired direction.



Depth adjustment (if applicable):

- Check if the cabinet door needs to be brought closer to or further away from the cabinet frame.
- For-depth adjustment, locate the depth adjustment screws on the hinge.
- Use the Phillips screwdriver to turn these screws clockwise or counterclockwise accordingly.

