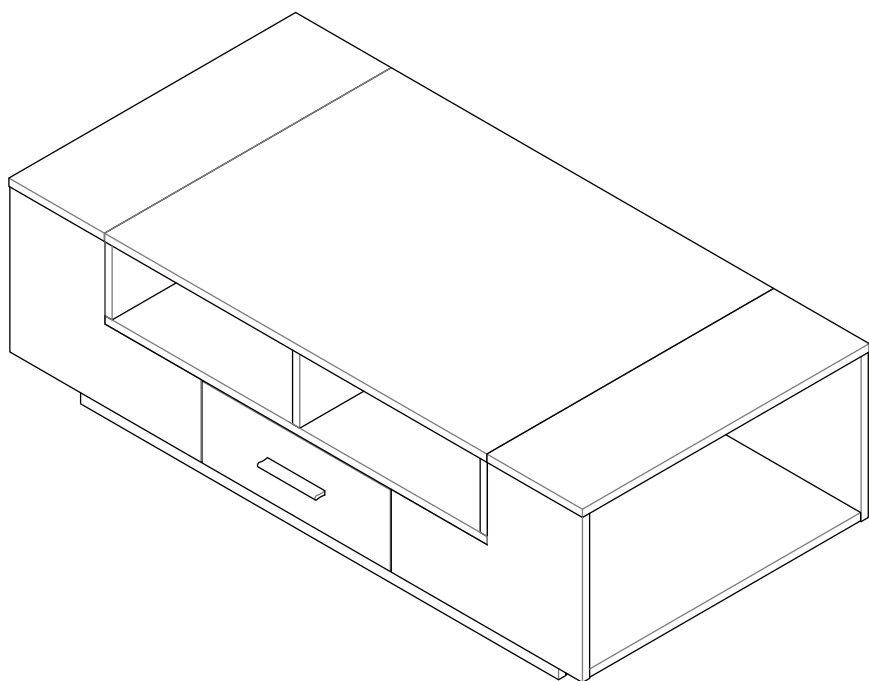
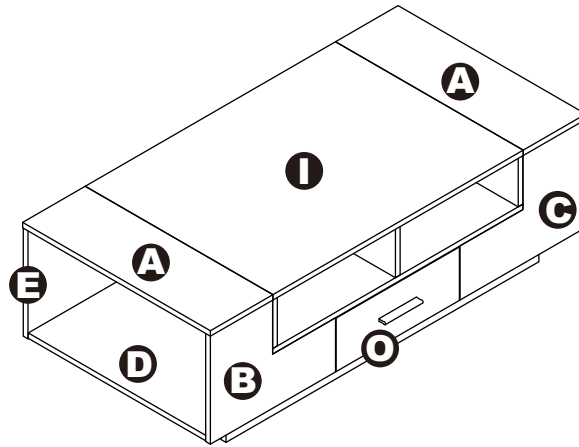


# ASSEMBLY INSTRUCTIONS



## COFFEE TABLE

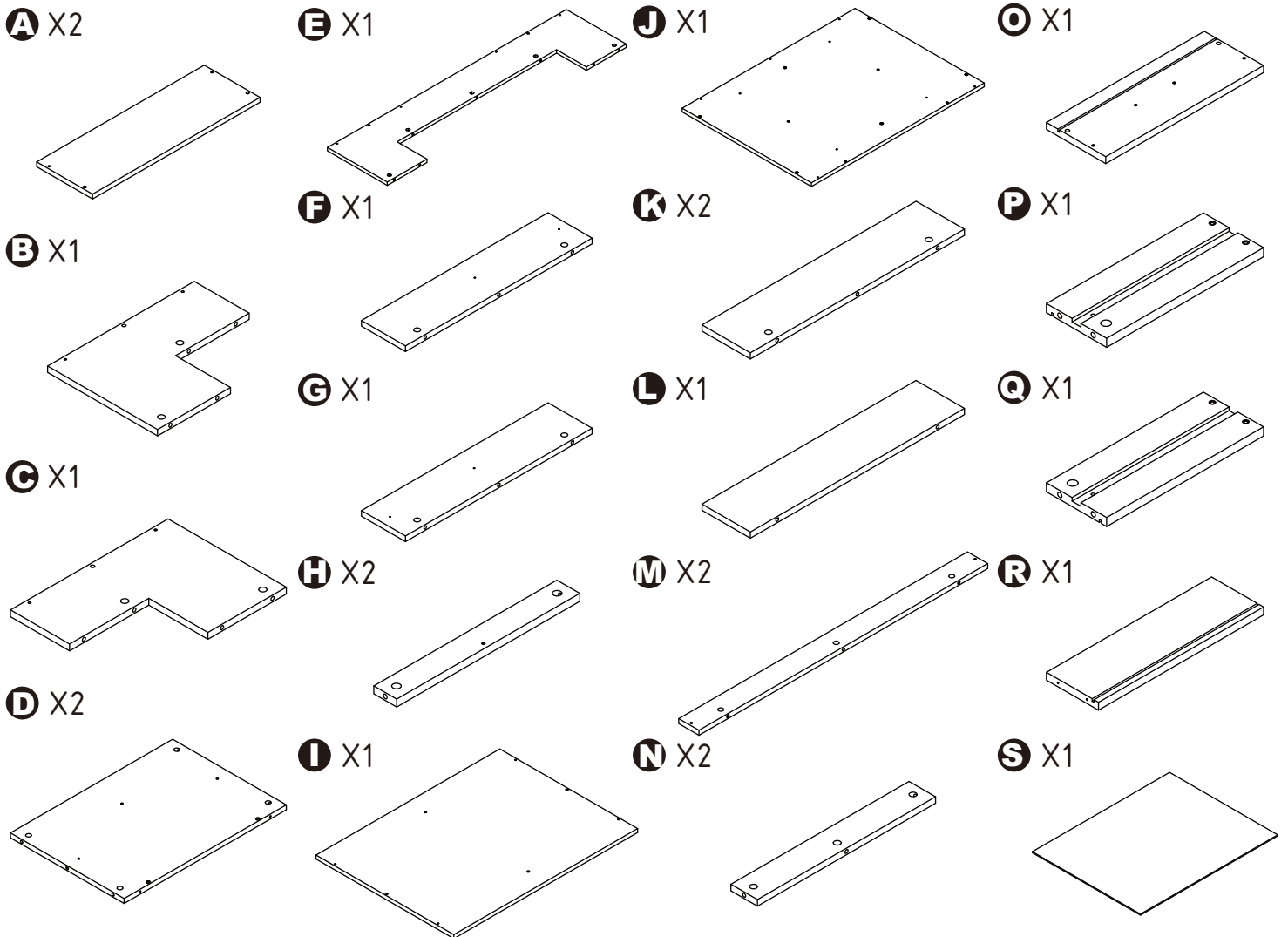
# COFFEE TABLE



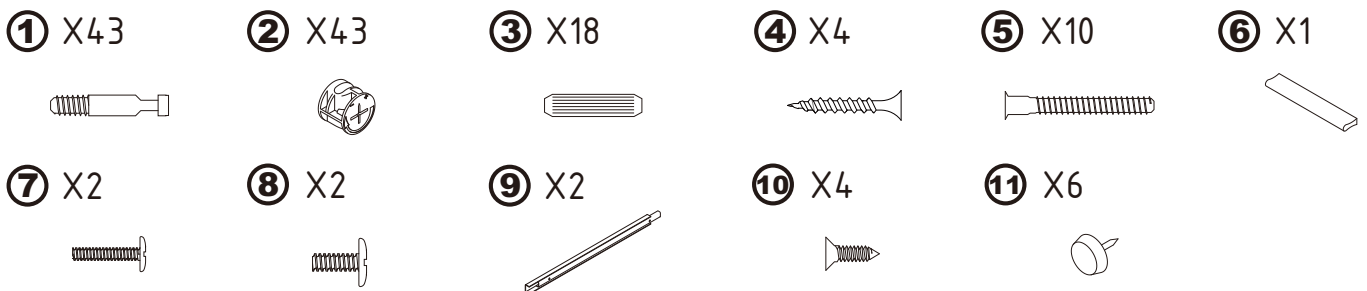
## DIMENSIONS

Width - 47.24"  
 Depth - 23.62"  
 Height - 15.12"

## PARTS LIST

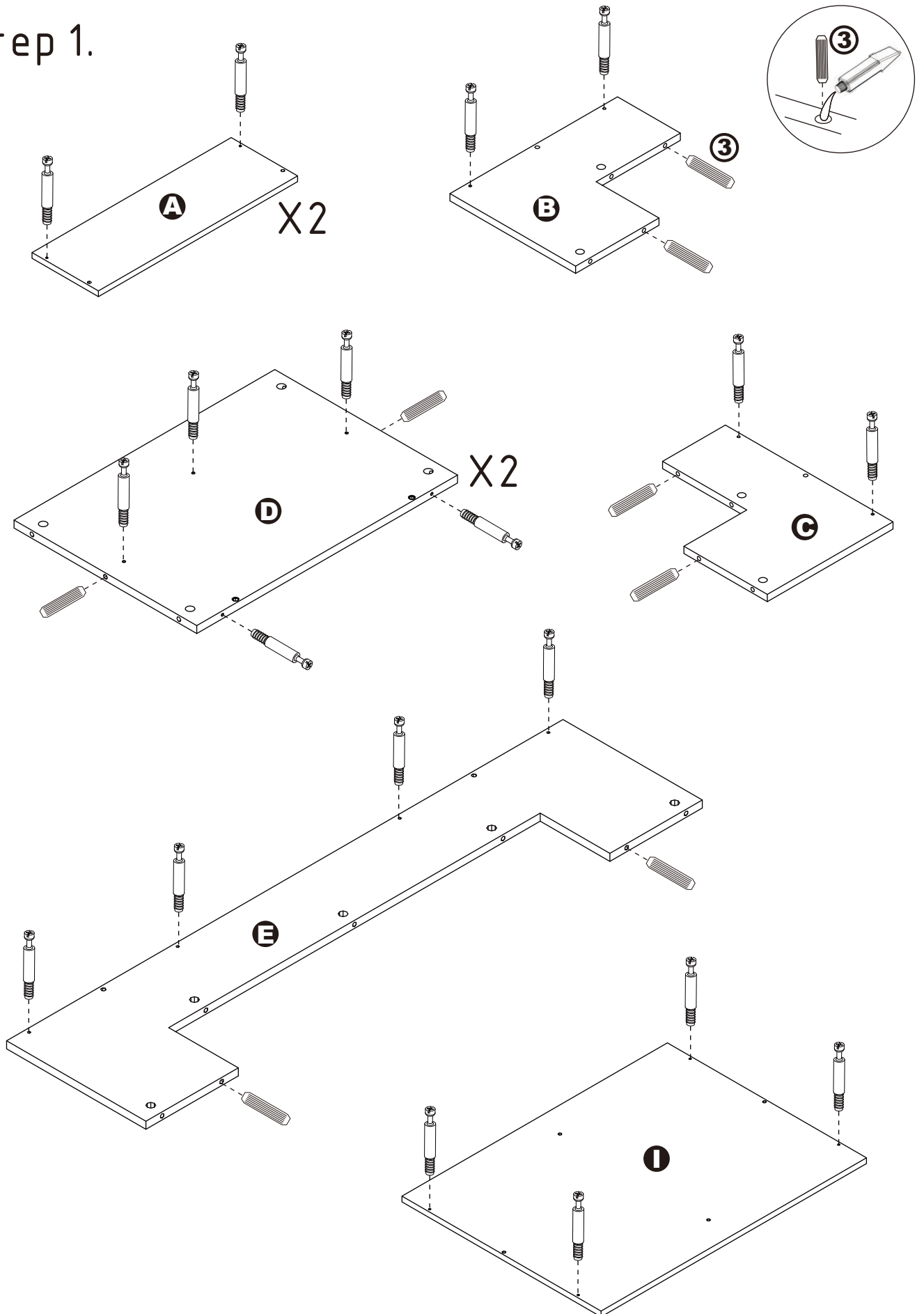


## HARDWARE LIST



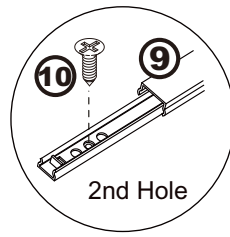
# ASSEMBLY INSTRUCTIONS

Step 1.

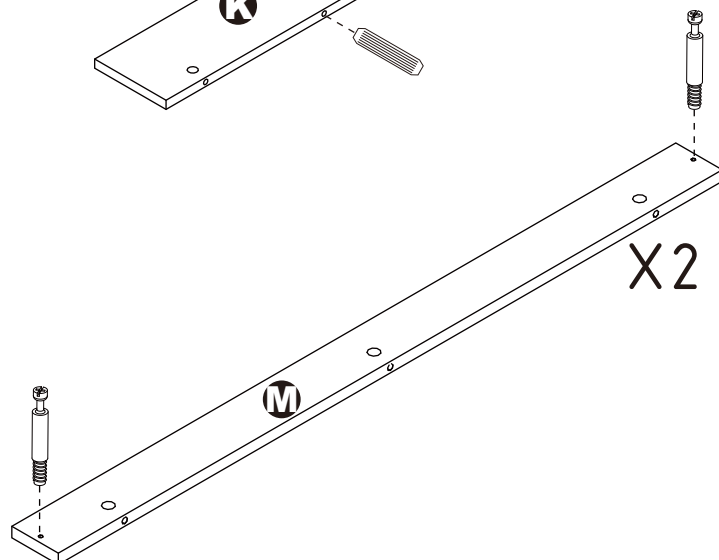
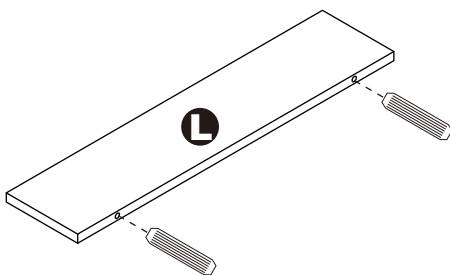
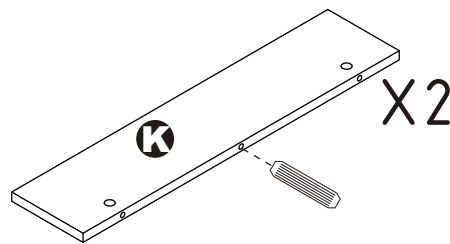
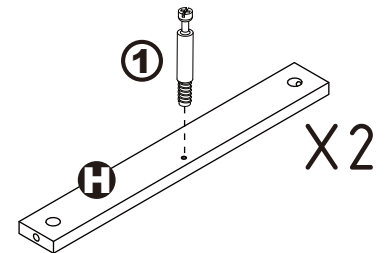
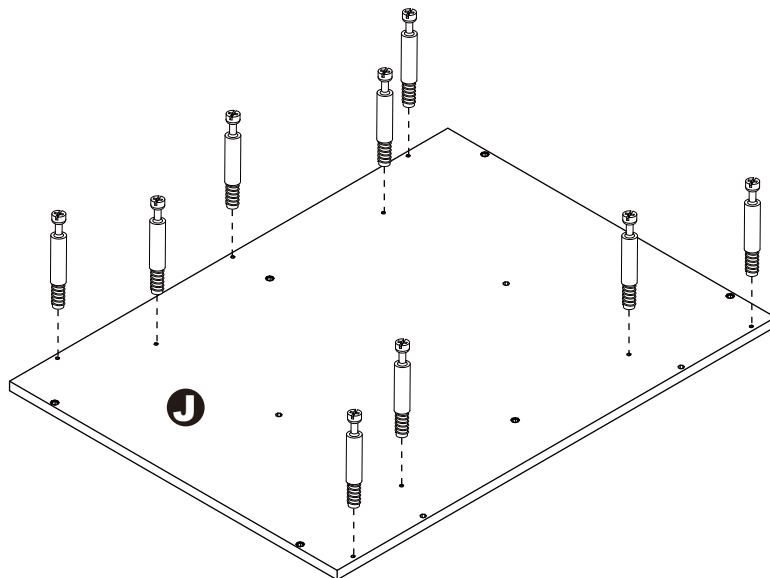
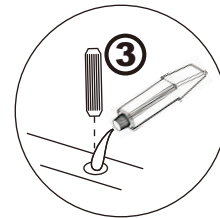
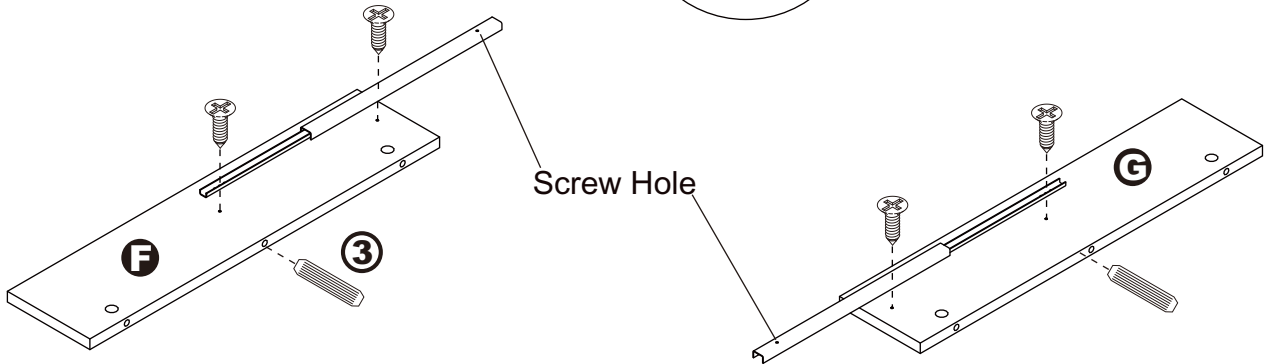


# ASSEMBLY INSTRUCTIONS

## Step 2.

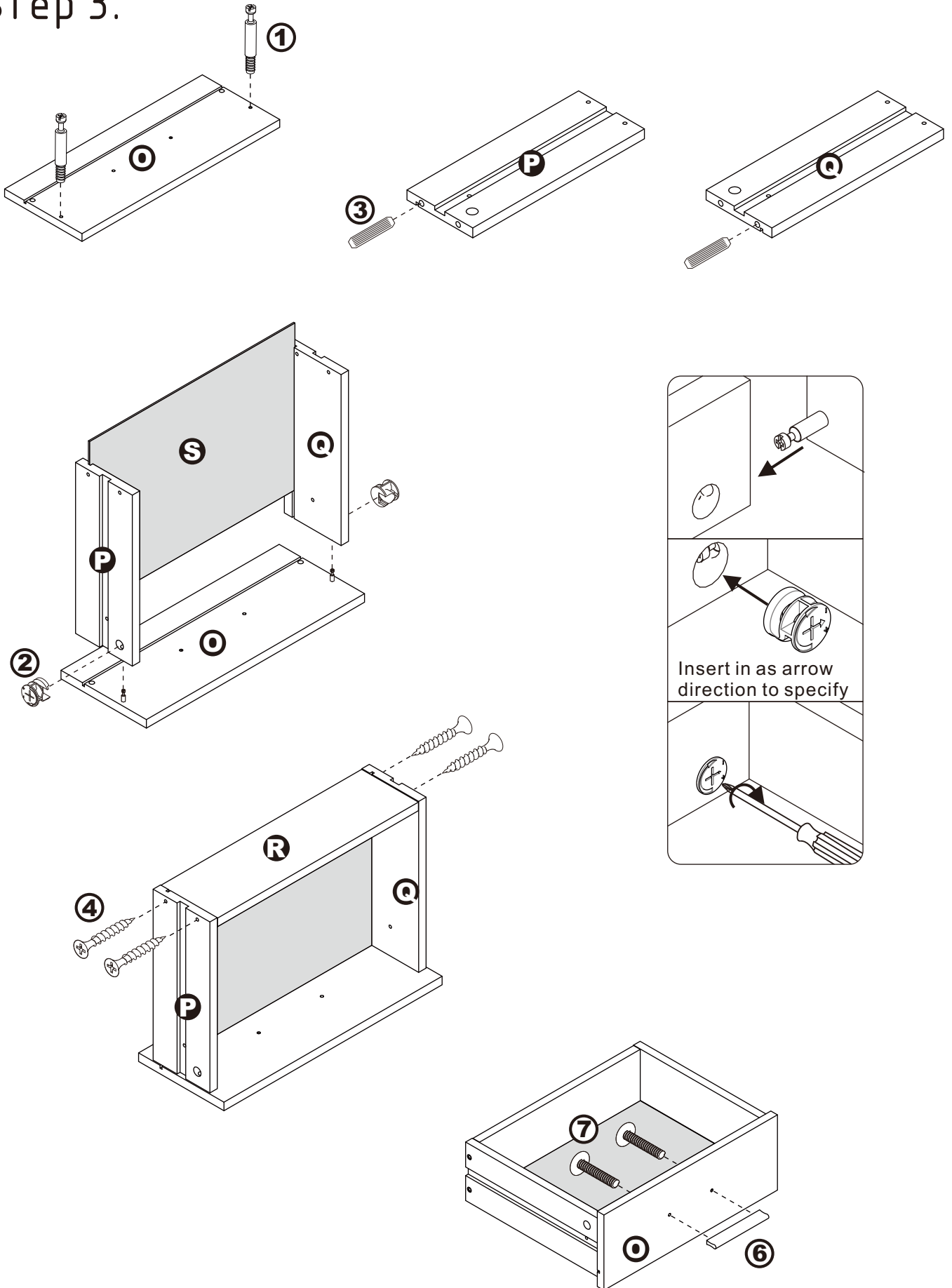


Push runner to see screw holes on the other end



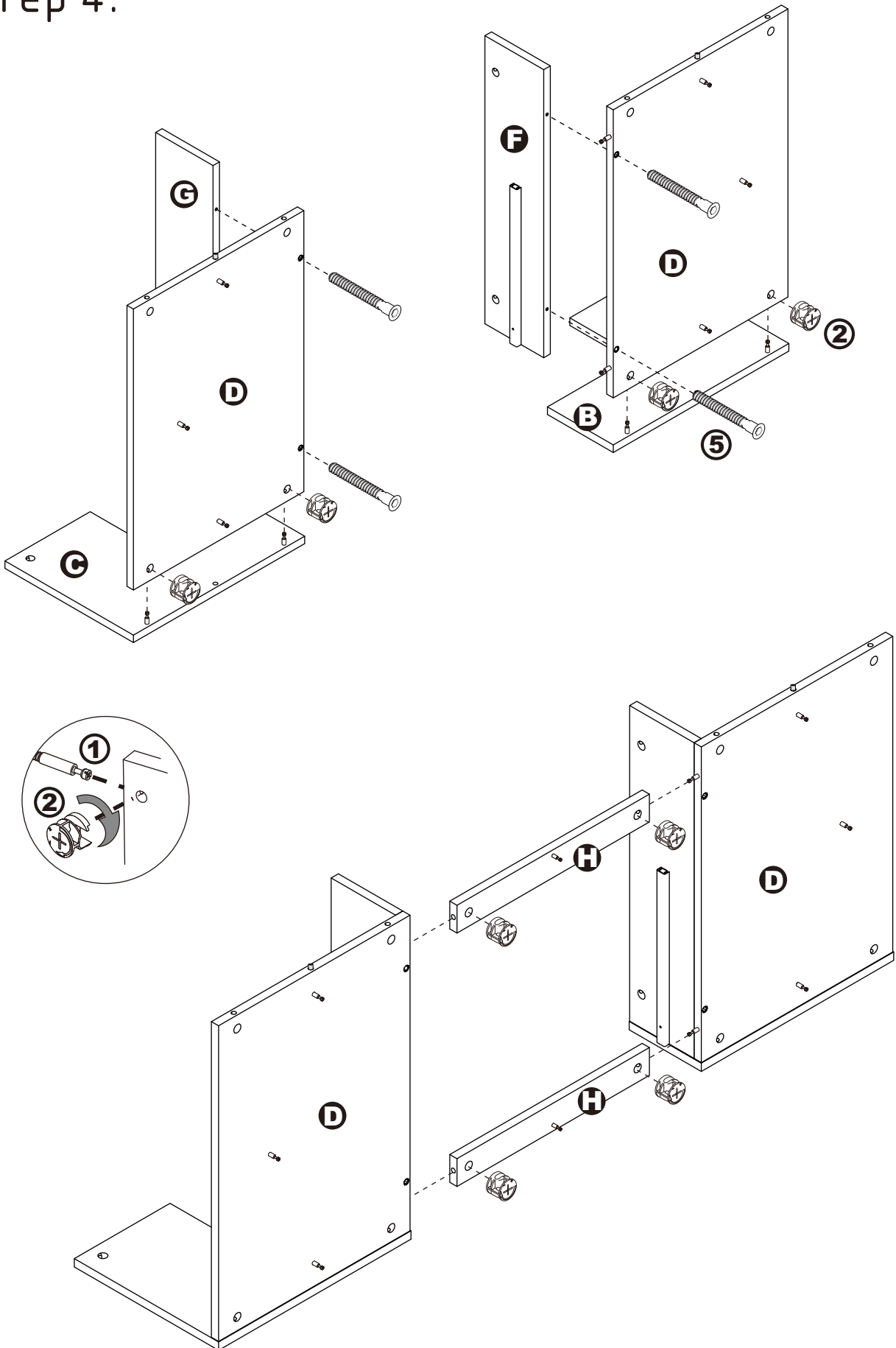
# ASSEMBLY INSTRUCTIONS

## Step 3.



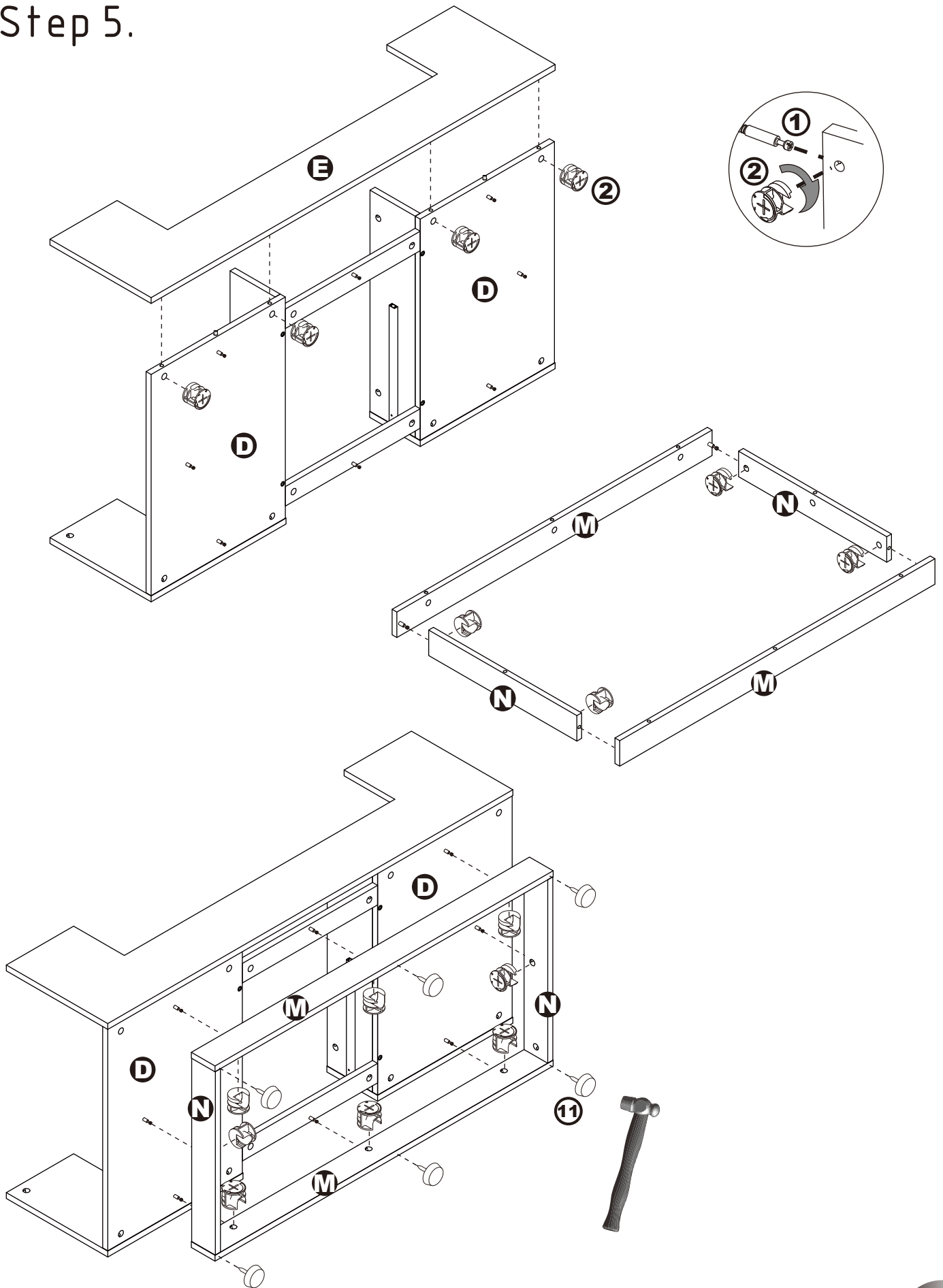
# ASSEMBLY INSTRUCTIONS

## Step 4.



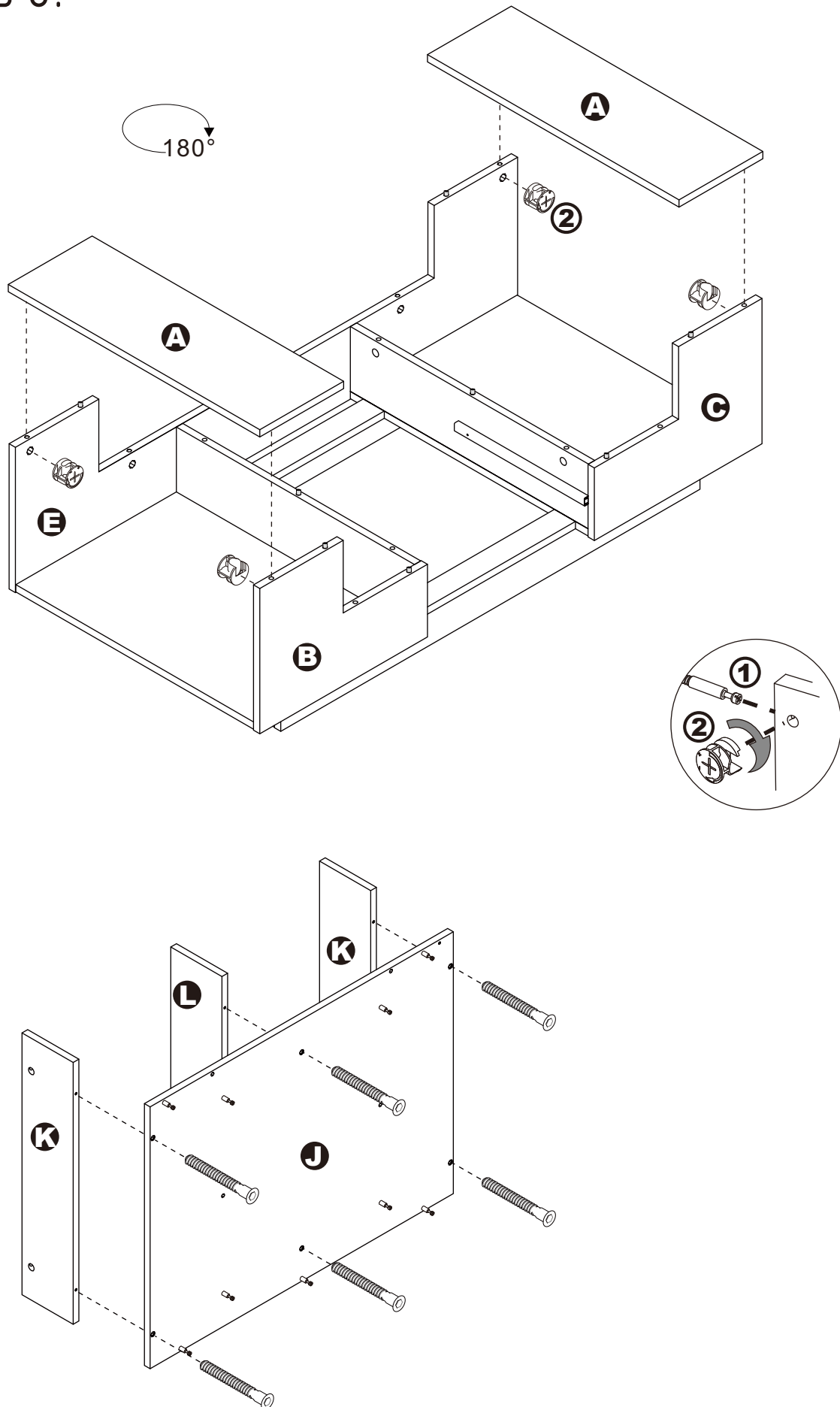
# ASSEMBLY INSTRUCTIONS

## Step 5.



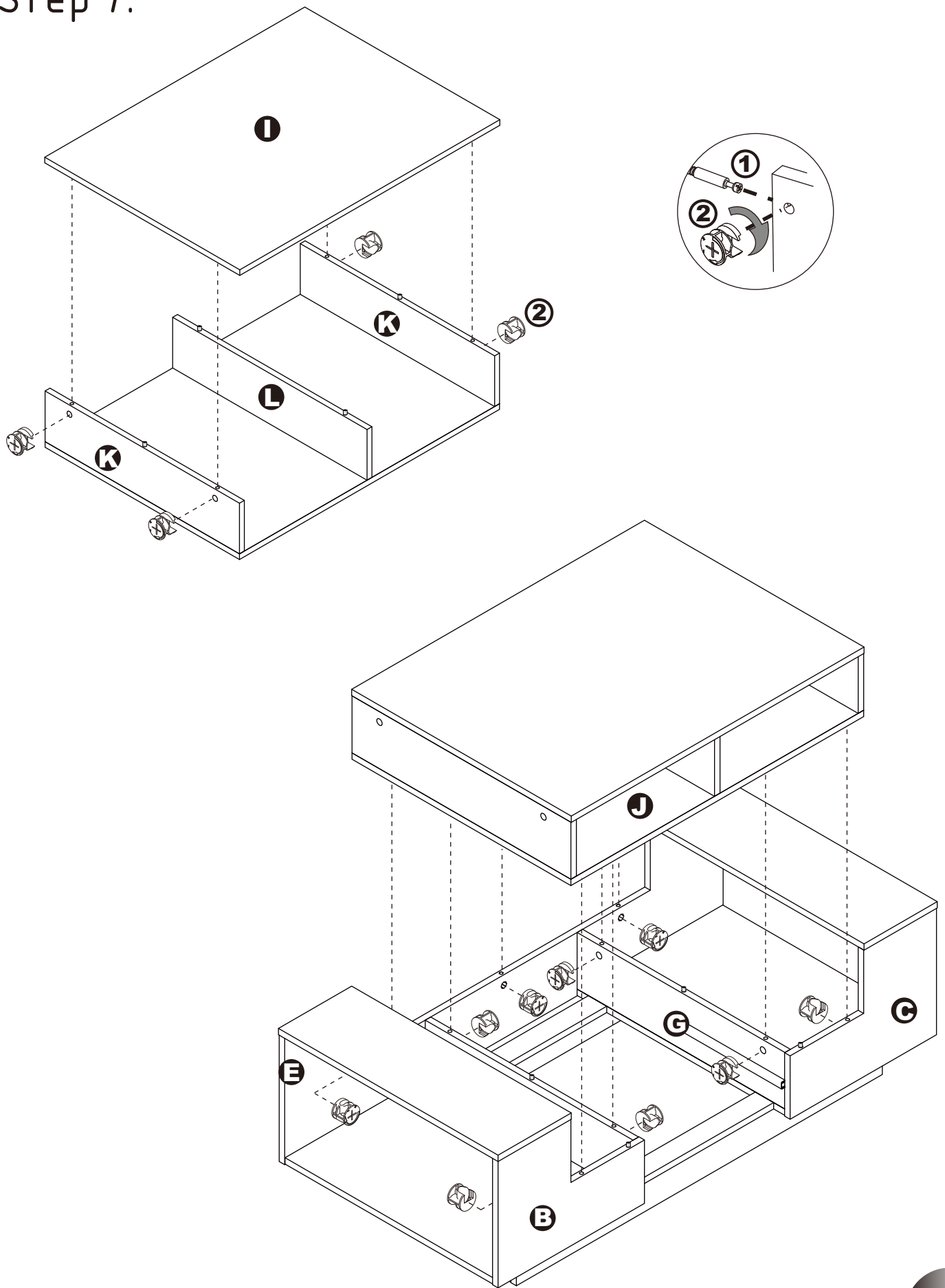
# ASSEMBLY INSTRUCTIONS

## Step 6.



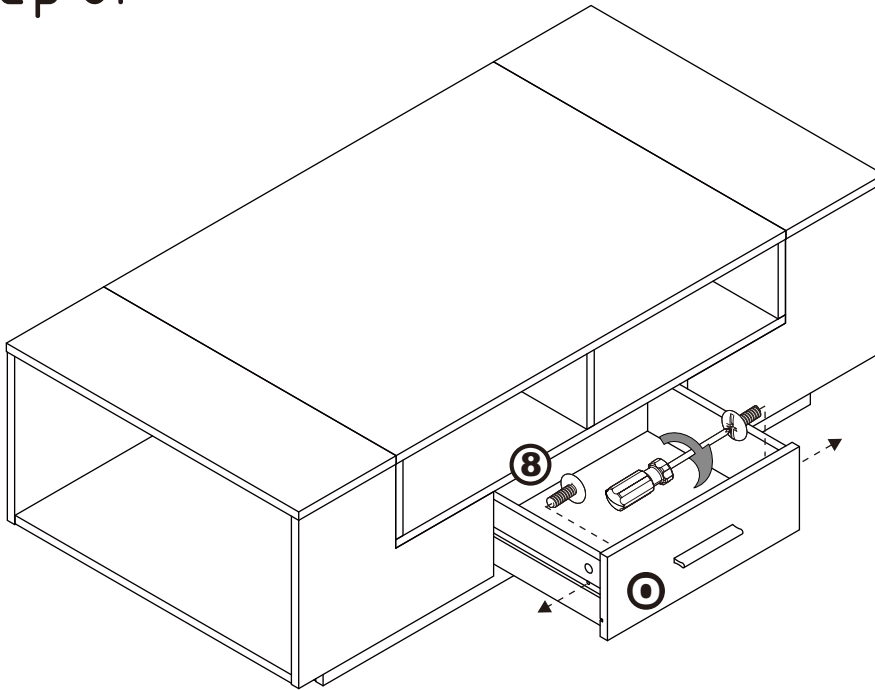
# ASSEMBLY INSTRUCTIONS

Step 7.



# ASSEMBLY INSTRUCTIONS

## Step 8.



Extend the two outer slides of the runners so that they could align with the sides of the drawer. Make sure the pre-drilled holes from the drawer align with the screw holes of the outer slides. Secure two screws from the inside of the drawer using a Phillips screwdriver to tighten them to the outer slides.

## **ASSEMBLY IS COMPLETED**

Make sure the product is rested on a flat surface and does not feel loose or wobbly. If it does, double check that the bolts/screws are secured and properly tightened.