



# ASSEMBLY INSTRUCTIONS



# YULIKA

## Bedside Table

---

### Thank You for Choosing Yulika

Dear Customer,

Thank you for purchasing the **Yulika Rattan Bedside Table with Drawer**. We sincerely appreciate your trust in our brand and hope this furniture brings natural warmth and convenience to your daily life.

Should you have any questions or encounter any installation issues, please feel free to contact us at [service@theyulika.com](mailto:service@theyulika.com) - our support team will be happy to assist you.

### Product Overview

This bedside table features a hand-woven rattan drawer front, blending natural materials with modern minimalism. Crafted from high-quality engineered wood and smooth metal runners, it offers both aesthetic appeal and reliable functionality.

### Product Highlights

- . Stylish and Functional - A versatile design that fits effortlessly into bedrooms, living rooms, or reading corners.
- . Natural Rattan Finish - Hand-woven drawer face offers breathability and organic charm.
- . Smooth Drawer Slide - Metal rails ensure easy, stable opening and closing.
- . Compact Size - Ideal for small spaces while providing practical storage.
- . Easy Assembly - Labeled components and clear instructions for two-person setup.

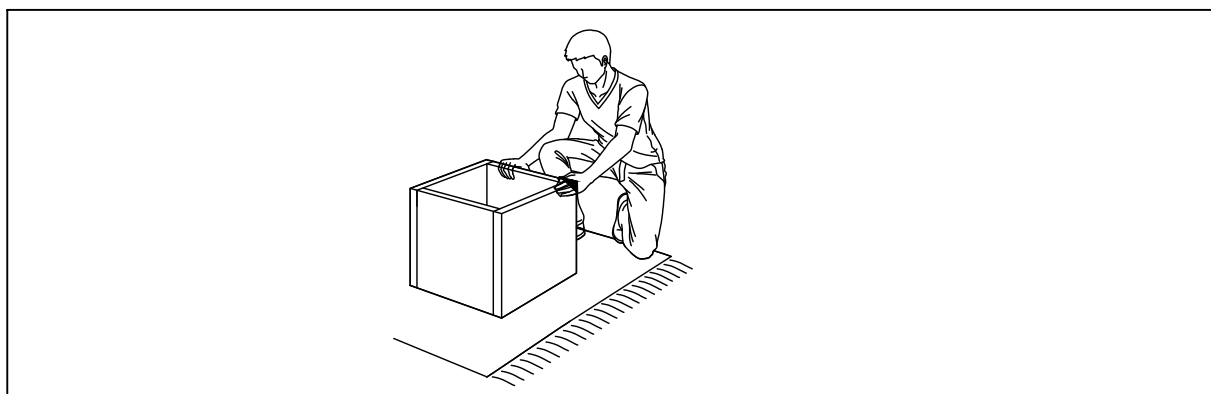
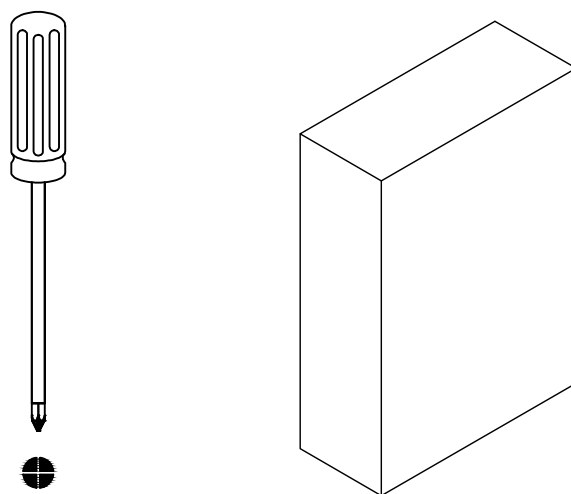
### Safety & Maintenance

- . Assemble the furniture on a soft surface such as a carpet or cardboard to avoid scratches.
- . Avoid placing the product near direct sunlight or heat sources for long periods.
- . Clean the rattan surface with a soft, dry cloth. Avoid excessive moisture.
- . Check screws and fittings periodically to maintain stability.

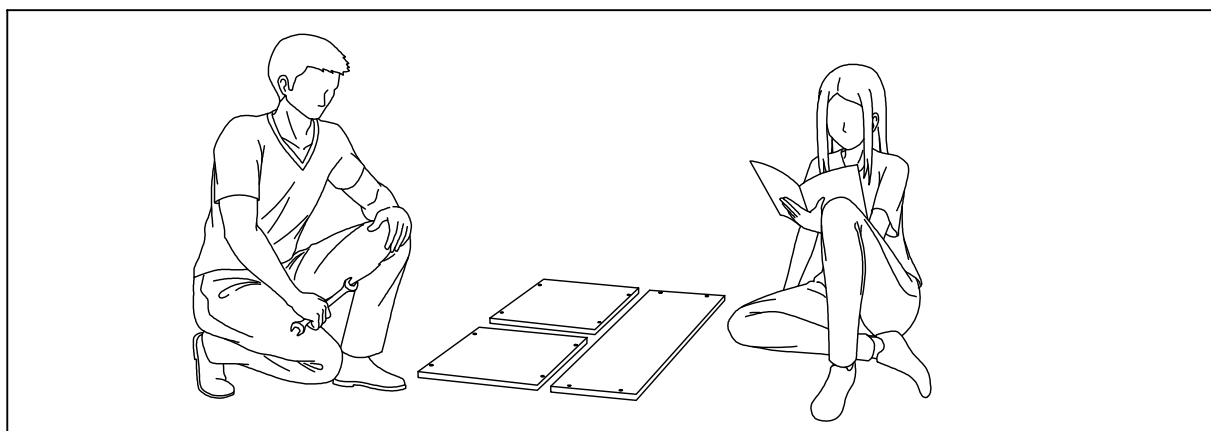
### After-Sales Support

For missing or damaged parts, replacement requests, or assembly assistance, please contact: [service@theyulika.com](mailto:service@theyulika.com)

Thank you again for choosing **Yulika - Smart Living, Warmth Within Reach.**

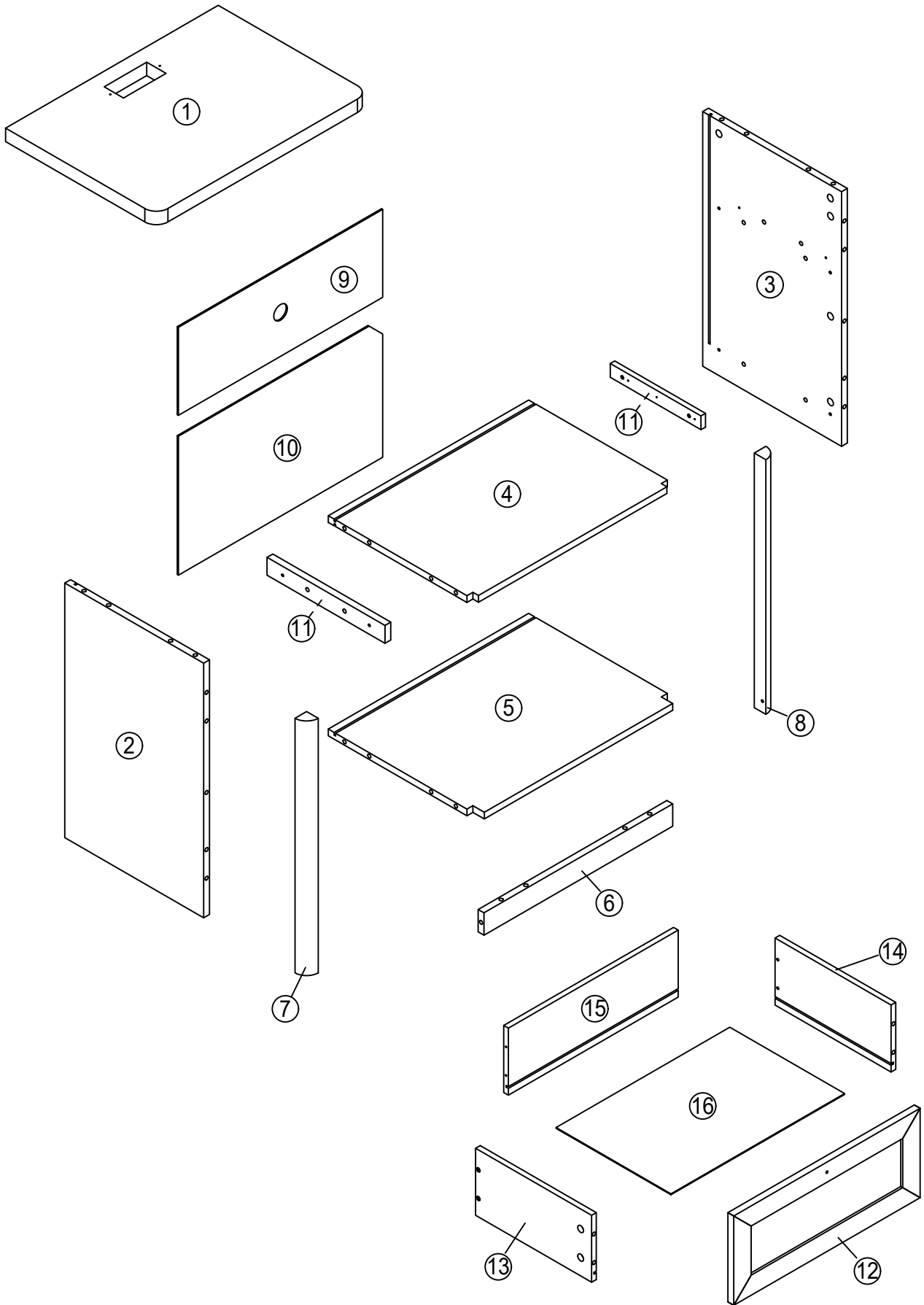


Assemble the furniture on empty carton, carpet, or rug to prevent scratches or damage.

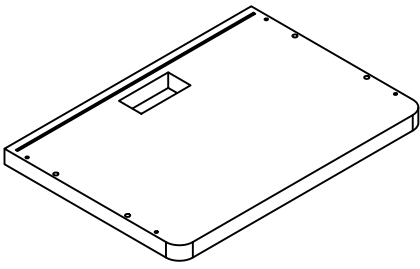


This furniture requires 2 people to assembly.  
Make sure no parts are missing or damaged before assembly.

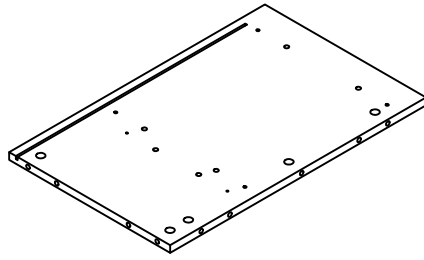
Not actual size



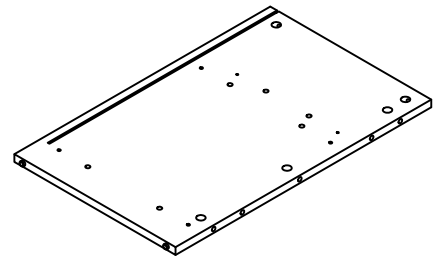
Not actual size



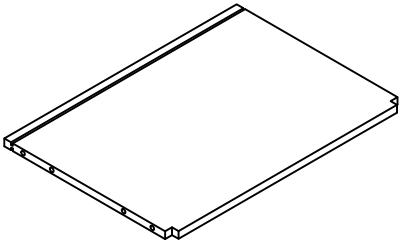
① X1



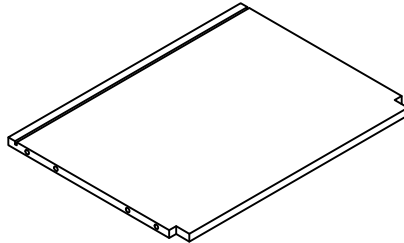
② X1



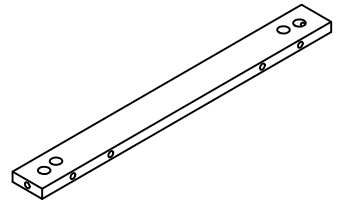
③ X1



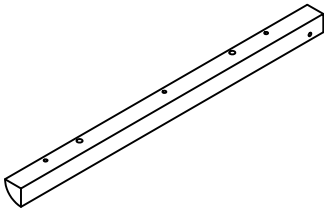
④ X1



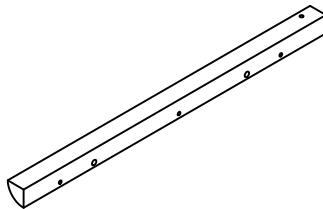
⑤ X1



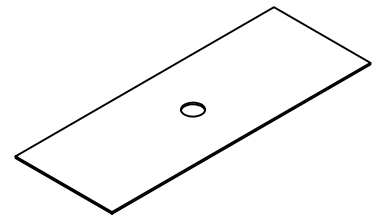
⑥ X1



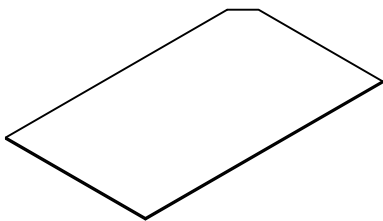
⑦ X1



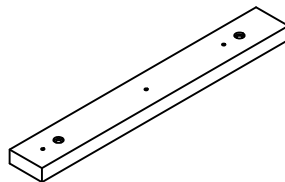
⑧ X1



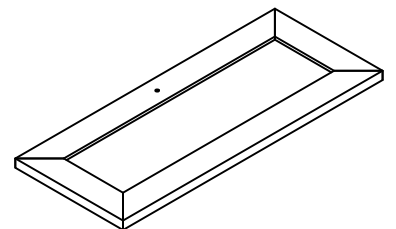
⑨ X1



⑩ X1

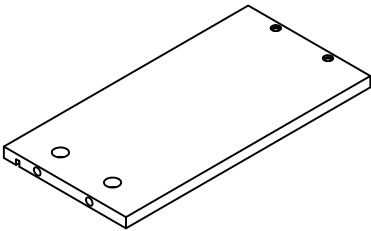


⑪ X2

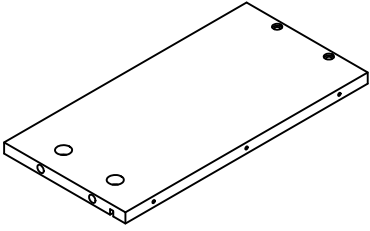


⑫ X1

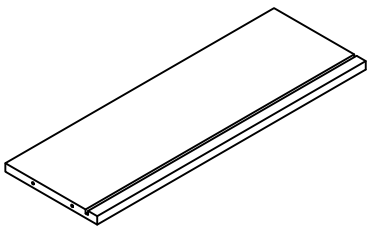
Not actual size



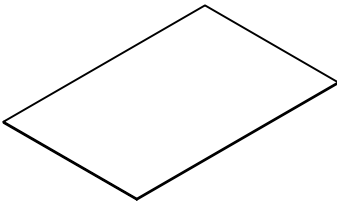
⑬X1



⑭X1

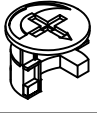


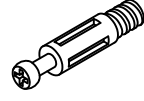
⑮X1

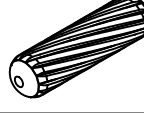


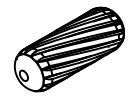
⑯X1


# Not actual size


(A)	X26+2
	
ø15*9.5	

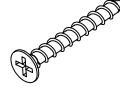
(B)	X26+2
	
ø6.5*35	

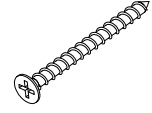
(C)	X18+2
	
ø8*30	


(D)	X4+1
	
ø8*20	


(E)	X12+2
	
ø3.5*14	


(F)	X6+1
	
ø3*12	


(G)	X4+1
	
ø4*25	

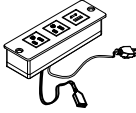
(H)	X4+1
	
ø4*35	

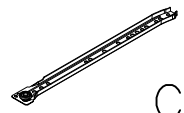
(I)	X1+1
	
M4*19	

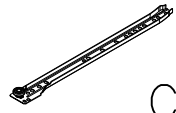
(J)	X1
	
ø20	

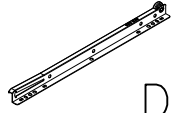
(K)	X2+1
	
32*6*5.8	

(L)	X1set
	

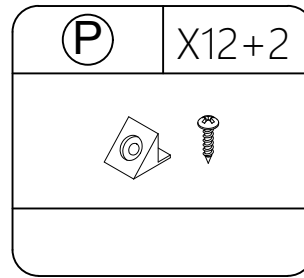
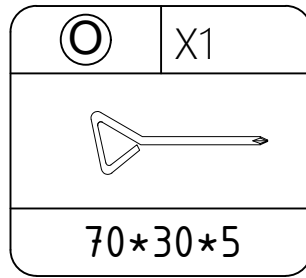
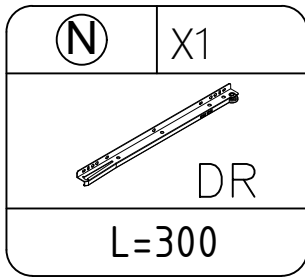
(M)	X1
	
145*55*45	

(N)	X1
	
CL L=300	

(N)	X1
	
CR L=300	

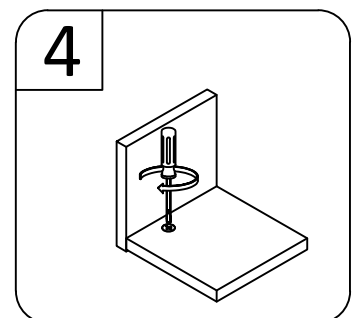
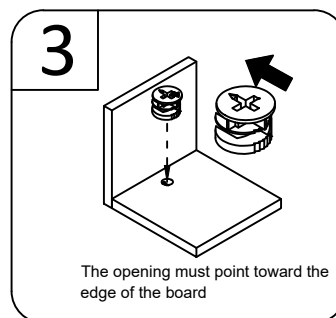
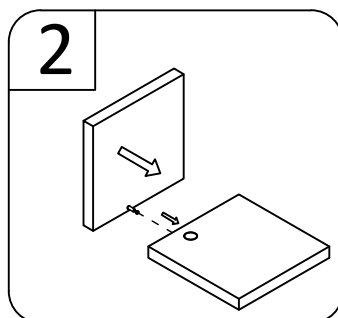
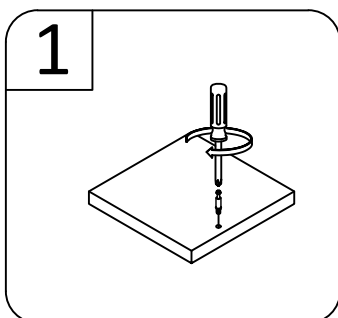
(N)	X1
	
DL L=300	

Not actual size

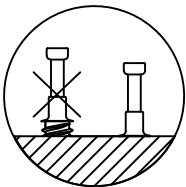
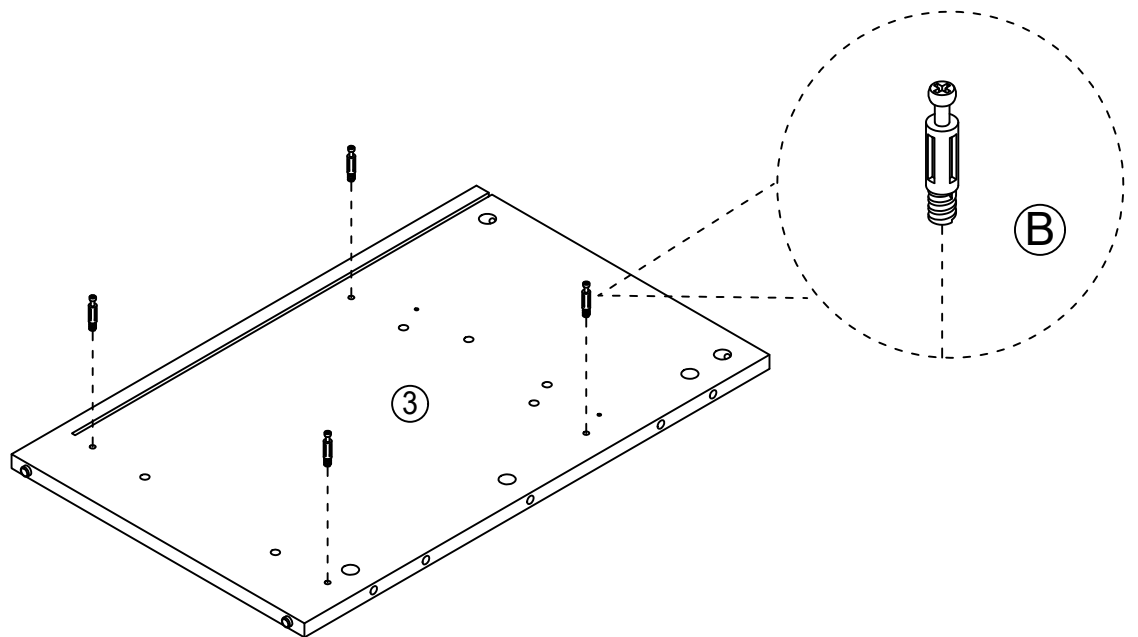
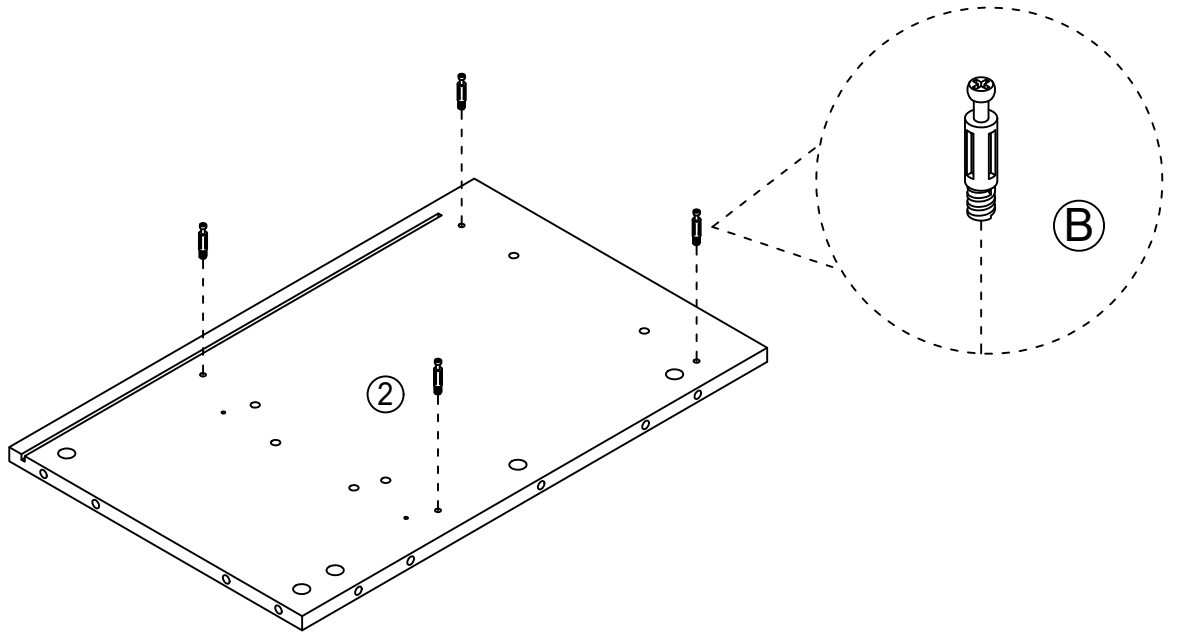
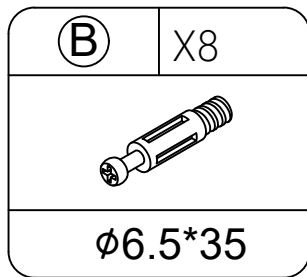
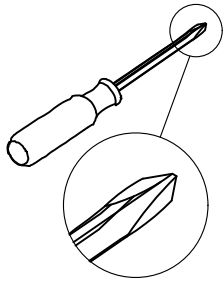


## Cam Lock Fastening System

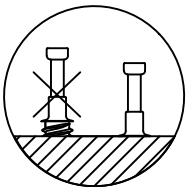
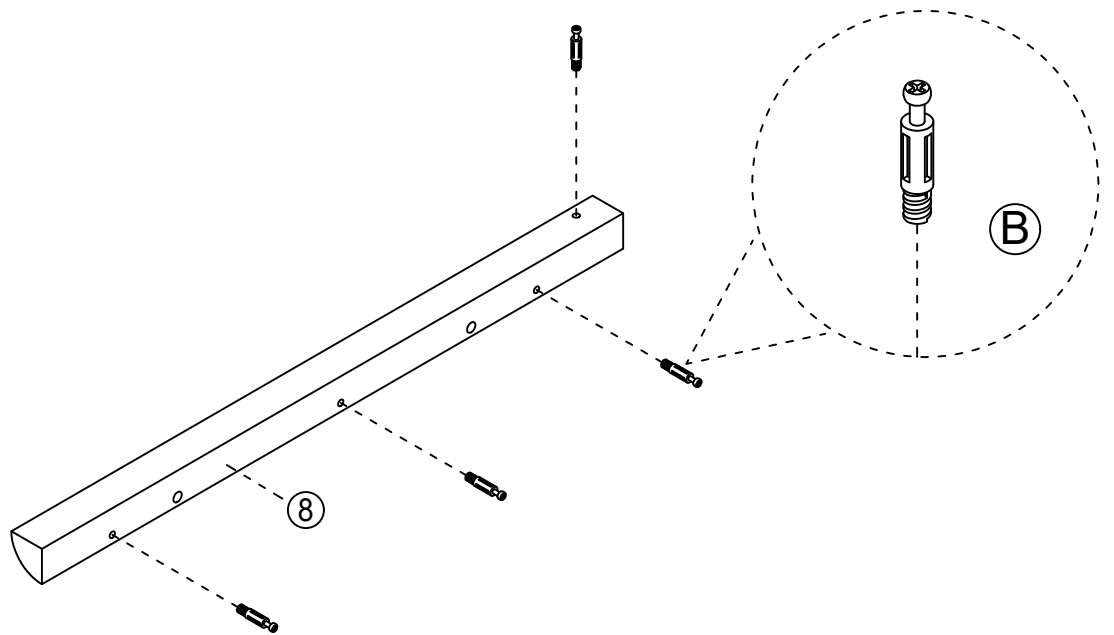
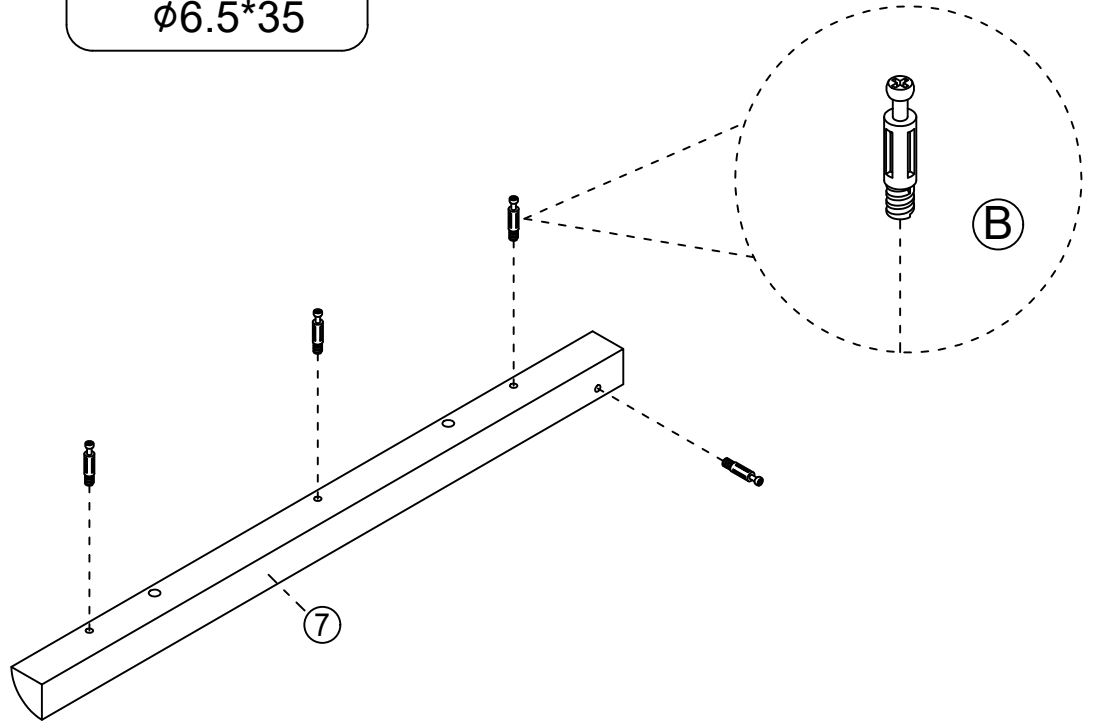
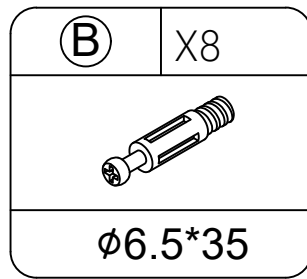
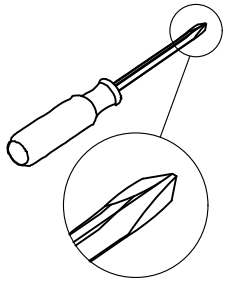
Insert the cam bolt into the hole first, then insert the cam lock and lock it.



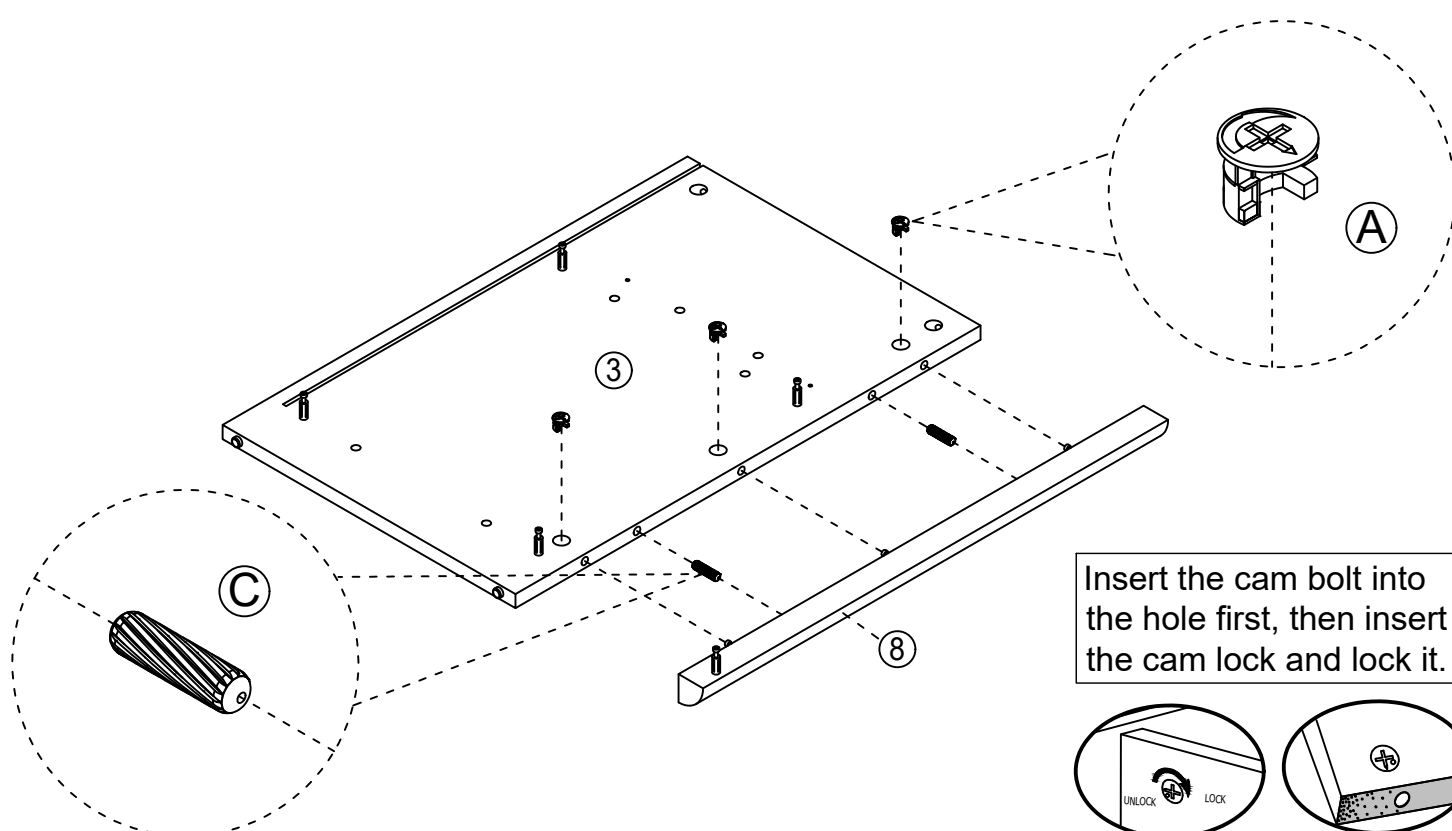
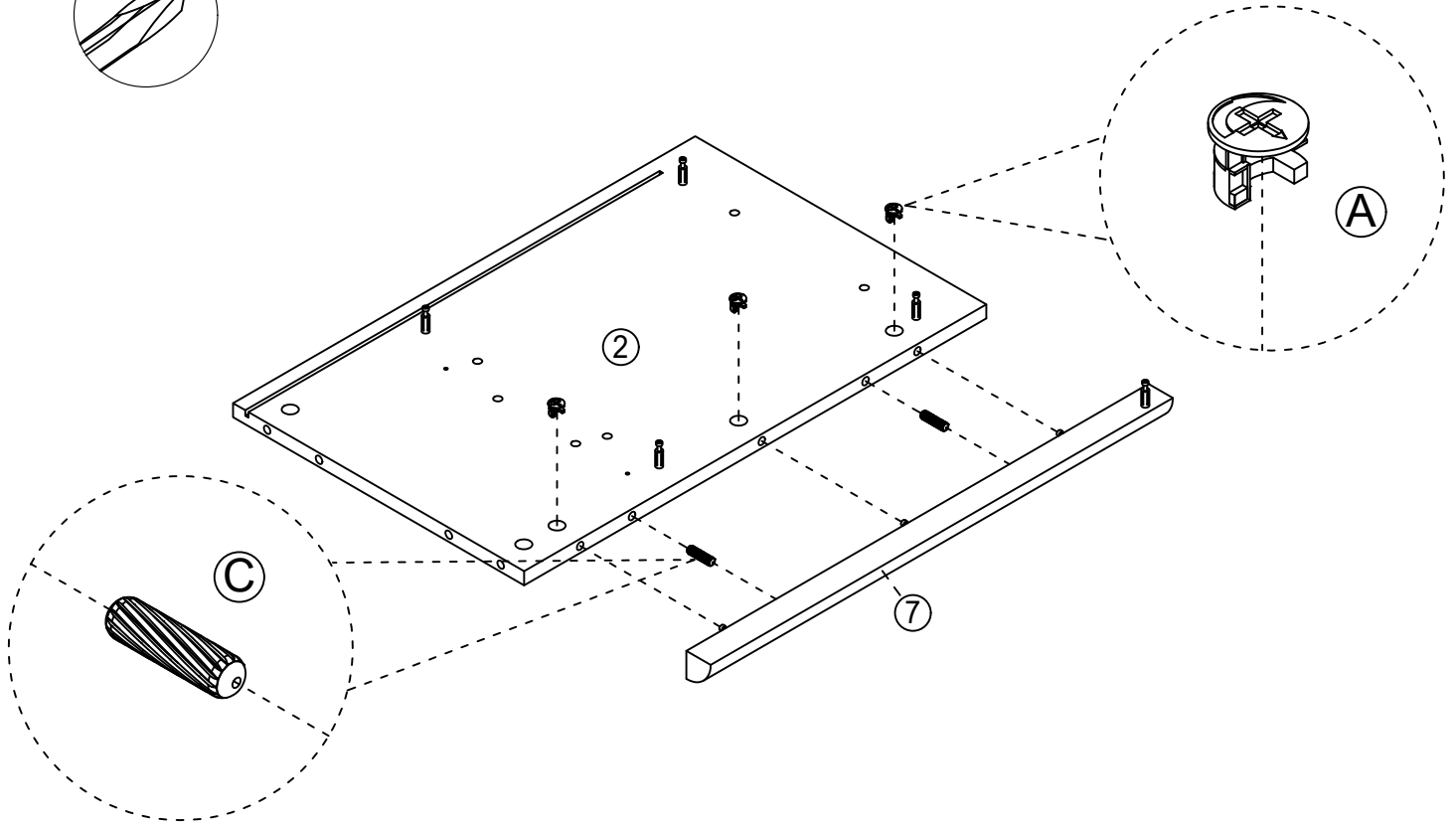
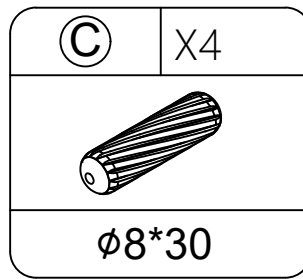
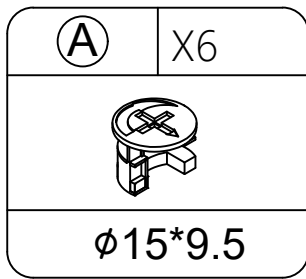
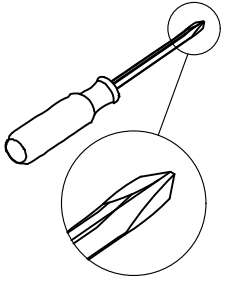
# STEP 1



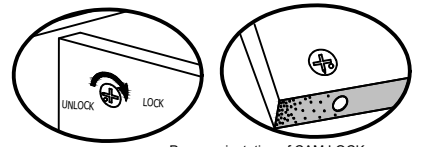
# STEP 2



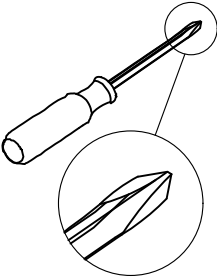
# STEP 3



Insert the cam bolt into the hole first, then insert the cam lock and lock it.

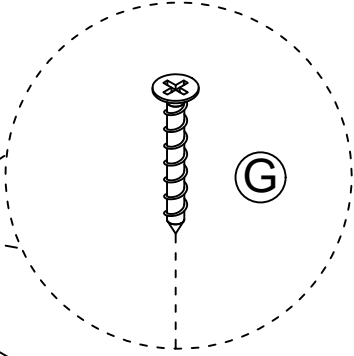
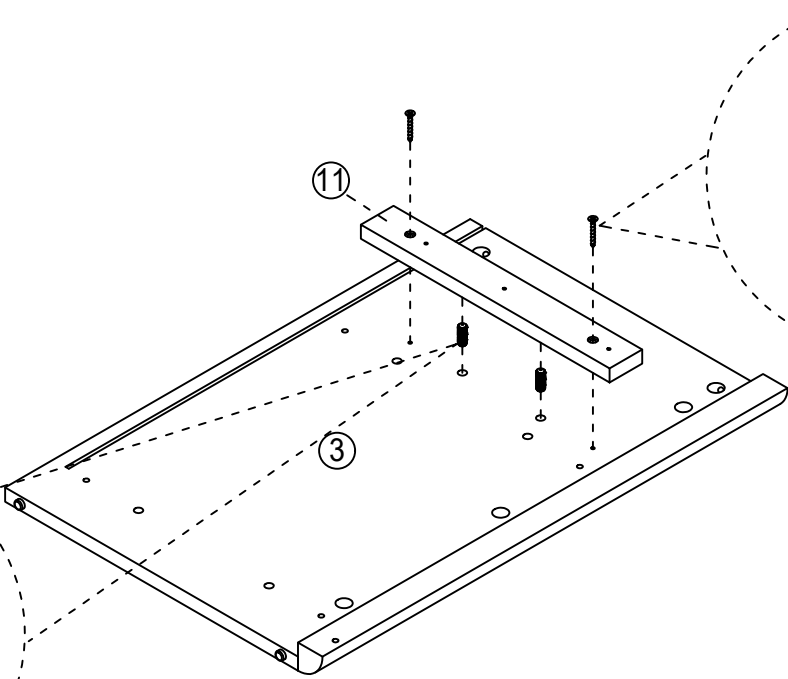
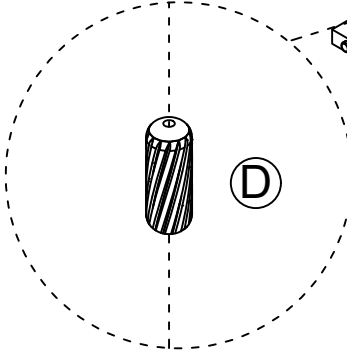
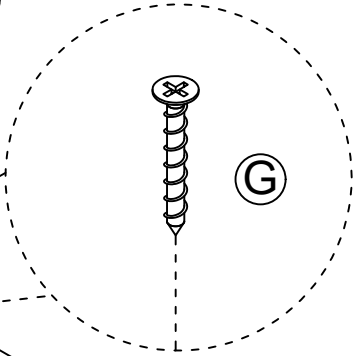
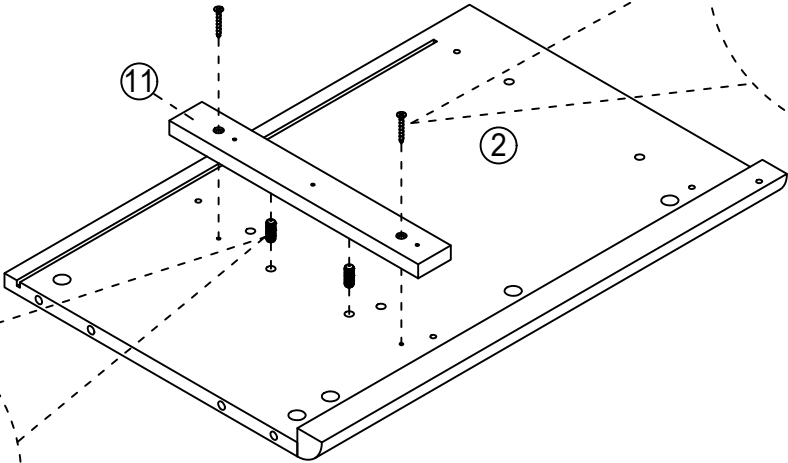
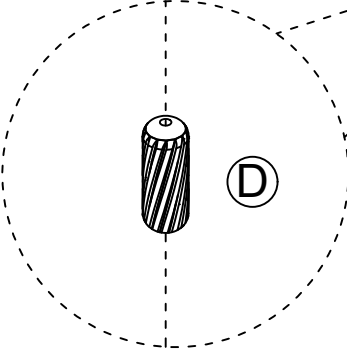


# STEP 4

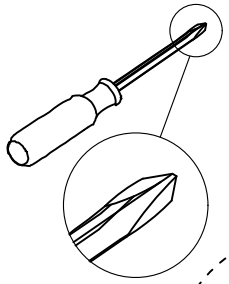


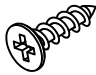
(D)	X4
ø8*20	

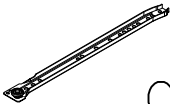
(G)	X4
ø4*25	

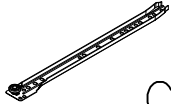


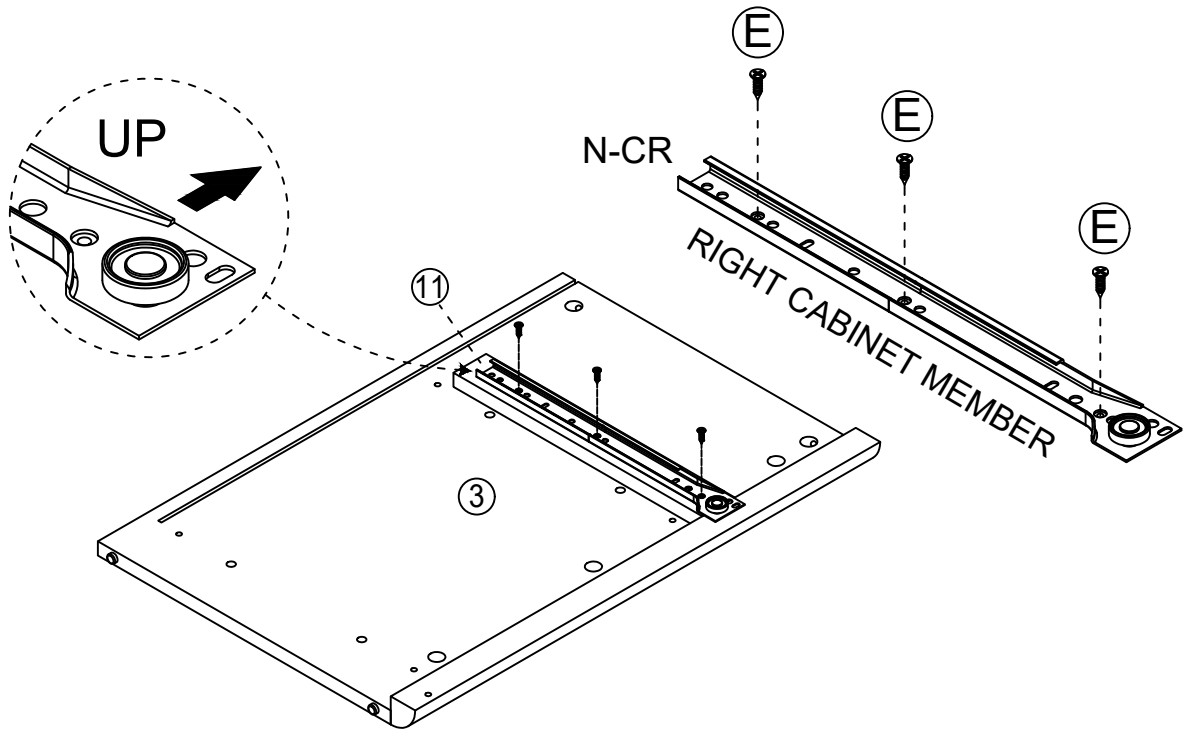
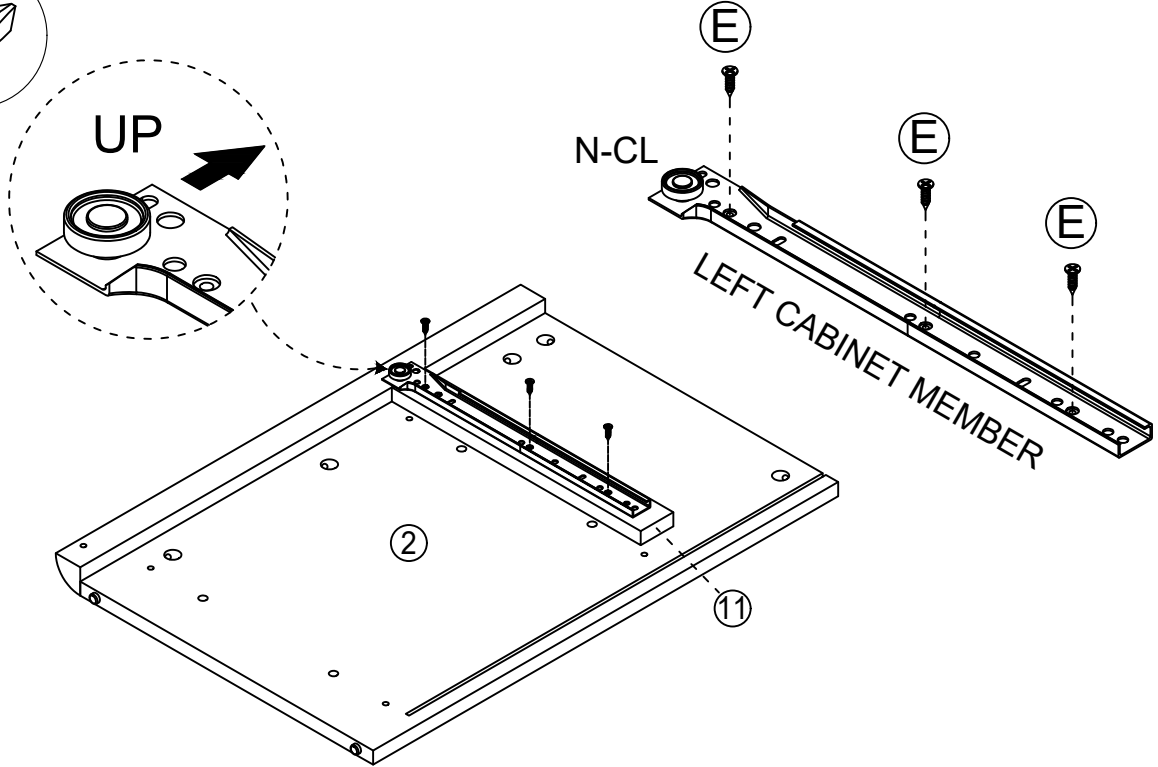
# STEP 5



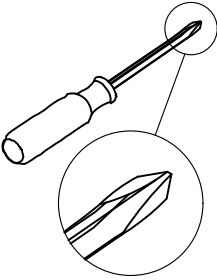
(E)	X6
	
ø3.5*14	

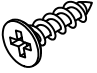
(N)	X1
	
CL L=300	

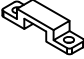
(N)	X1
	
CR L=300	




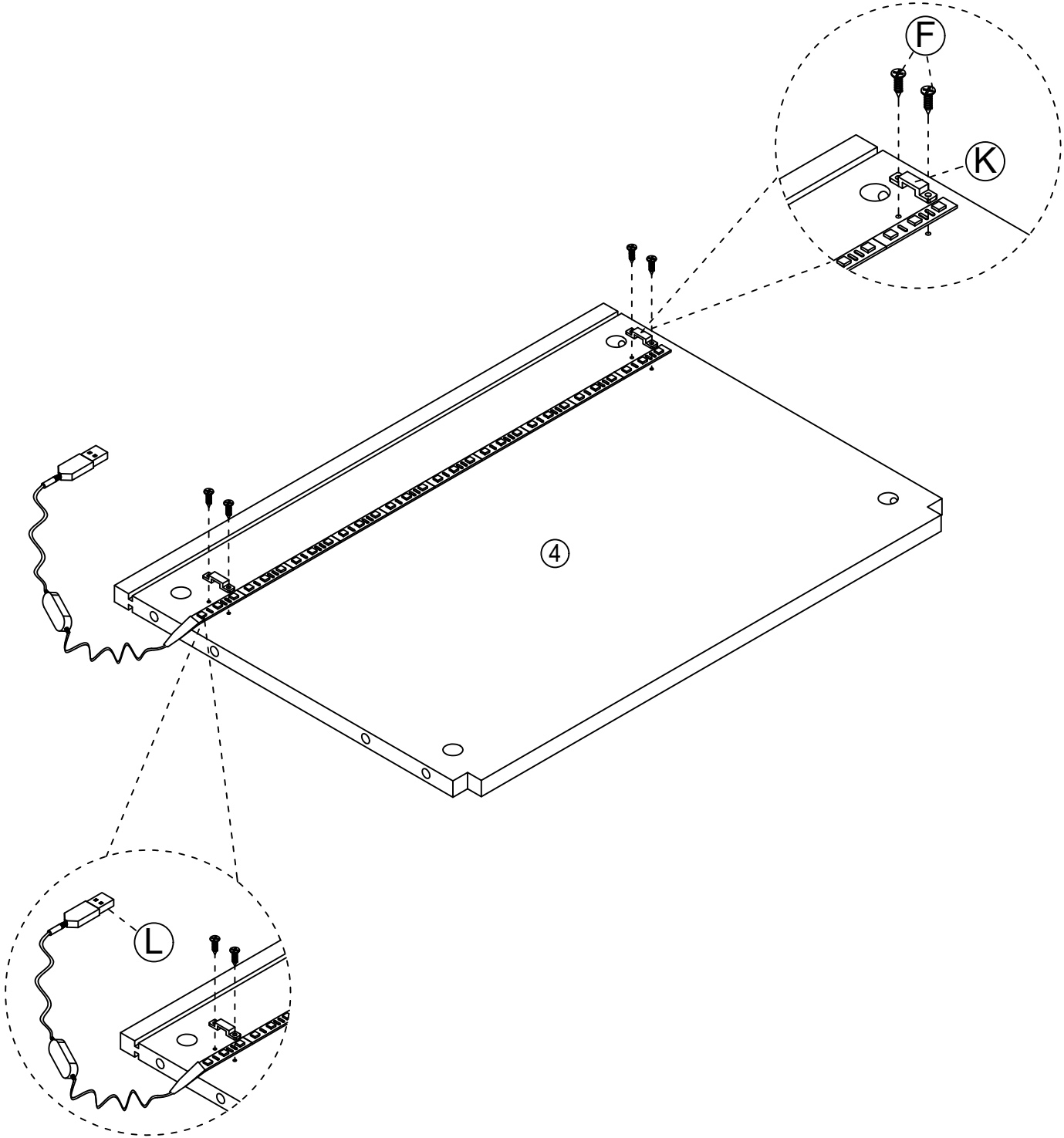
# STEP 6



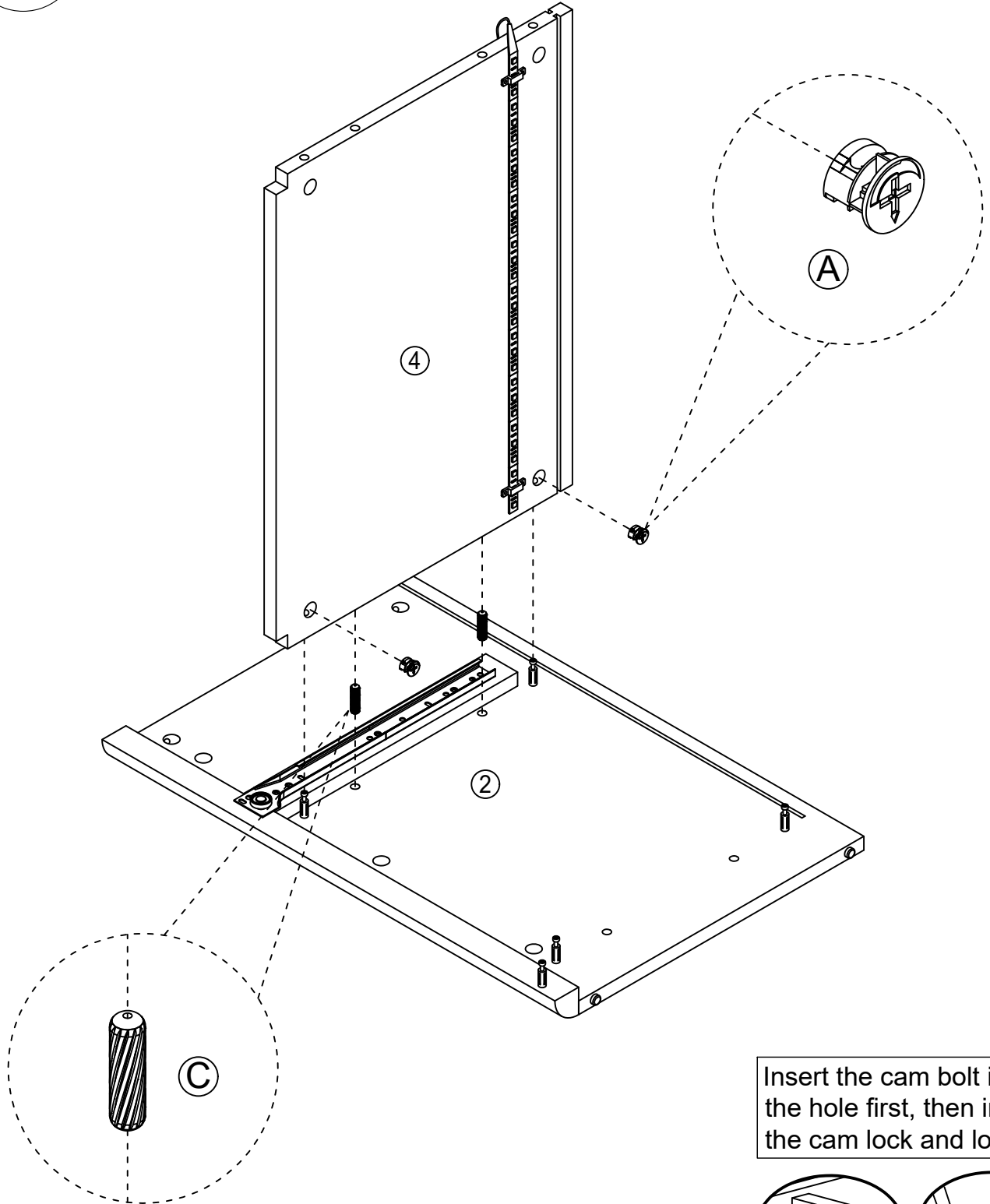
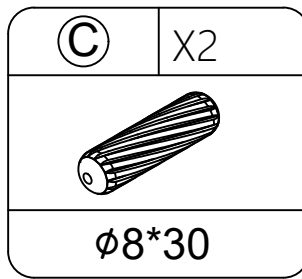
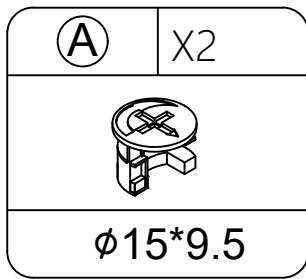
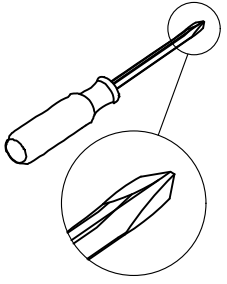
(F)	X4
	
Ø3*12	

(K)	X2
	
32*6*5.8	

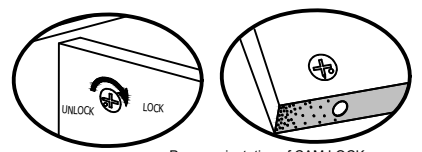
(L)	X1set
	



# STEP 7

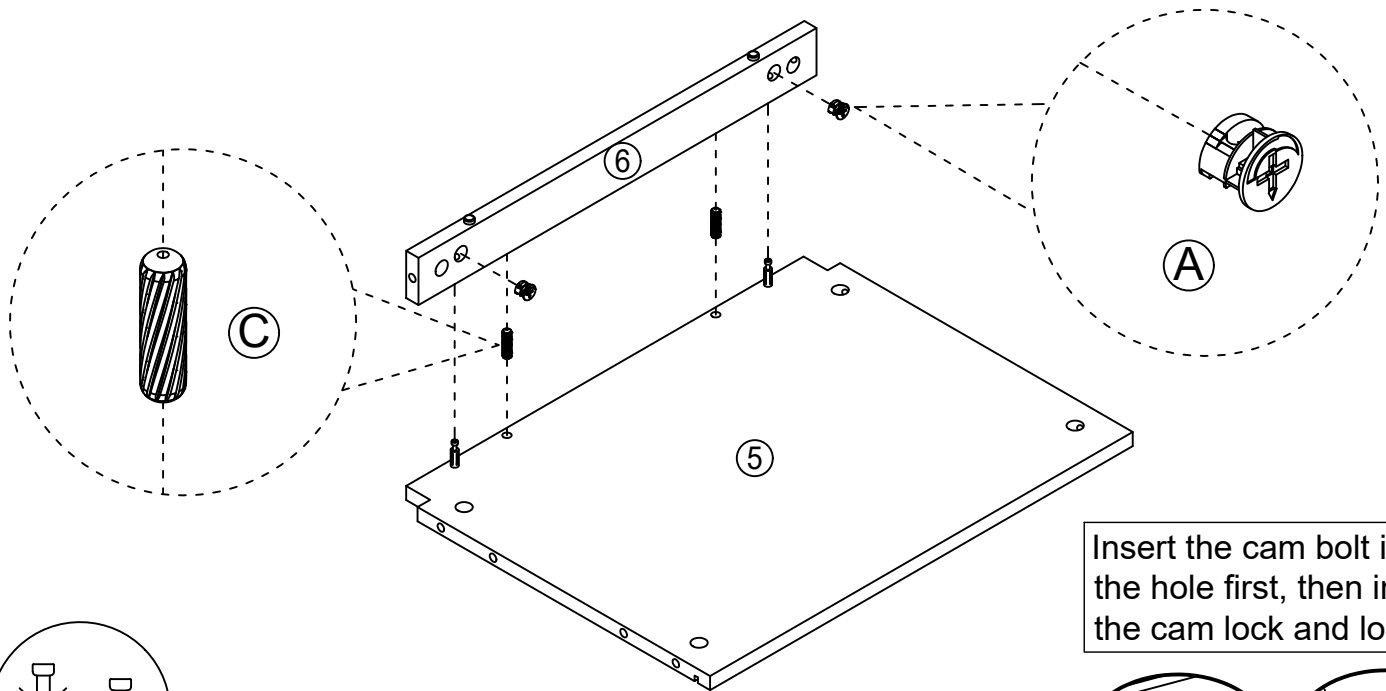
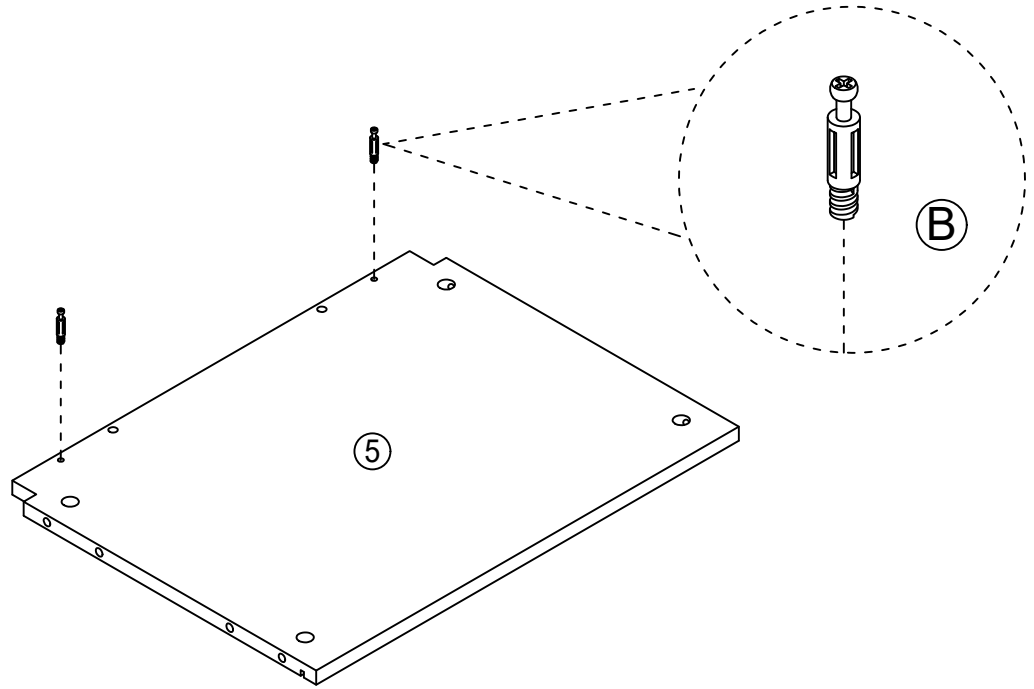
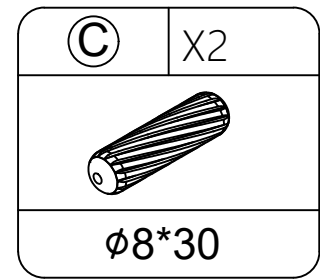
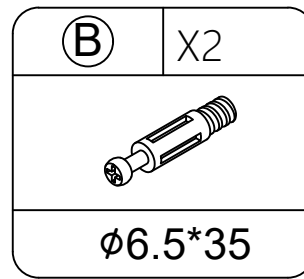
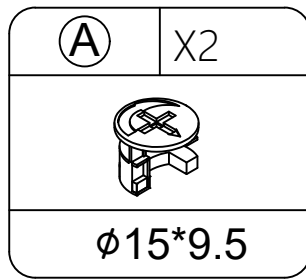
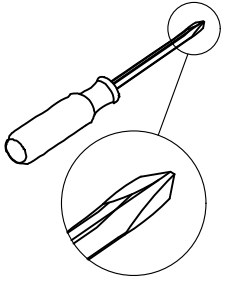


Insert the cam bolt into the hole first, then insert the cam lock and lock it.

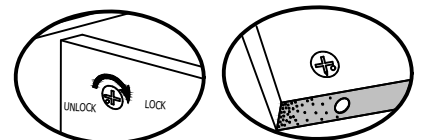
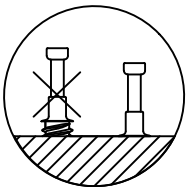


Proper orientation of CAM LOCK

# STEP 8

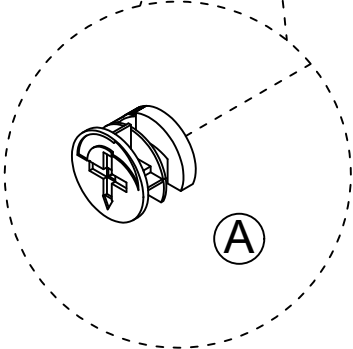
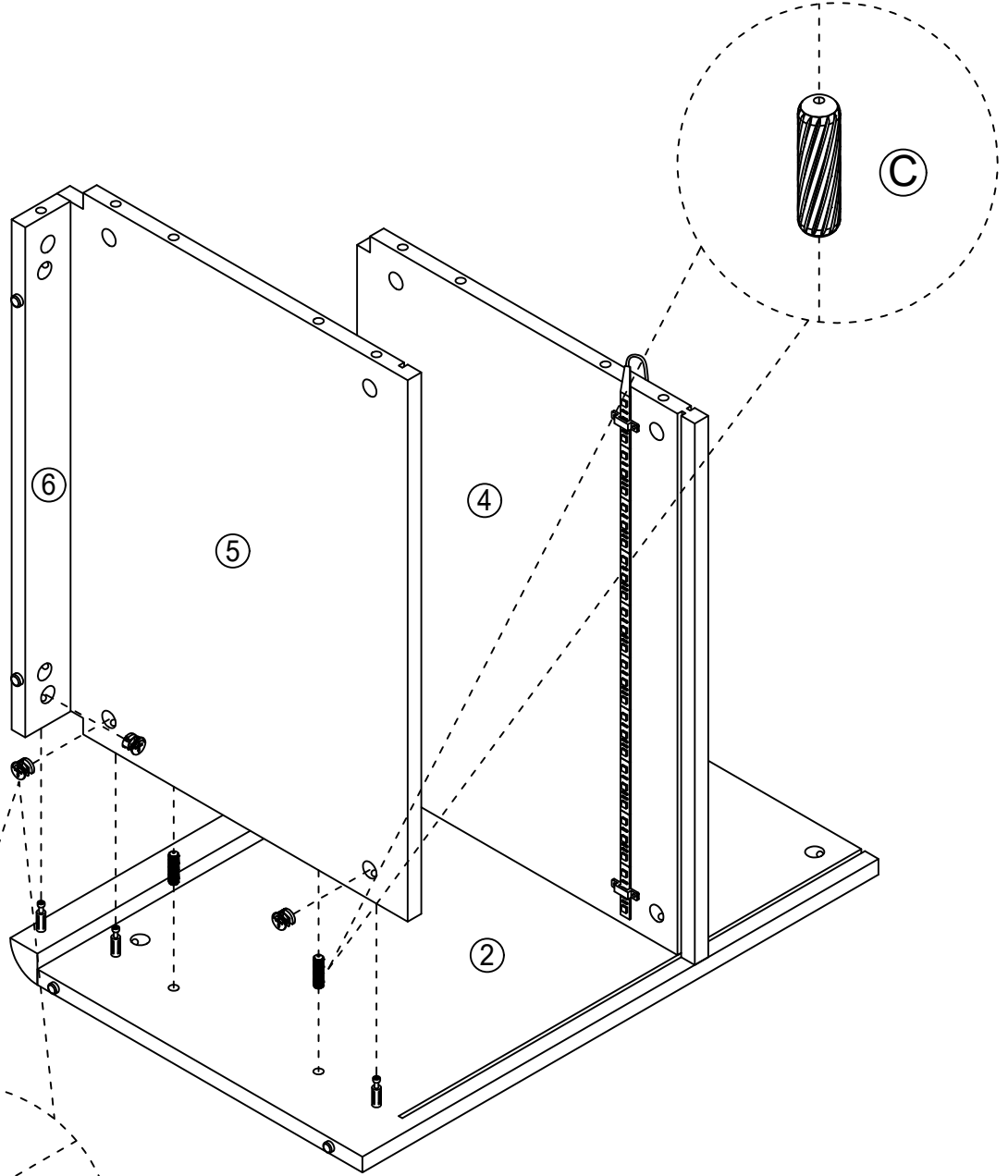
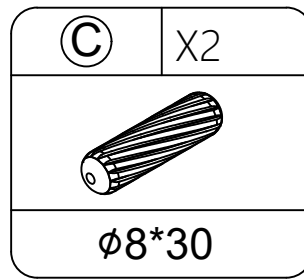
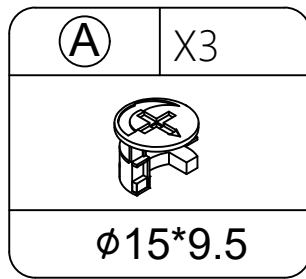
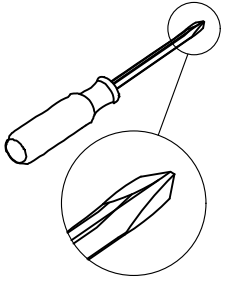


Insert the cam bolt into the hole first, then insert the cam lock and lock it.

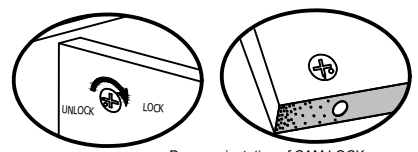


Proper orientation of CAM LOCK

# STEP 9

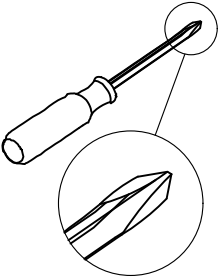


Insert the cam bolt into the hole first, then insert the cam lock and lock it.

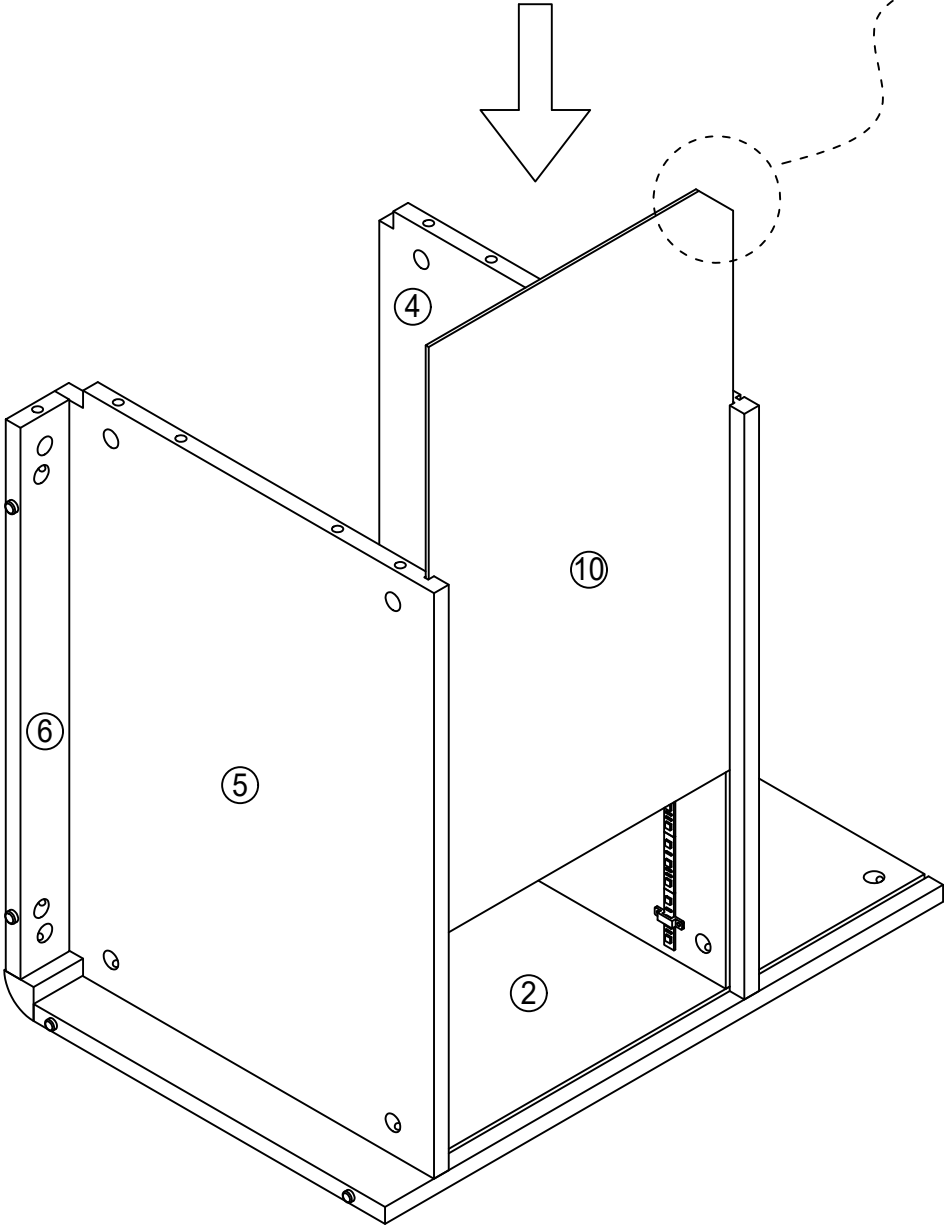


Proper orientation of CAM LOCK

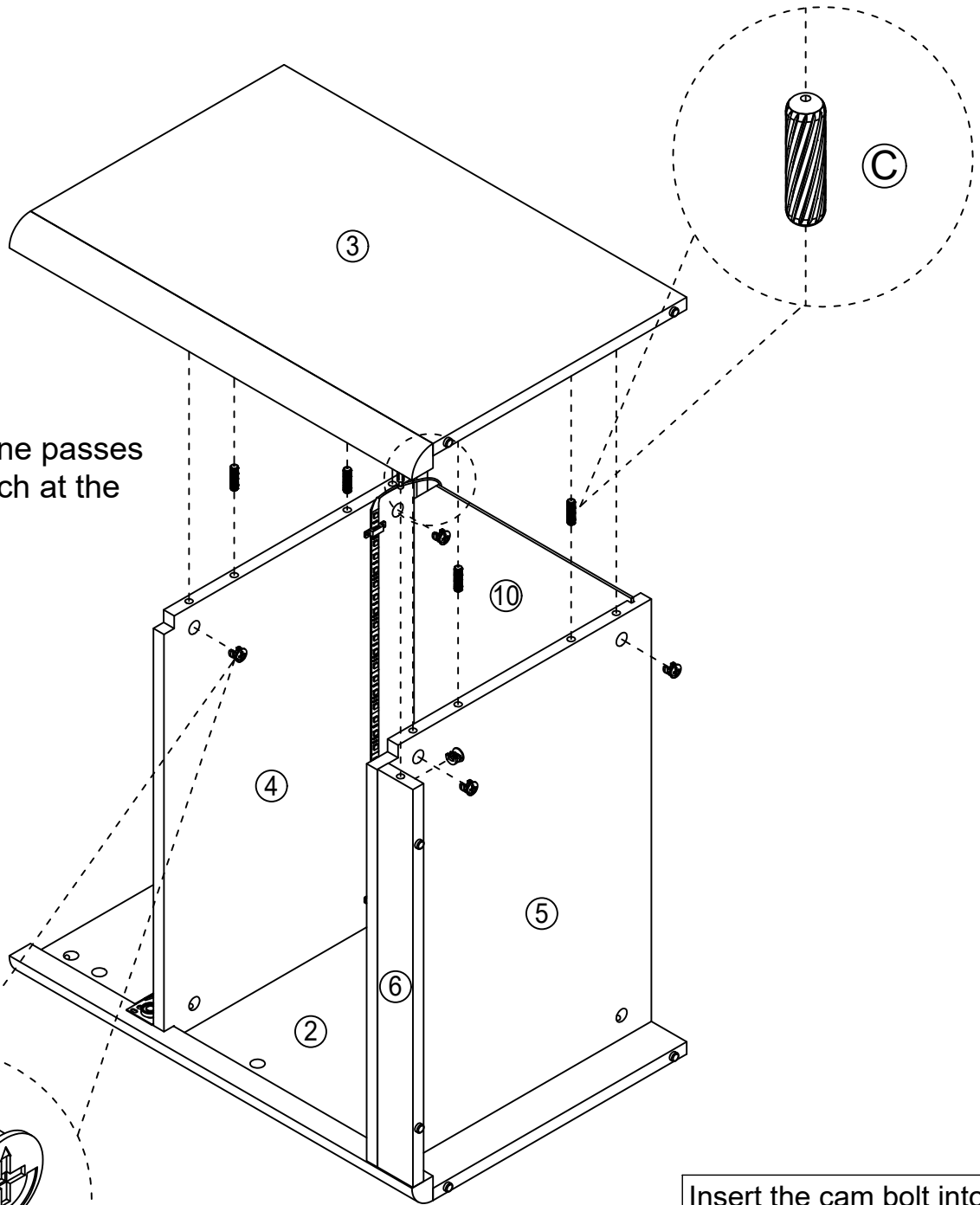
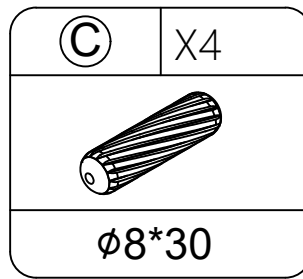
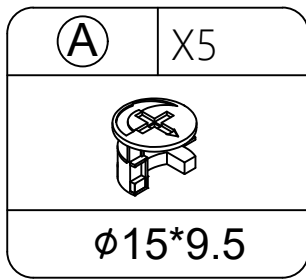
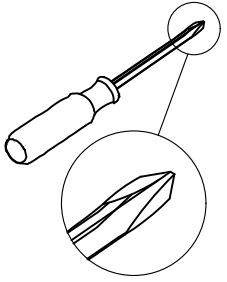
# STEP 10



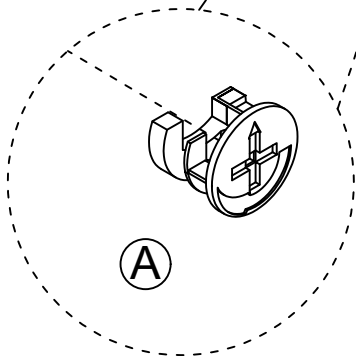
There is a gap here.



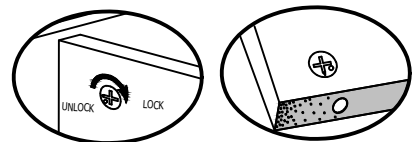
# STEP 11



The strip light line passes through the notch at the backboard.

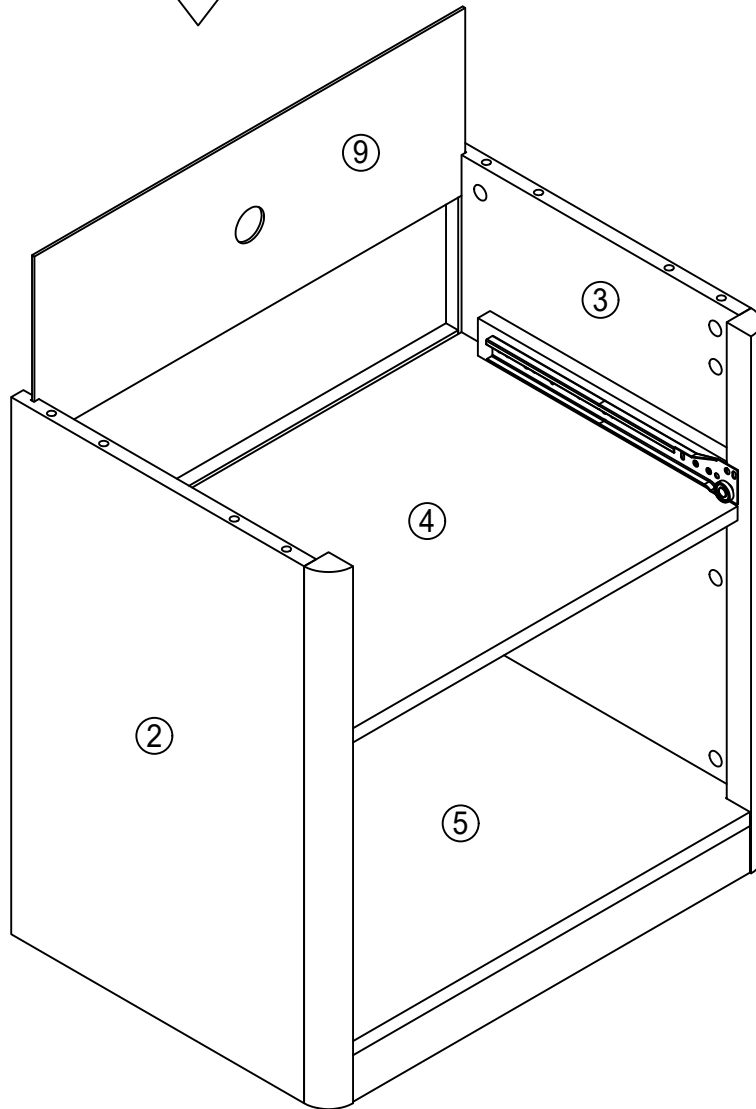
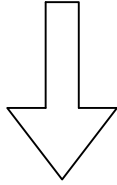
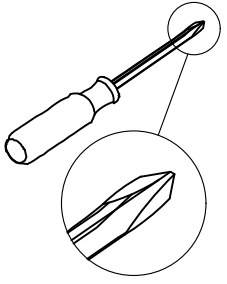


Insert the cam bolt into the hole first, then insert the cam lock and lock it.

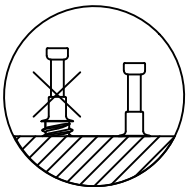
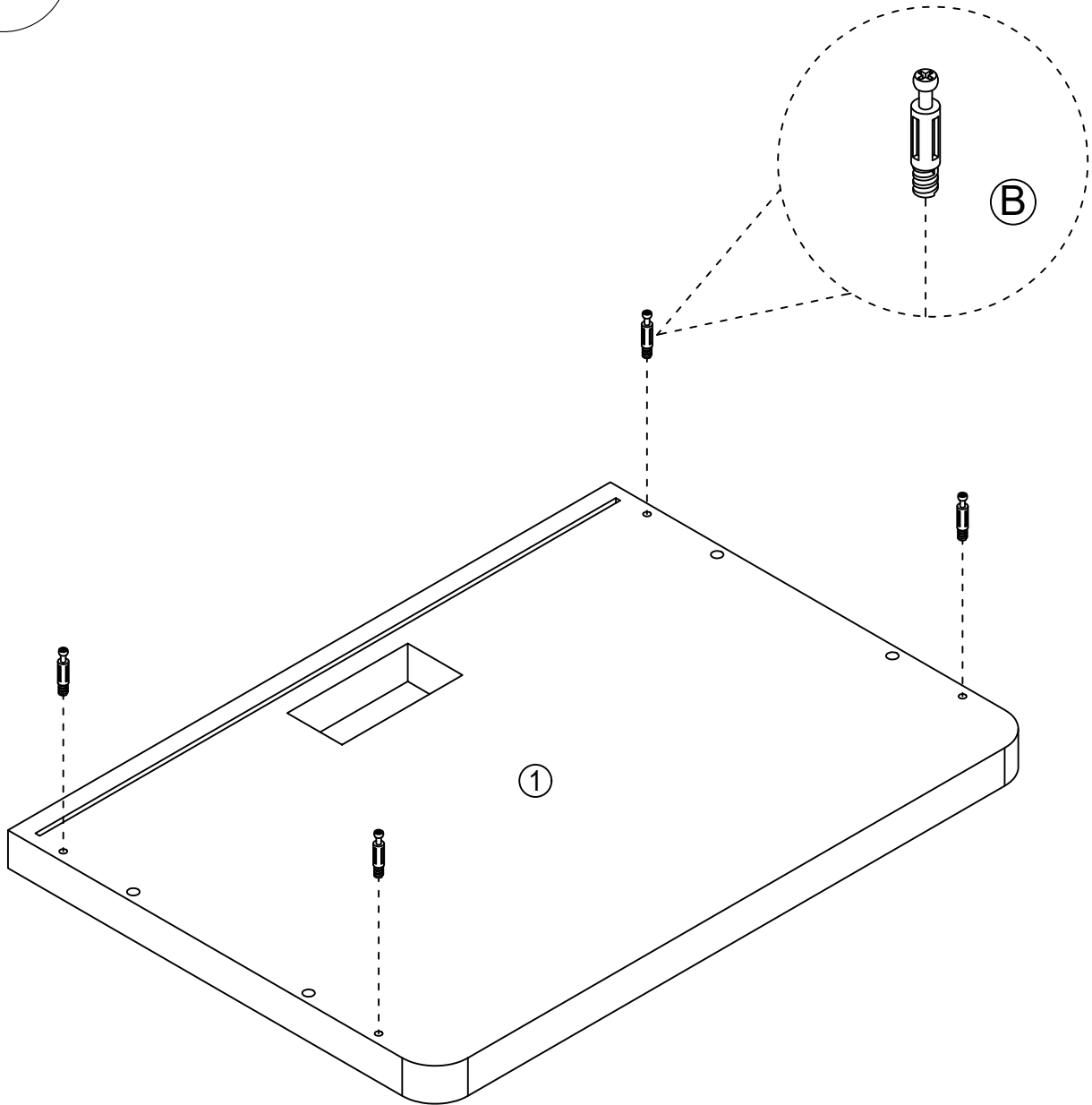
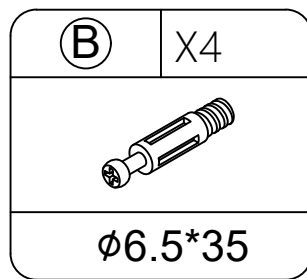
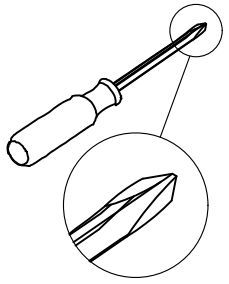


Proper orientation of CAM LOCK

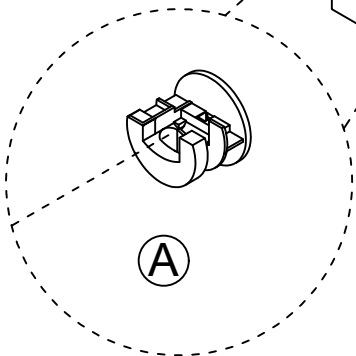
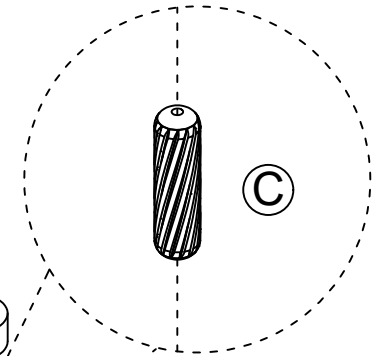
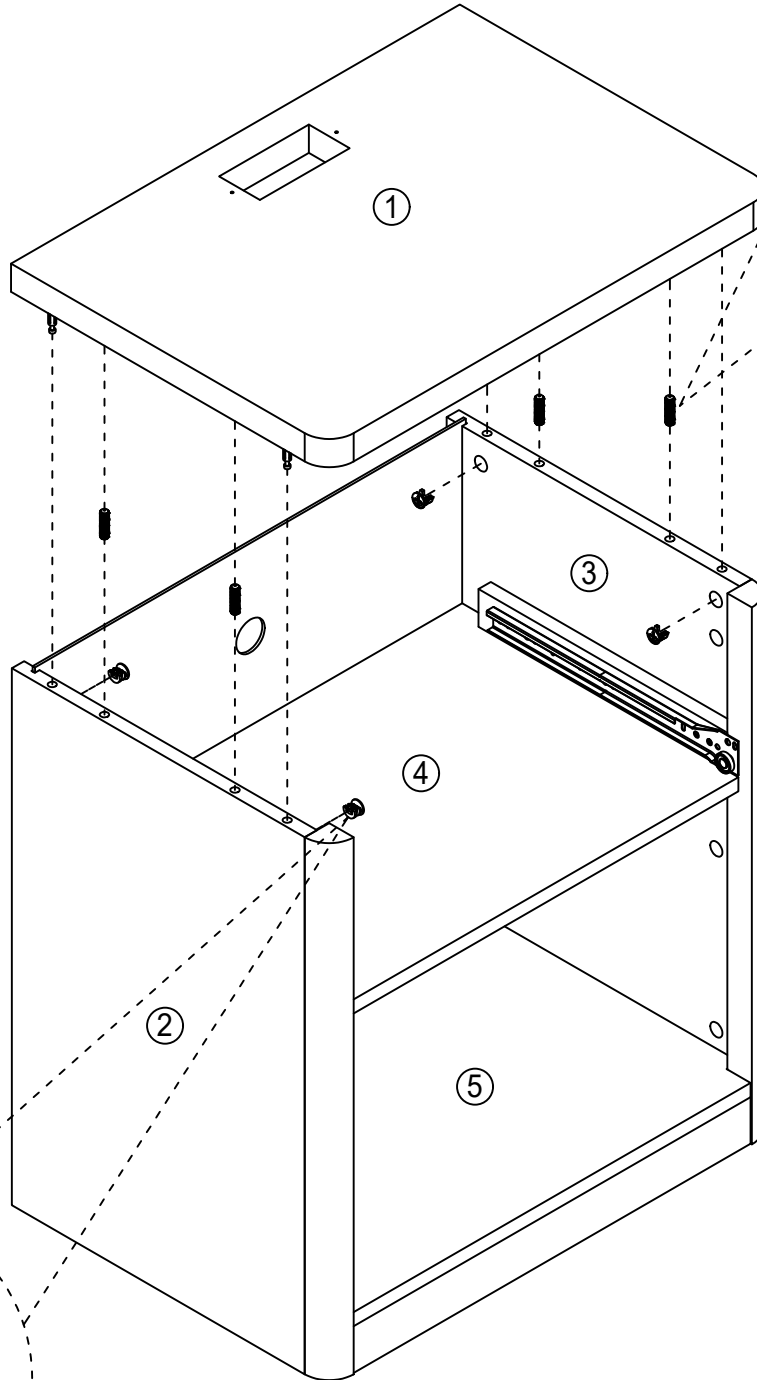
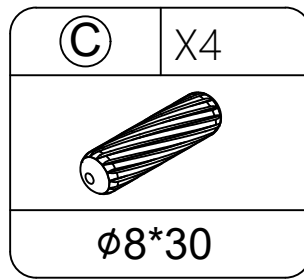
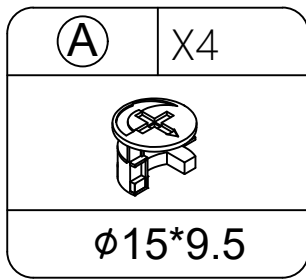
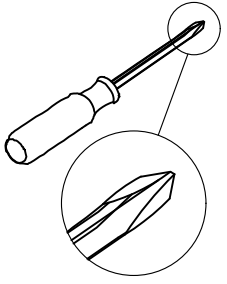
# STEP 12



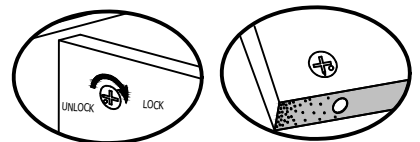
# STEP 13



# STEP 14

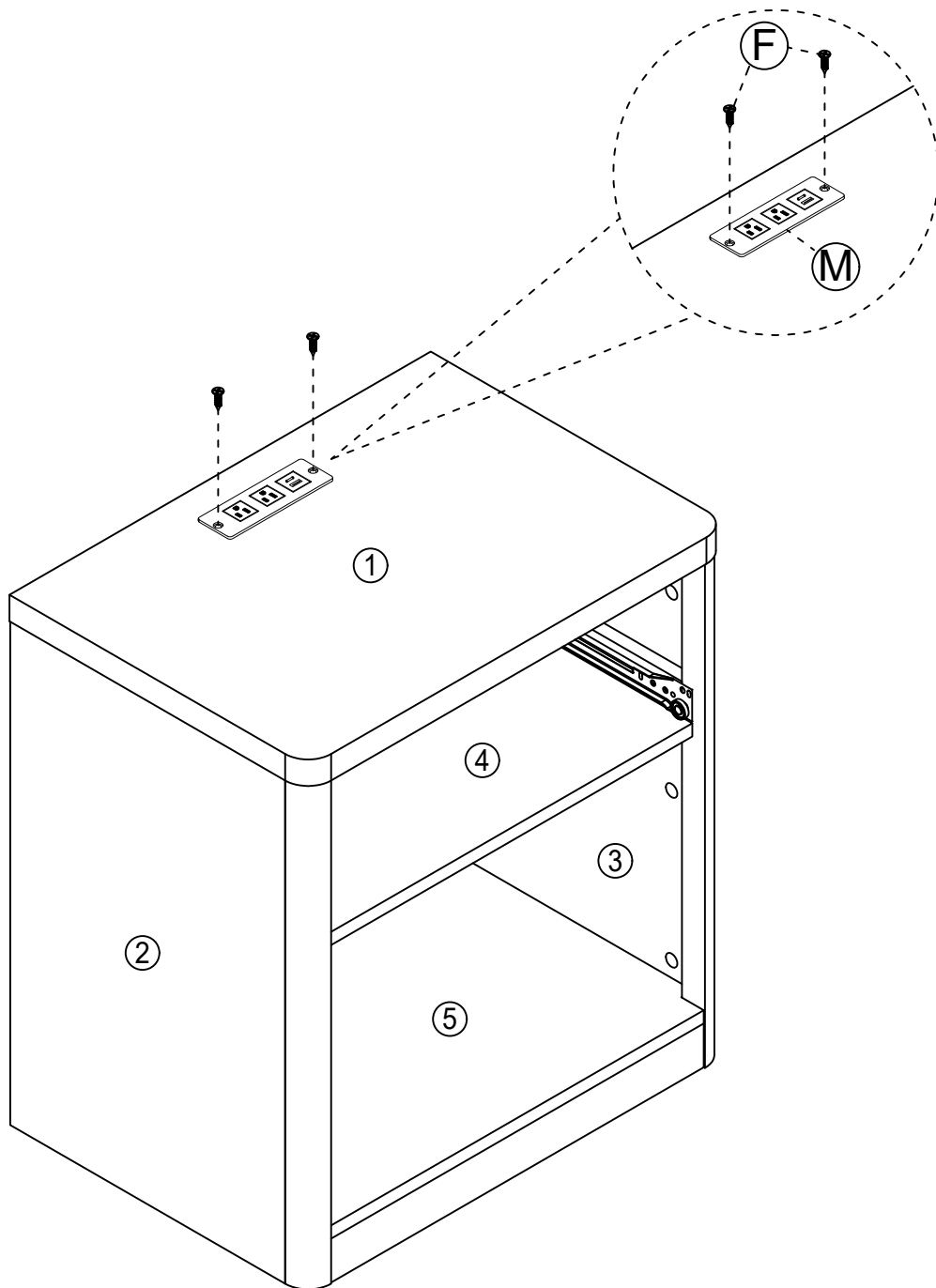
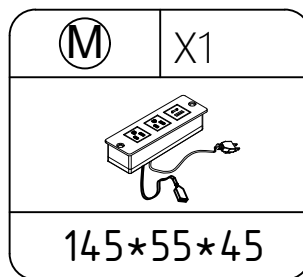
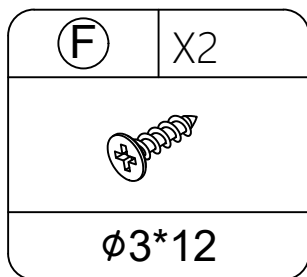
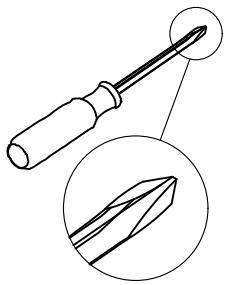


Insert the cam bolt into the hole first, then insert the cam lock and lock it.

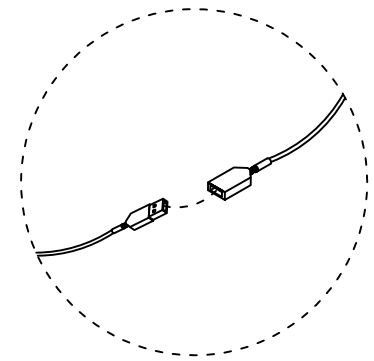
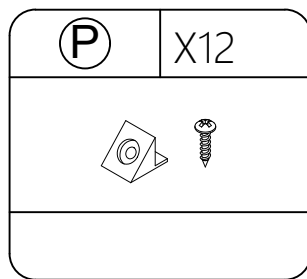
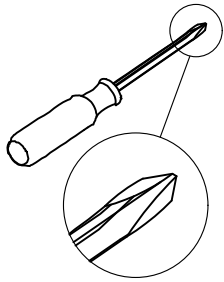


Proper orientation of CAM LOCK

# STEP 15

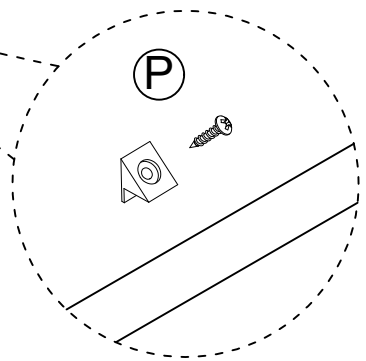
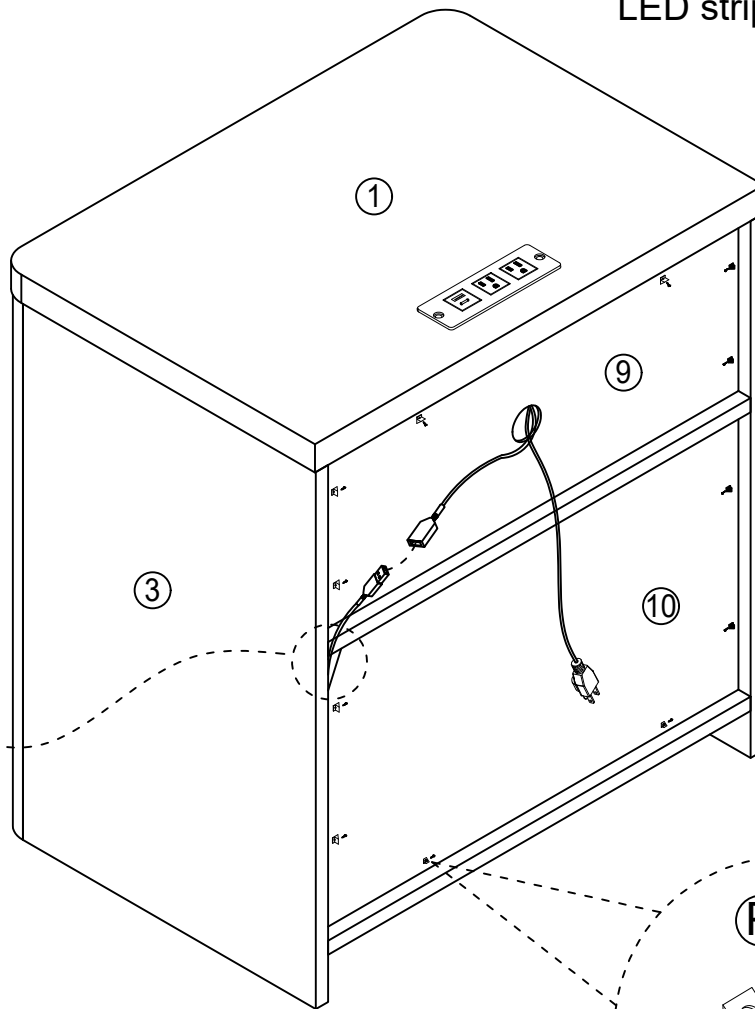


# STEP 16

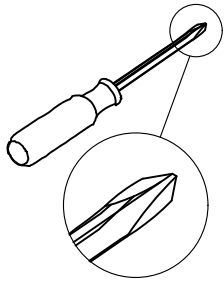


USB interface connection of the socket on the base plate and the USB interface of the LED strip.

  
There is a gap here.



# STEP 17



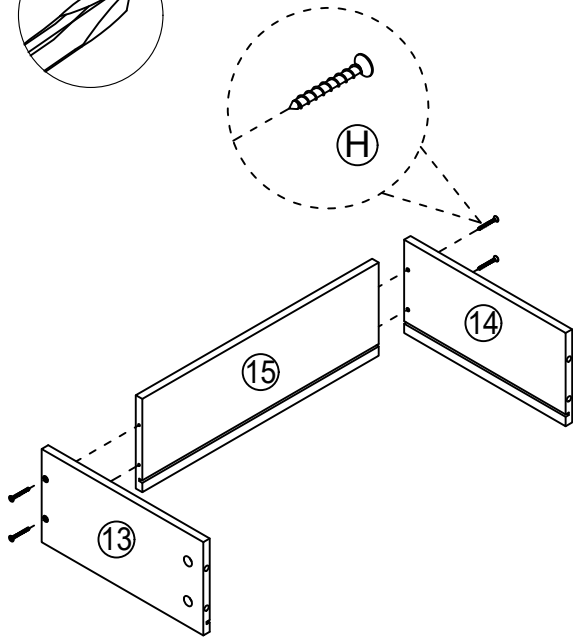
(A)	X4
ø15*9.5	

(B)	X4
ø6.5*35	

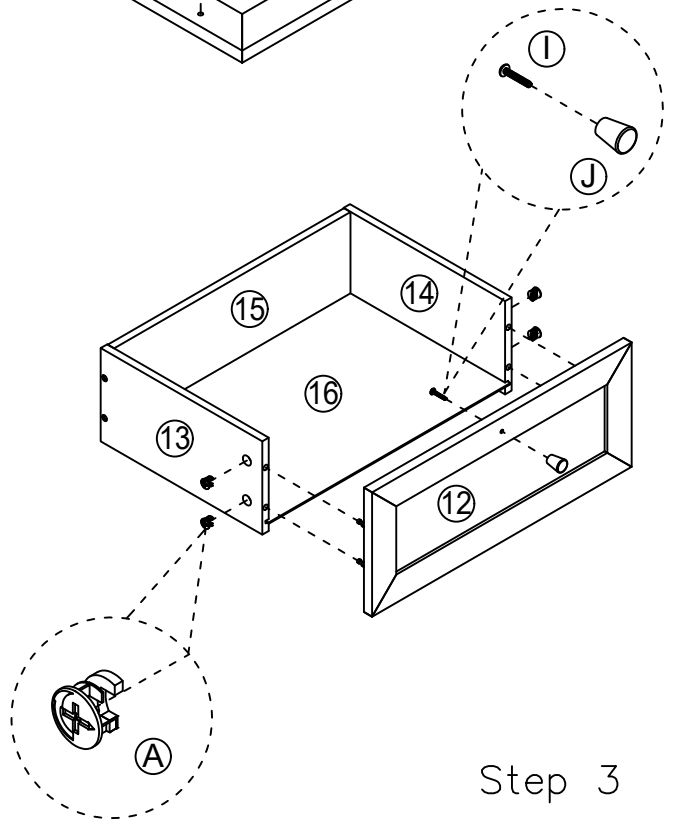
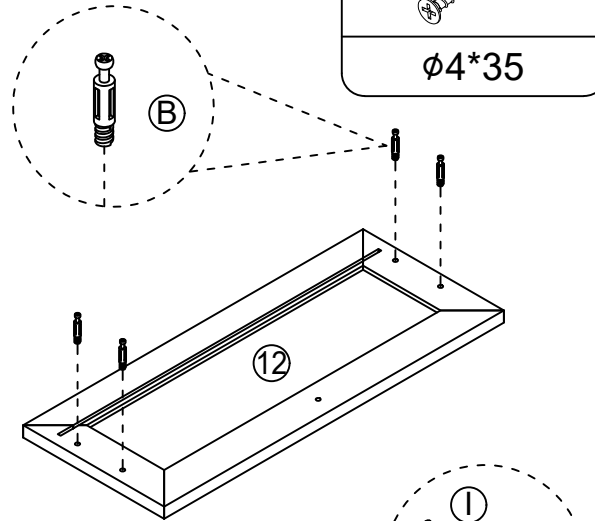
(I)	X1
M4*19	

(J)	X1
ø20	

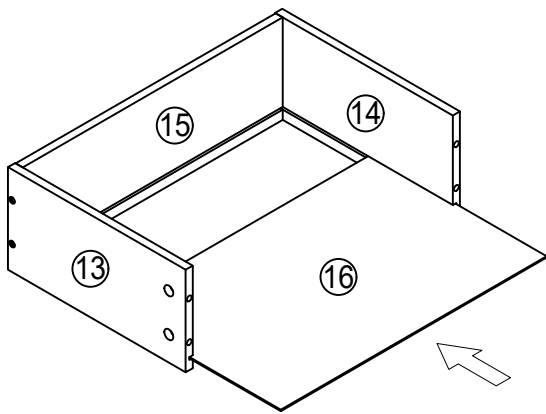
(H)	X4
ø4*35	



Step 1

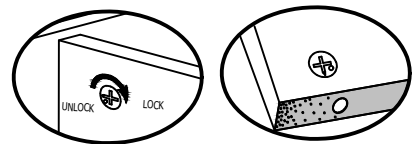
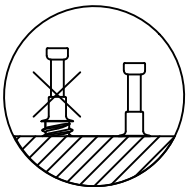


Step 3



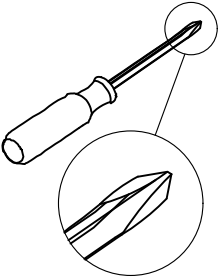
Step 2

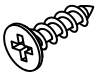
Insert the cam bolt into the hole first, then insert the cam lock and lock it.

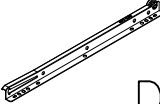


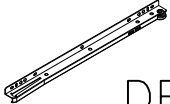
Proper orientation of CAM LOCK

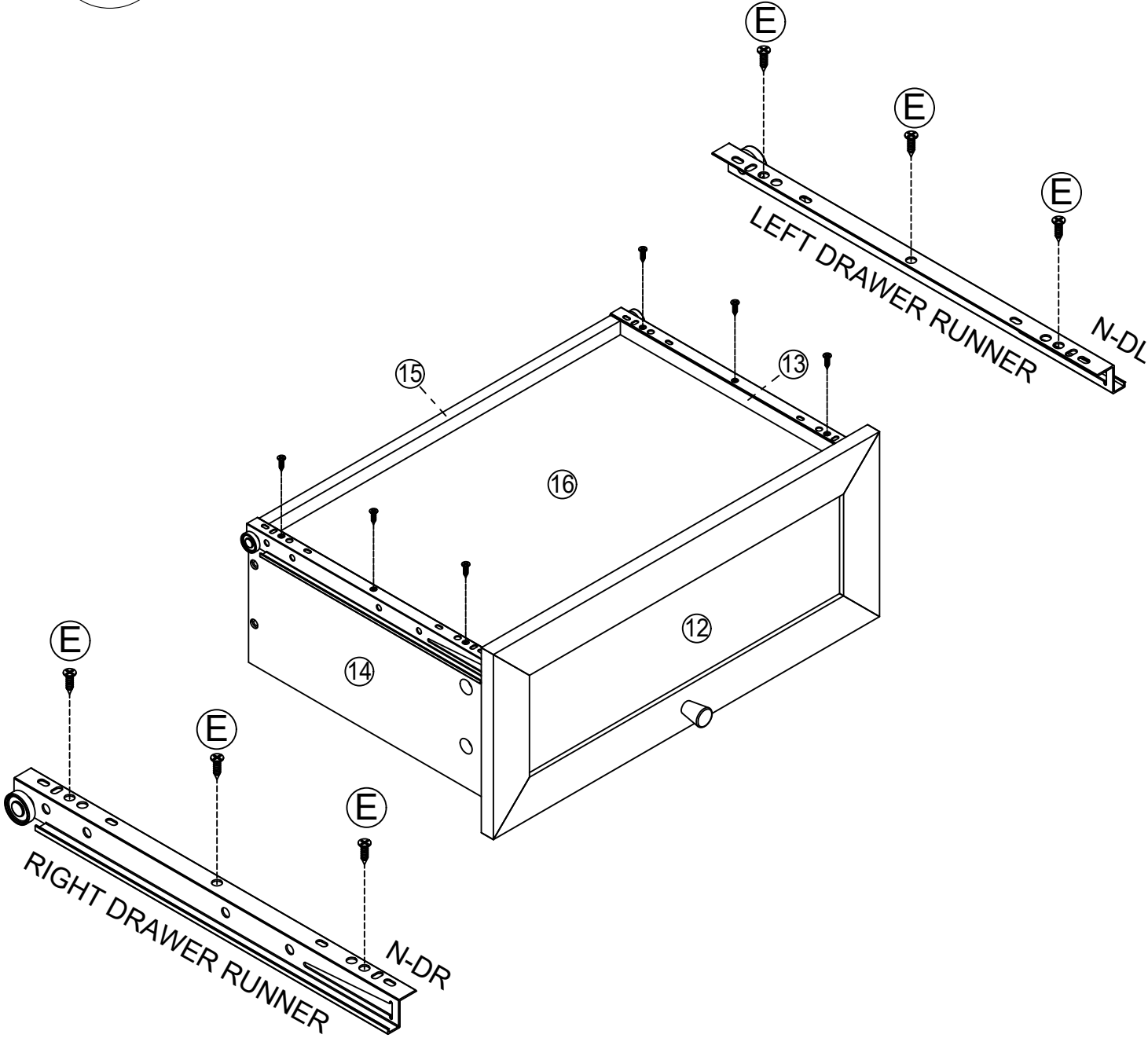
# STEP 18



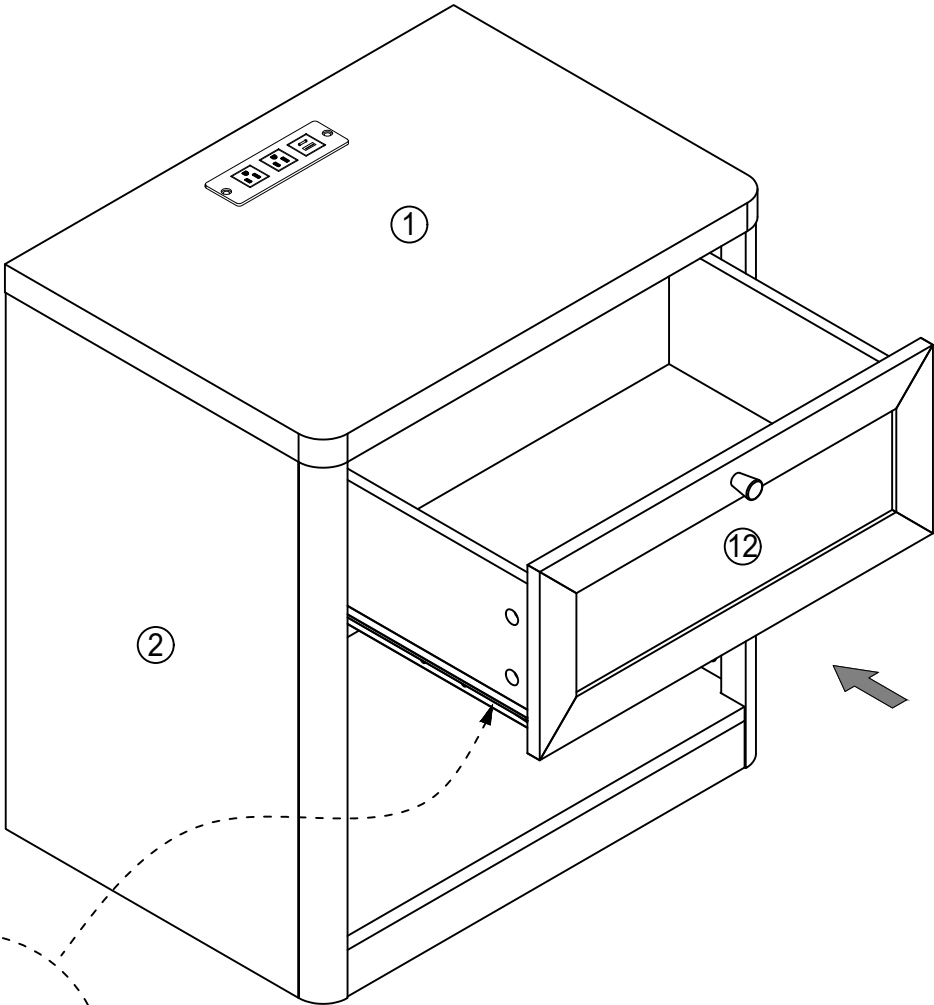
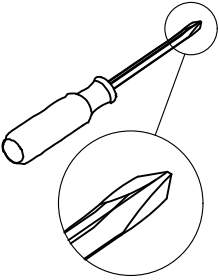
(E)	X6
	
ø3.5*14	

(N)	X1
	
DL L=300	

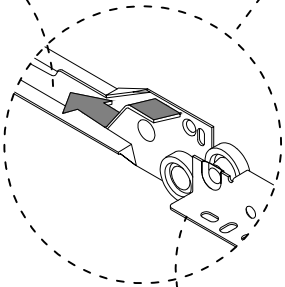
(N)	X1
	
DR L=300	



# STEP 19



Cabinet Slide



Drawer Slide