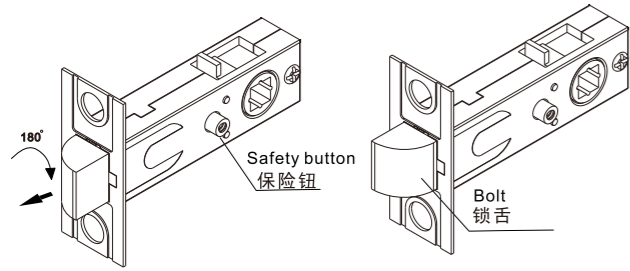


W304B系列门锁安装说明书

W304B Series Private Lock Installation Manual

Ver:B1.0

1 锁体方向调整 Adjust the lock body



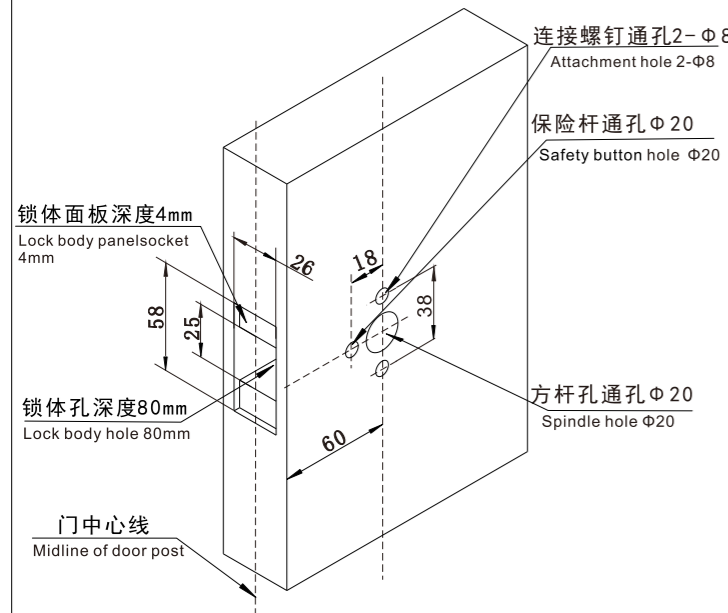
换向前 Before adjustment

换向后 After adjustment

将锁体的保险钮带螺纹孔侧指向室内一侧，如果此时的斜舌与门开启方向相反，请参照以下步骤实现锁体转向(磁吸锁体忽略此步骤)：
将锁体斜舌朝图示方向拉，待斜舌脱离锁体腔体后旋转180度松开即可实现换向。

Point the threaded hole side of the safety button of the lock body towards the indoor side. If the direction is incorrect, pull the bolt outward as shown in the diagram, and then rotate it 180°

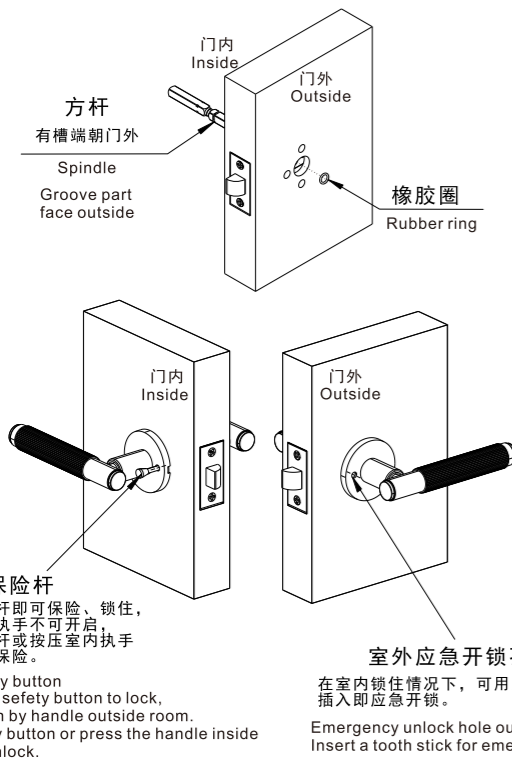
2 凿钻锁孔 Chisel and drill the keyhole



1. 参照凿孔示意划出各个孔的位置；
2. 钻通各个孔，必须与门表面垂直；
3. 在门边框的中心按要求凿出锁体孔（59mm长×26.5mm宽×80mm深）；
4. 将锁体放入锁体孔，推到底，划线后凿出锁体面板的承窝；
5. 在门框对应锁体相应位置凿出锁扣盒及锁扣板承窝。

1. Mark the positions of attachment screws hole, of spindle hole, and of cylinder hole.
2. Drill the holes in sizes marked (see picture), and keep them perpendicular to the door surface.
3. Chisel lock body hole on the central door post as requested: 58mm×25mm×80mm (L×W×H);
4. Place the latch bolt into the latch bolt hole, press it to the bottom, draw the line, and chisel a socket for lock body panel.
5. Position and chisel the sockets for strike box and strike plate.

3 安装步骤 Installation instruction



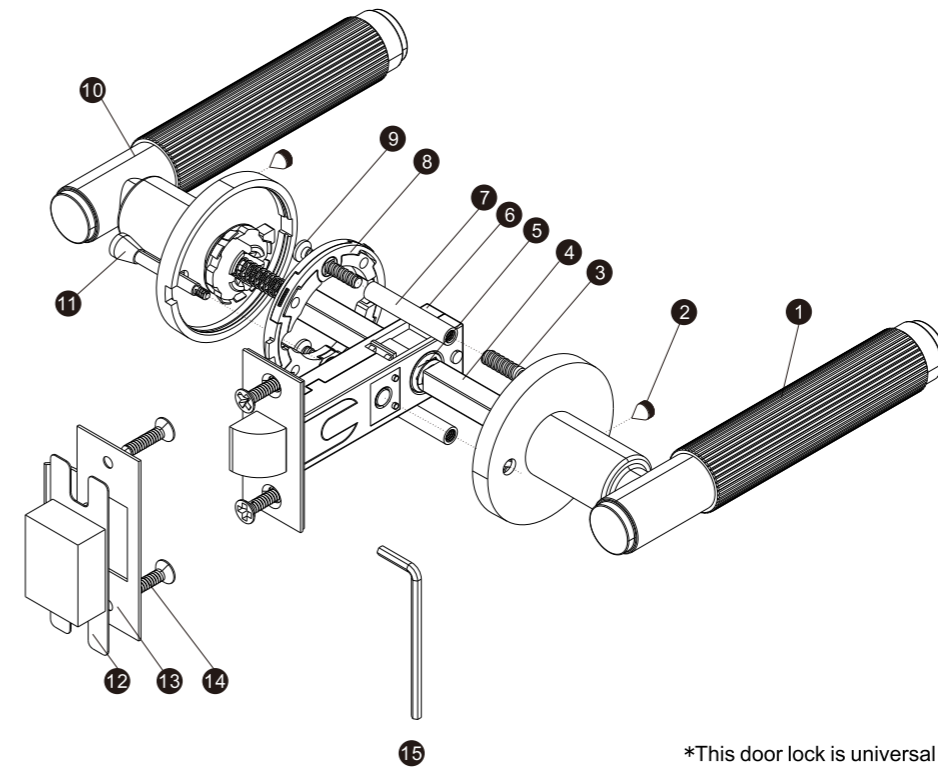
1. 将锁体推入锁体孔，用自攻螺丝固定锁体；
2. 将方杆上的橡胶圈取下，有槽一端朝门外，从门内一侧穿过锁体；
3. 将橡胶圈装入到方杆有槽一端，将其卡在槽上。
4. 内外执手部件的方杆孔对准方杆，拧好连接螺丝。
5. 执手转动灵活、按压保险顺畅即安装正确。
6. 在门框上凿锁扣盒、锁扣板安装孔，并装上锁扣盒和锁扣板。

1. Push the lock body into the lock body hole and fix the lock body with self tapping screws;
2. Remove the rubber ring from the spindle, with the slotted end facing outside the door, and pass through the lock body from the inside of the door;
3. Insert the rubber ring into the slotted end of the spindle and clip it onto the slot.
4. Align the Spindle holes of the inner and outer handle components with the Spindle and tighten the connecting screws.
5. The handle rotates flexibly and presses the safety button smoothly, indicating correct installation.
6. Drill installation holes for the strike box and strike plate on the door frame, and install the strike box and strike plate.

保险杆
按下保险杆即可保险、锁住，此时室外执手不可开启。拉出保险杆或按压室内执手即可解除保险。
Safety button
Press this safety button to lock, Can't open by handle outside room. Pull safety button or press the handle inside room to unlock.

室外应急开锁孔
在室内锁住情况下，可用牙签等小工具插入即应急开锁。
Emergency unlock hole outside room
Insert a tooth stick for emergency unlock.

产品零部件明细 Product parts details



- 1 Right handle component 右执手部件*1
- 2 Hexagon inner screw 内六角紧定螺钉*2
- 3 Connecting screw 连接螺钉*2
- 4 Spindle 方杆*1
- 5 Rubber ring 橡胶圈*1
- 6 Lock body 锁体*1
- 7 Connecting nut 连接螺母*2
- 8 Rosette lining 内盖圈内衬*1
- 9 Connecting screw M4 沉头螺钉*2
- 10 Left handle component 左执手部件*1
- 11 Safety button 保险杆*1
- 12 Strike box 锁扣盒*1
- 13 Strike plate 锁扣板*1
- 14 Tapping screw 自攻螺丝*4
- 15 Hexagon screw spanner 内六角扳手*1

*This door lock is universal on both sides. Determine the installation position of ① and ⑩ according to the actual direction of the door.

本款门锁左右通用，根据门实际方向决定①和⑩的安装位置。

*This figure is only for illustration, please refer to the real product.
此图仅为示意，具体参照实物。

⚠ 注意事项 NOTE

1. 不要在油漆未干的门上安装门锁；不要使用胶带粘帖门锁；
2. 完成安装后，请用布盖住面板外露部分，以免在装修过程中划伤；
3. 当锁具表面出现灰尘，避免用带水或有磨损力的布擦拭。
4. 执手开启沉重生涩时，可以在锁体内、执手部件的活动部位加润滑油；
5. 关门最好握住执手，同开门的方式一样，关好后再轻放执手，延长锁具使用寿命。
6. 非专业人士请勿对产品进行拆装。

1. Don't install lock on the door before the painting goes dry; don't use adhesive tape to stick the handle.
2. After installation, please cover the exposed part of the panel with cloth to avoid scratch during home decoration.
3. When there is dust on the surface of the lock, avoid wiping it with water or cloth with abrasion force.
4. When the handle is hard to open, add lubricating oil to the lock body and the moving parts of the handle.
5. It's better to hold the handle when you close the door, same as when you open the door. It can extend the lock service life.
6. Please don't disassemble the parts if you are not professional.

中心距 (Backset) : 60mm
适装门厚 (Door thickness) : 35mm~50mm

执行标准 (Execution standards) :
QB/T2474-2000 《弹子插芯门锁》
GB21556-2008 《锁具安全通用技术条件》



浙江诺德五金有限公司
Zhejiang Nuode Hardware Co., Ltd.

地址: 浙江省玉环市沙门镇滨港工业城
Add: Bingang Industrial Zone, Shamen Town, Yuhuan City, Zhejiang Province
电话(Tel): 0086 576-87418705 | 邮箱(Email): nuode@cnnuode.com | www.cnnuode.com