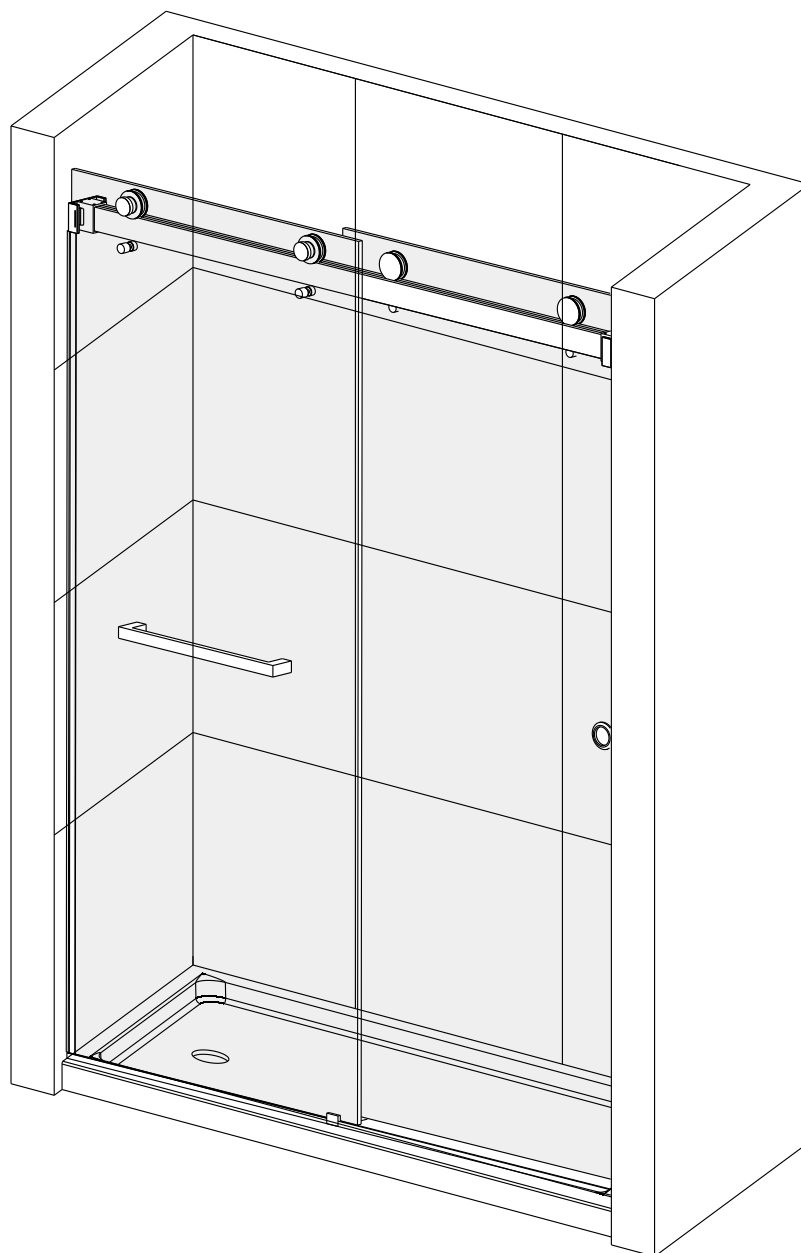


INSTRUCTION MANUAL



2 PEOPLE REQUIRED

***Please keep this manual and product code number for future reference
and for ordering replacement parts if necessary.***

GENERAL INSTRUCTIONS

- Read this manual carefully and completely before proceeding.
- It is recommended that you wear safety glasses at all times during the installation.

INSTALLATION OVER CERAMIC TILES

- If your shower door is to be installed over ceramic tiles, the tiles should lay completely under the wall jamb.
- Silicone should be used to seal the gap where the ceramic tiles meet the fixed panel.

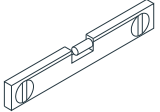
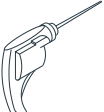
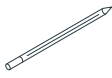

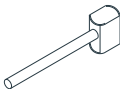

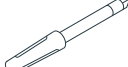

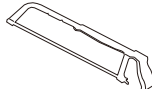

NOTICE

- Caulking: no sealant is required inside the shower, unless otherwise stated.
- Some models are equipped with clear sealing gaskets.

CARE FOR YOUR SHOWER DOOR

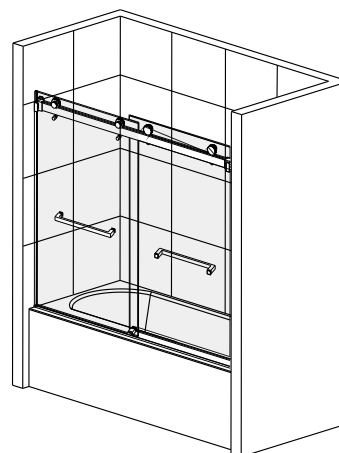
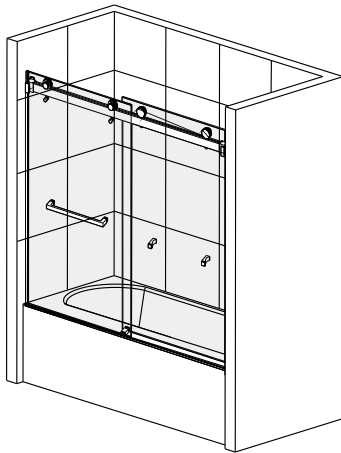
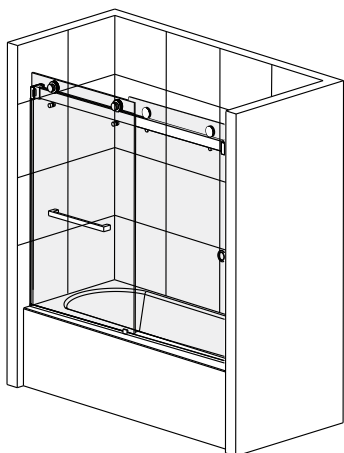
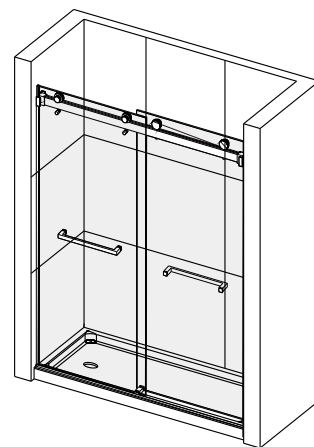
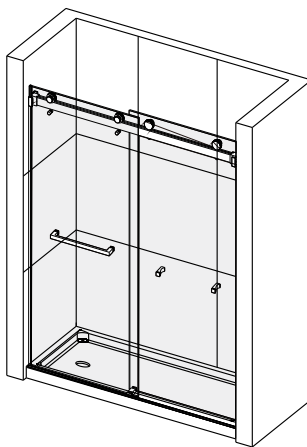
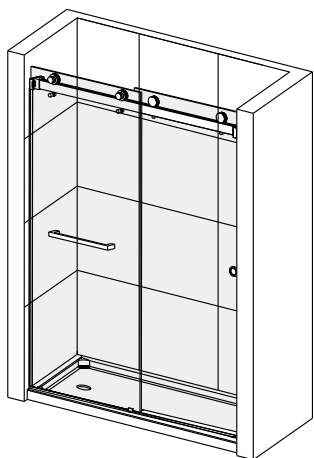
- Never use scouring powder pads or sharp instruments on metal pieces or glass panels.
An occasional wiping down with a mild soap diluted in water is all that is needed to keep the panels and metal parts looking new.
- We recommend wiping the glass panels with a squeegee after each use.

TOOLS REQUIRED

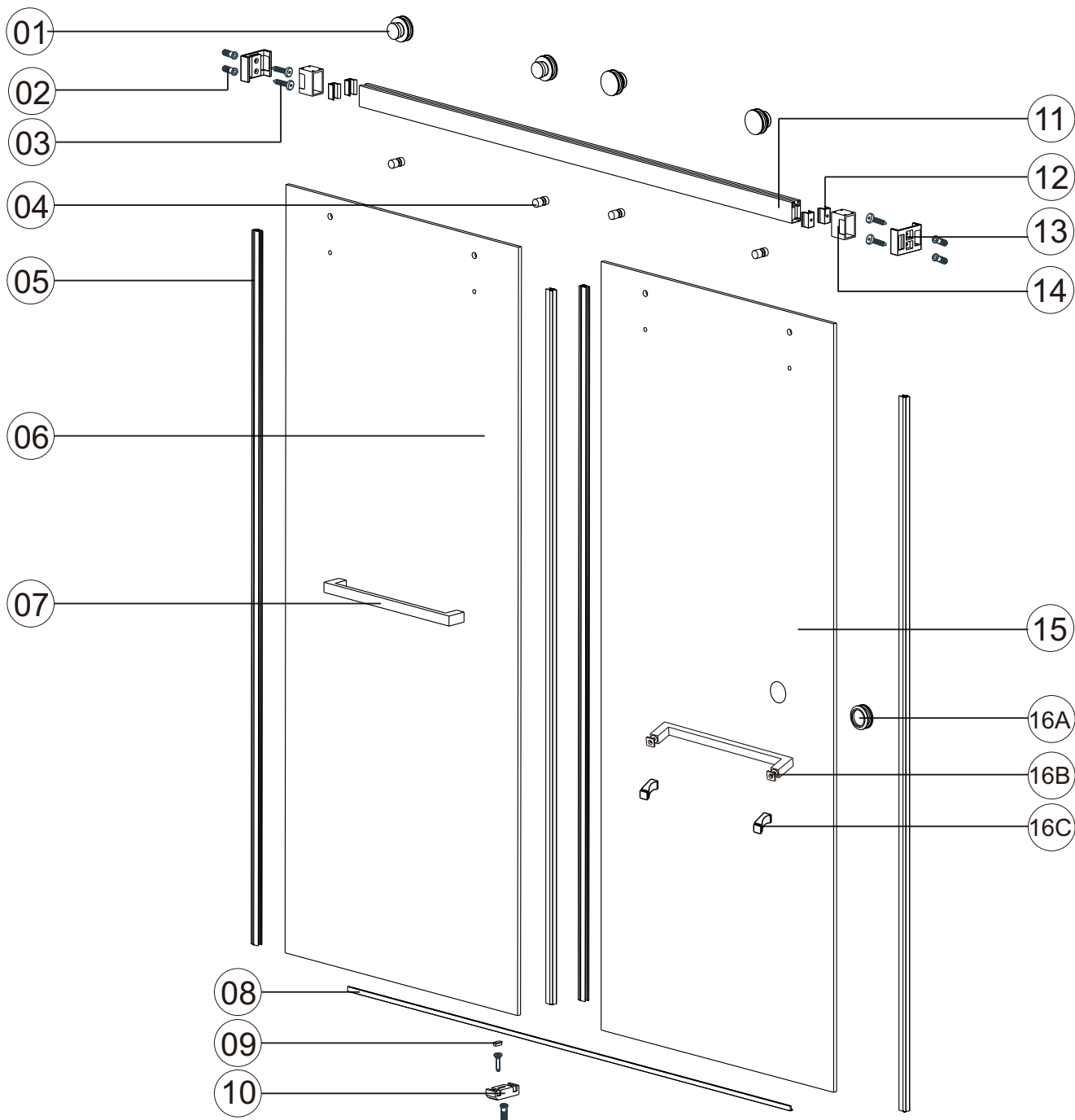
| | | | | |
|--|--|---|--|--|
|  SPIRIT LEVEL |  POWER DRILL |  PENCIL |  SILICONE |  MALLET |
|  TAPE MEASURE |  SCREW DRIVER |  6mm&3mm(1/4" & 1/8") DRILL BITS |  HACKSAW |  SAFETY GLASSES |






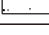
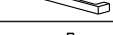
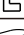

* Use a 6mm(1/4") drill bit for ceramic when drilling into ceramic tiles






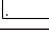

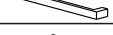
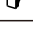
CHOOSE A CONFIGURATION



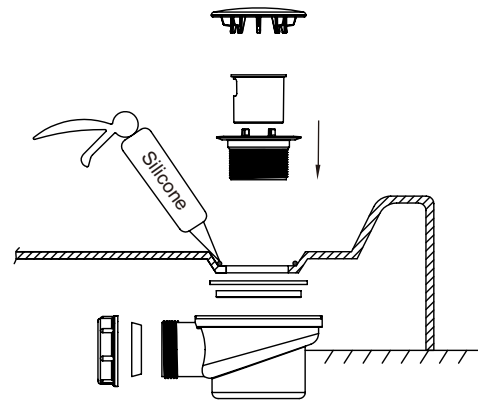
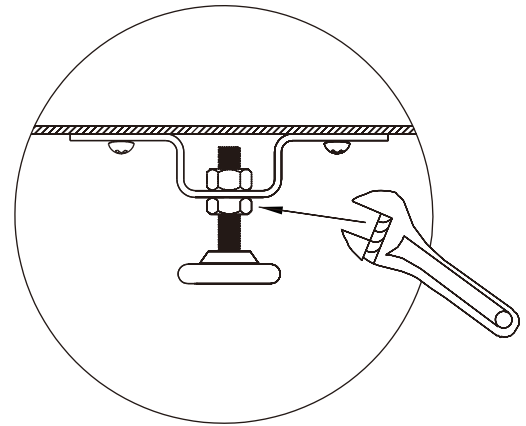
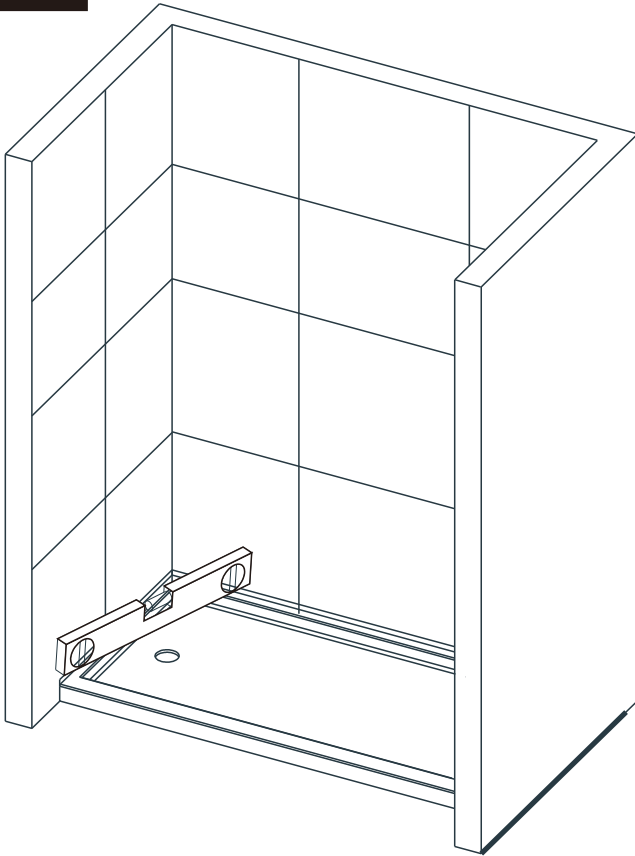
PARTS LISTING



| ITEM | PARTS | DIAGRAM | QTY |
|------|------------------------|---|-----|
| 1 | Roller |  | 4 |
| 2 | Wall plugs Ø6 |  | 5 |
| 3 | Screw St4x30 |  | 5 |
| 4 | Anti jumping knob |  | 4 |
| 5 | Door seal |  | 4 |
| 6 | Sliding door |  | 1 |
| 7 | Towel bar |  | 1 |
| 8 | Anti-splash threshold |  | 1 |
| 9 | Bottom guide cover cap |  | 1 |

| ITEM | PARTS | DIAGRAM | QTY |
|------|----------------------|---|-----|
| 10 | Bottom guide |  | 1 |
| 11 | Rail |  | 1 |
| 12 | Anti-collision block |  | 4 |
| 13 | Wall mount bracket |  | 2 |
| 14 | Guide rail bracket |  | 2 |
| 15 | Sliding door |  | 1 |
| 16A | Finger pull knob |  | 1 |
| 16B | Towel bar |  | 1 |
| 16C | Point Handle |  | 2 |

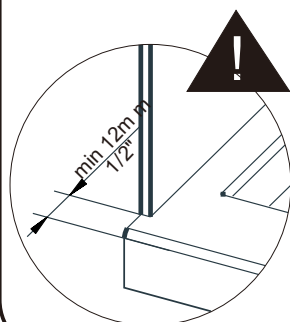
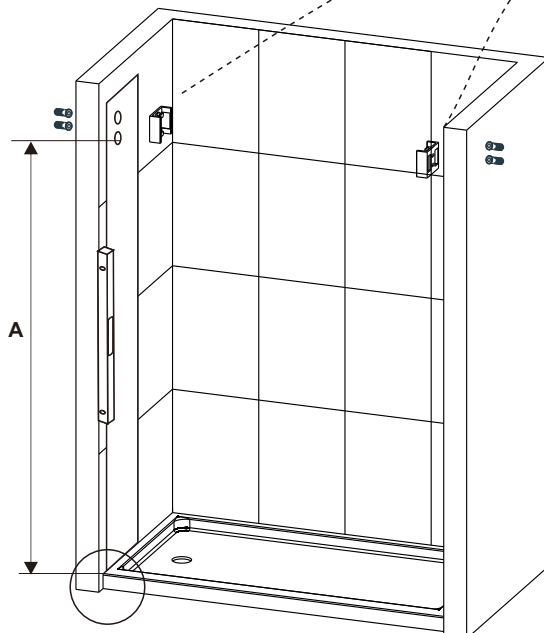
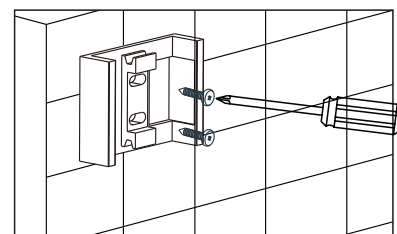
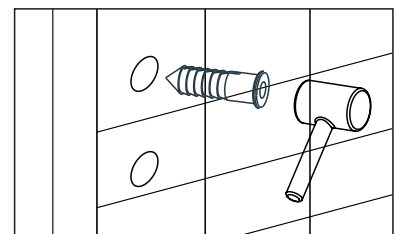
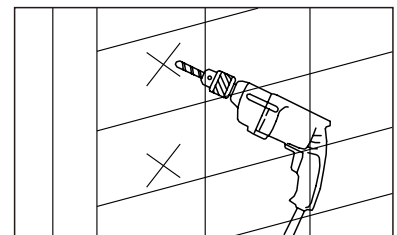
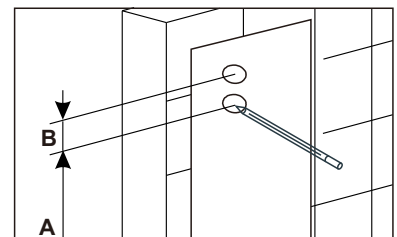
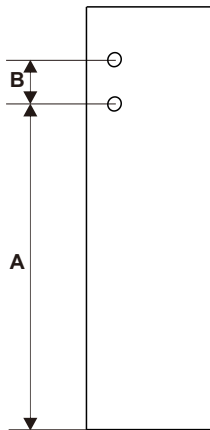
1



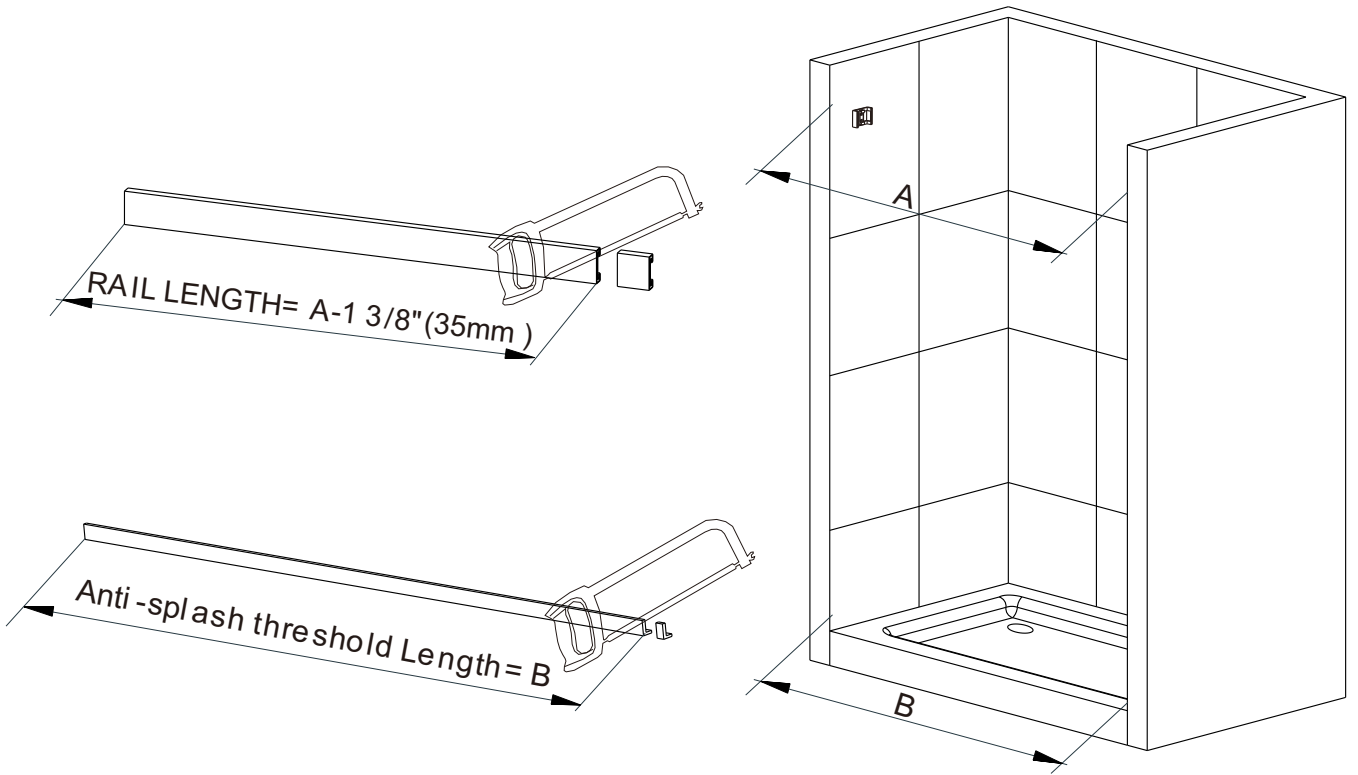
2

| Product Height | A | B |
|----------------|-----------------|------------|
| 60"(1524mm) | 55 1/2"(1411mm) | 7/8"(22mm) |
| 62"(1575mm) | 57 1/2"(1462mm) | |
| 66"(1676mm) | 61 1/2"(1563mm) | |
| 72"(1828mm) | 67 1/2"(1716mm) | |
| 76"(1930mm) | 71 1/2"(1817mm) | |
| 78"(1981mm) | 73 1/2"(1868mm) | |
| 79"(2006mm) | 74 1/2"(1894mm) | |

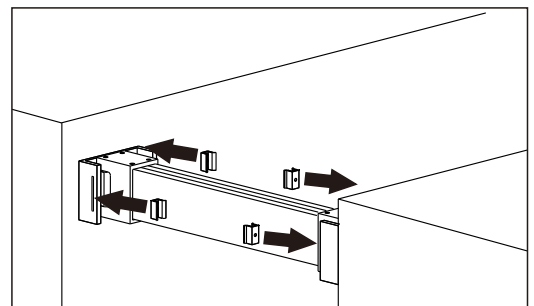
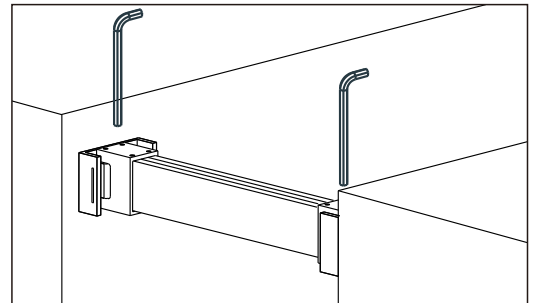
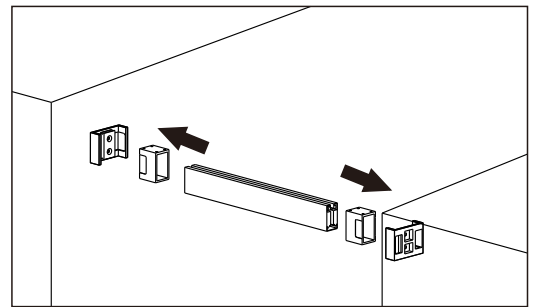
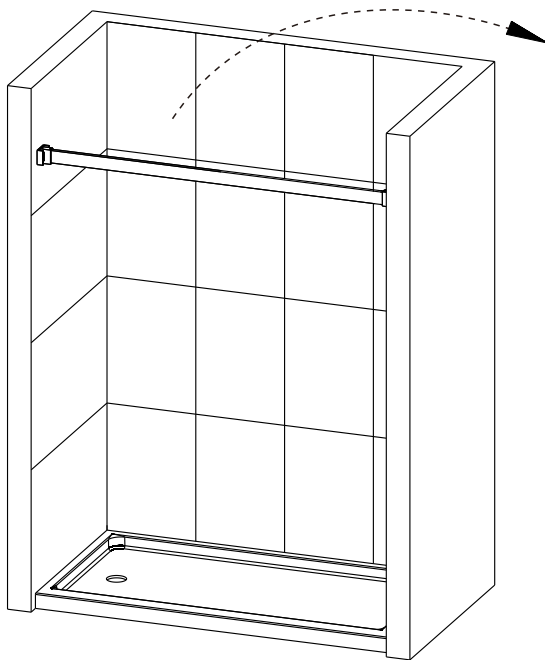
*A=product height-4 1/2"(113mm)
 *Without the size, please contact the local dealer.



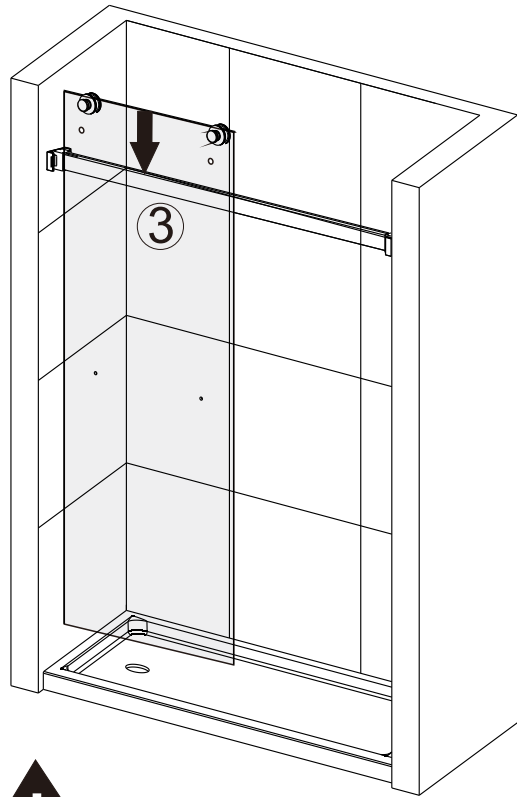
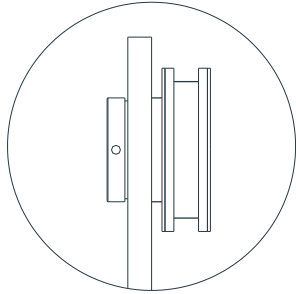
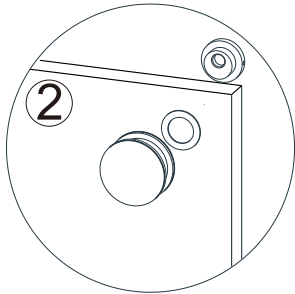
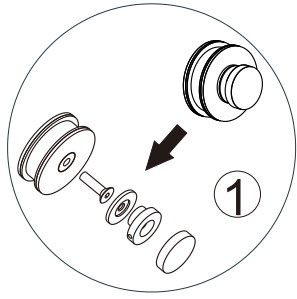
3



4

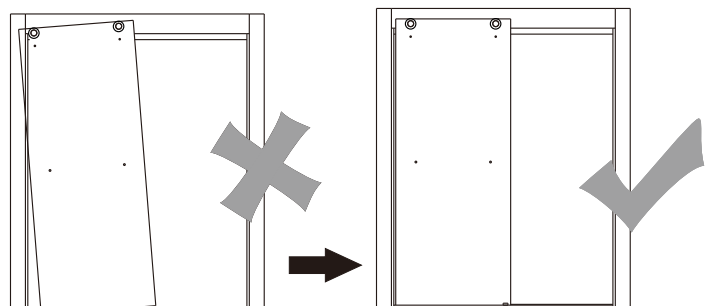
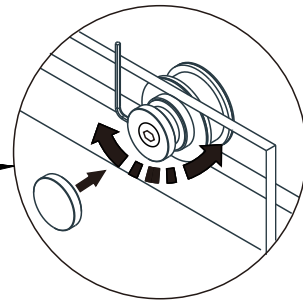
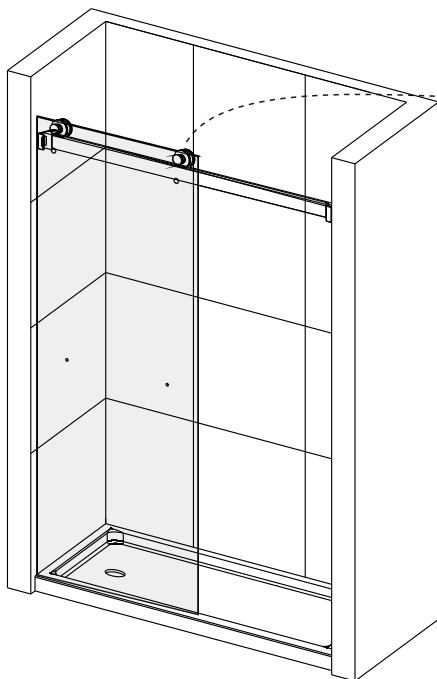


5

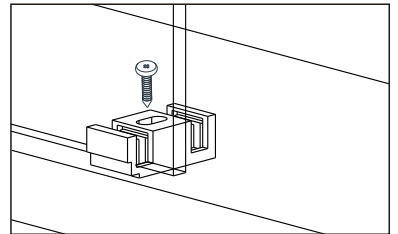
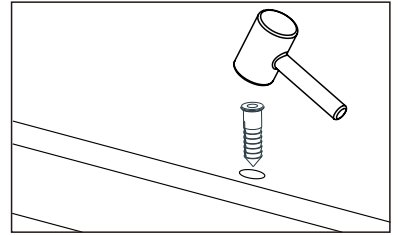
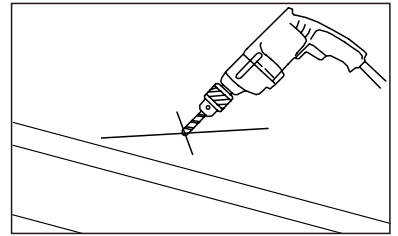
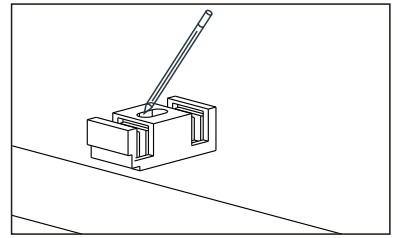
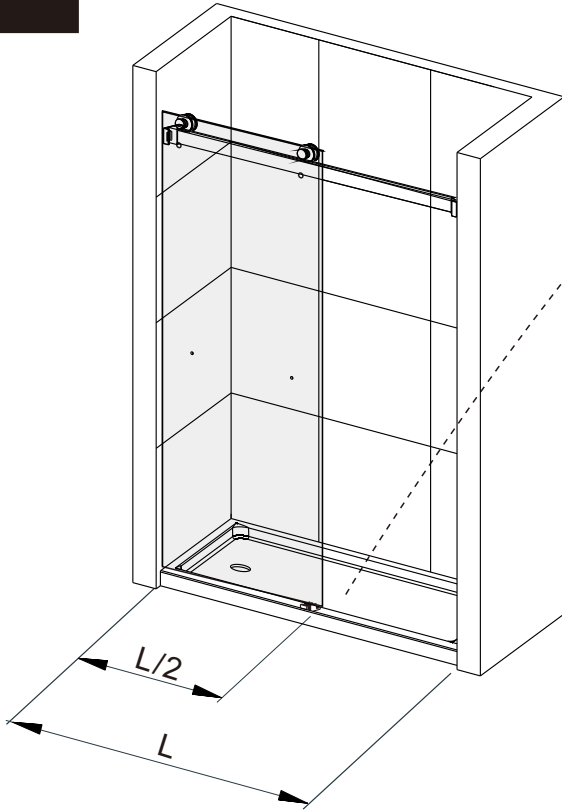


The glass surface with the "Enduro Shield" label must be installed to face inside of the shower

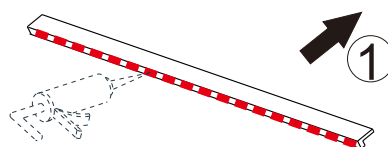
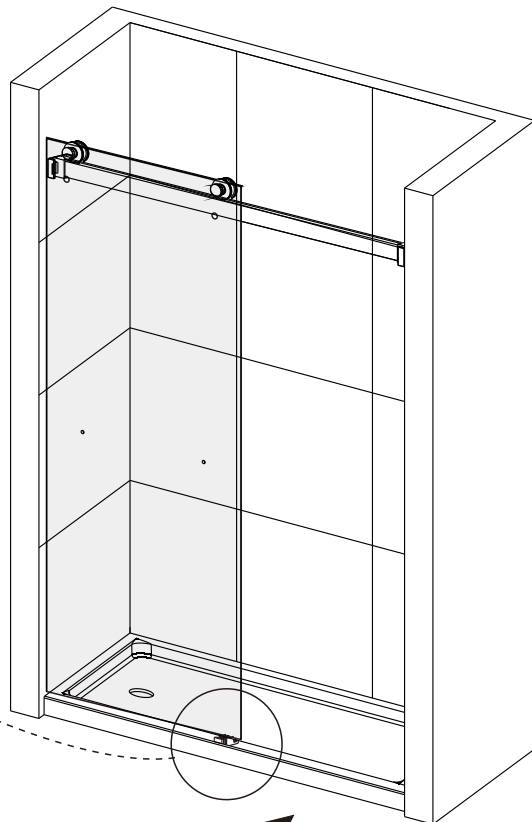
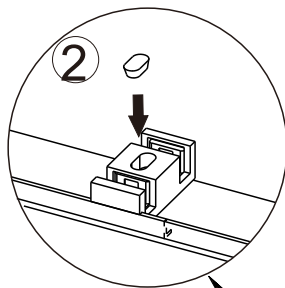
6



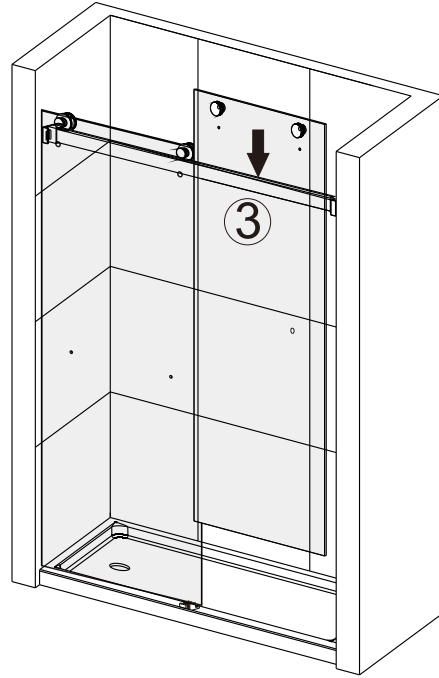
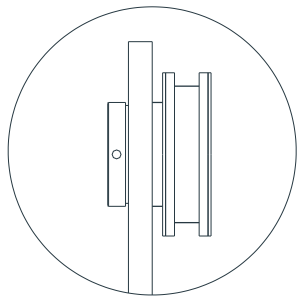
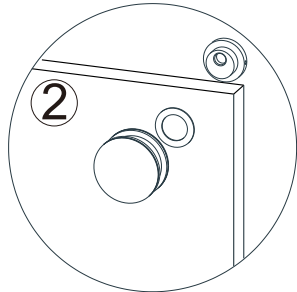
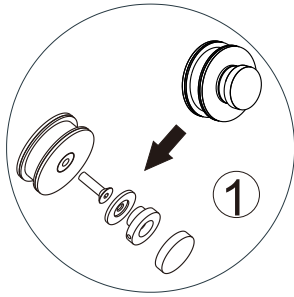
7



8

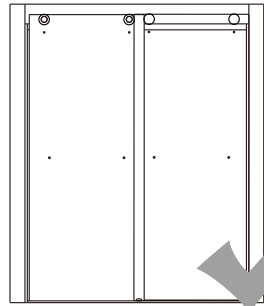
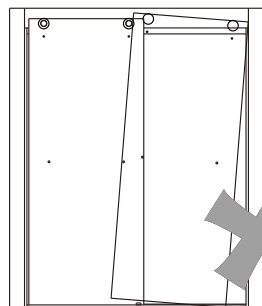
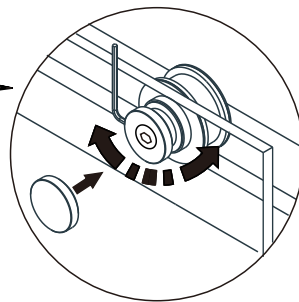
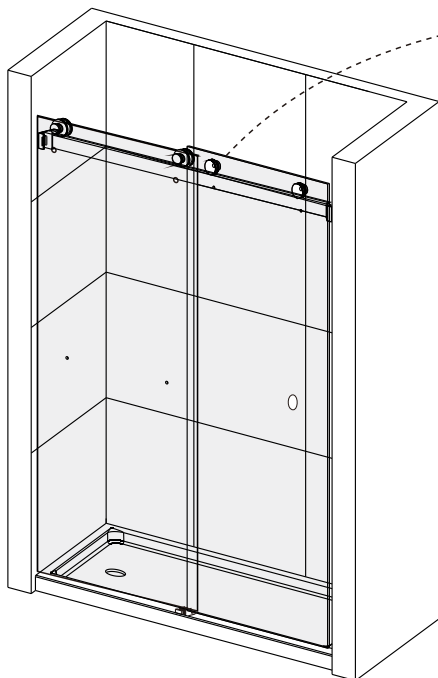


9

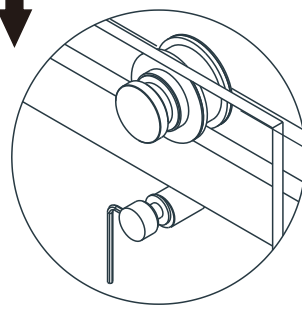
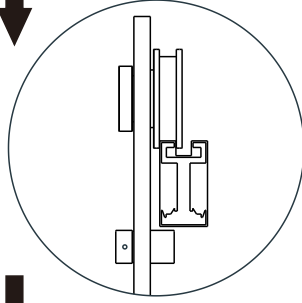
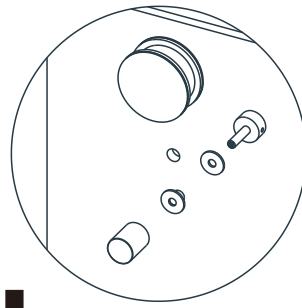
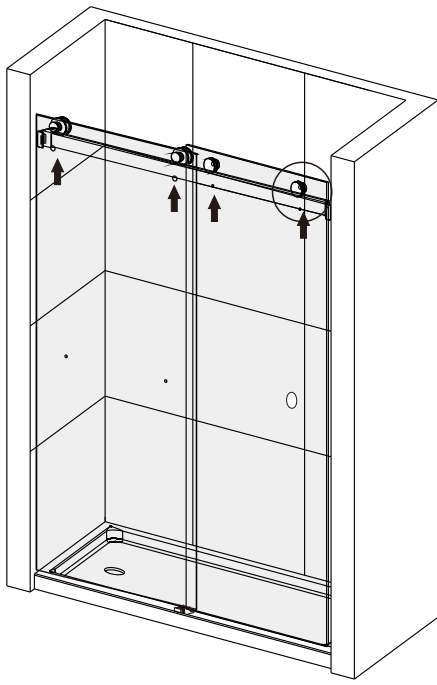


The glass surface with the "Enduro Shield" label must be installed to face inside of the shower

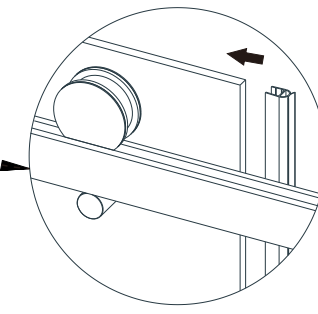
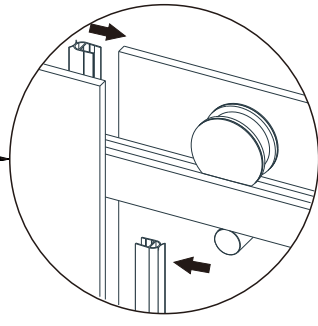
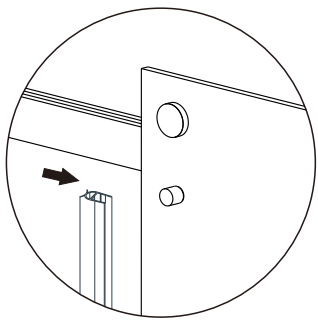
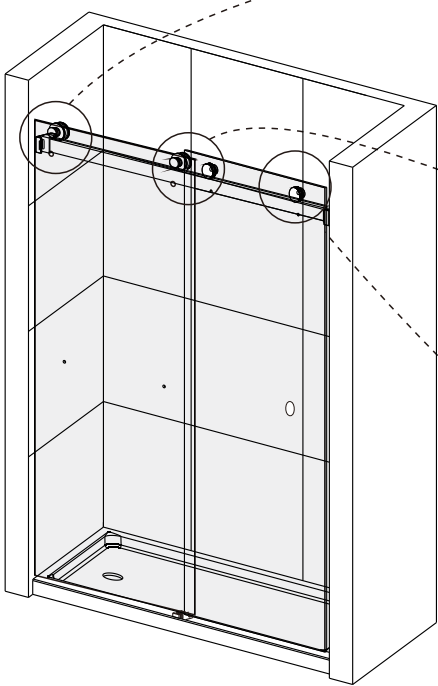
10



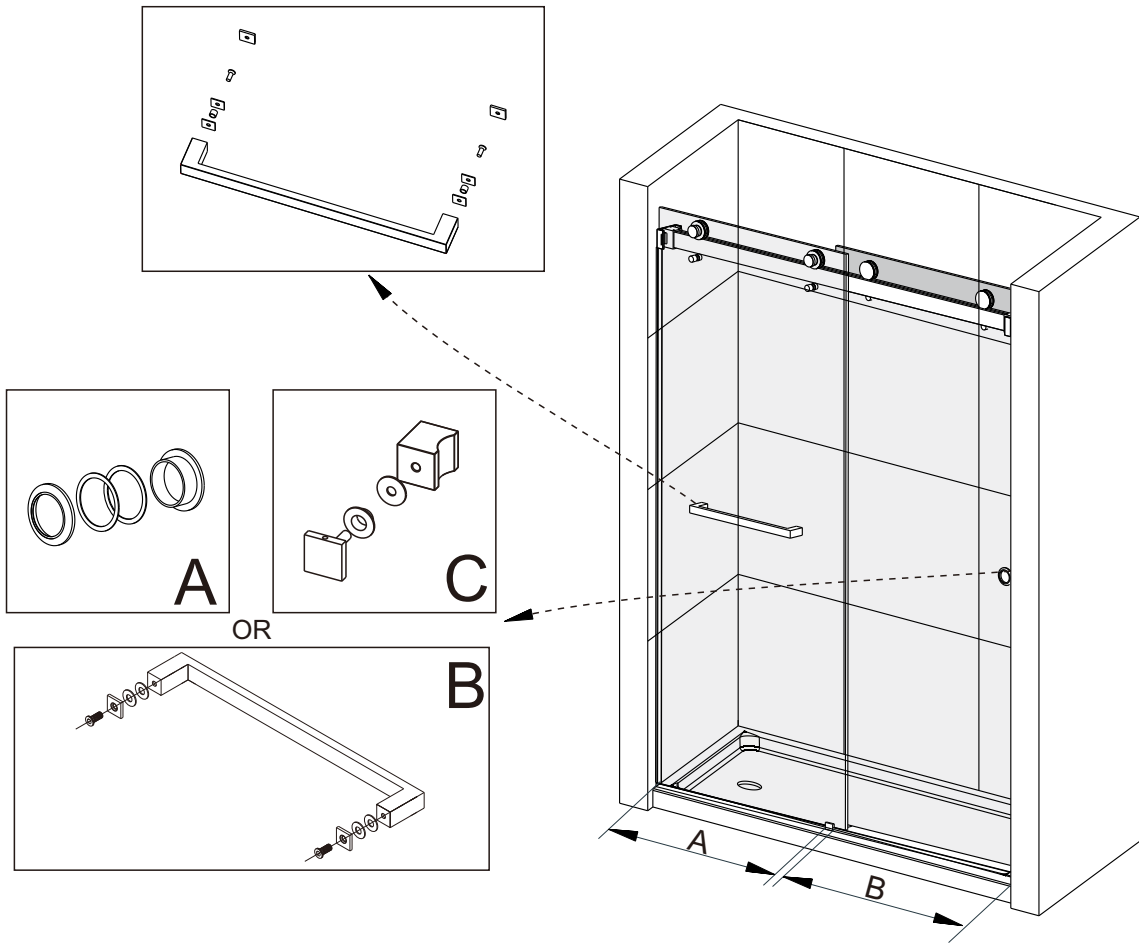
11



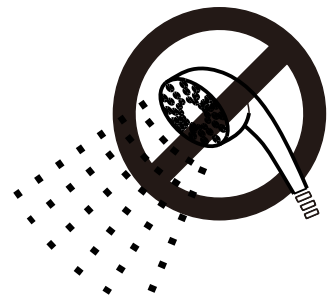
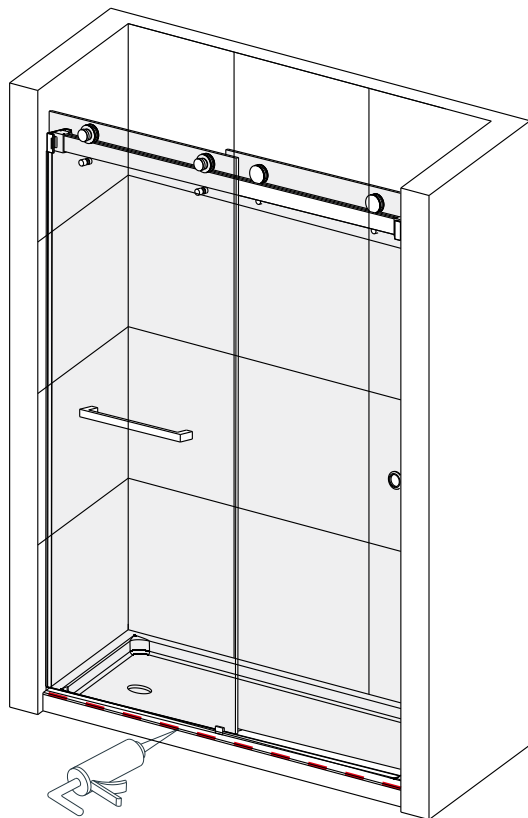
12



13



14



24 HOURS