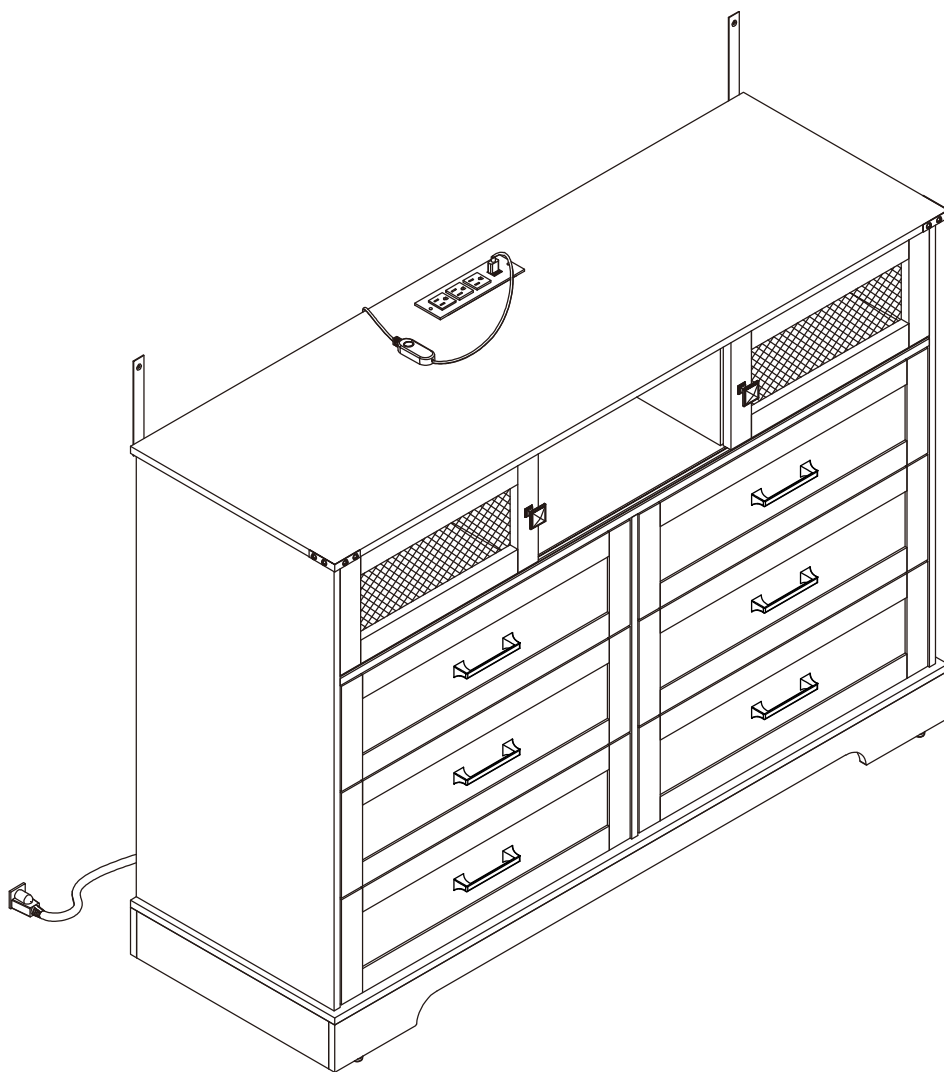
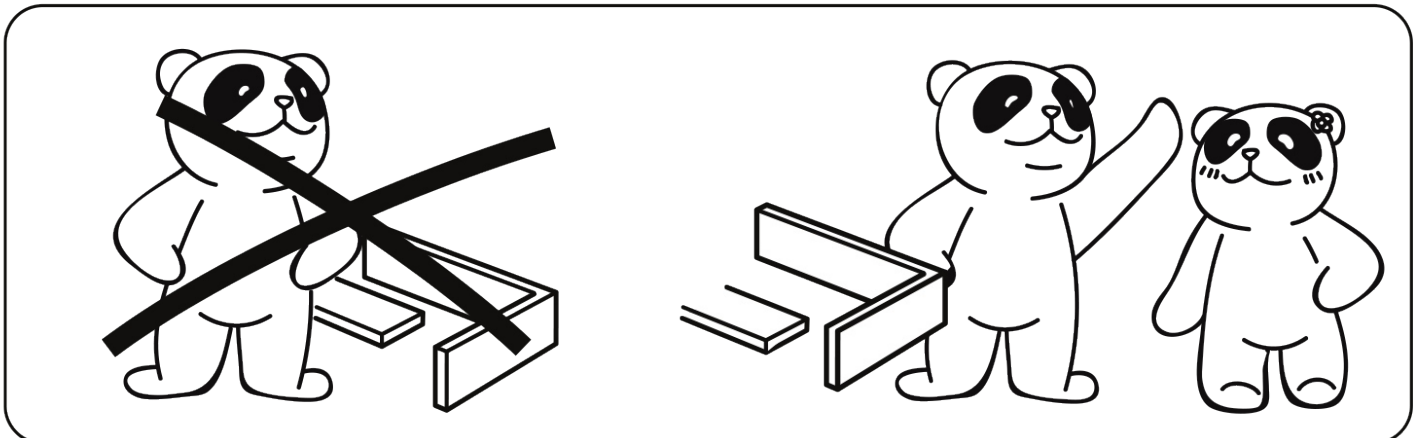
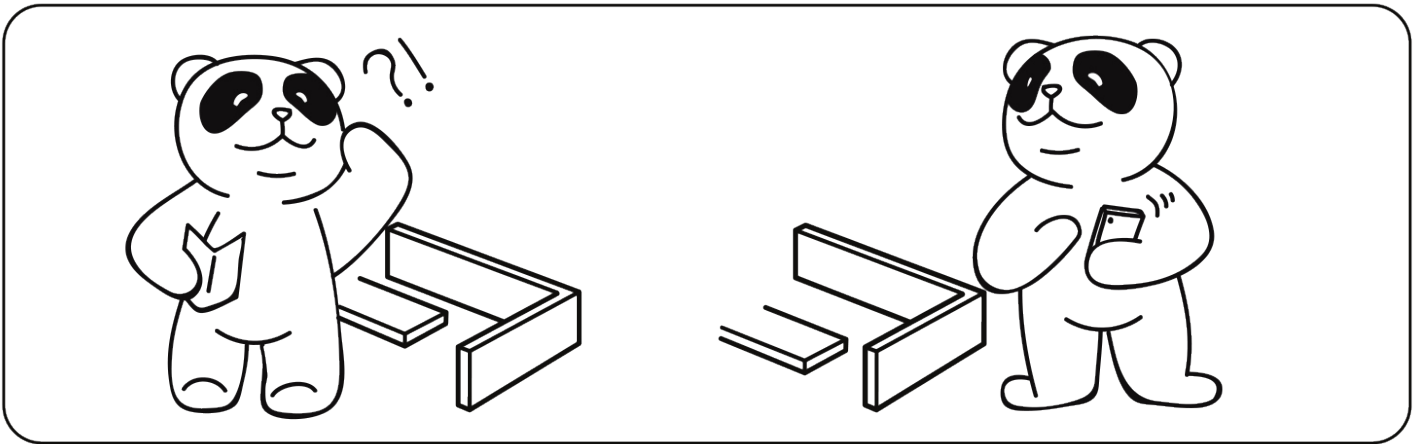
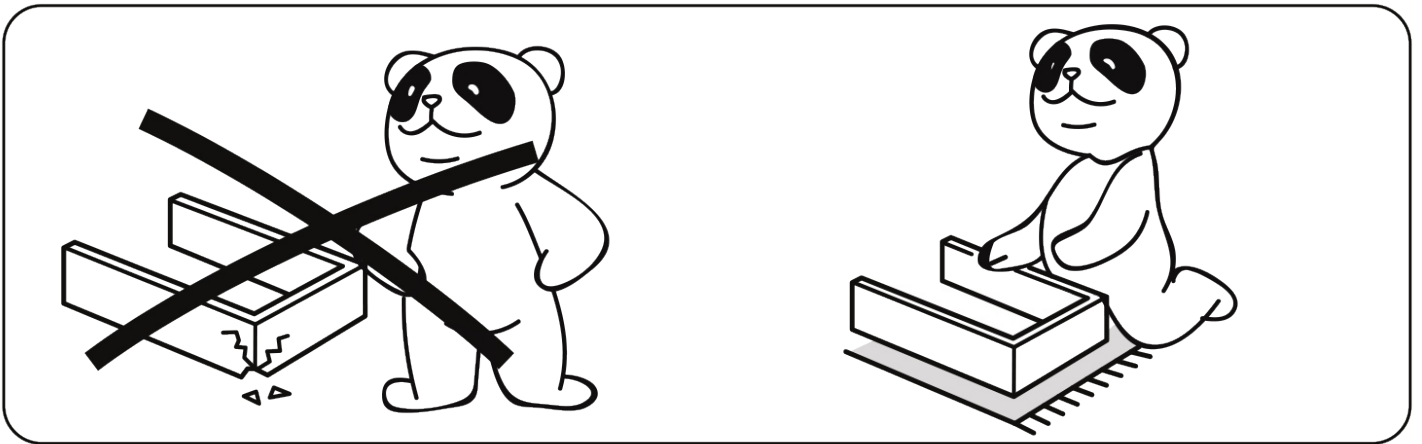
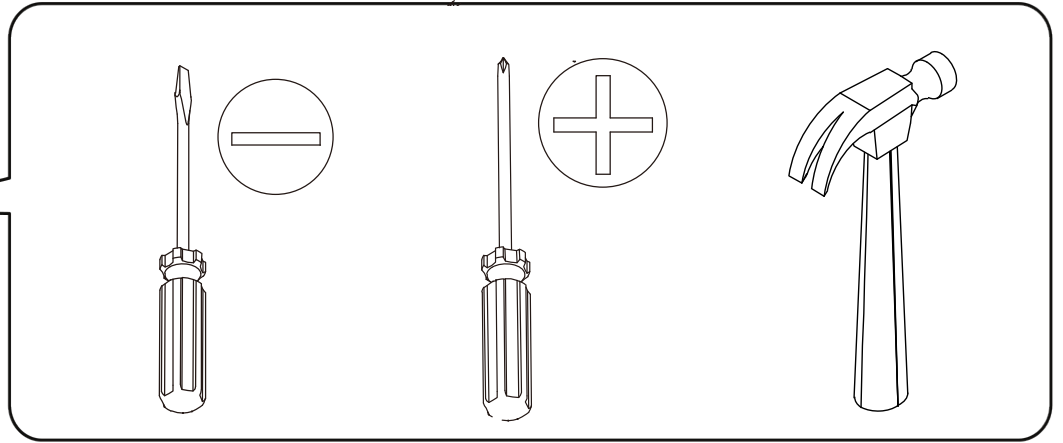
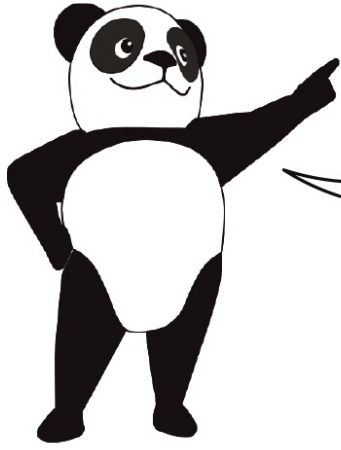


Chest of drawers





InstallationParts



A
x60(+2)
6x35mm



B
x60(+2)
15x10mm



C
x37(+3)
6x30mm



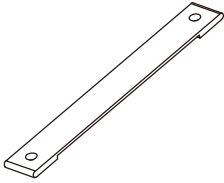
D
x43(+3)
4x35mm



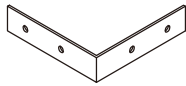
E
x112(+3)
3.5x12mm



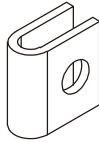
F
x14
4x12mm



G
x2



H
x2



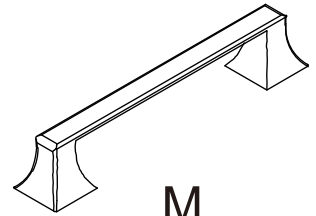
J
x4



K
x2
6x30mm



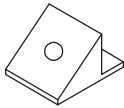
L
x12(+1)



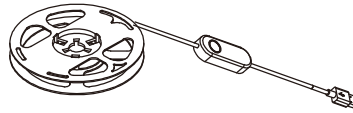
M
x6



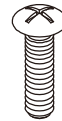
N
x12(+1)
3x16mm



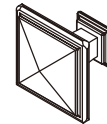
O
x12(+1)



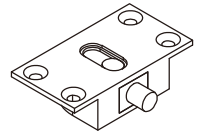
P
x1



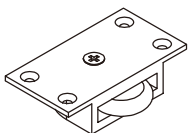
Q
x2



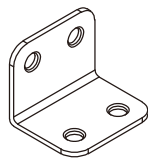
R
x2



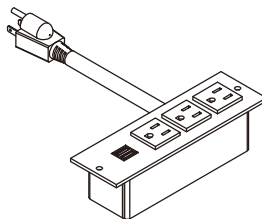
S
x4



T
x4



U
x2



V
x1



W
x2
3.5x12mm



X
x5

InstallationParts



CL
x6
L350mm



CR
x6
L350mm

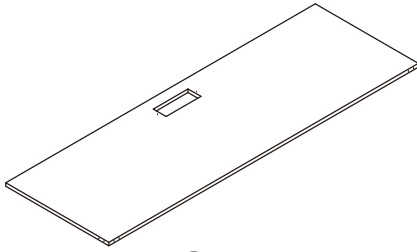


DL
x6
L350mm



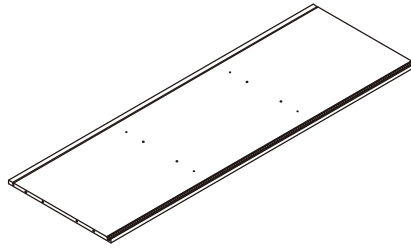
DR
x6
L350mm

Mountingframe



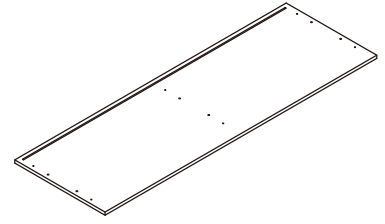
1

x1



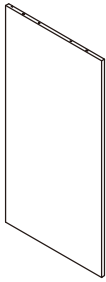
2

x1



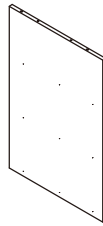
3

x1



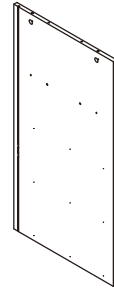
4

x1



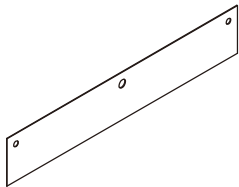
5

x1



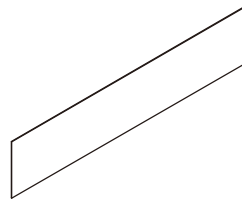
6

x1



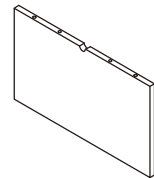
7

x1



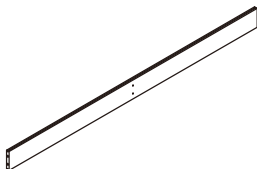
8

x2



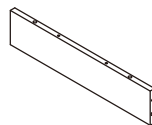
9

x2



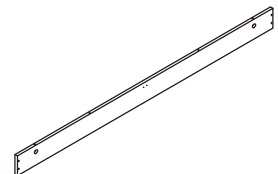
10

x1



11

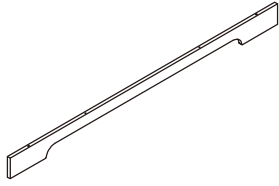
x2



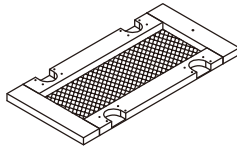
12

x1

Mountingframe

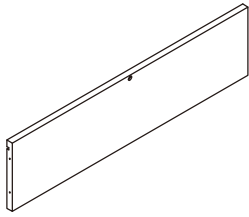


13
x1

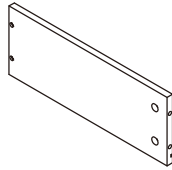


14
x2

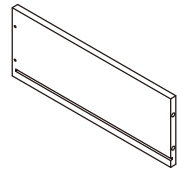
Drawer



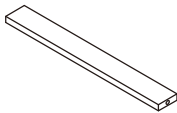
15
x6



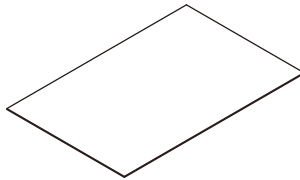
16
x6



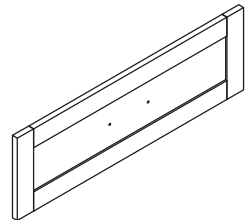
17
x6



18
x6



19
x6



20
x6

Mountingframe



A
x30



B
x30



C
x37



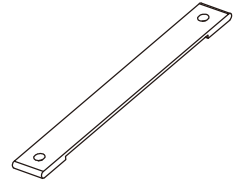
D
x11



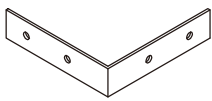
E
x76



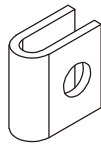
F
x14



G
x2



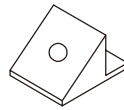
H
x2



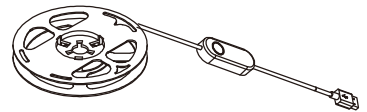
J
x4



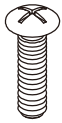
N
x12



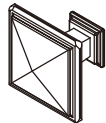
O
x12



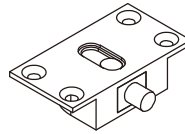
P
x1



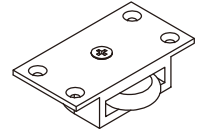
Q
x2



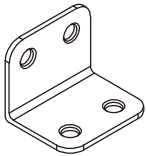
R
x2



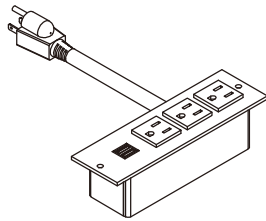
S
x4



T
x4



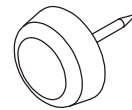
U
x2



V
x1



W
x2



X
x5

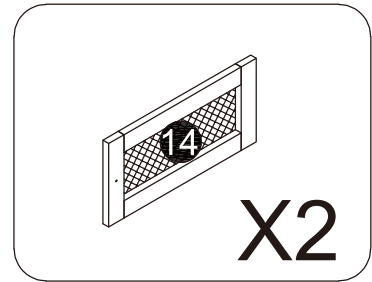
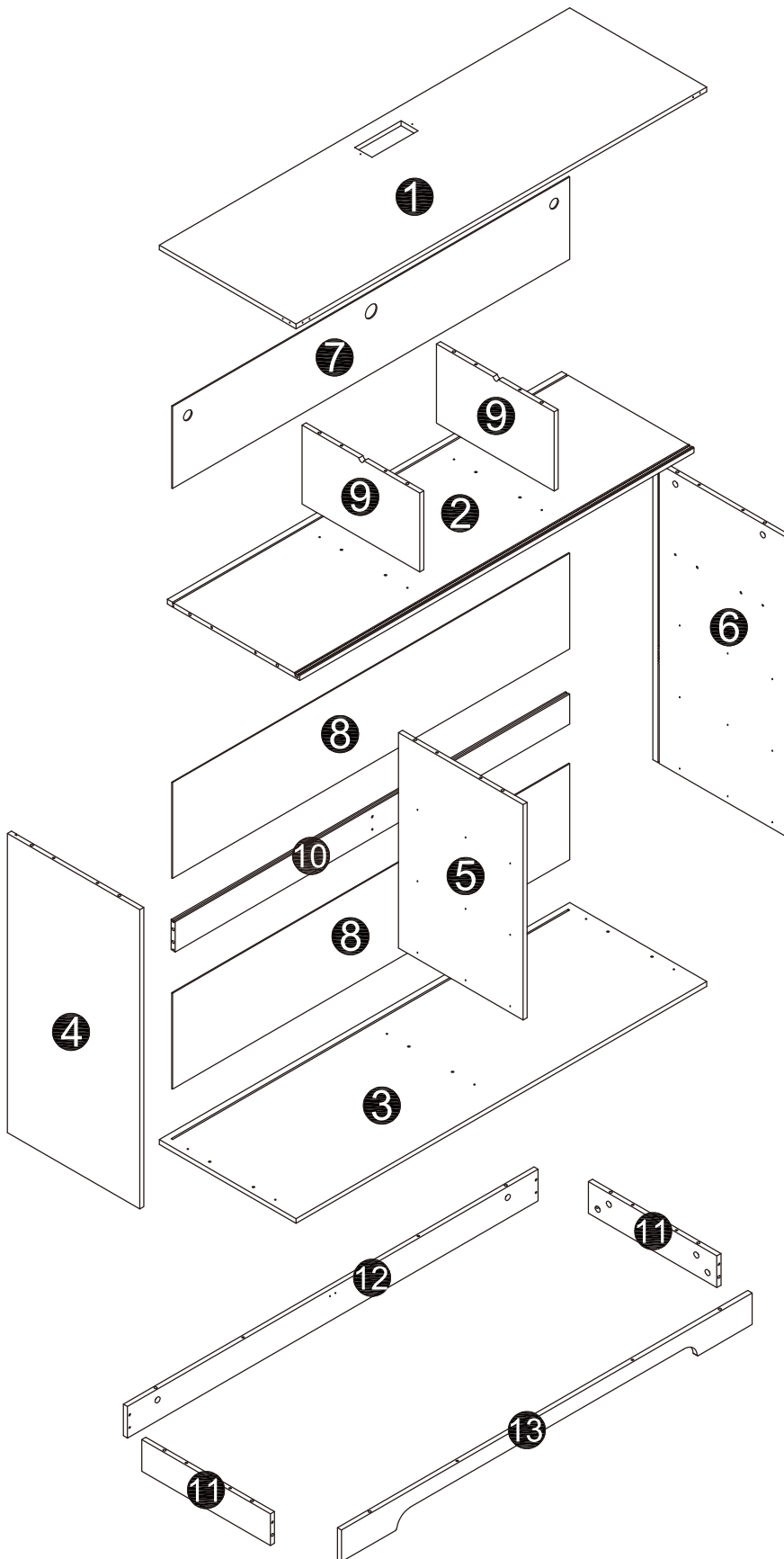


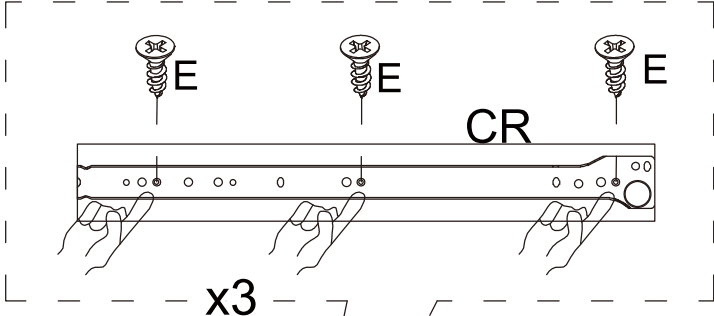
CLx6



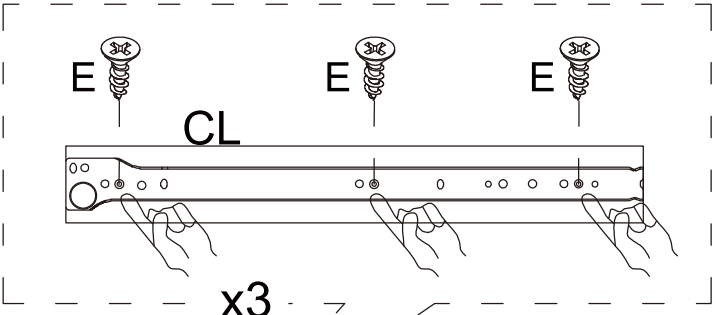
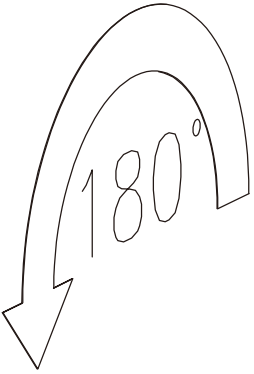
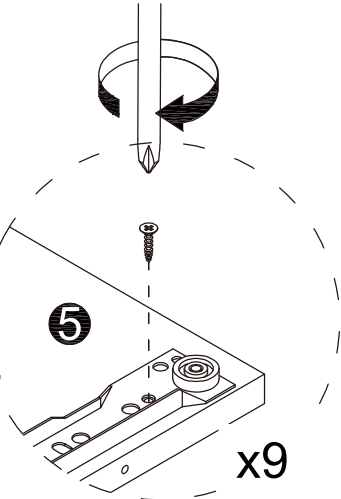
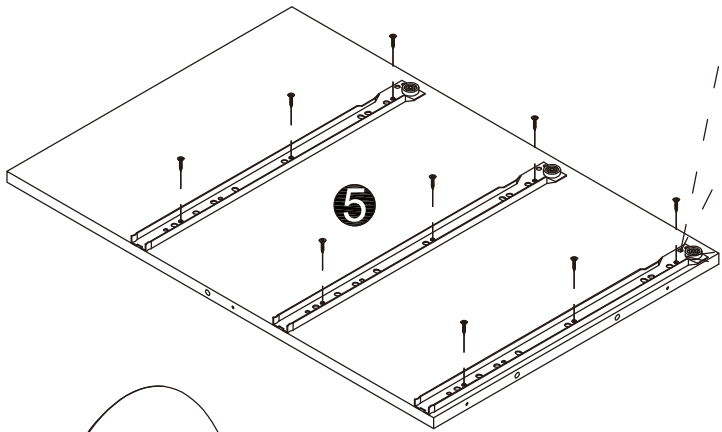
CRx6

Mountingframe

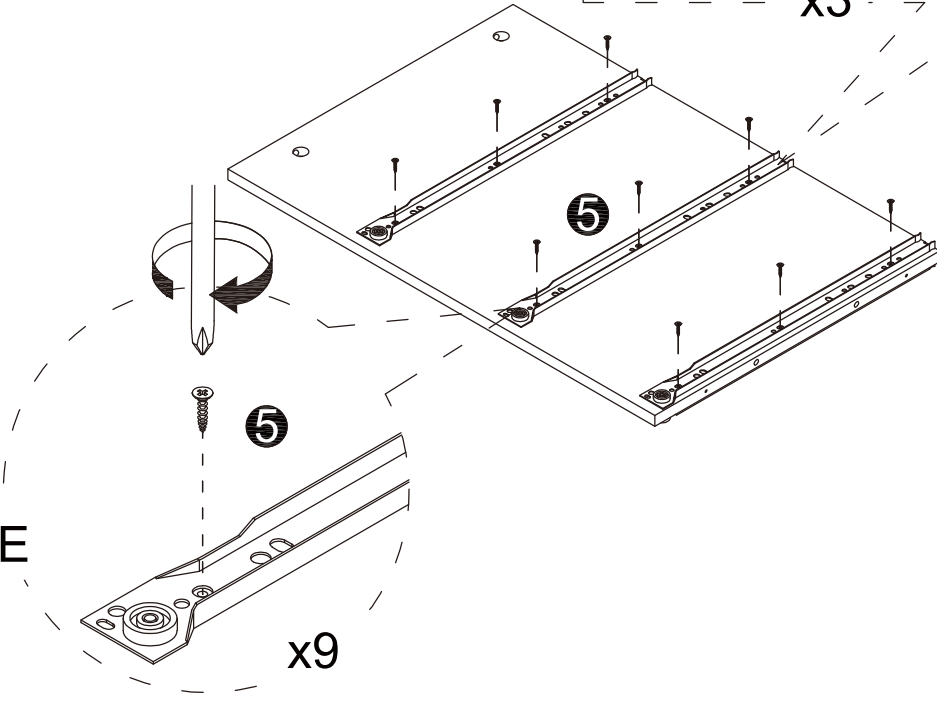


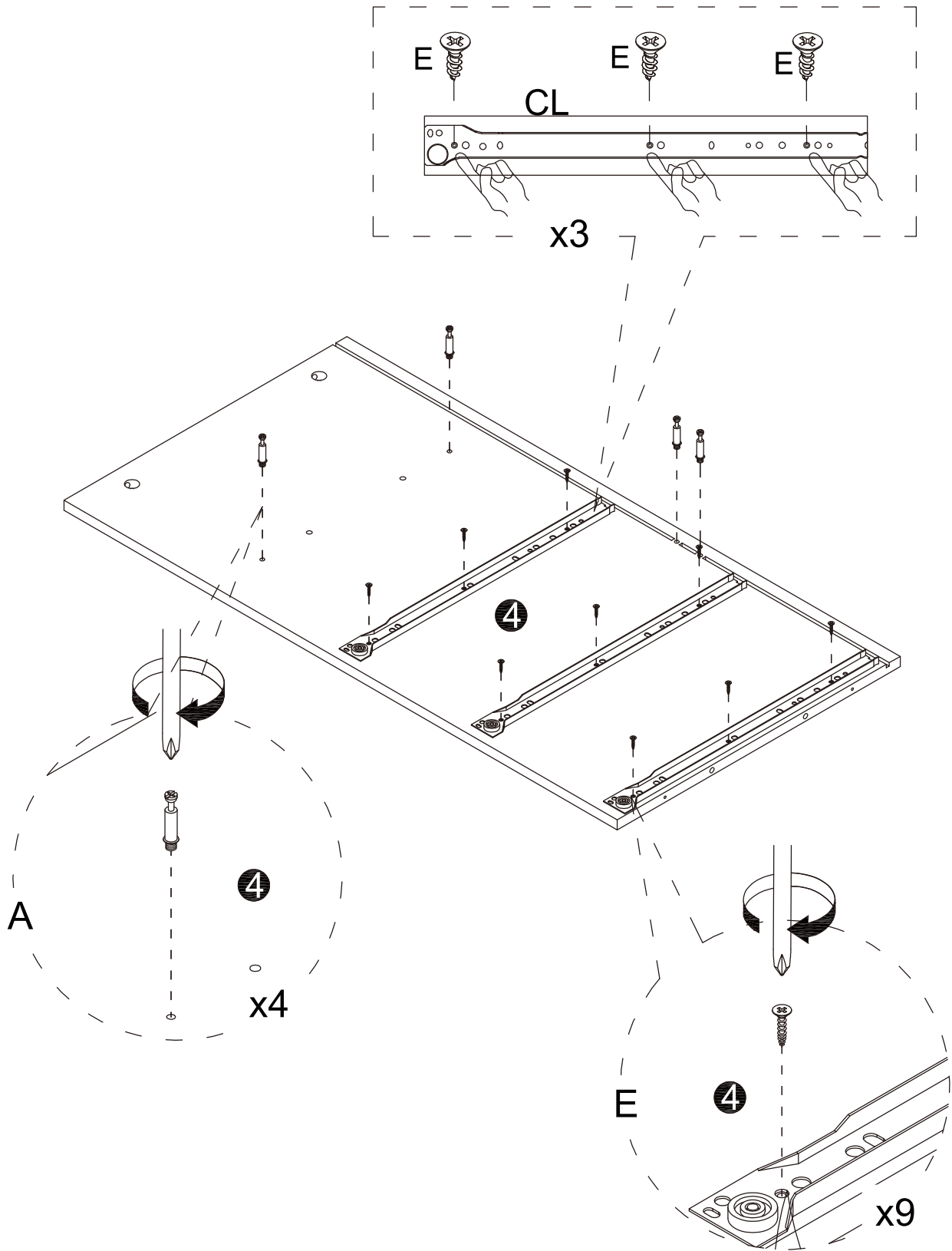


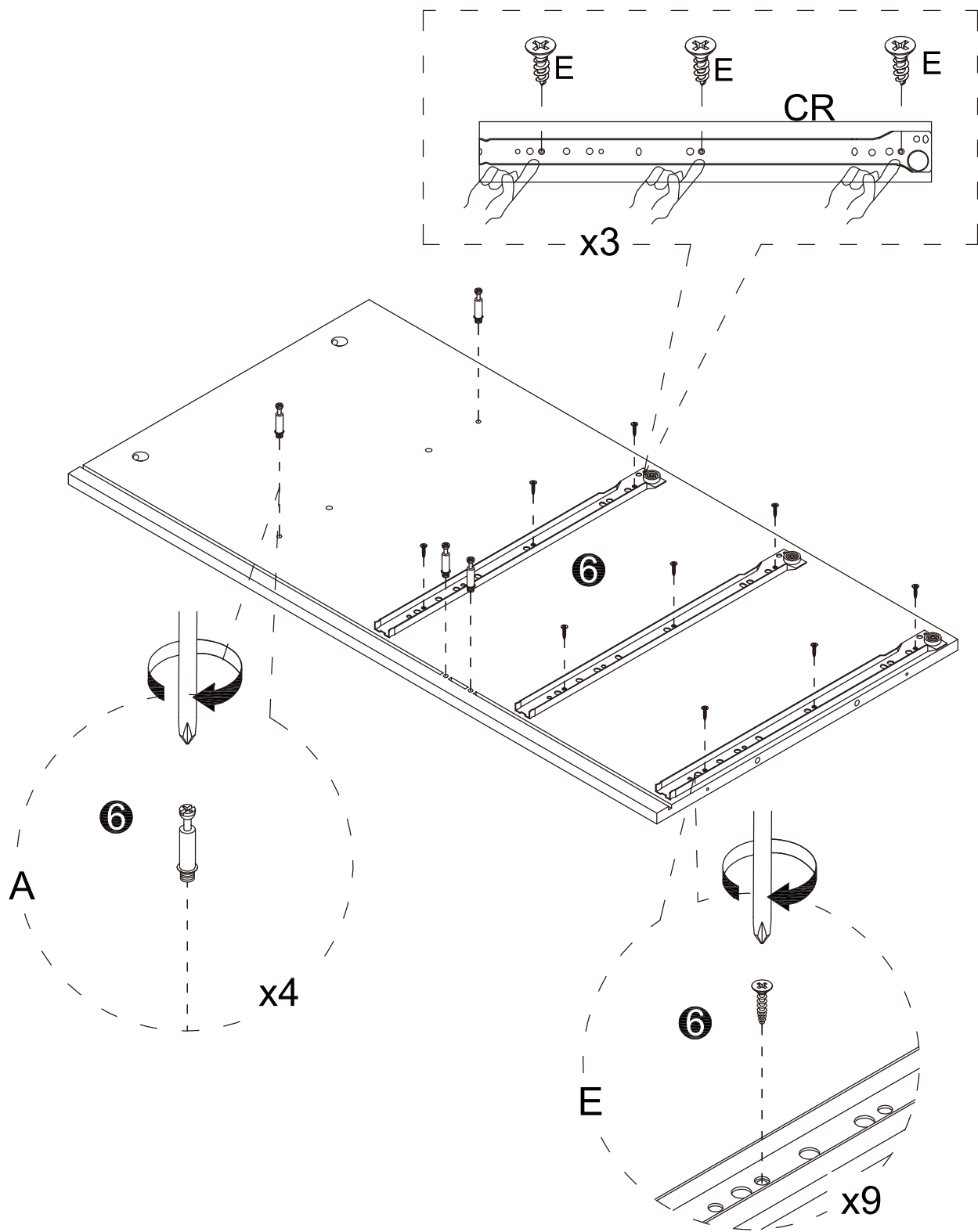
x3



x3



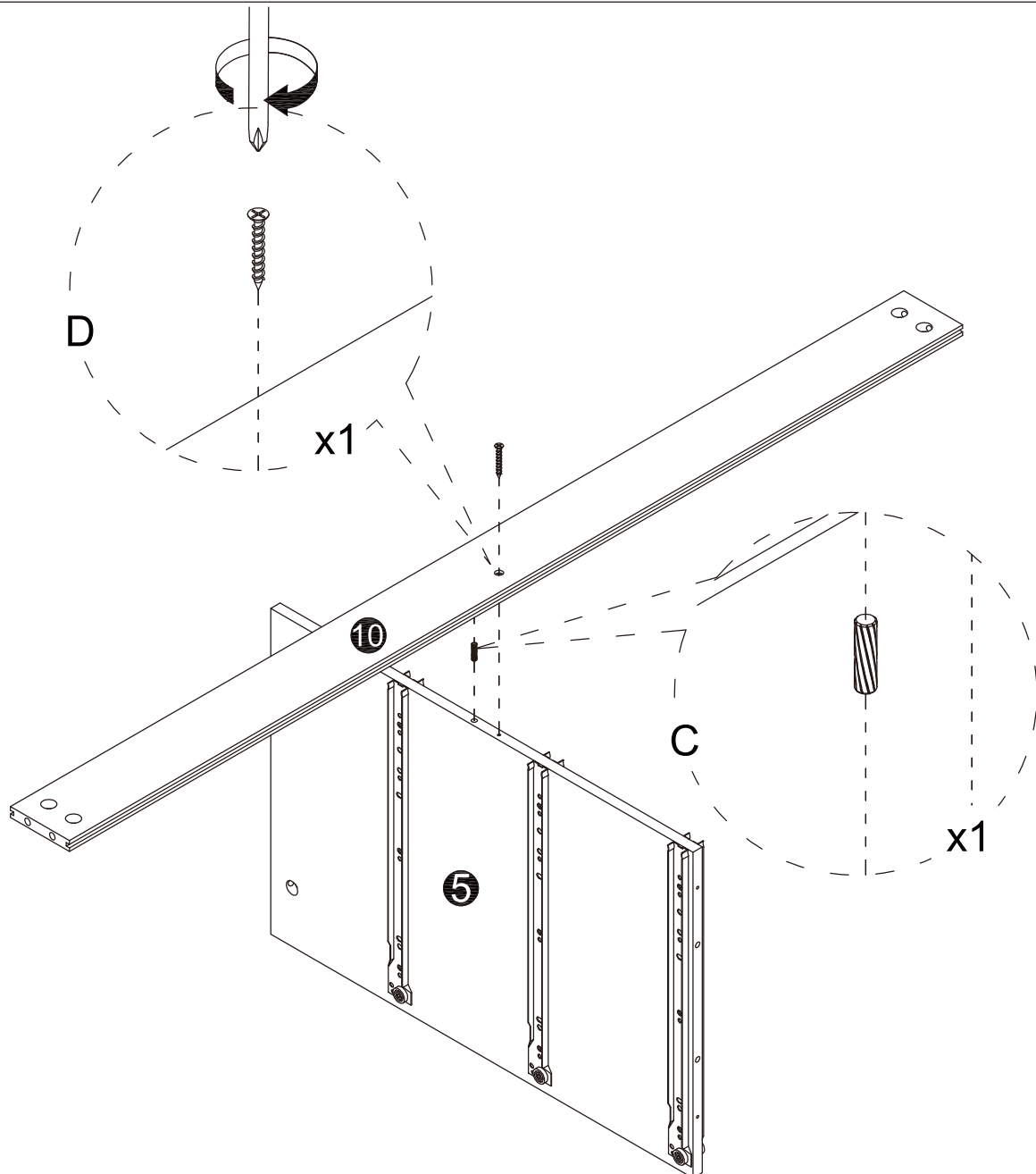
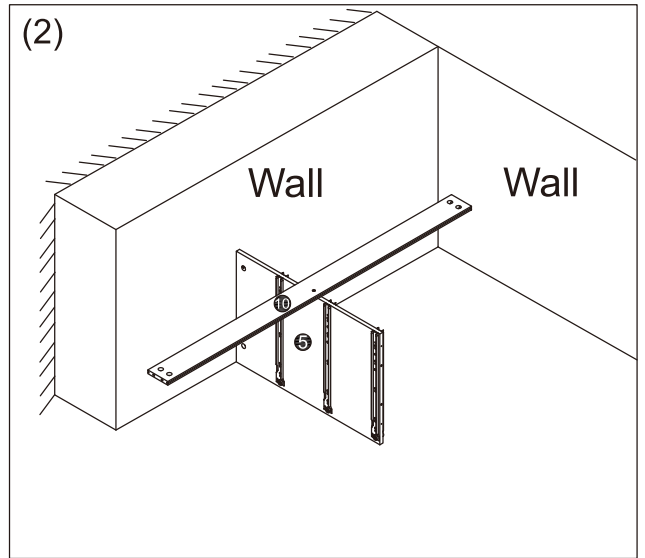
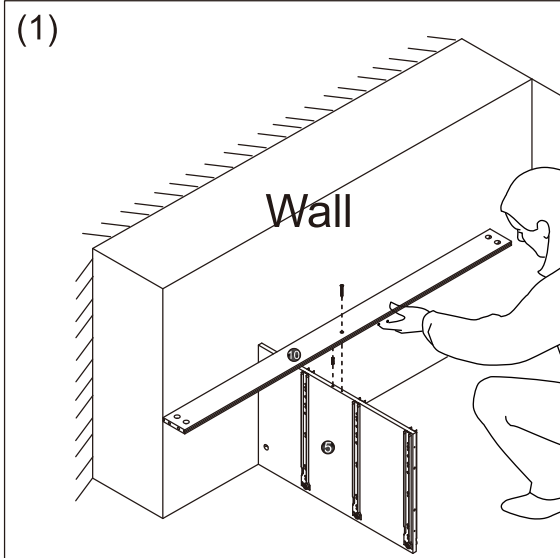


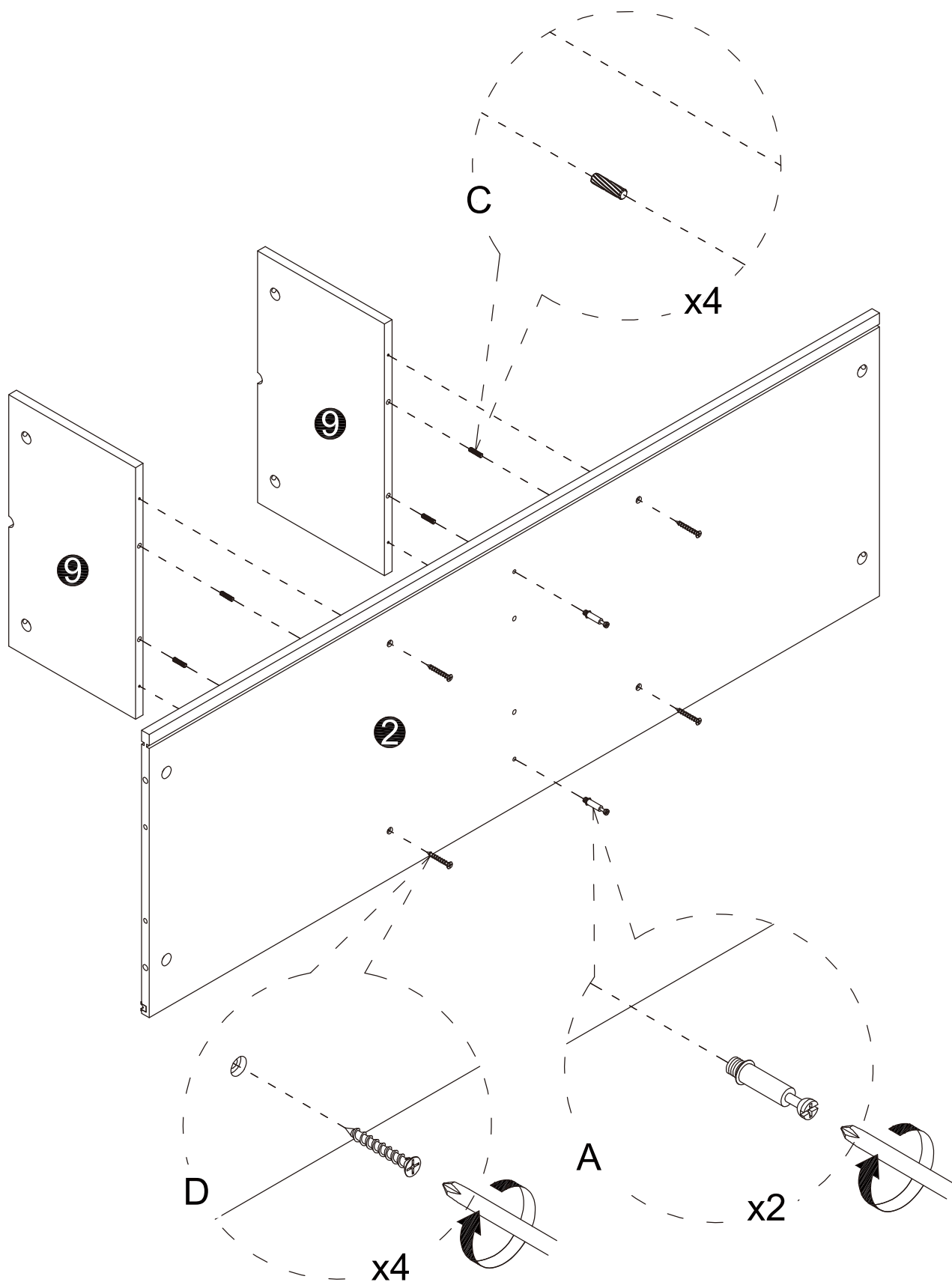


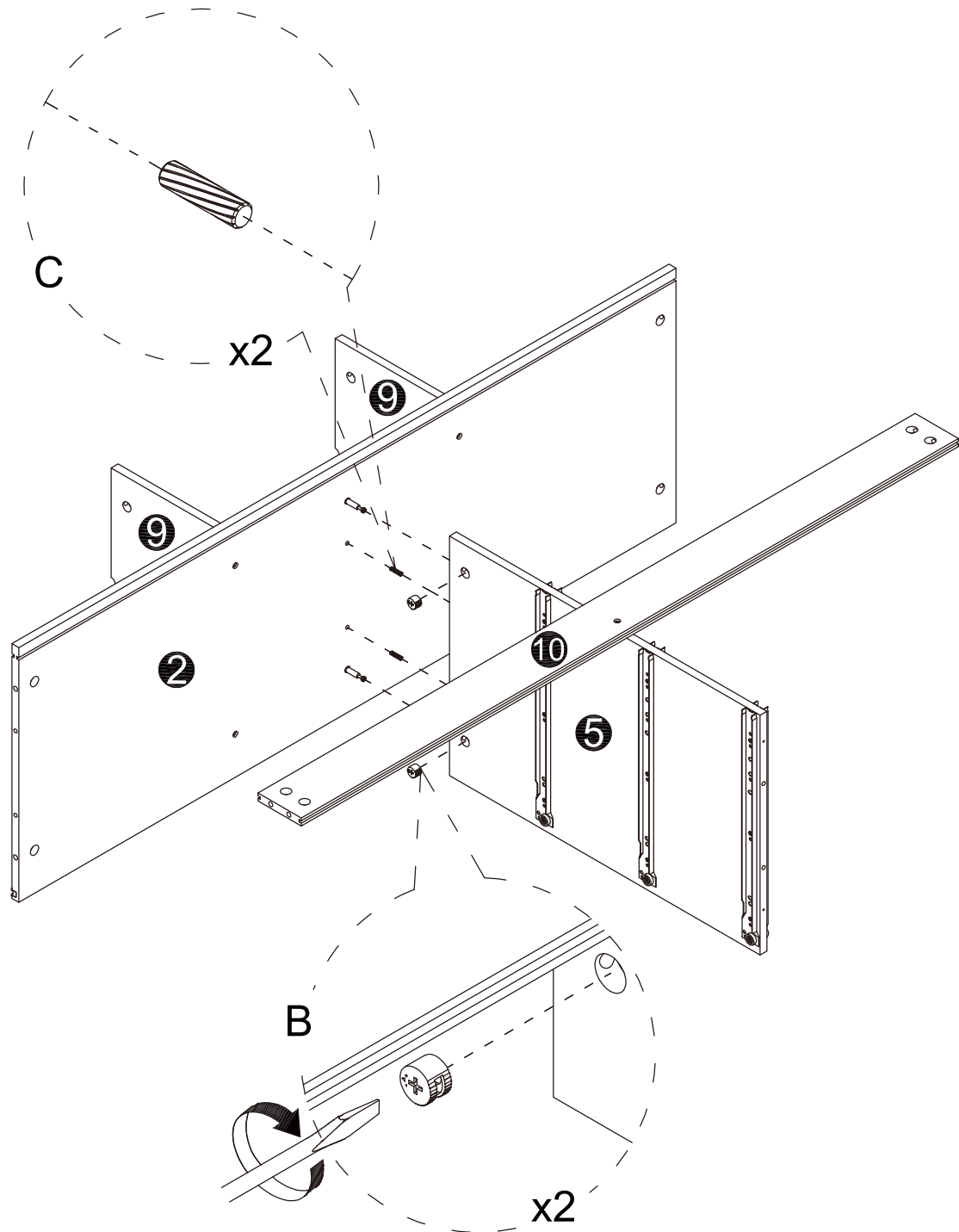
4

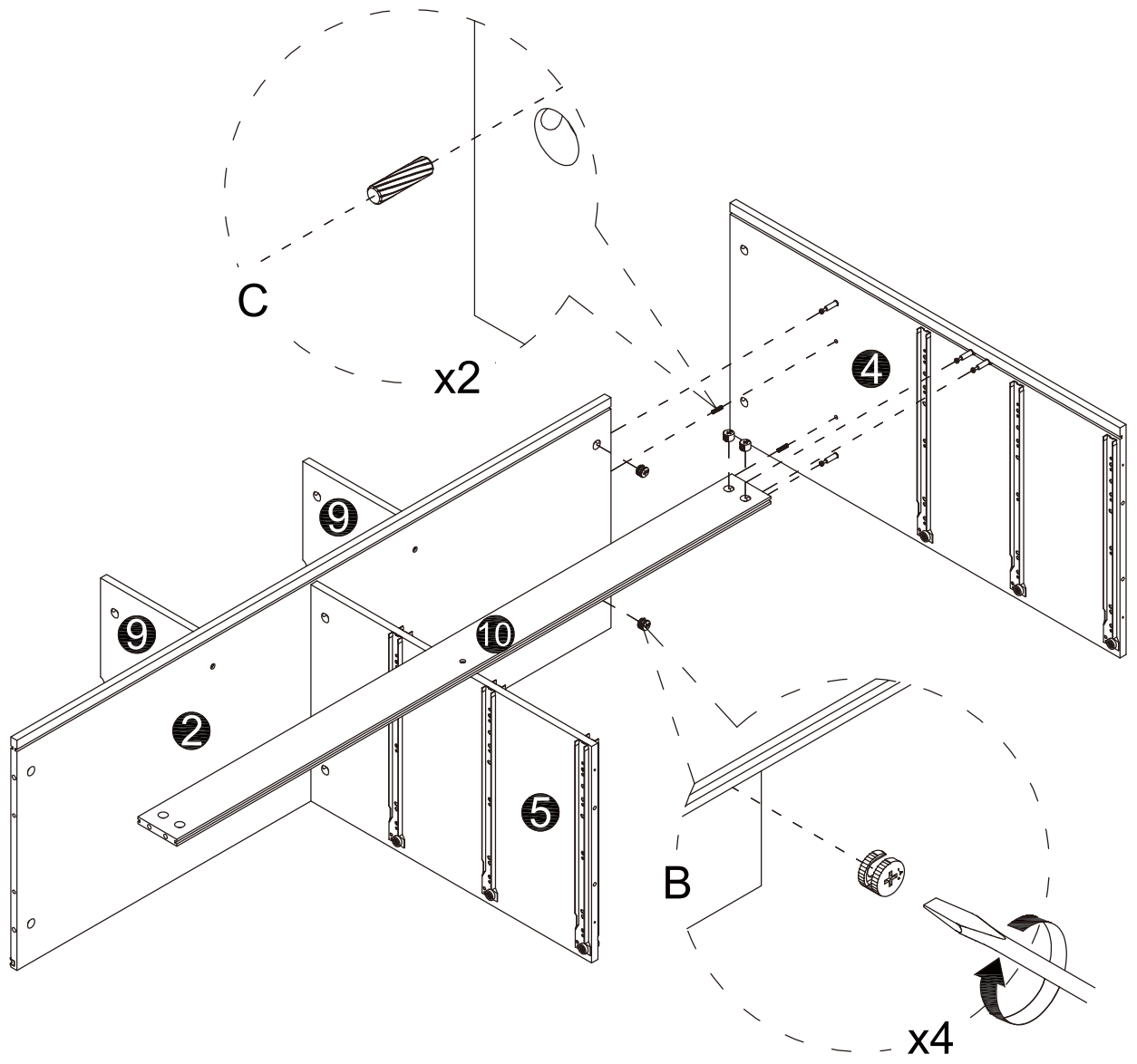
Suggestion:

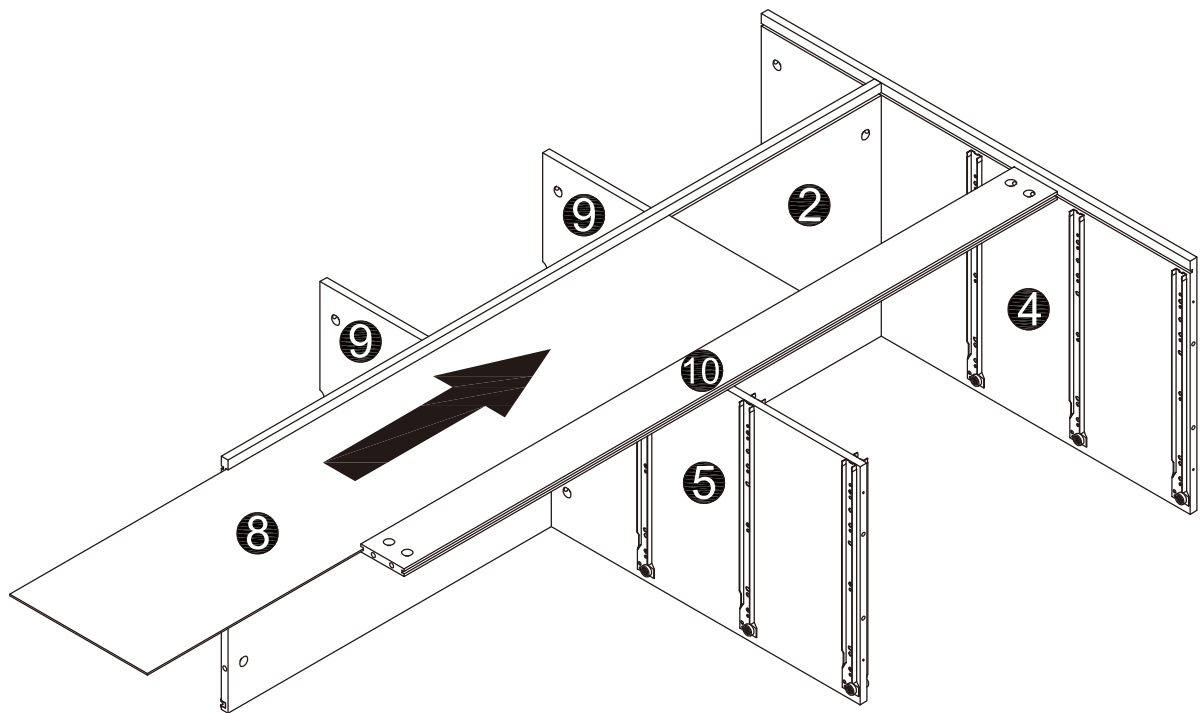
When installing by one person, use the wall to assist installation

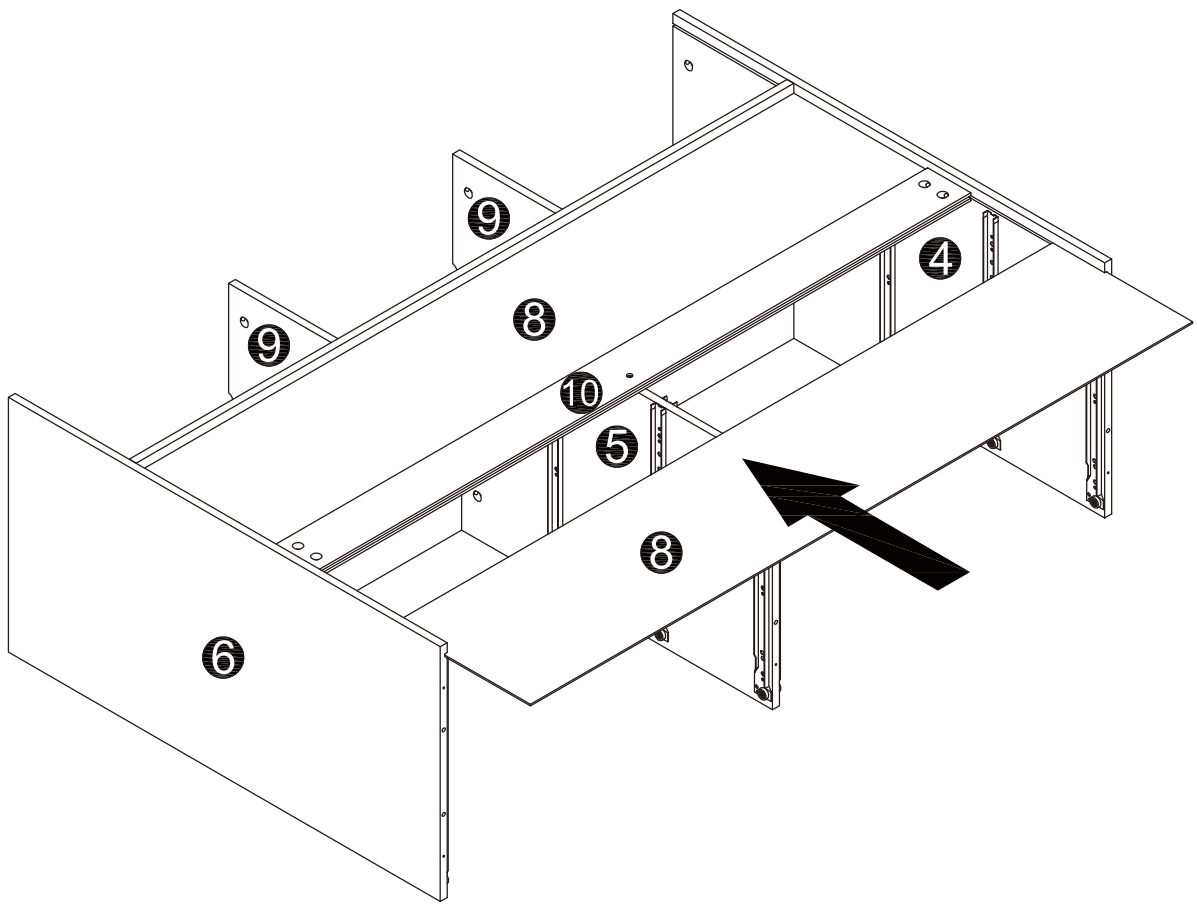


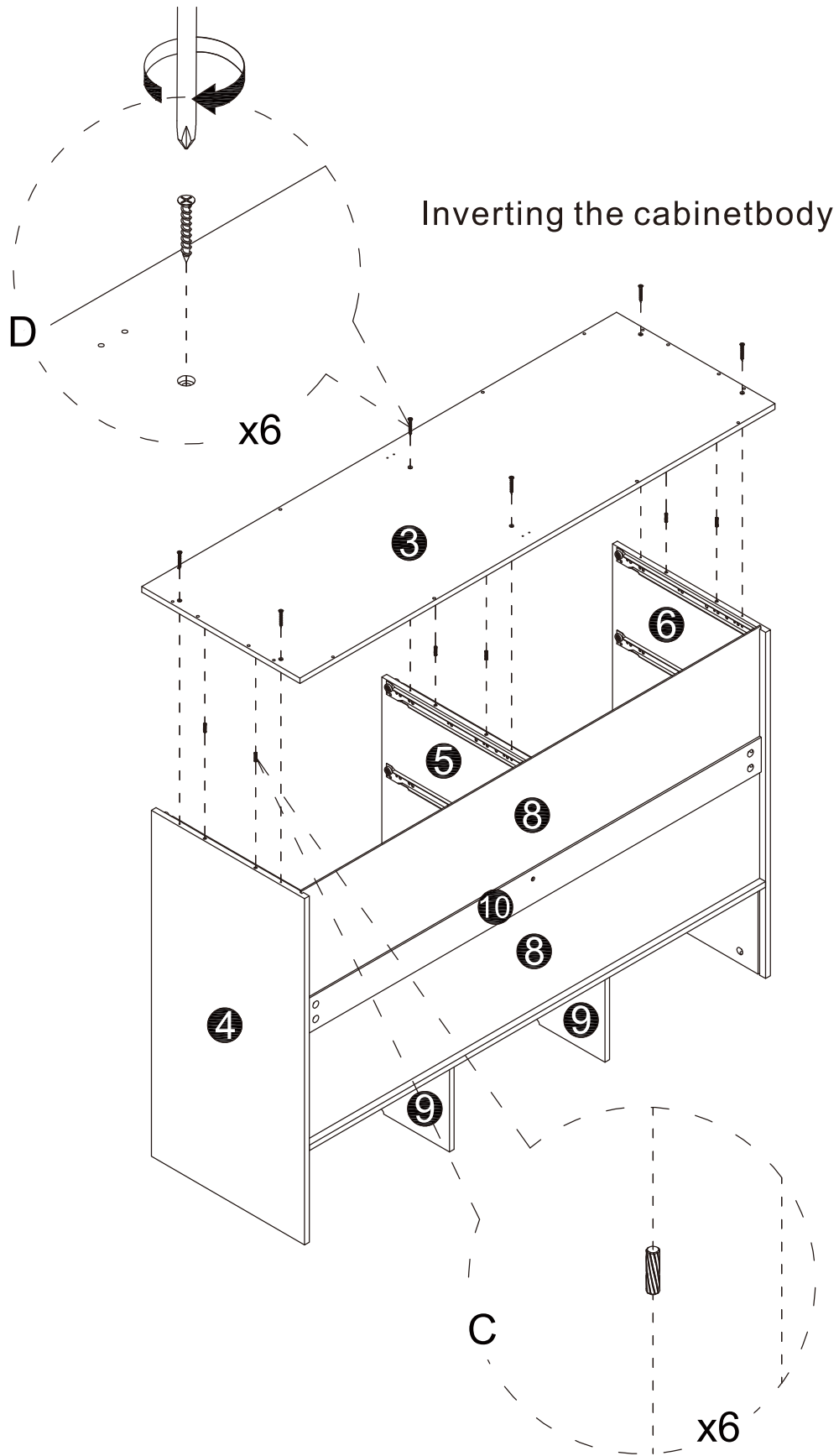


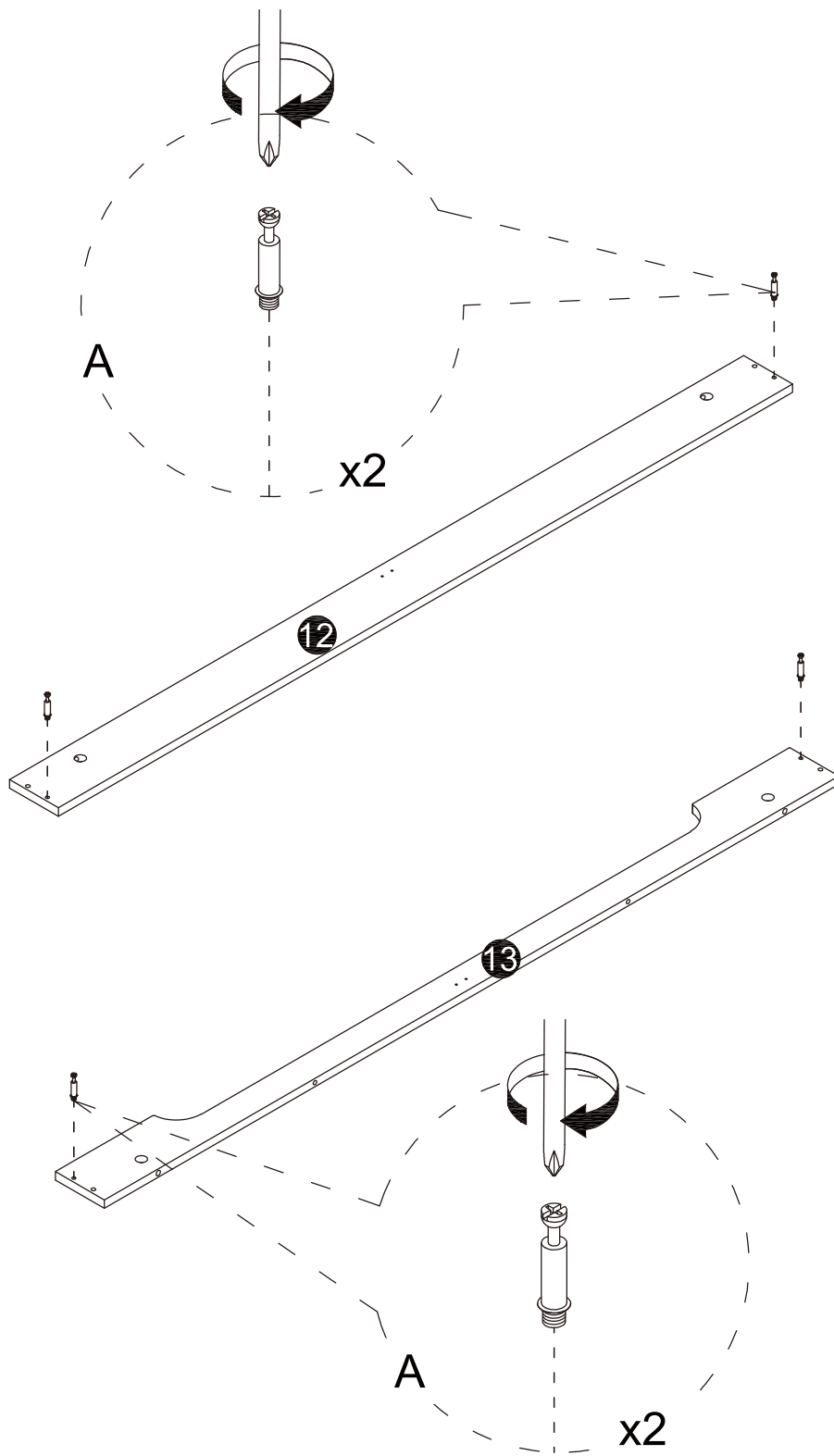


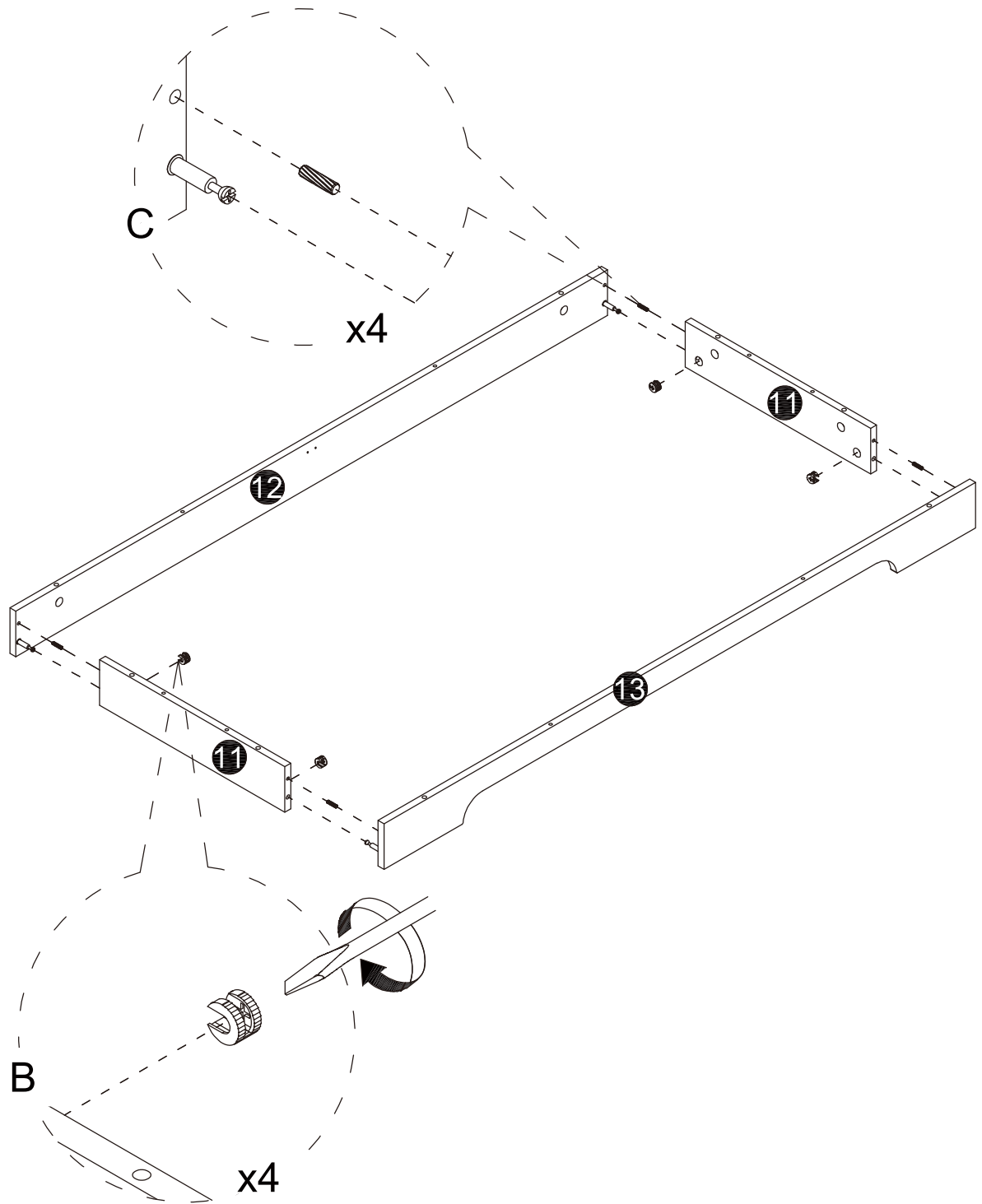


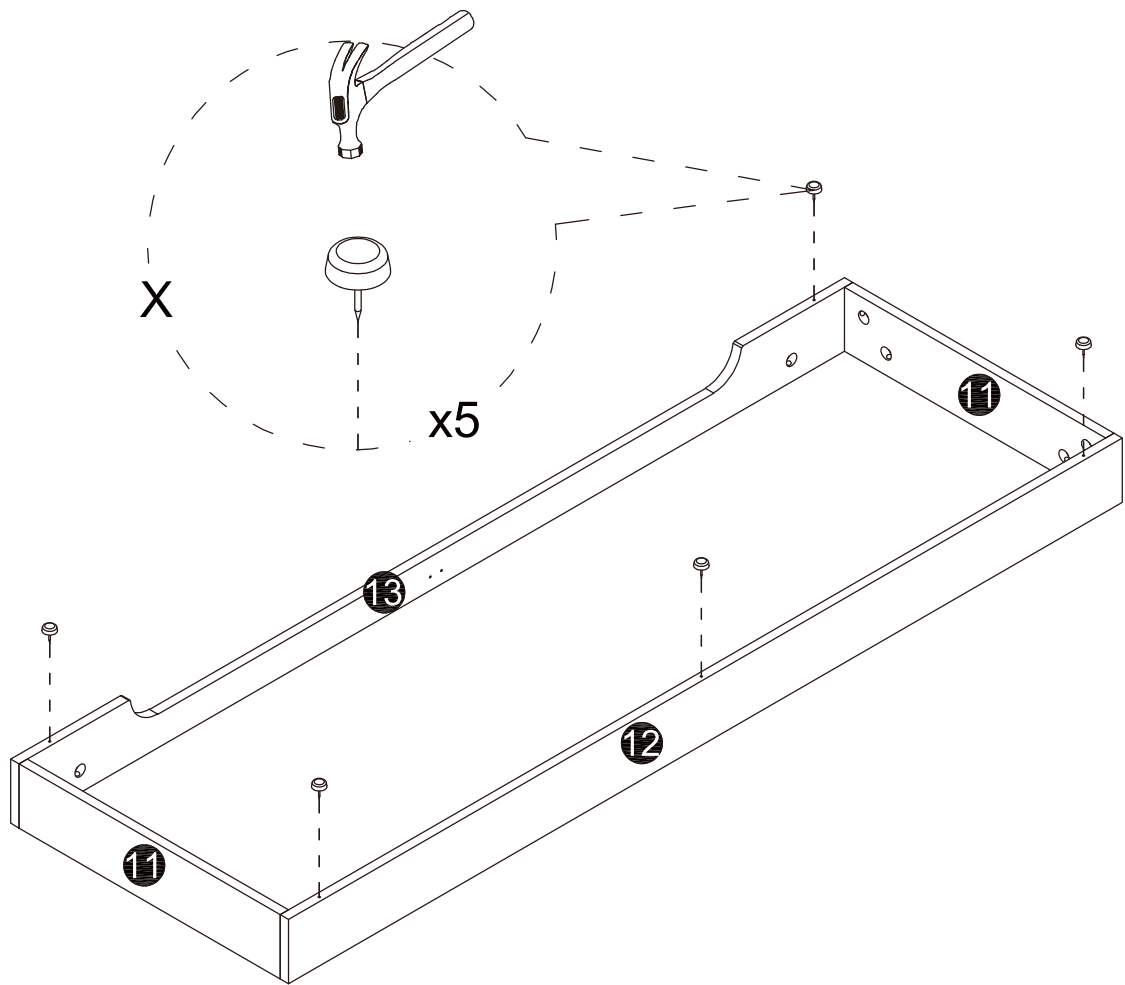


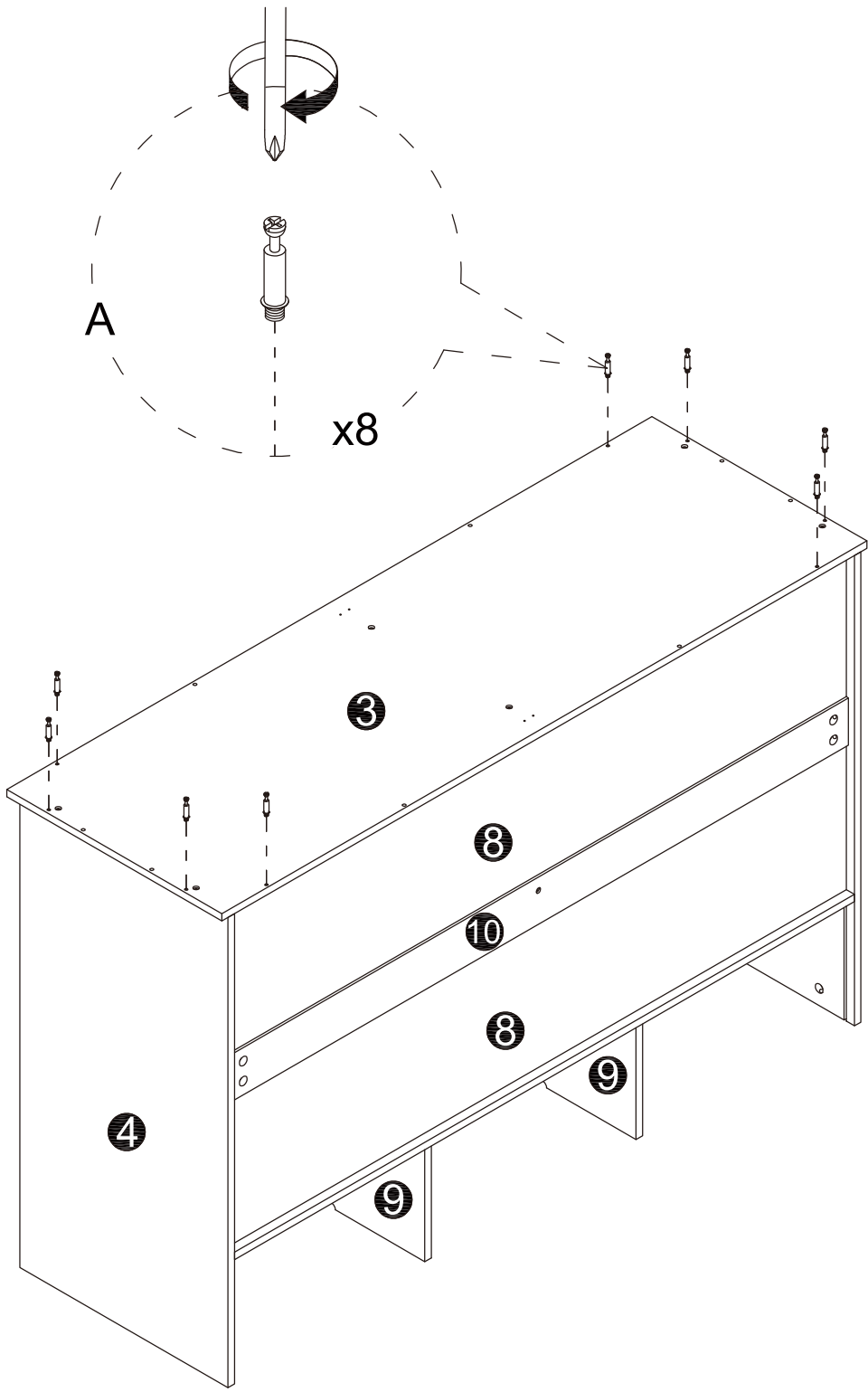


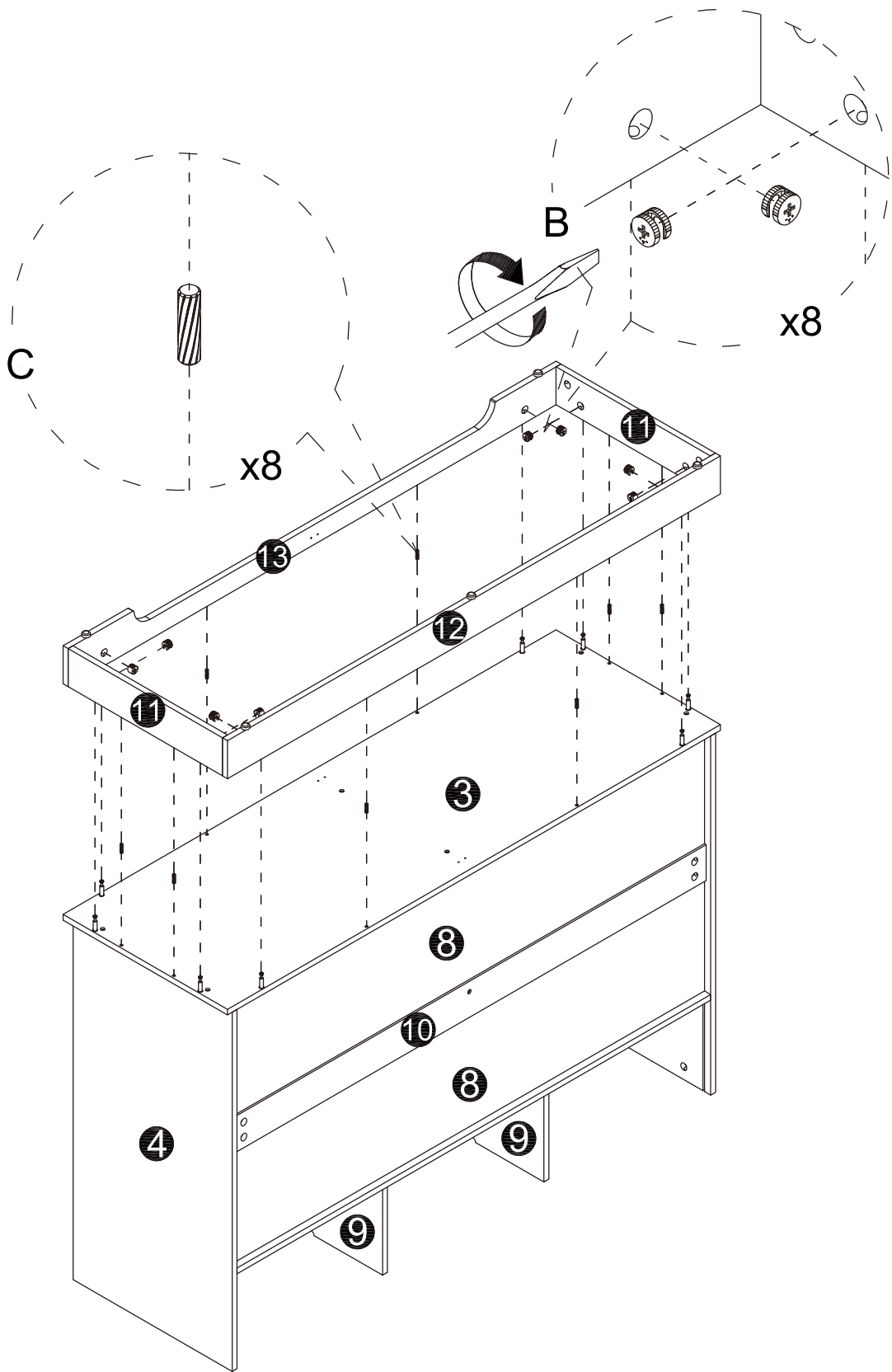


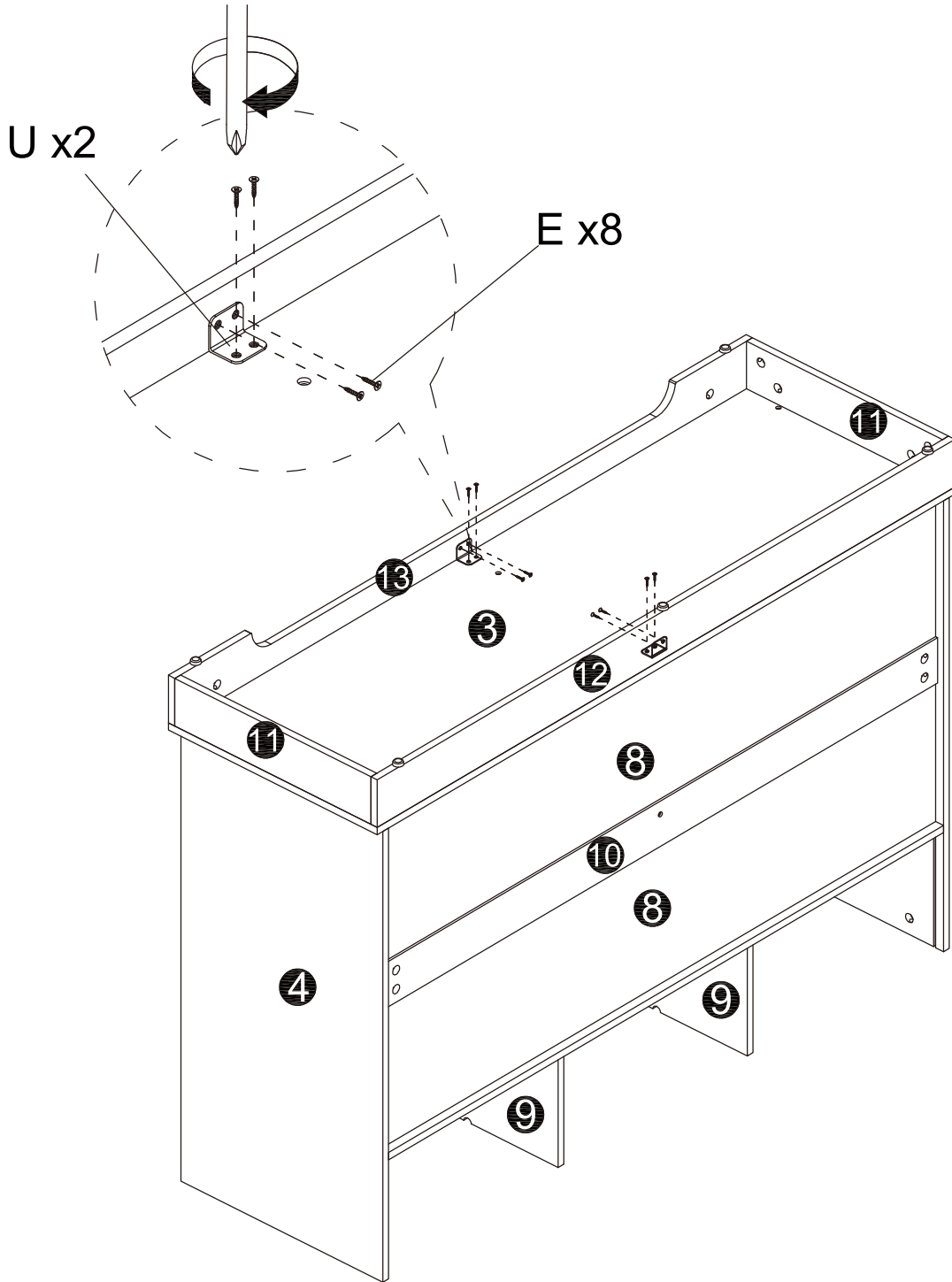


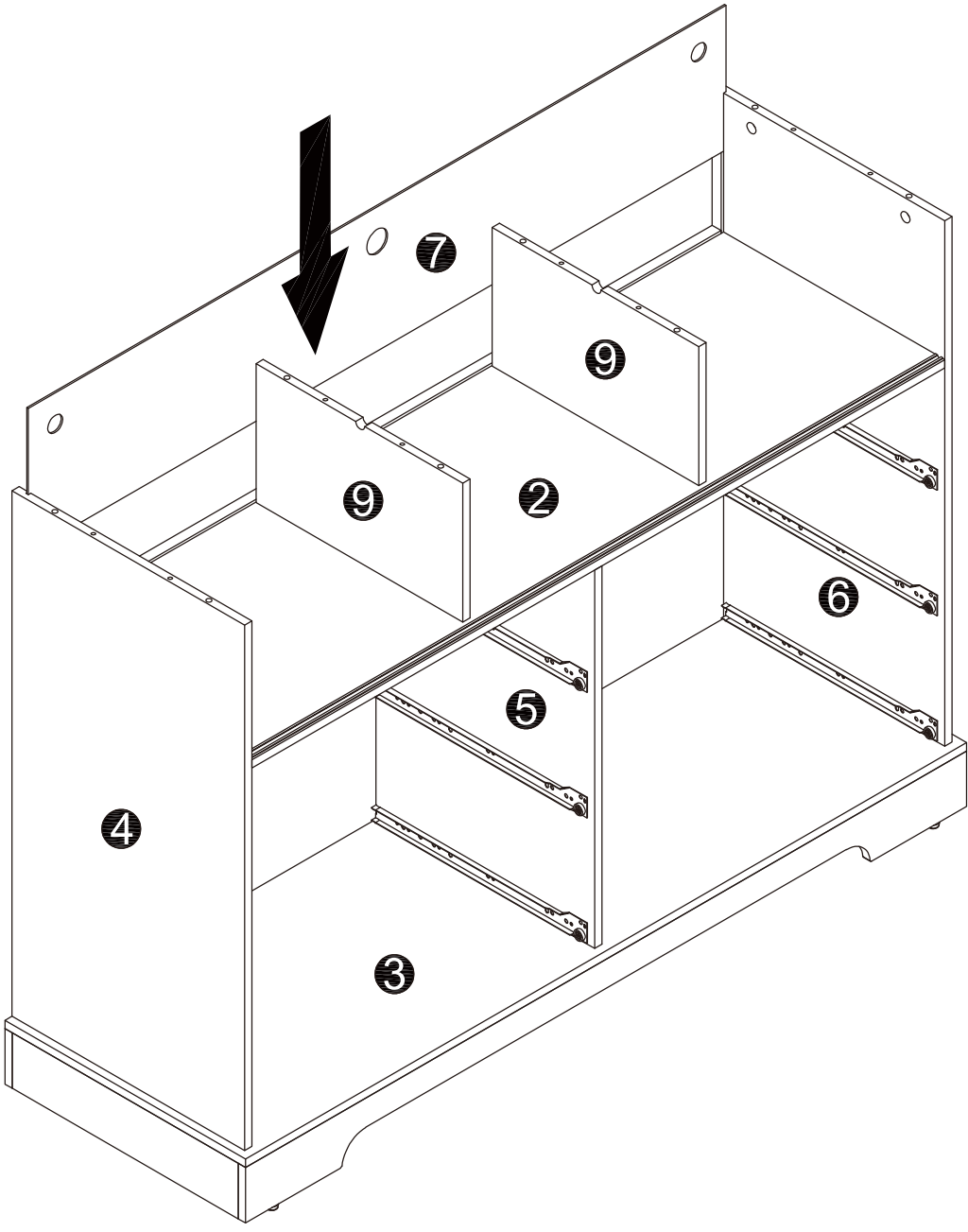


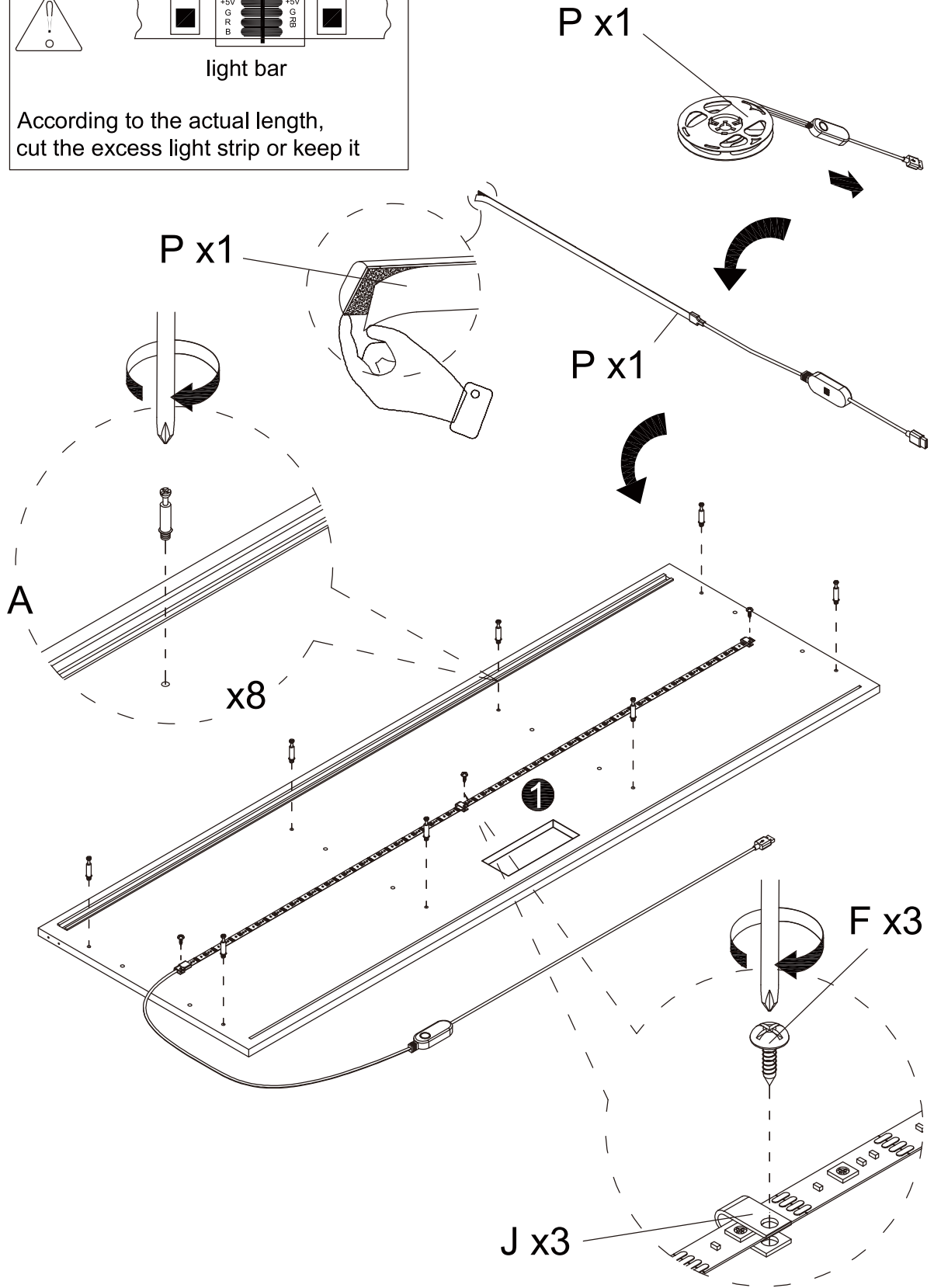
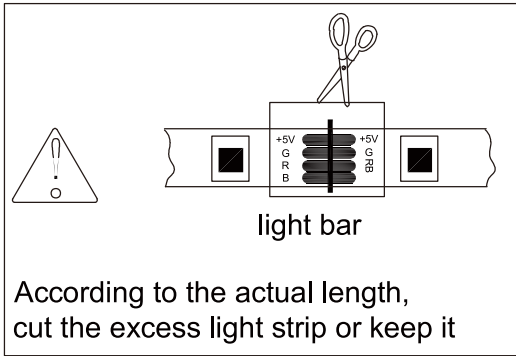


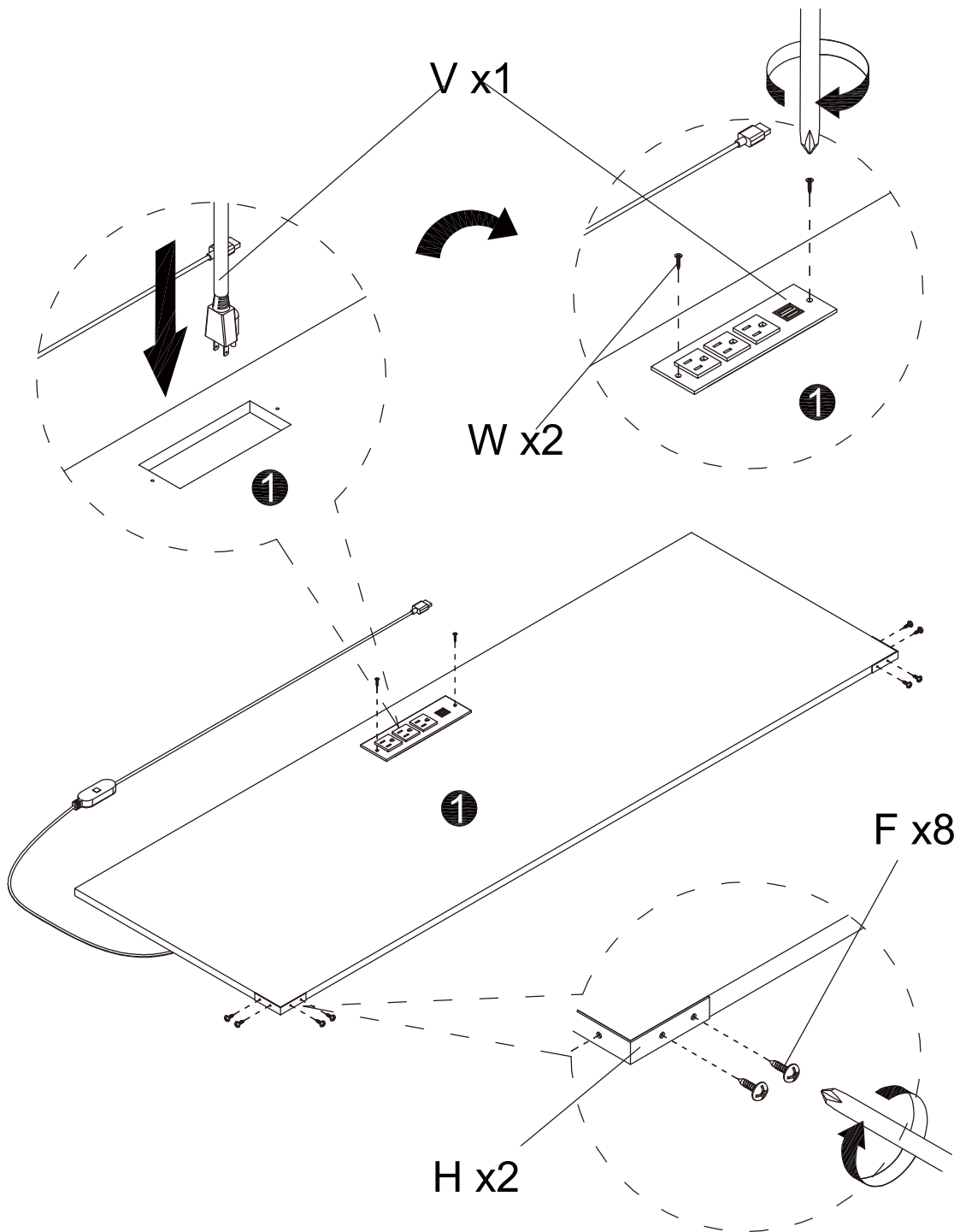


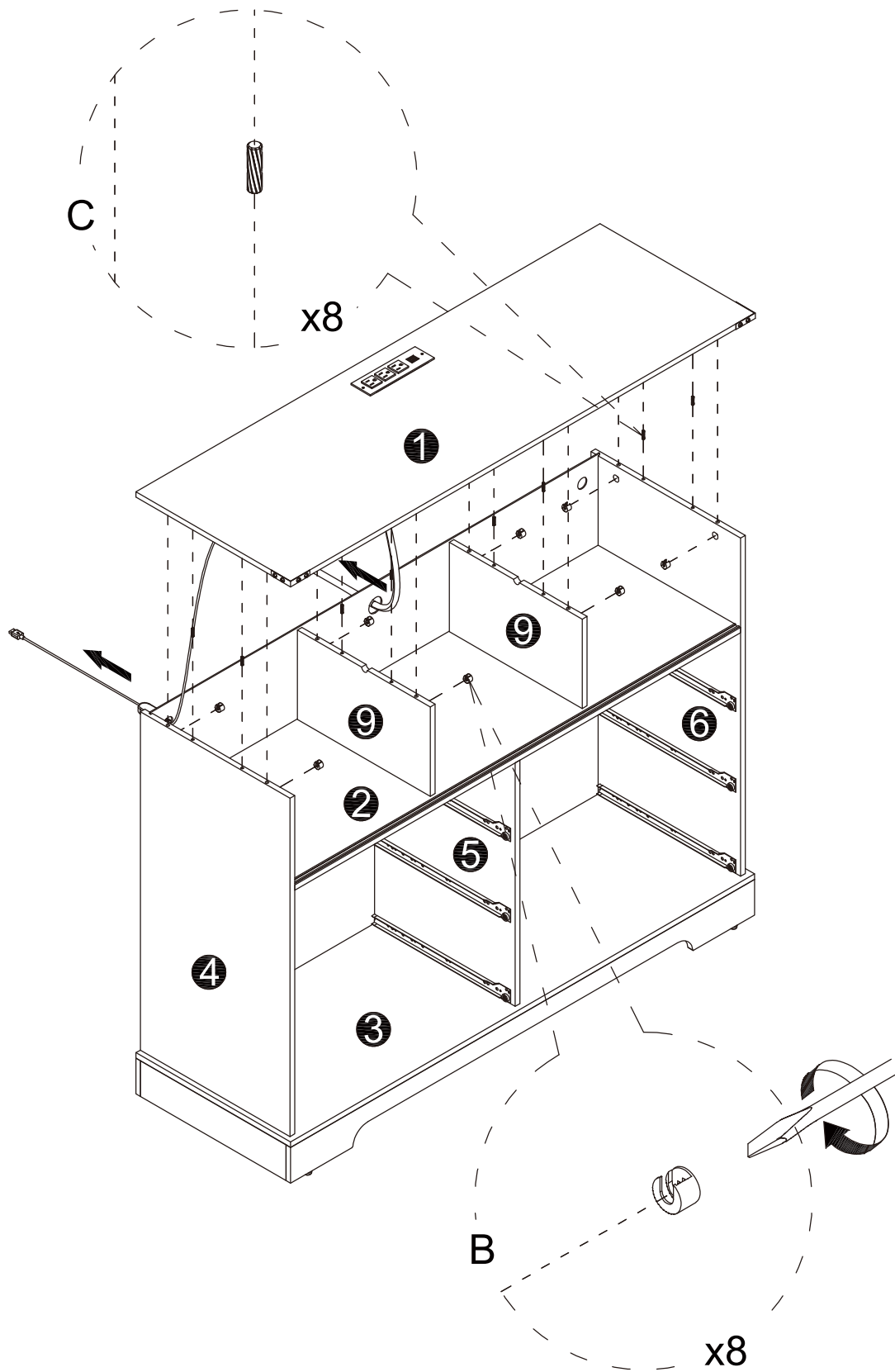


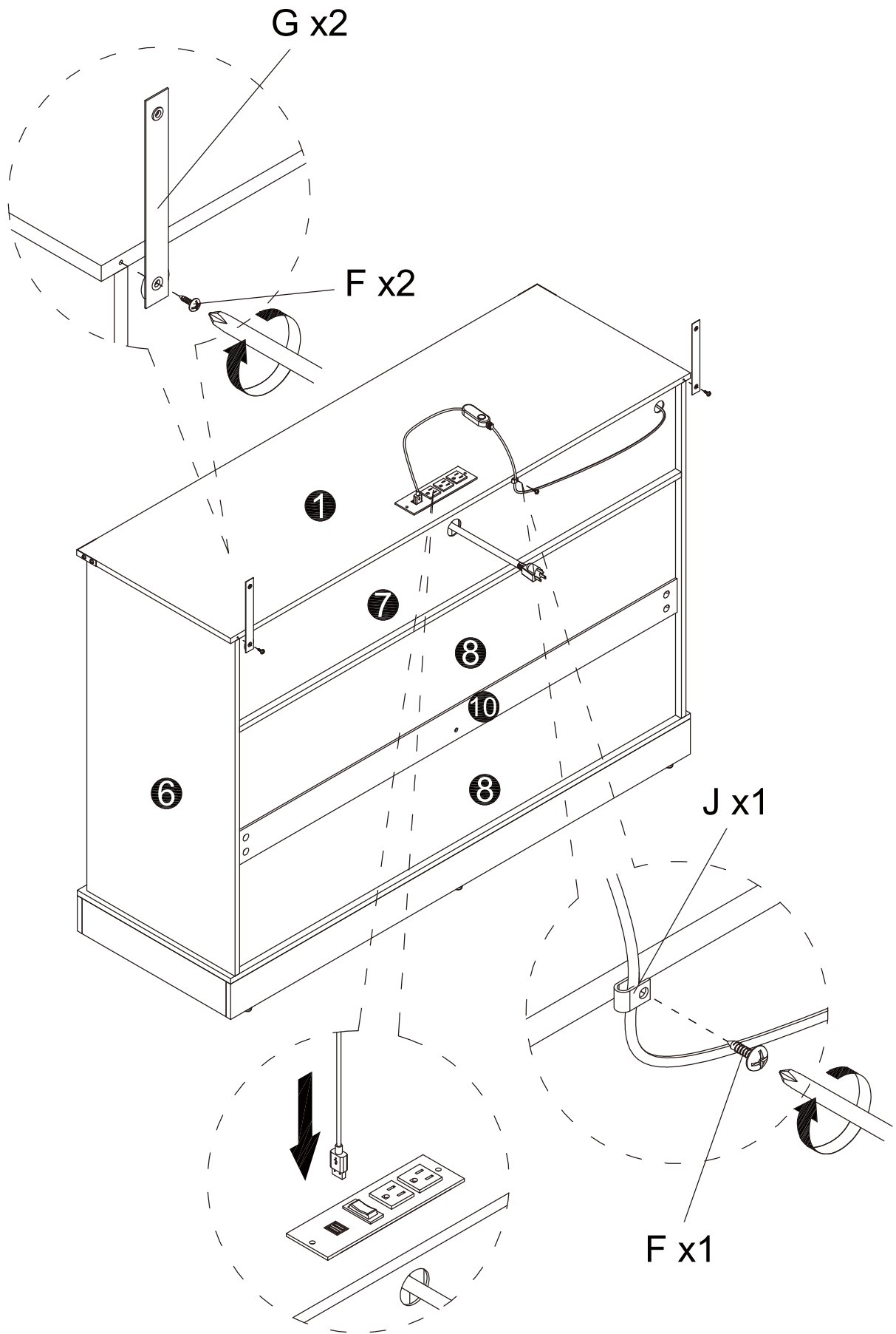


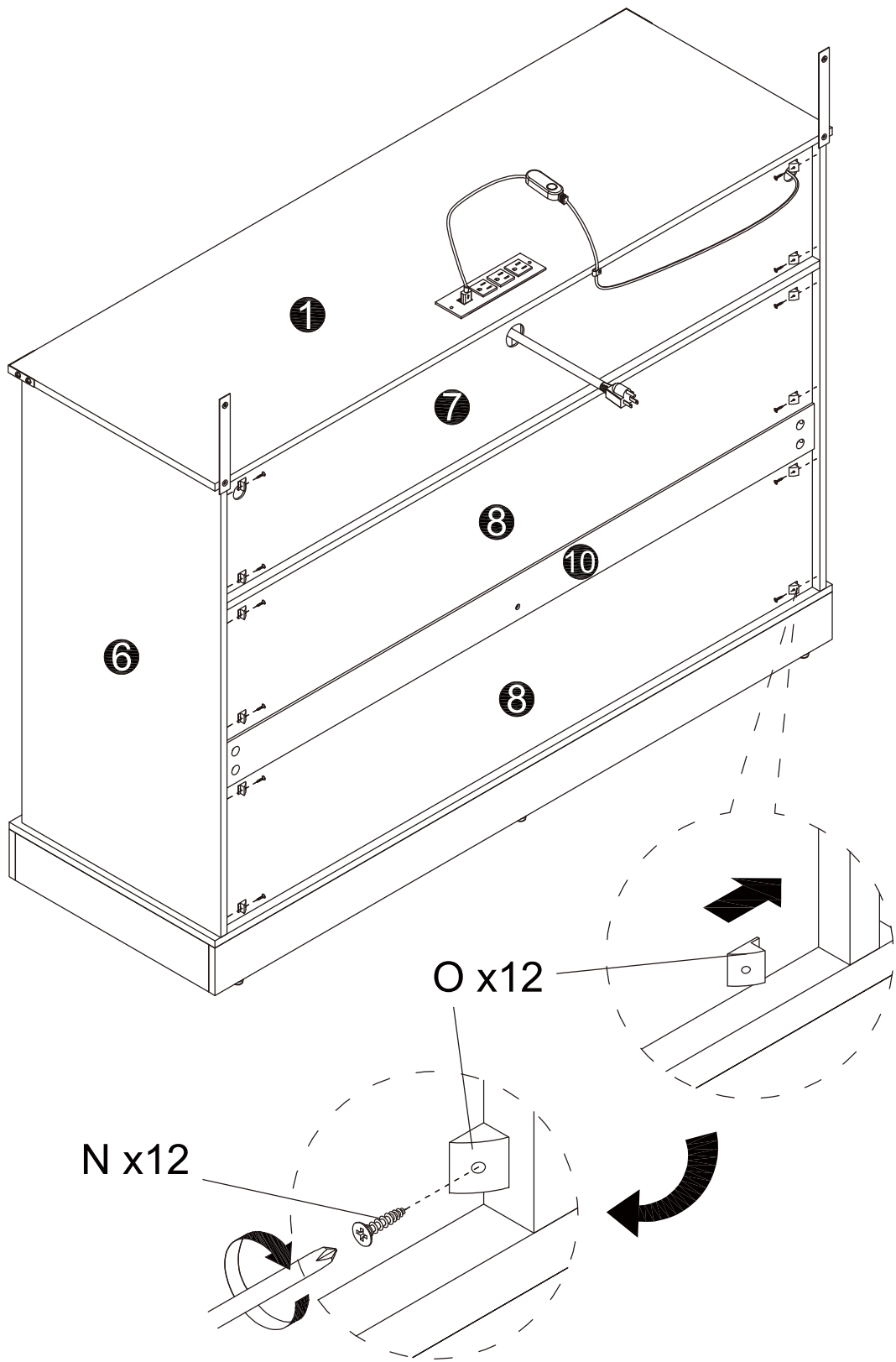


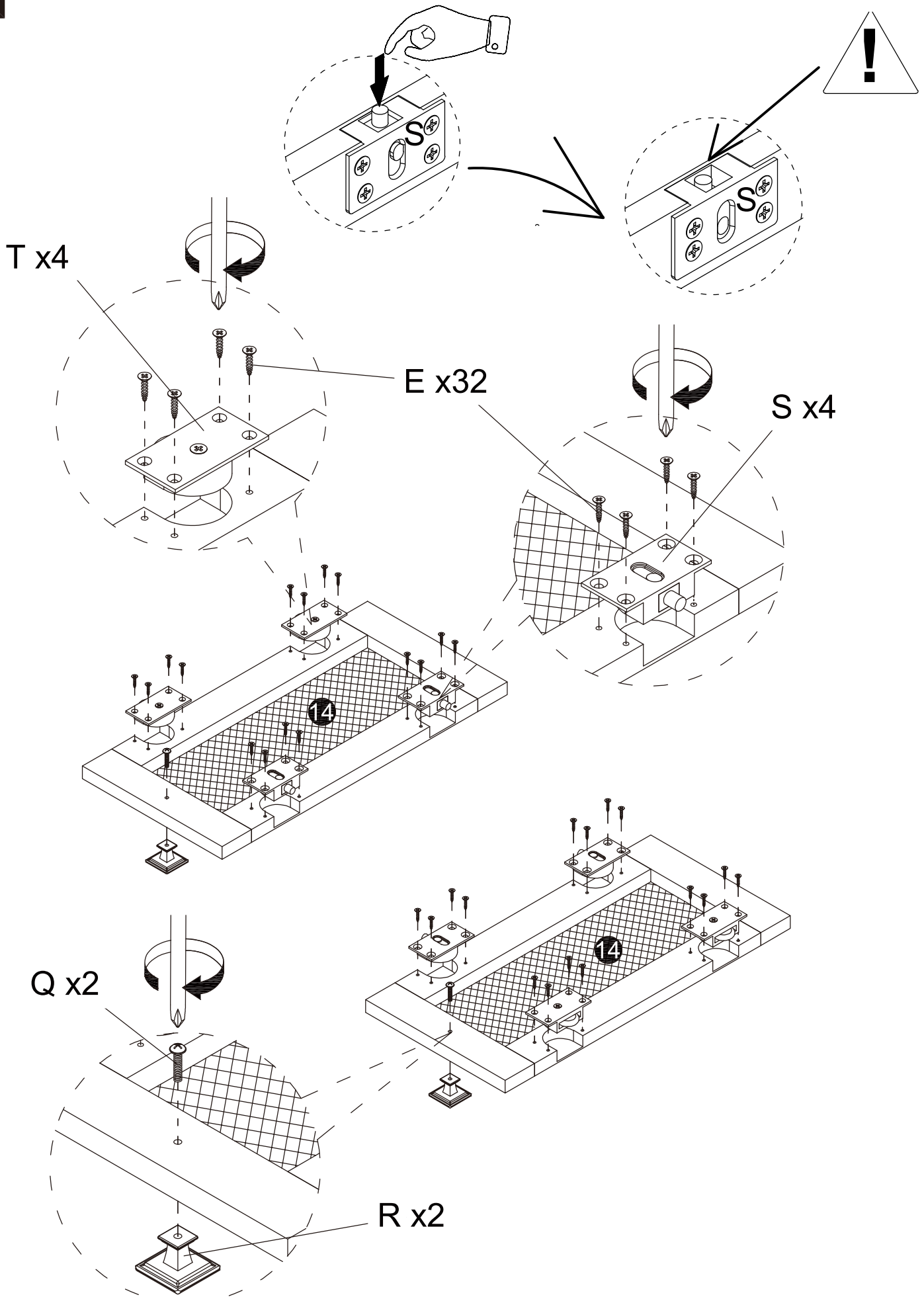




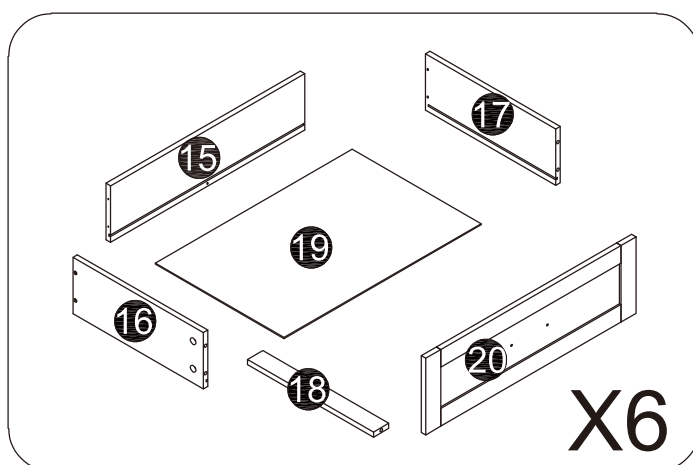
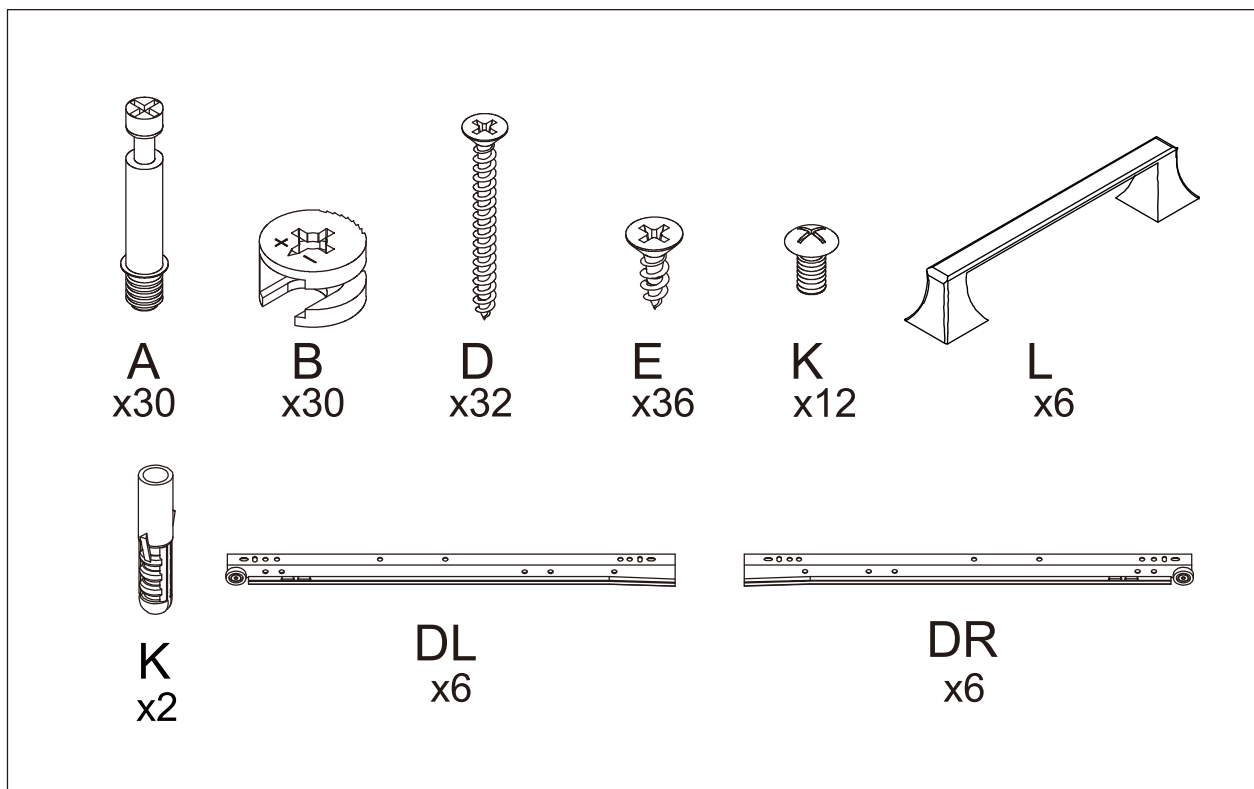




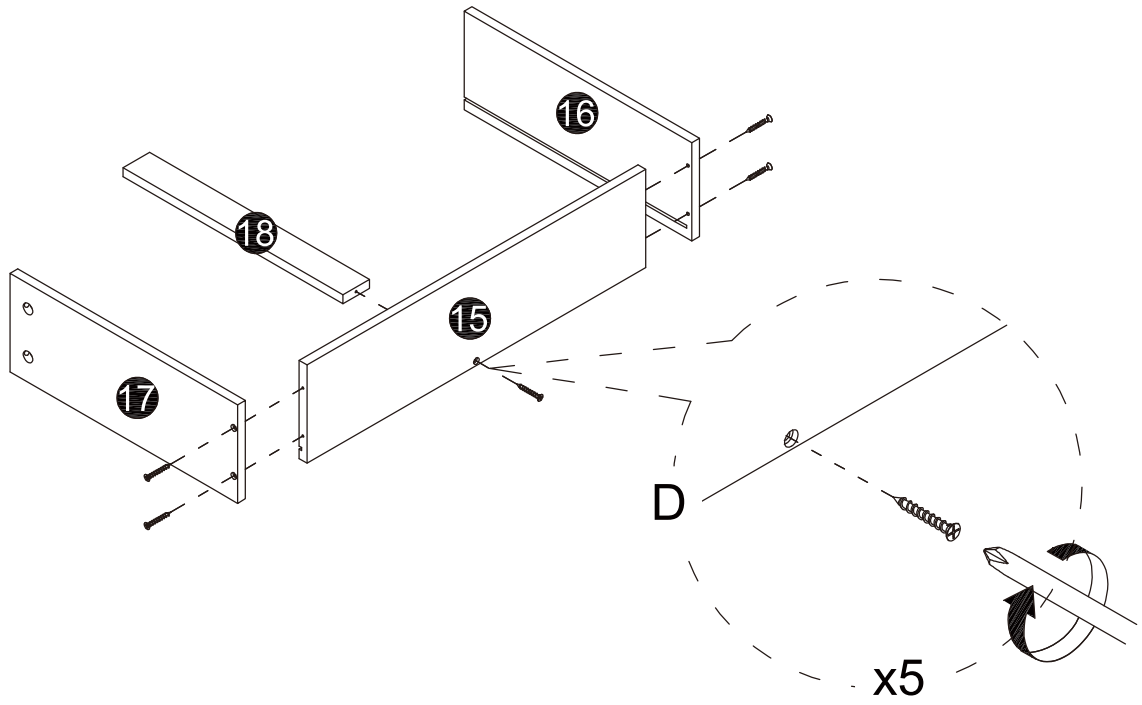




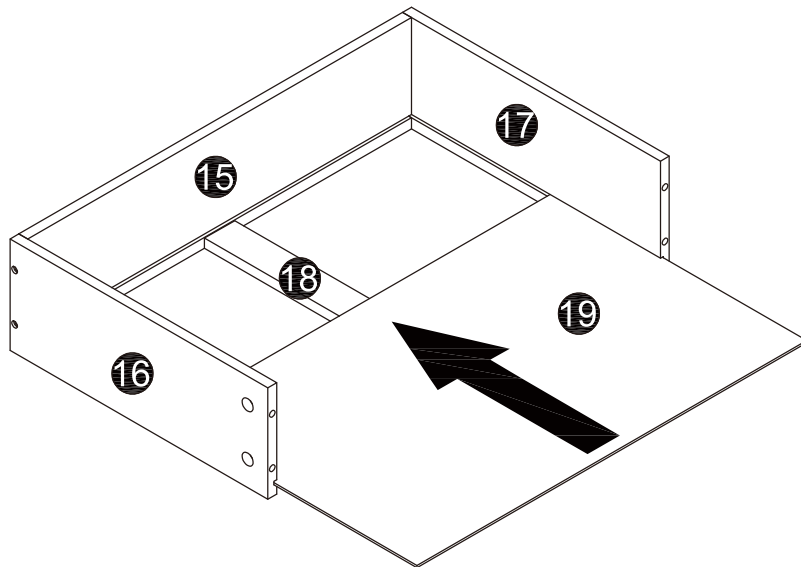
Drawer



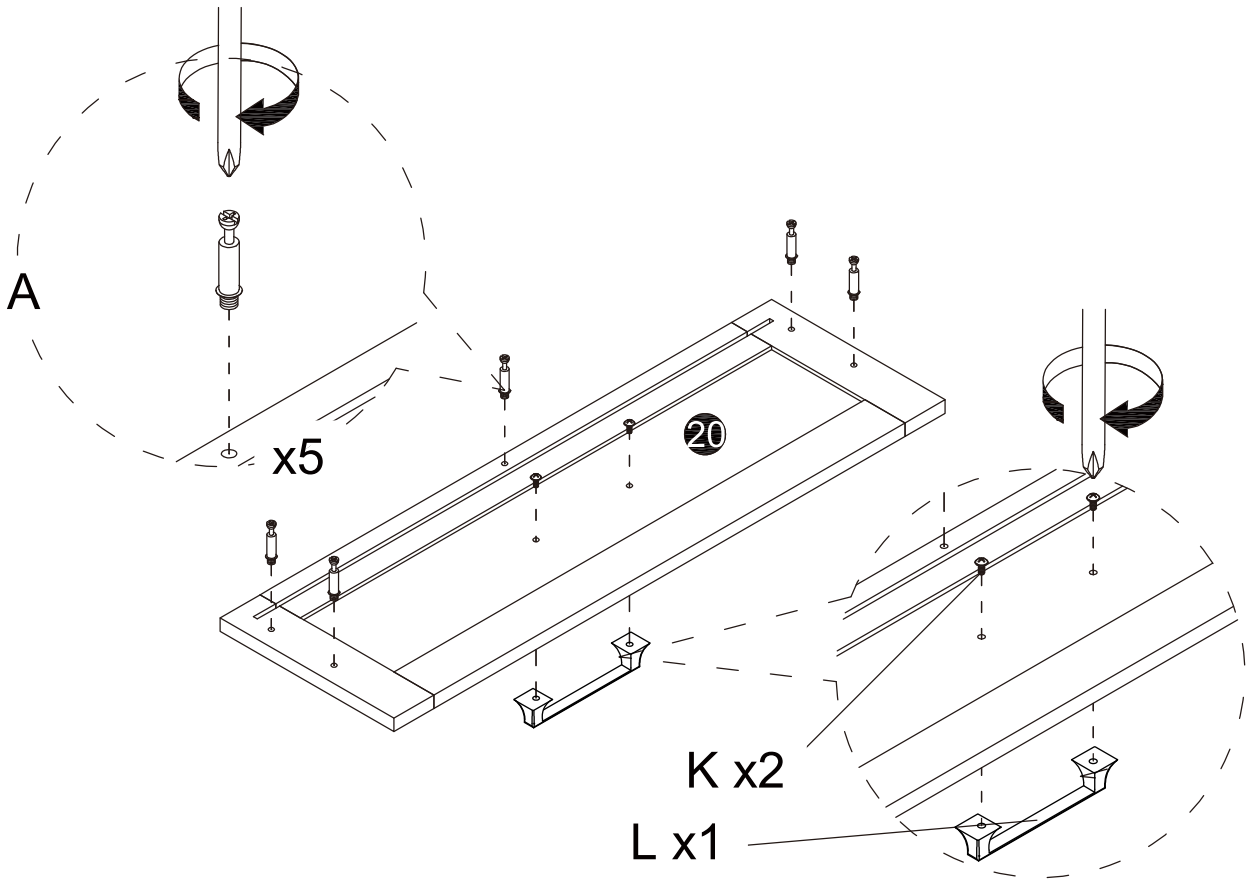
26 X6



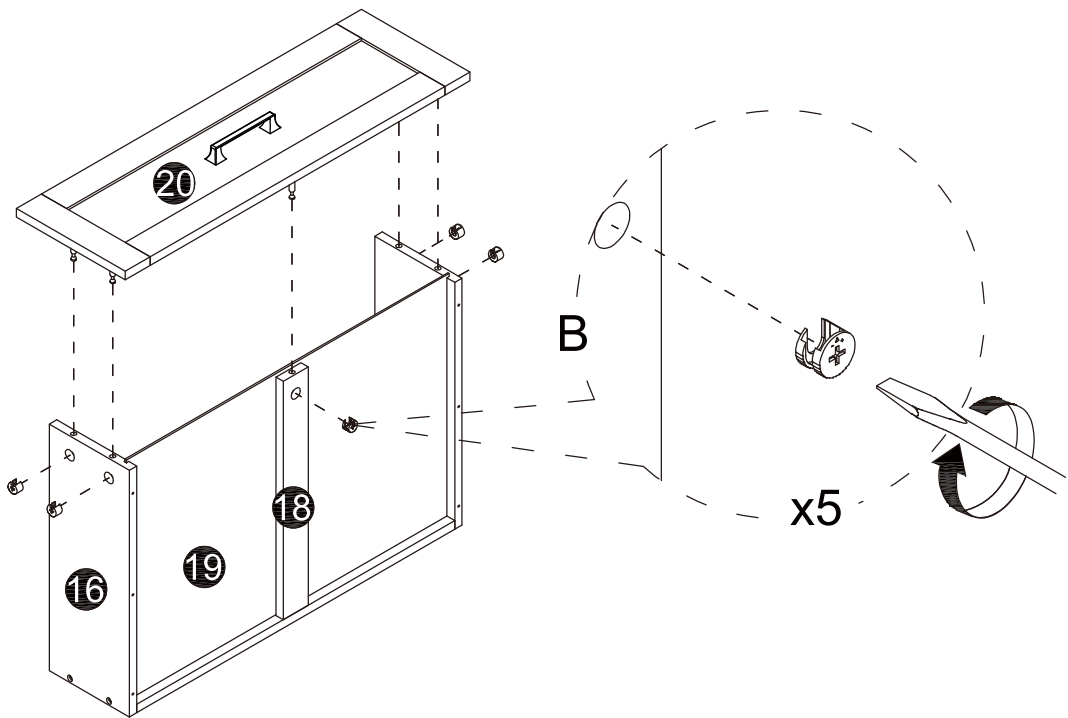
27 X6

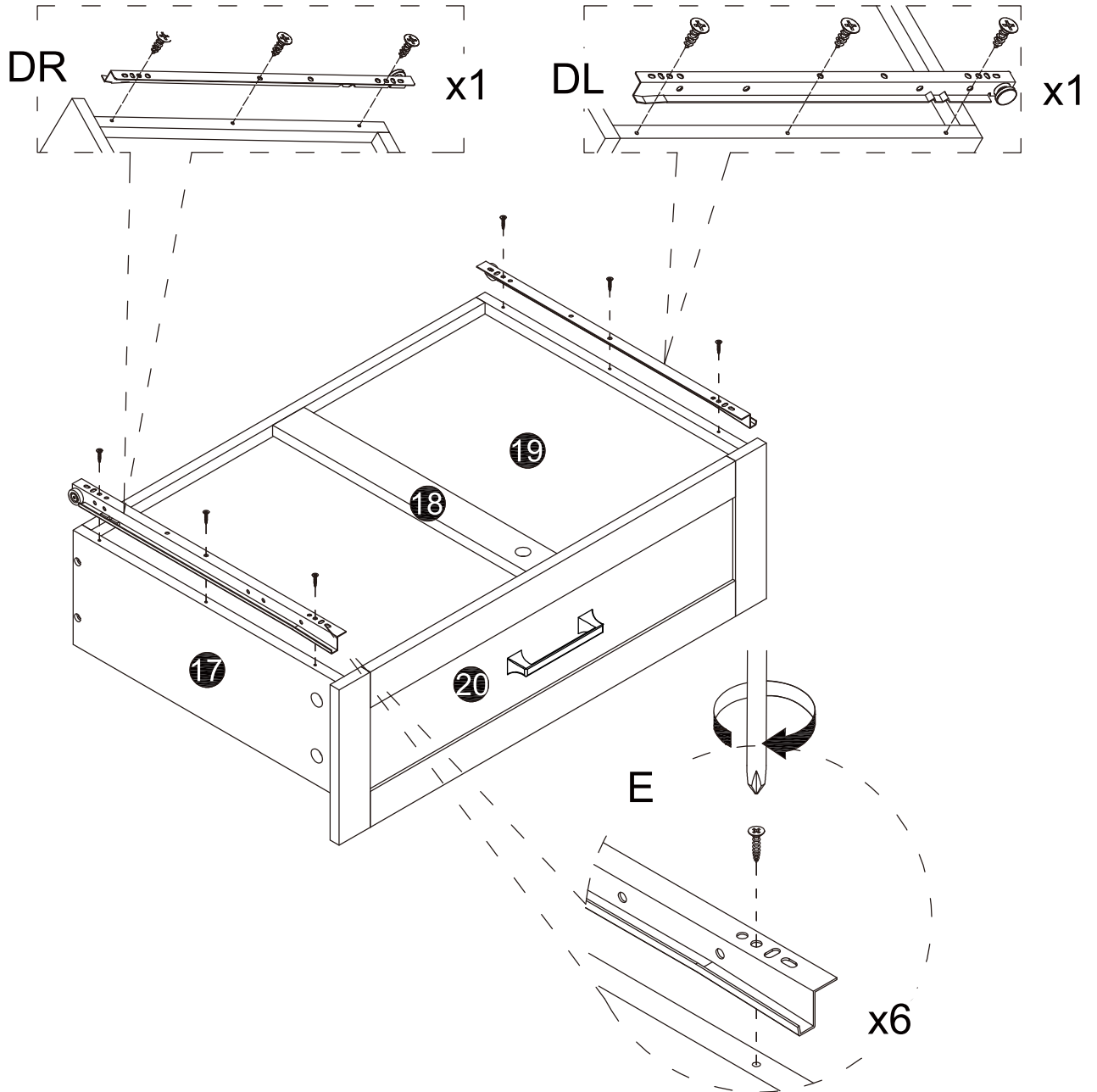


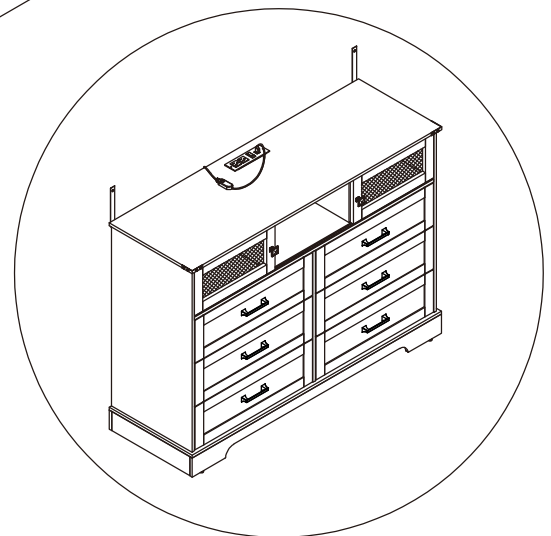
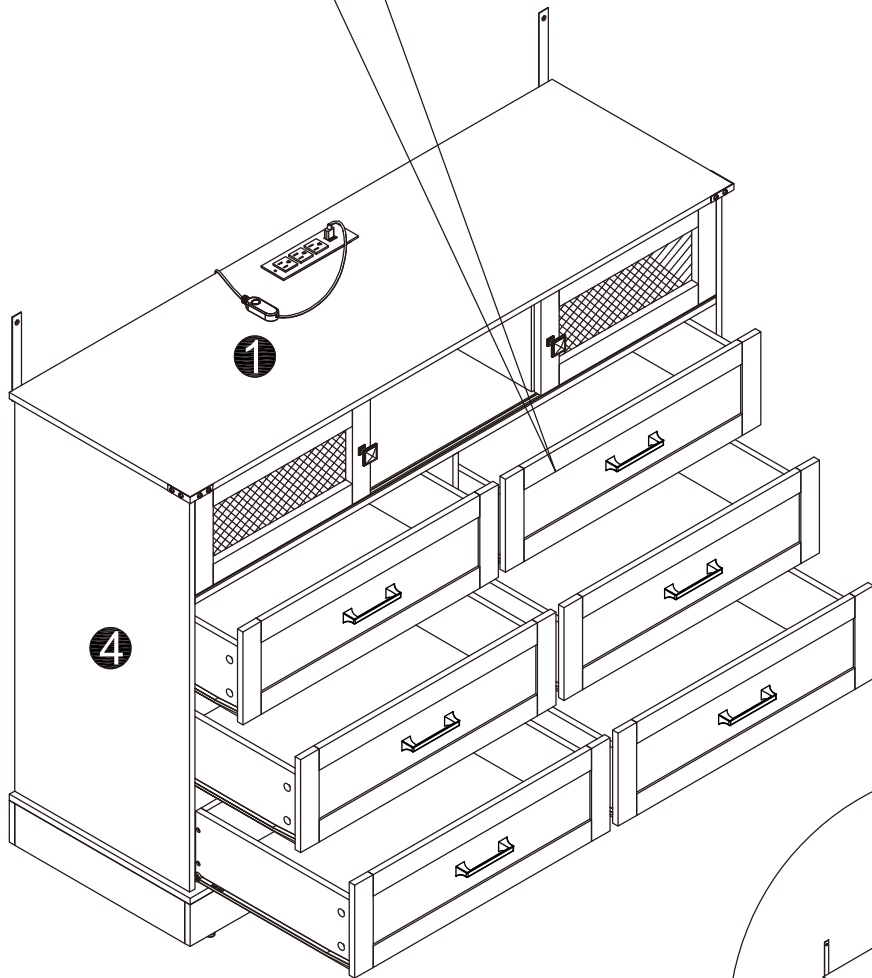
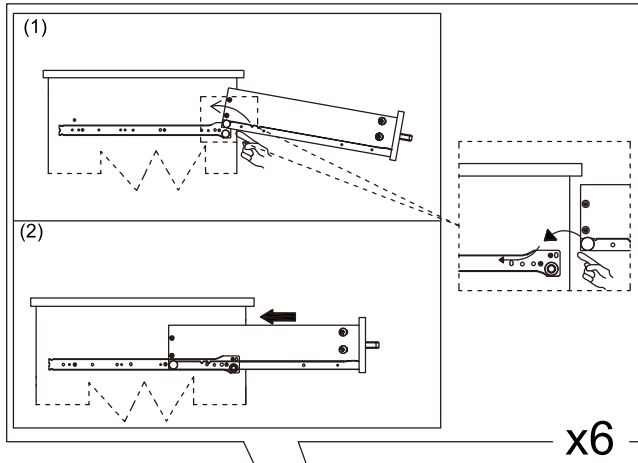
28 X6

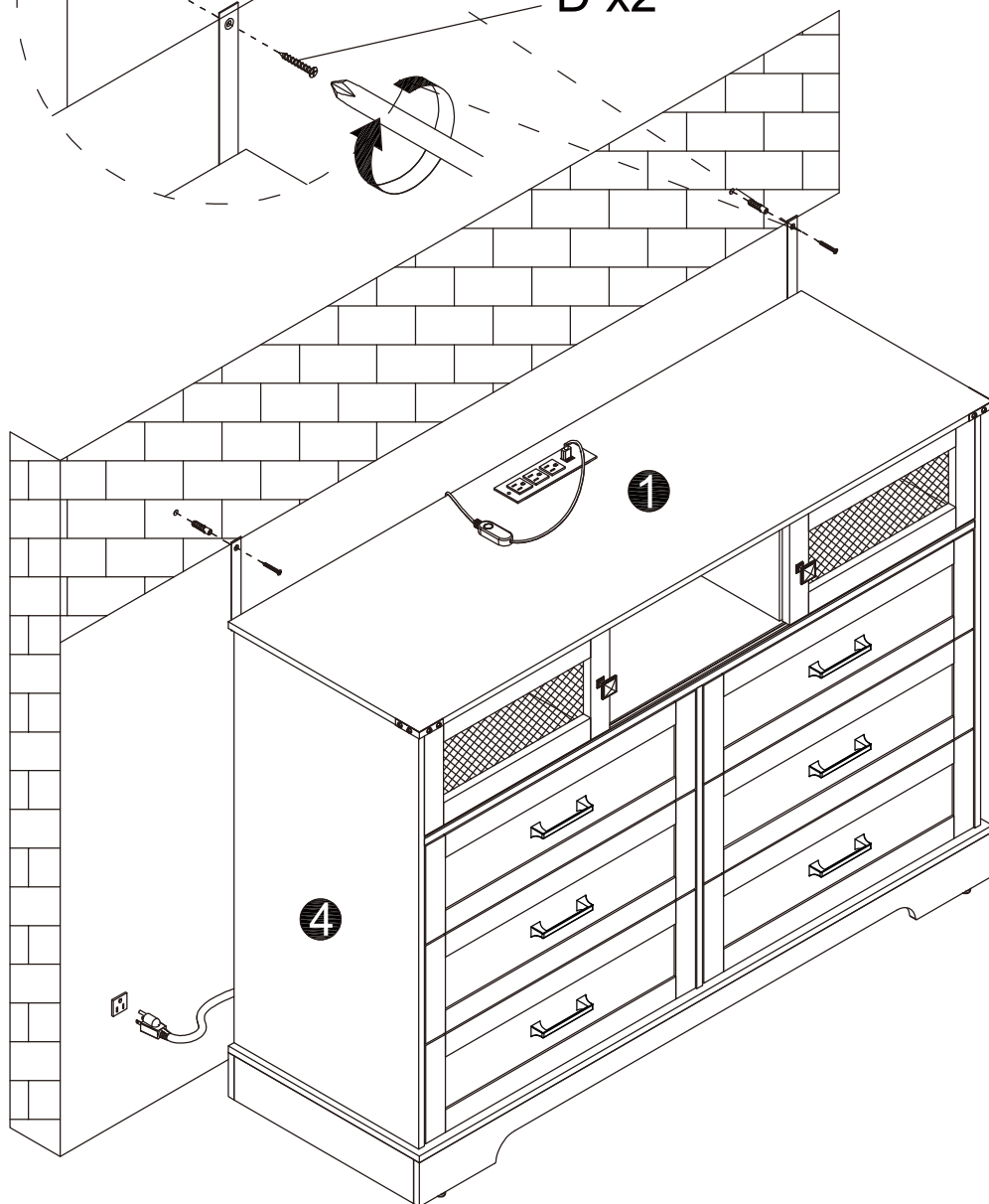
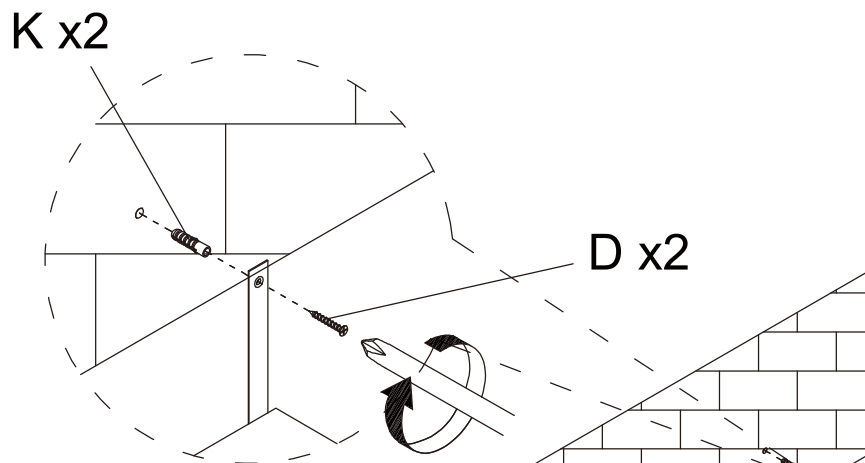
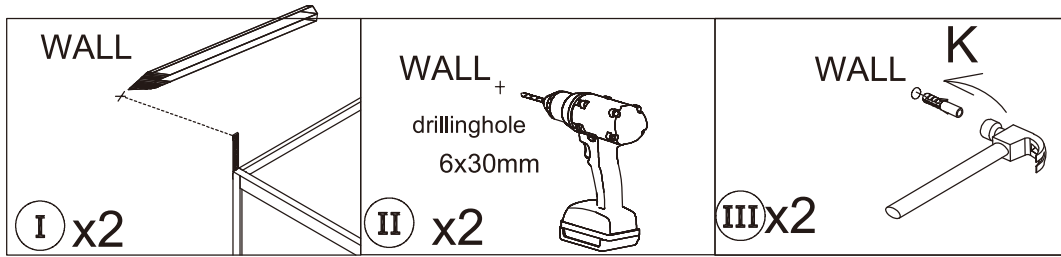


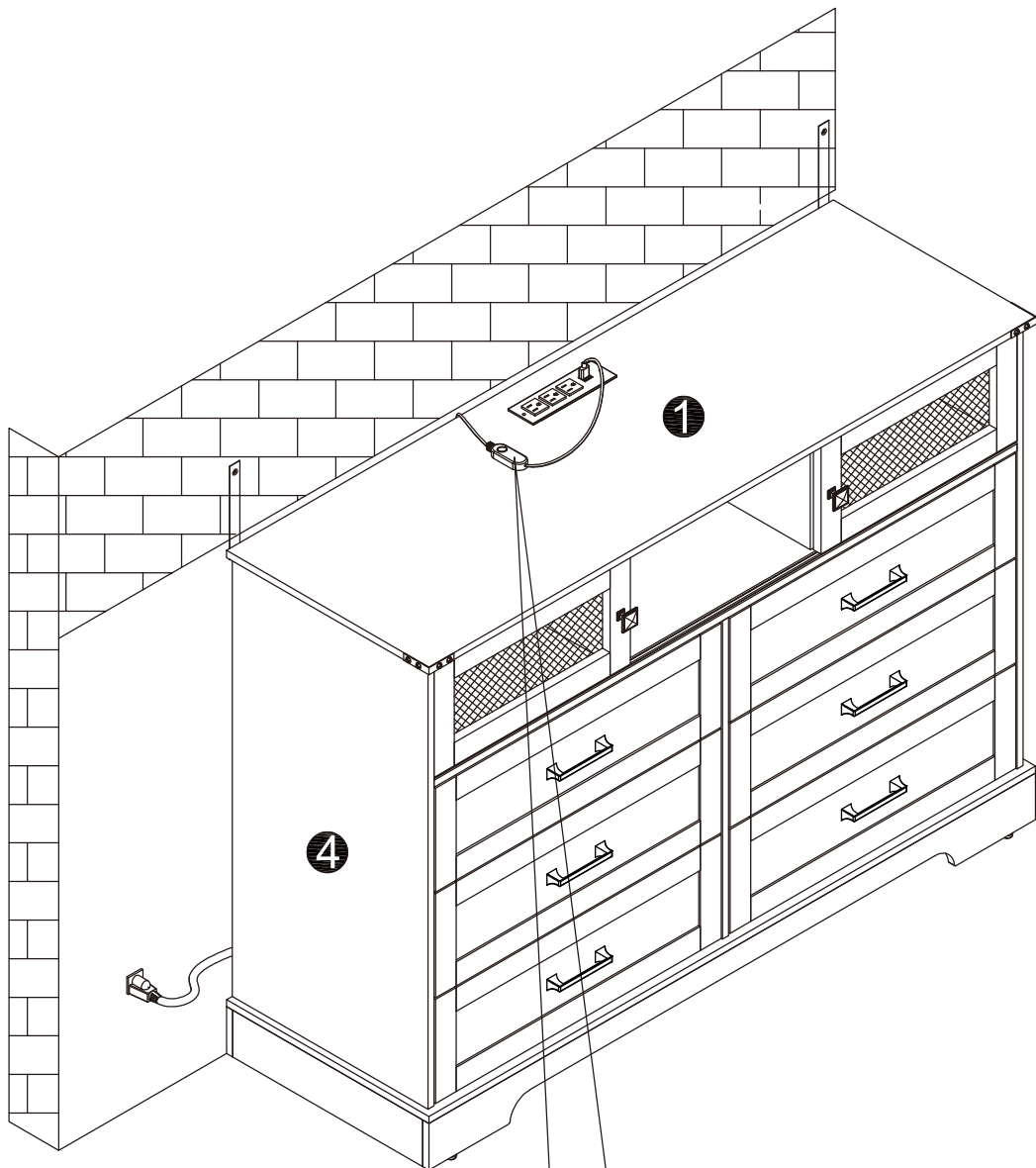
29 X6











Scan qr code to download APP
Bluetooth control

OR

Flip to the other side for
key control

P

A diagram of a remote control device. On the left side, there is a QR code. On the right side, there is a key symbol. The device is connected to a cable. The letter 'P' is positioned to the left of the device. Dashed lines indicate the internal components of the device.