

ASSEMBLY INSTRUCTIONS

A 2 PCS



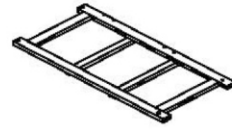
B 1 PC



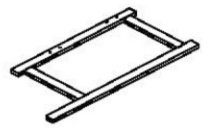
C 2 PCS



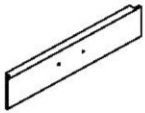
D 1 PC



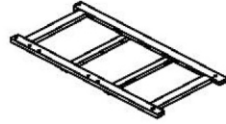
E 1 PC



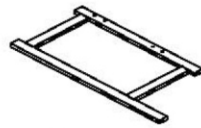
F 1 PC



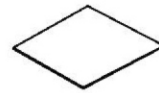
G 1 PC



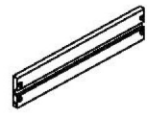
H 1 PC



I 1 PC



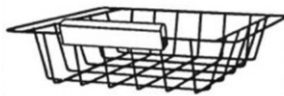
S 2PCS



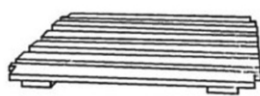
T 1PC



J 2 PCS



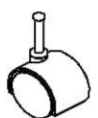
K 1 PC



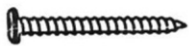
O 2PCS



P 4PCS



M 8 PCS



Ø 5x40mm

N 32PCS



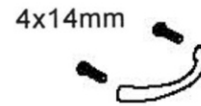
Ø 3X12mm

Q 8 PCS



Ø 3X25mm

Q 1 SET

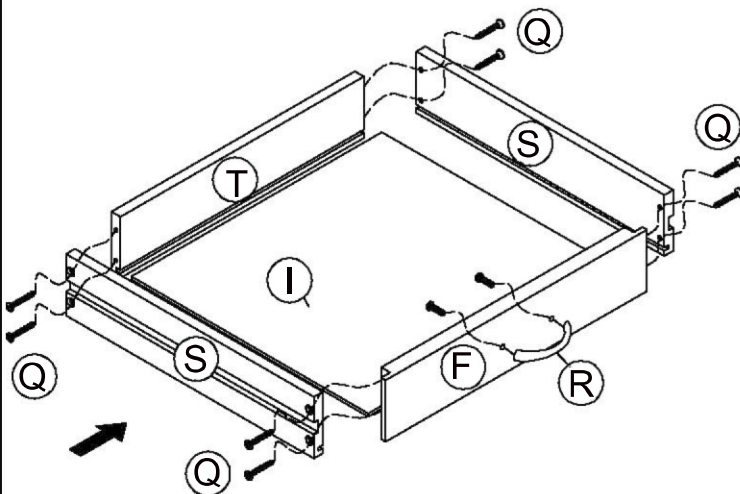


4x14mm

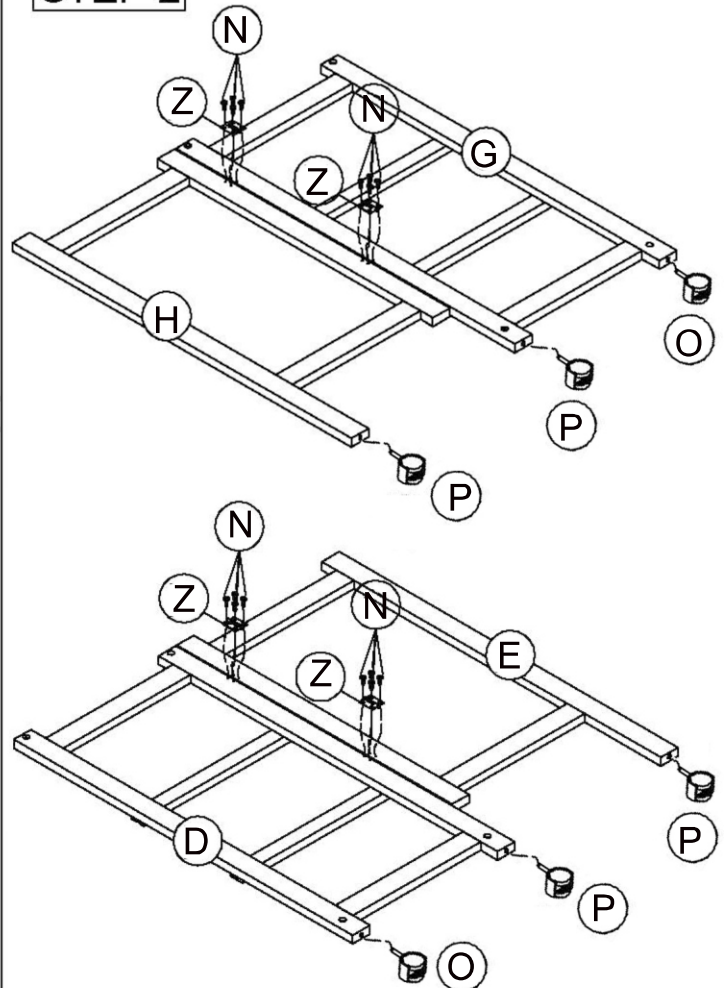
Z 8PCS



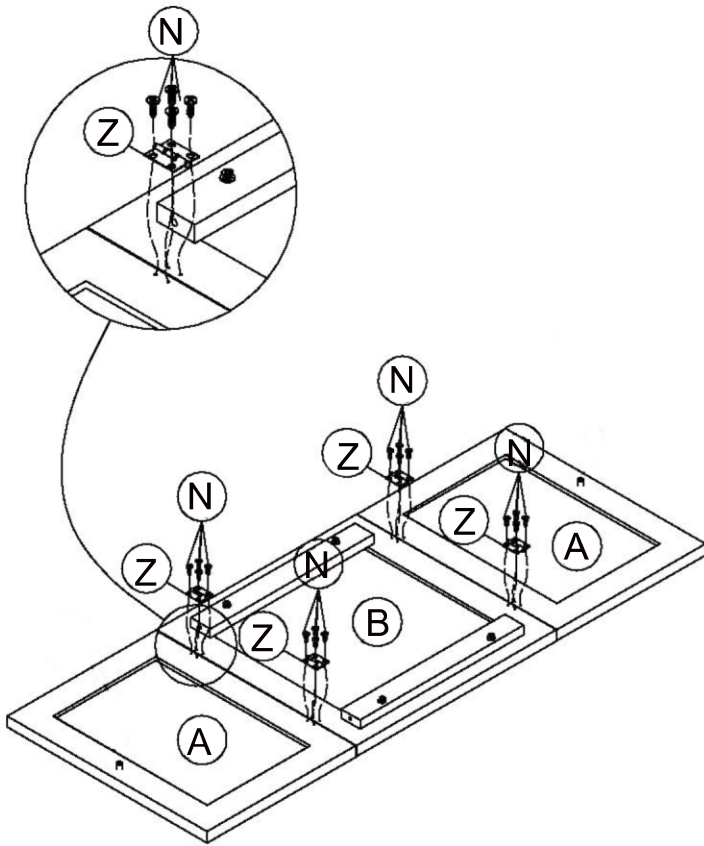
STEP 1



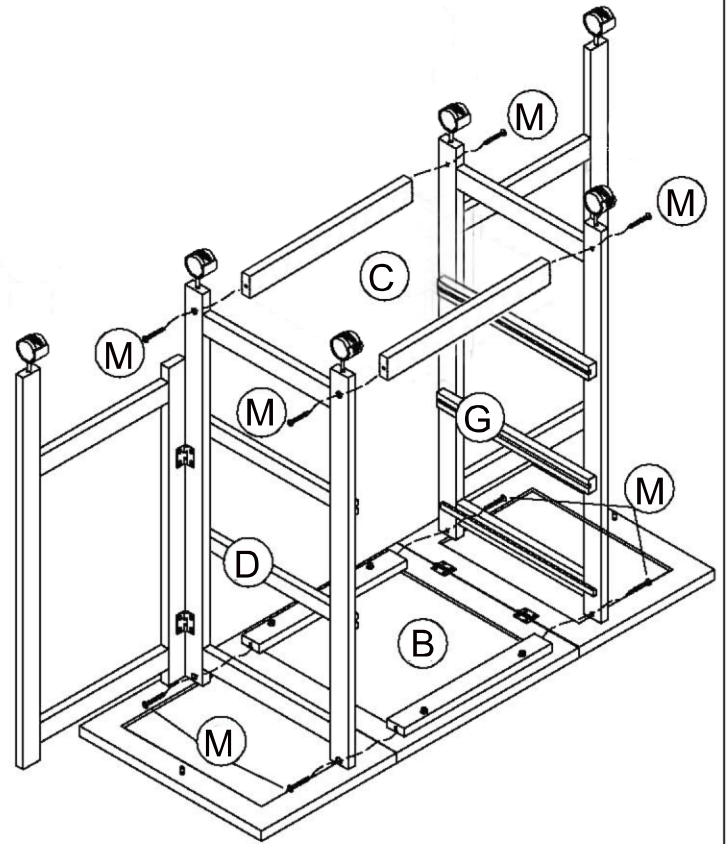
STEP 2



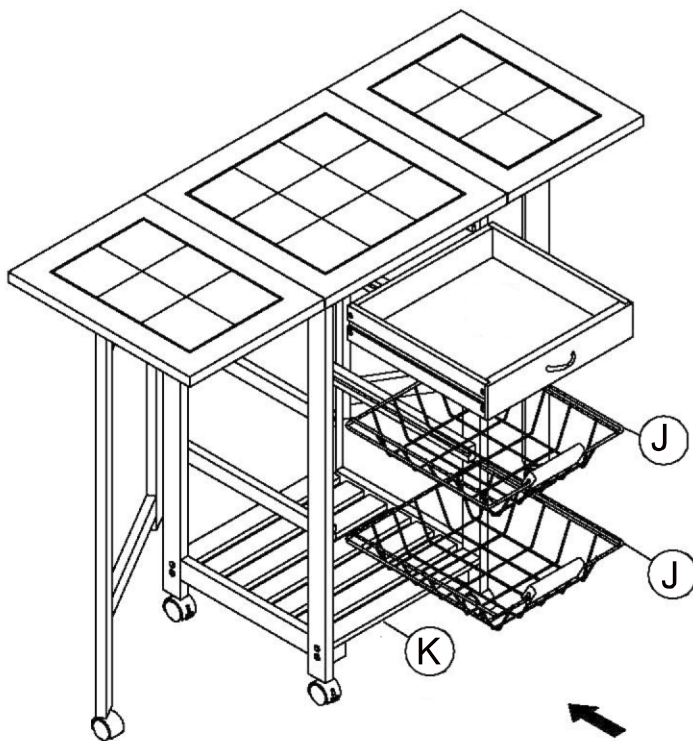
STEP 3



STEP 4



STEP 5



STEP 6

