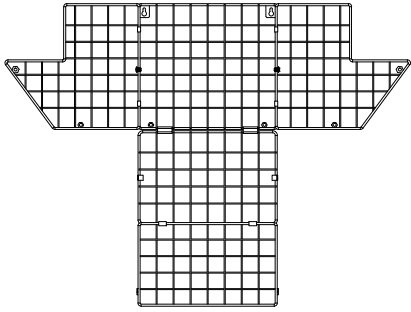
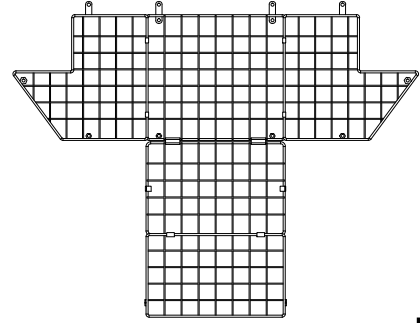


# Metal Wire Basket Assemble Instructions

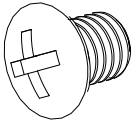
## Accessories include



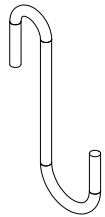
A\*1pcs



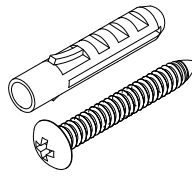
B\*2pcs



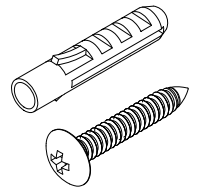
① M6\*12(14+2pcs)



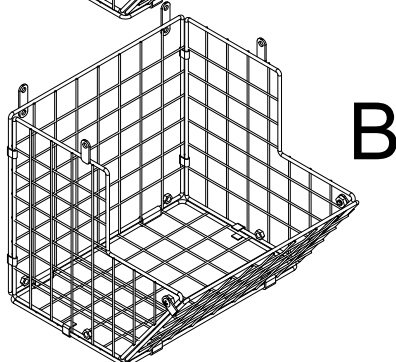
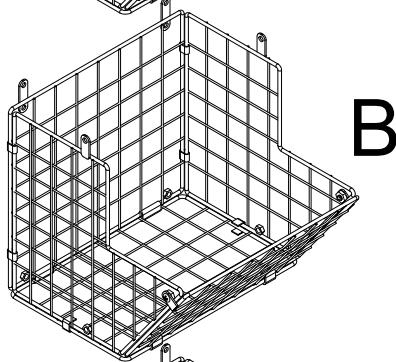
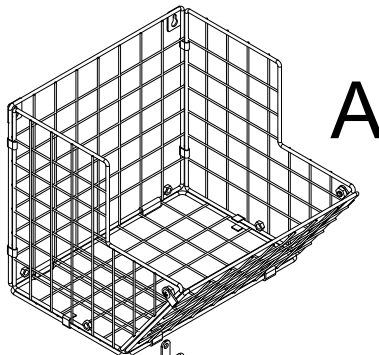
②\*5pcs



③ M4\*30(2+1pcs)

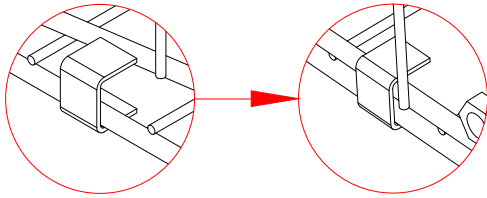
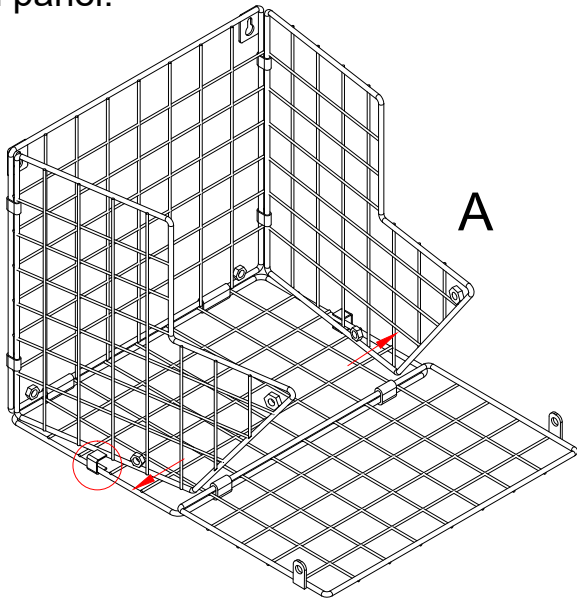


④ M4\*25(6+2pcs)

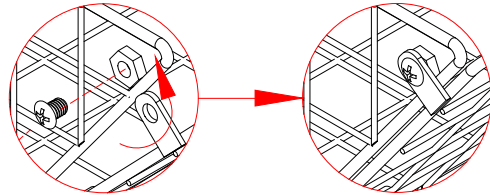
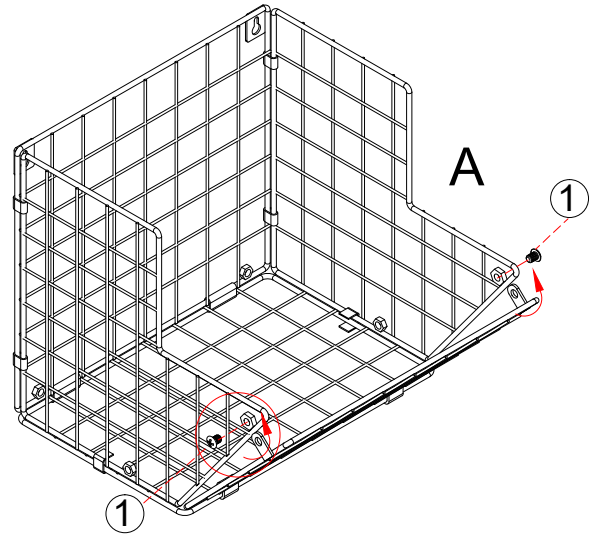


# Accessories include

1. As shown in the figure, open the basket A and set it in the right position, and then the two side panels will snap into the clips of the bottom panel.

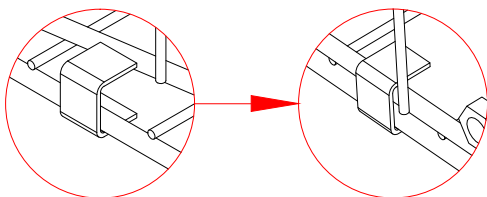
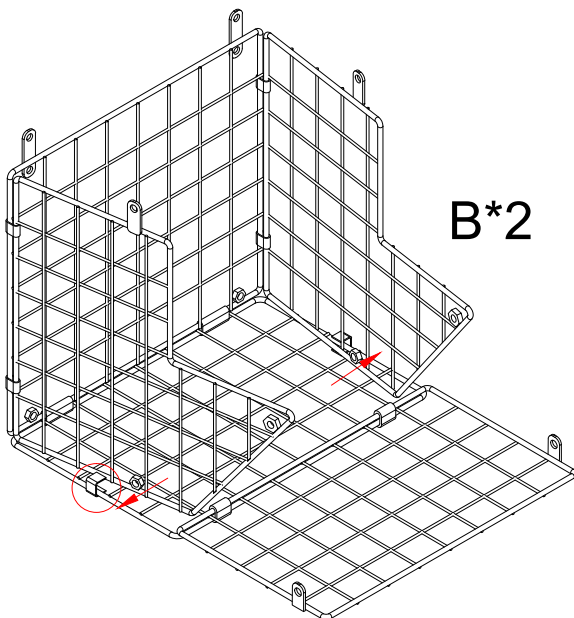


2. Align the fixing tabs of the front panel with the nuts on the side panels, and then lock the two sides with screws ①.

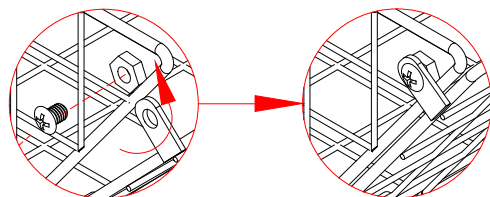
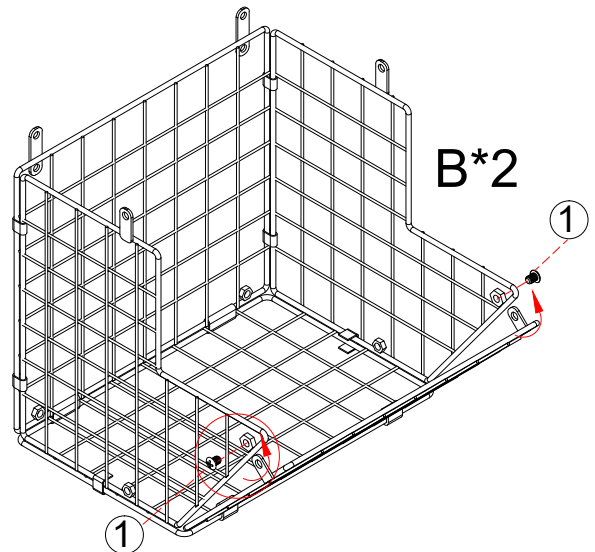


① x2

3. As shown in the figure, open the basket B and set it in the right position, and then the two side panels will snap into the clips of the bottom panel.

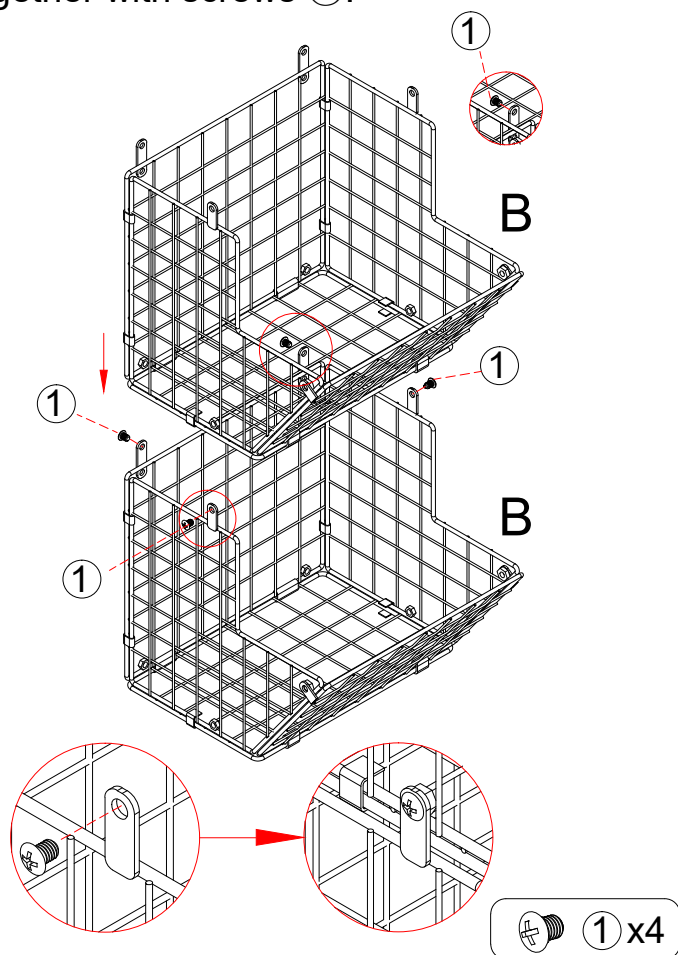


4. Align the fixing tabs of the front panel with the nuts on the side panels, and then lock the two sides with screws ①.

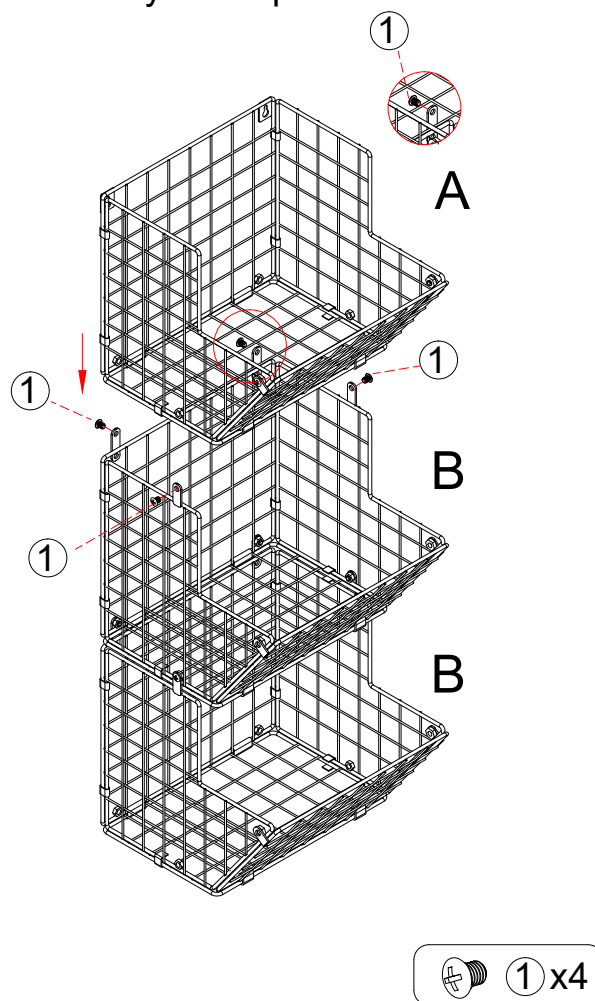


① x2

5. Place any one of the baskets B on the bottom, and then fasten the other basket B together with screws ①.

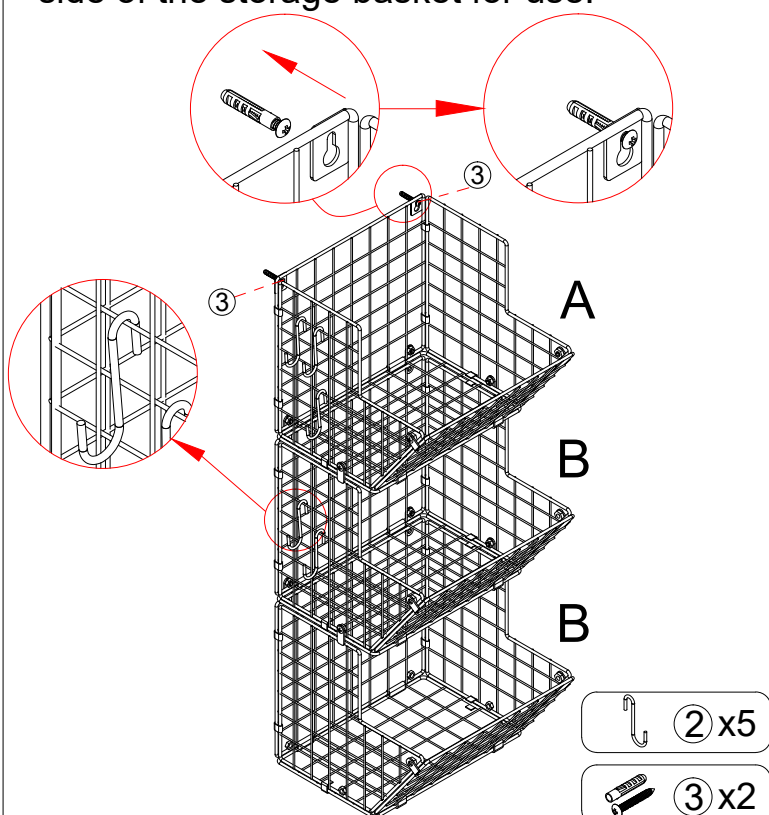


6. Fix the basket A combination with screws ① in the same way as step 5.



7. Usage 1 (Overall wall mounted installation): Install the long screws ③ and by fixing the rubber stopper on the wall, the storage basket can be hung.

The S-shaped hook ② can be hung on the side of the storage basket for use.



8. Usage 2 (Separate for wall hanging):

Connect the short screws ④ and rubber plugs fix each basket separately to the wall. The S-shaped hook ② can be hung on the side of the storage basket for use.

