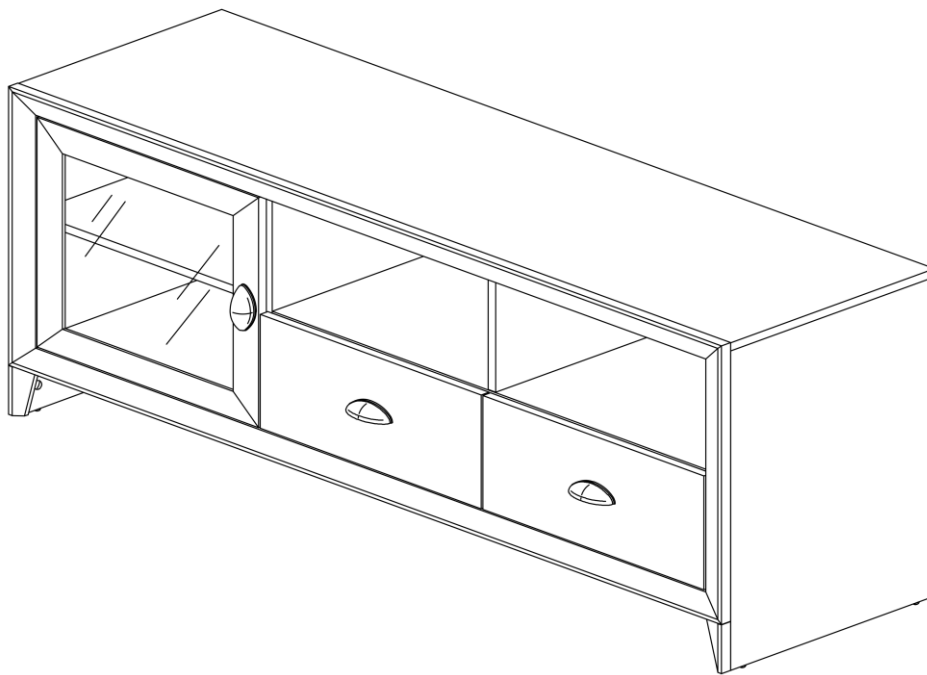




## MODEL RTA-8807

### ASSEMBLY INSTRUCTIONS

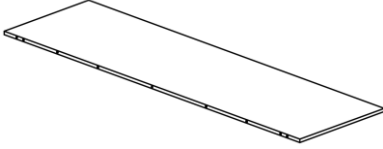
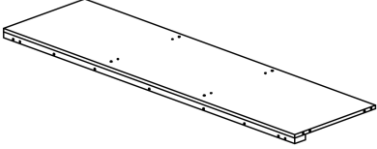
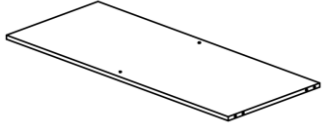
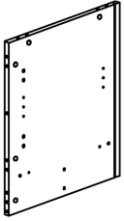

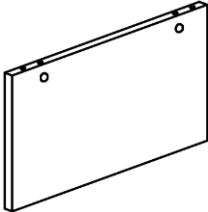
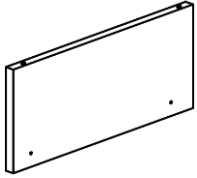
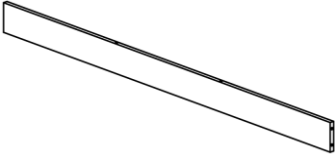




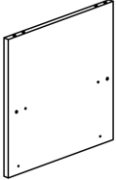
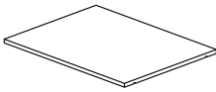
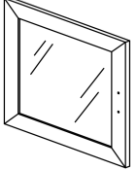
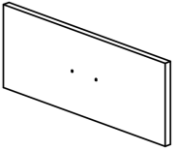
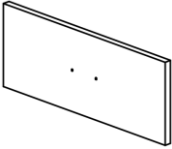
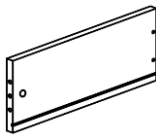

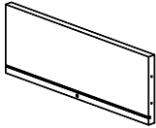

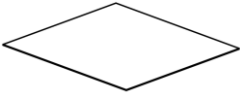
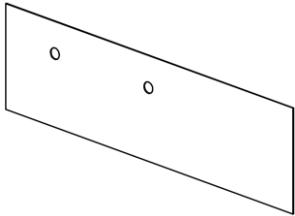
Thank you for purchasing one of our products.  
Please read carefully the assembly instructions before the installation.  
Do not discard this manual or any of the packaging material until the unit  
has been completely assembled.



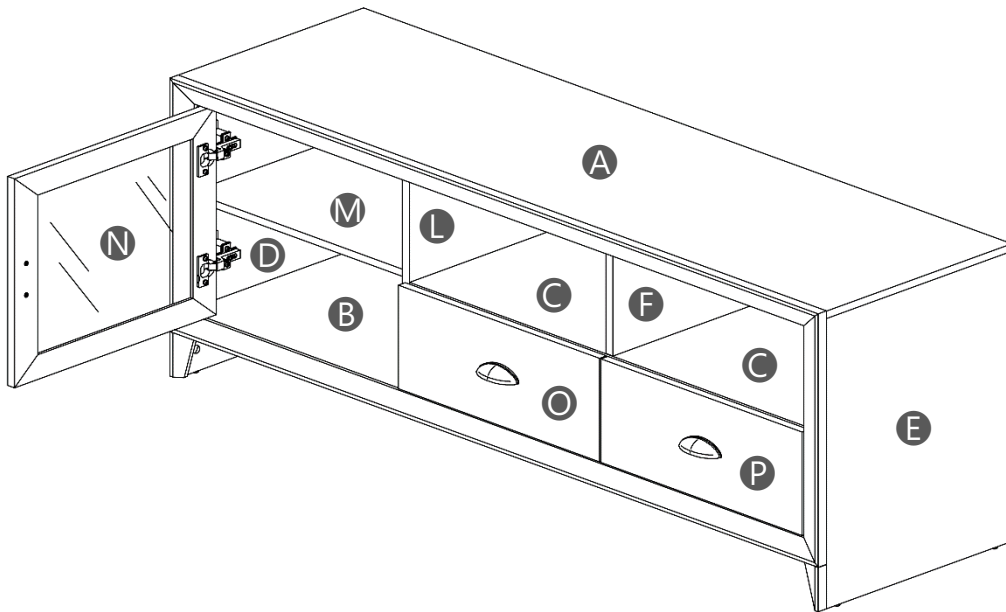
Imported By




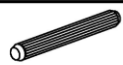









MAIN PARTS LIST

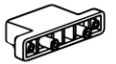


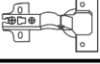
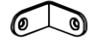

<p><b>A</b> Main panel x1</p> 	<p><b>B</b> Bottom panel x1</p> 	<p><b>C</b> Middle shelf x1</p> 		
<p><b>D</b> Left panel x1</p> 	<p><b>E</b> Right panel x1</p> 	<p><b>F</b> Upper divider panel x1</p> 	<p><b>G</b> Lower divider panel x1</p> 	
<p><b>H</b> Bottom crossbar x1</p> 	<p><b>I</b> Left frame leg x1</p> 	<p><b>J</b> Right frame leg x1</p> 	<p><b>K1</b> Top/Bottom frame x2</p> 	
<p><b>K2</b> Side frame x2</p> 	<p><b>L</b> Middle panel x1</p> 	<p><b>M</b> Adjustable panel x1</p> 	<p><b>N</b> Glass door x1</p> 	<p><b>O</b> Left drawer front panel x1</p> 
<p><b>P</b> Right drawer front panel x1</p> 	<p><b>Q</b> Drawer left panel x2</p> 	<p><b>R</b> Drawer right panel x2</p> 	<p><b>S</b> Drawer back panel x2</p> 	<p><b>T</b> Drawer support bar x2</p> 
<p><b>U</b> Drawer bottom panel x2</p> 	<p><b>V</b> Back panel x1</p> 			

## MAIN PARTS LAYOUT (FOR REFERENCE):



## HARDWARELIST:

PART	QTY	ITEM	
1	52Pcs	Wooden Pin	
2	2Pcs	Wooden Pin	
3	8Pcs	Screw - 5 x 8mm (Euro Screw)	
4	20Pcs	Screw 3.5 x 15mm	
5	10Pcs	Screw 4 x 38mm	
6	4Pcs	Screw 5 x 38mm	
7	8Pcs	Screw TP 10#x1/2"	
8	20Pcs	Nail	
9	38Sets	Cam Lock & Bolt Sets	
10	10Pcs	Plastic Cap	
11	4Pcs	Metal Pin	

PART	QTY	ITEM	
12	4Pcs	Plastic Base	
13	3Sets	Handle Set	
14	5Pcs	Nail-in Glides	
15	2Sets	Door Hinge	
16	2Pcs	L Bracket	
17	2Sets	Metal Sliders, Set of 4 pcs for 1 drawer	

## Notes:

- The sliders 17 come packaged separate from the rest of the hardware.
- You will need a screwdriver and mallet/hammer (not included) for the assembly.

☛ This unit uses cam bolts and locks. The following explains how to use them. This is not an assembly step; it is a guide for when you are actually doing the assembly using this kind of hardware.

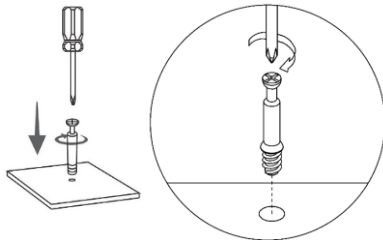
Cam Bolt



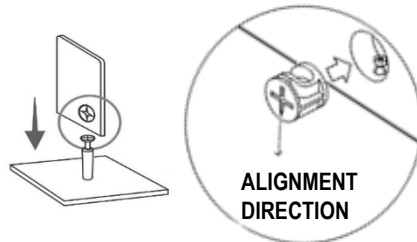
Cam Lock



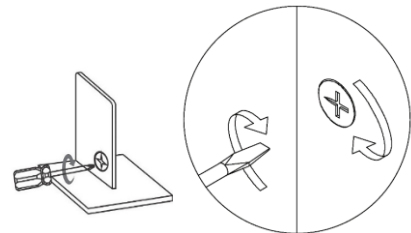
1. Screw the bolt into the corresponding panel.



2. In the other panel, insert the cam lock and align it so it can properly receive the bolt, then join both panels (the cam locks might come pre-installed in this unit).



3. The panels might have a very small gap which is normal; turn the cam lock clockwise to lock the parts together and the gap will also close.



#### BEFORE YOU START THE ASSEMBLY, PLEASE READ THE FOLLOWING TIPS AND WARNINGS.

- Do a quick inventory to make sure the product contains all the parts and hardware.
- Missing, damaged and defective parts can be replaced at no cost to you. Please refer to the CONTACT card included with the product.
- The replacement parts service is limited to the continental United States. If you reside in Hawaii, Puerto Rico, U.S. Dependencies or other countries, please contact the supplier from where the unit was purchased.
- If during assembly you find an issue or need clarification, please contact our Customer Service for assistance. Please refer to the CONTACT card included with the product.
- On each step read the instructions and analyze the illustrations thoroughly before proceeding to do the assembly.
- Make sure you understand which hardware will be used on each step. Using the wrong size of screw, bolt or pin might strip the threads or cause damage to the part in which it is being used.
- To avoid misalignments, always leave the screws loose and tighten them until all pieces are positioned correctly.
- Do not overtighten or force the screws as they might break, strip, damage the threads of the holes or get stuck inside the part.
- Sometimes the laminate might cover partially or entirely the hole on a panel, but the hole should still be located under the laminate.
- If there is no visible hole for the screw, pass and press the tip of your finger over the area where the hole should be located to feel the indentation, and once found, carefully pierce the laminate to reveal the hole underneath.
- If the hole seems too small for the screw, first make sure you are using the correct size of screw and that it's been installed in the correct hole. If the hole still appears to be too small, carefully pierce the laminate to reveal the hole's actual size.

ASSEMBLY STEPS

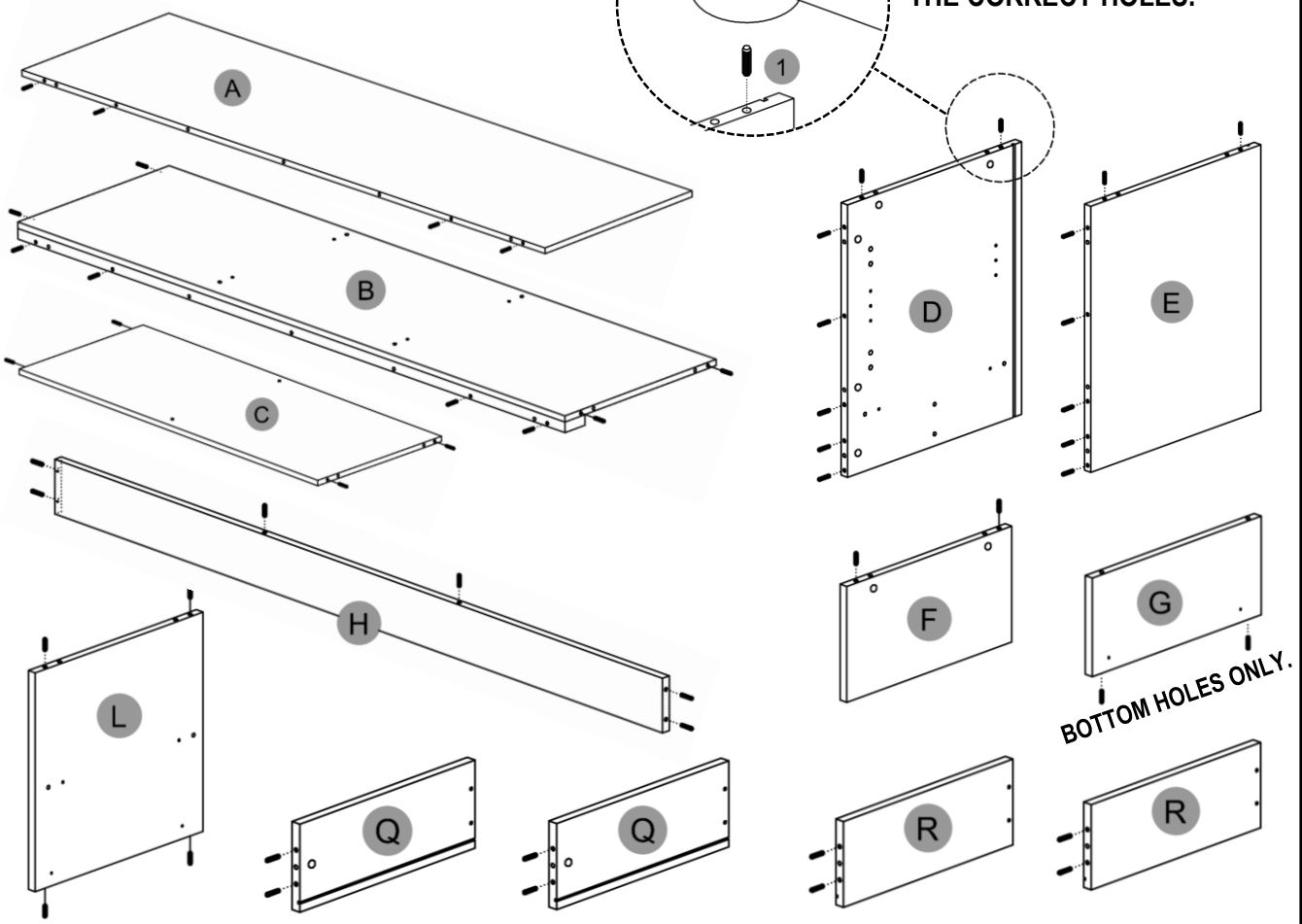
STEP 1

Install the wooden pins ① into the panels A, B, C, D, E, F, G, H, L, Q and R in the corresponding holes as shown in the illustrations, but make sure to use the correct holes as some are intended for other kind of hardware in subsequent steps.

Hardware:

1

Short Pins 52 Pcs



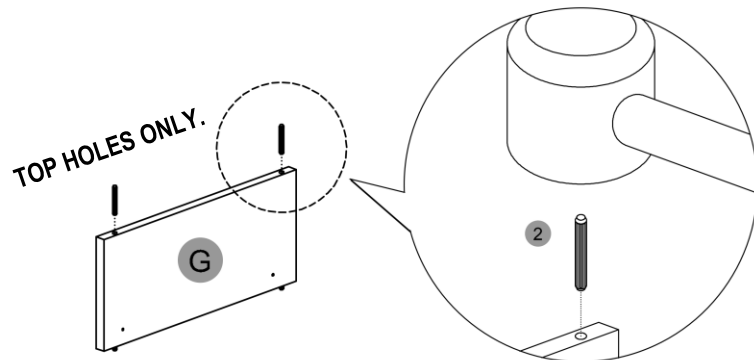
STEP 2

Insert the wooden pins ② into the top holes of panel G as shown.

Hardware:

2

Long Pins 2 Pcs

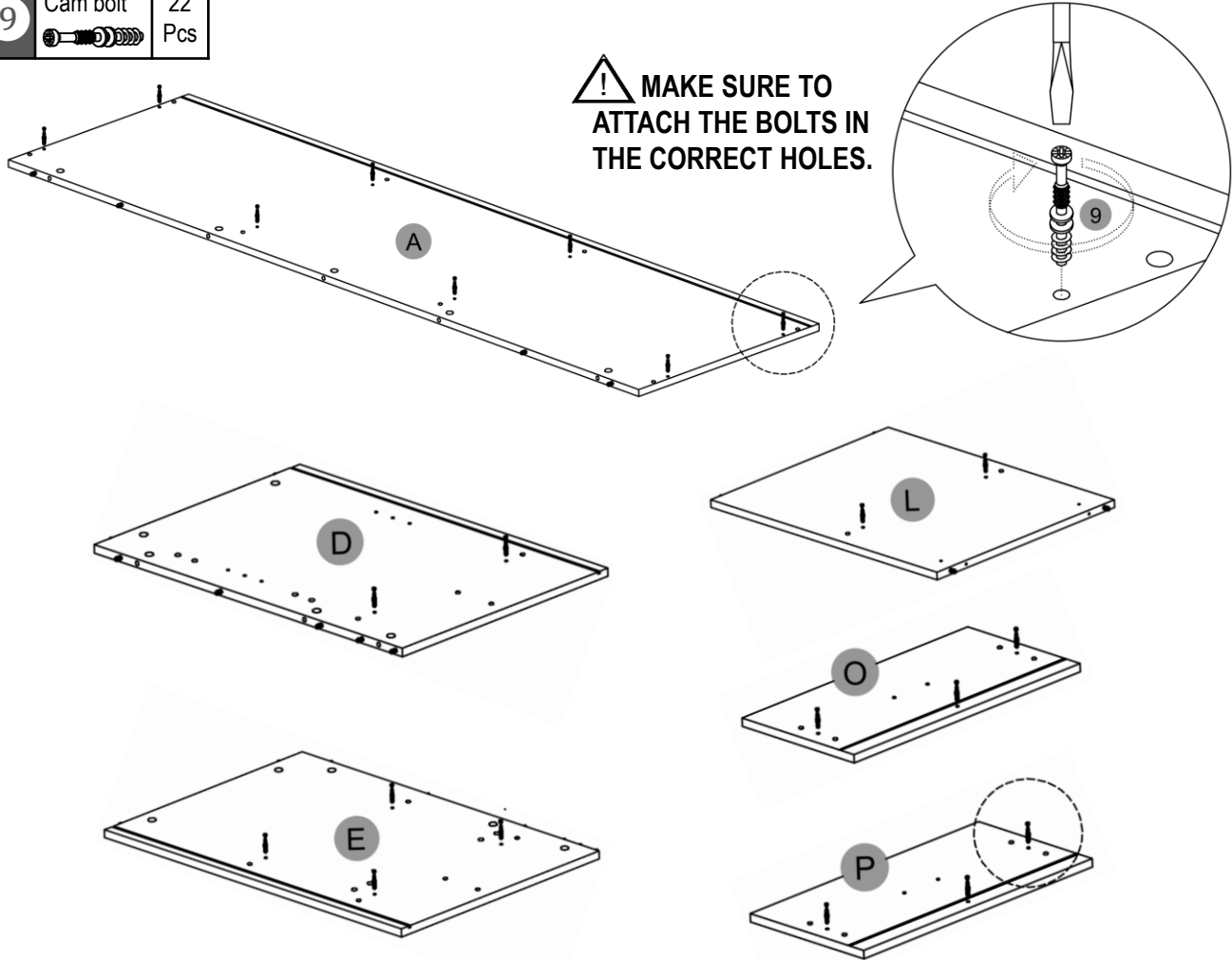


**STEP 3**

Attach the cam bolts ⑨ to the corresponding holes on the panels ①, ④, ⑤, ⑧, ⑩ and ⑫ as shown, but make sure to use the correct holes as some are intended for other kind of hardware in subsequent steps.

**Hardware:**

⑨	Cam bolt	22 Pcs
---	----------	--------

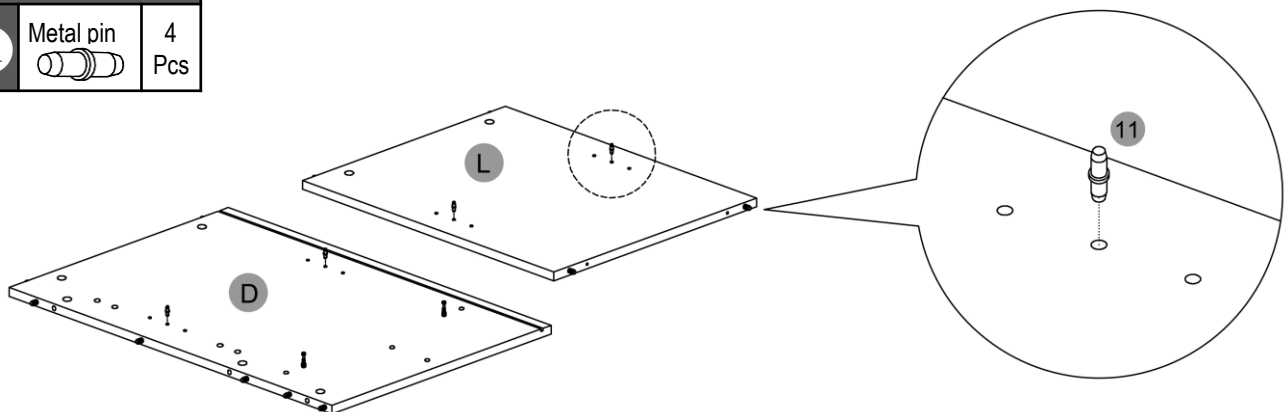


**STEP 4**

Insert the metal pins ⑪ into the corresponding holes on the panels ④ and ⑧ as shown. You can adjust the height for the shelves later on step 26.

**Hardware:**

⑪	Metal pin	4 Pcs
---	-----------	-------



<b>STEP 5</b>	Use screws ④ to assemble the plastic bases ⑫ to the panels ① and ②.				
<b>Hardware:</b>					
④	<table border="1" style="width: 100%; border-collapse: collapse;"> <tr> <td style="width: 30%;">3.5x15mm</td> <td style="width: 30%; text-align: center;">8</td> </tr> <tr> <td style="text-align: center;"></td> <td style="text-align: center;">Pcs</td> </tr> </table>	3.5x15mm	8		Pcs
3.5x15mm	8				
	Pcs				
⑫	<table border="1" style="width: 100%; border-collapse: collapse;"> <tr> <td style="width: 30%;">Base</td> <td style="width: 30%; text-align: center;">4</td> </tr> <tr> <td style="text-align: center;"></td> <td style="text-align: center;">Pcs</td> </tr> </table>	Base	4		Pcs
Base	4				
	Pcs				

(Top)  
(Front)

(Top)  
(Back)

<b>STEP 6</b>	Separate all the sliders pieces ⑰ according to their shape (no assembly is done here): -The "Flat" ones go on the side panels of the unit and will be used on the next step. -The "L" shaped go on the drawers and will be used until step 24, please set them aside.
---------------	---

⑰ "FLAT": Use on next step

⑰ "L shaped": Use until step 20

(2 Sets, total 8 pcs:  
4 flats, 4 L shaped)

<b>STEP 7</b>	Using screws ③, and paying close attention to the orientation of the parts, assemble:				
<b>Screws:</b>					
③	<table border="1" style="width: 100%; border-collapse: collapse;"> <tr> <td style="width: 30%;">5x8mm</td> <td style="width: 30%; text-align: center;">8</td> </tr> <tr> <td style="text-align: center;"></td> <td style="text-align: center;">Pcs</td> </tr> </table>	5x8mm	8		Pcs
5x8mm	8				
	Pcs				
⑰	<table border="1" style="width: 100%; border-collapse: collapse;"> <tr> <td style="width: 30%;">Flat sliders</td> <td style="width: 30%; text-align: center;">2 Left 2 Right</td> </tr> <tr> <td style="text-align: center;"></td> <td></td> </tr> </table>	Flat sliders	2 Left 2 Right		
Flat sliders	2 Left 2 Right				

⑰ Flat, Left  
(Use 2 screws)

⑰ Flat, Right  
(Use 2 screws)

**Attach the sliders on both sides.**

⑰ Flat, Right  
(Use 2 screws)

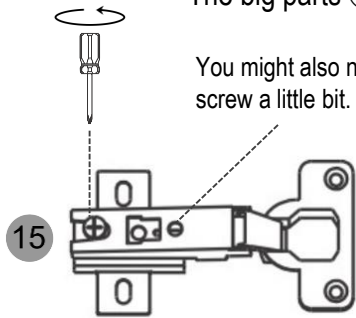
⑰ Flat, Left  
(Use 2 screws)

**ON ALL THE SLIDERS THE WHEEL  
FACES DOWN AND TOWARDS THE FRONT**

**STEP 8**

Loosen the screw indicated in the illustration on the hinges (15) and separate the parts:

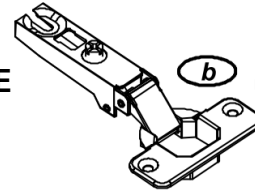
- The small parts (a) will be used on the next step.
- The big parts (b) will be used until step 17, please set them aside.



You might also need to tighten this screw a little bit.



Small parts (a) will be used on next step.



Big parts (b) will be used until step 21.

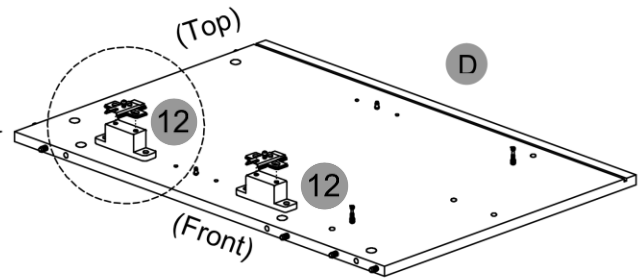
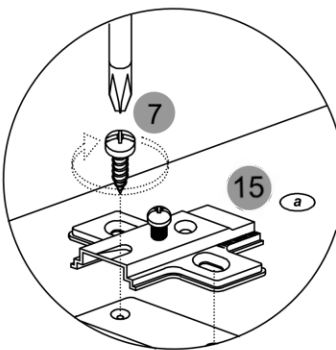
**DO NOT REMOVE THE SCREWS FROM ANY OF THE 2 PARTS.**

**STEP 9**

Assemble the small hinges (15)(a) to the plastic bases (12) on panel (D) using screws (7) as shown.

**Hardware:**

7	10#x1/2"	4 Pcs
15a	Hinge "a"	2 Pcs



**PAY ATTENTION TO THE ORIENTATION OF THE PARTS**

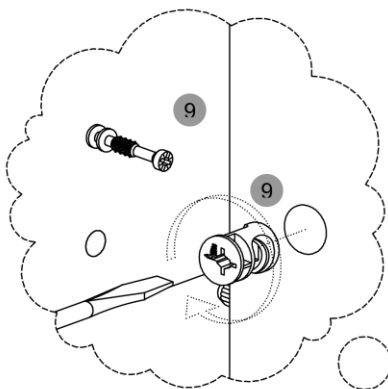
**STEP 10**

- 1<sup>st</sup>: Install and align the cam locks (9) into panel (C) in the locations indicated.
- 2<sup>nd</sup>: Assemble the panel (L) to panel (C) as shown and as explained in page 4.
- 3<sup>rd</sup>: Join the panel (G) to panel (C) as shown (wooden pins enter into the holes).

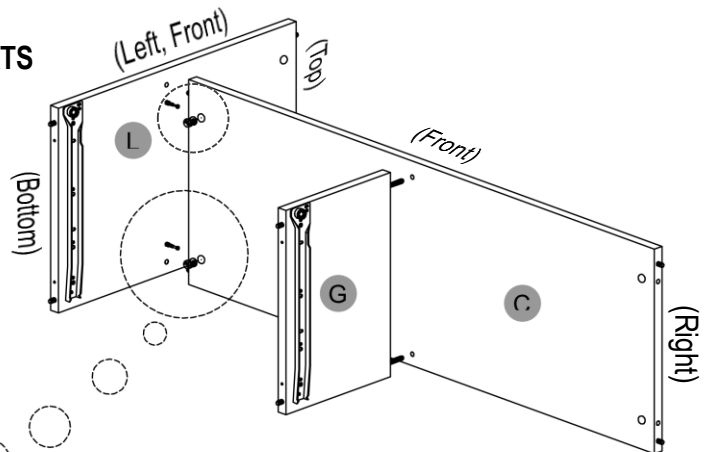
**Hardware:**

9	Cam lock	2 Pcs
---	----------	-------

**PAY ATTENTION TO THE ORIENTATION OF THE PARTS**



**SEE PAGE 4**




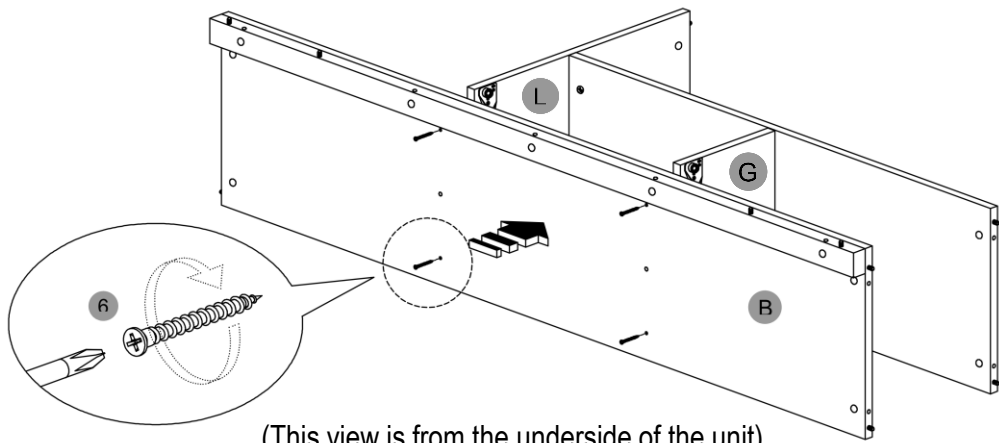
(This view is from the underside of the unit)

**STEP 11**

Use screws (6) to assemble the bottom panel (B) to panels (G) and (L) as shown.

**Hardware:**

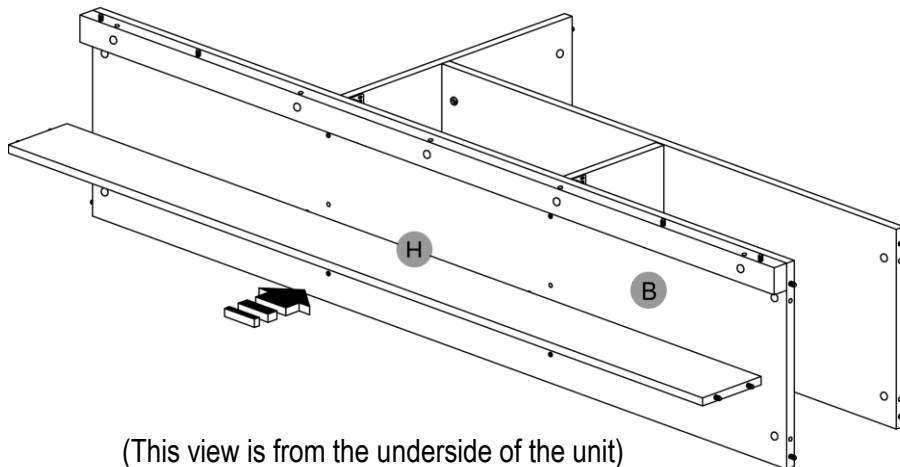
6	5x38mm	4
		Pcs



(This view is from the underside of the unit)

**STEP 12**

Join the bottom crossbar (H) to the bottom panel (B) as shown (wooden pins enter into the holes).




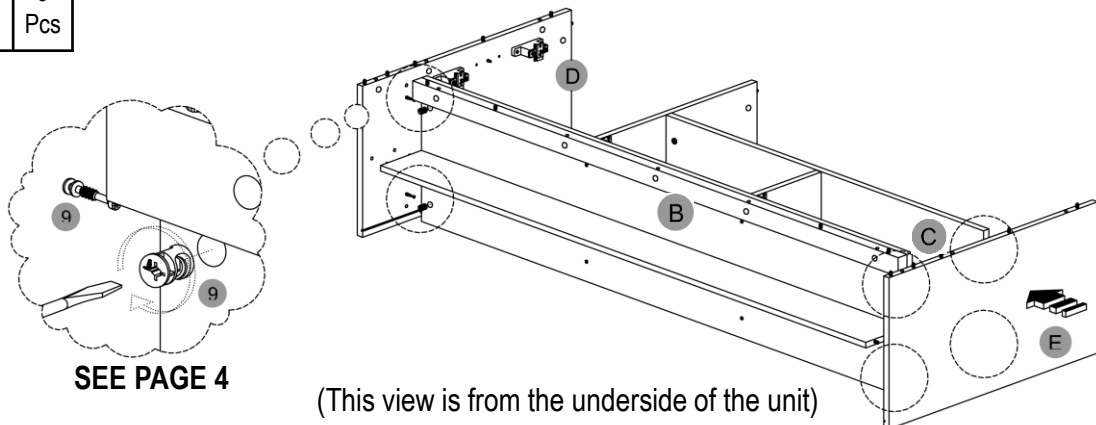
(This view is from the underside of the unit)

**STEP 13**

1<sup>st</sup>: Install and align the cam locks (9) into panels (B) and (C) in the locations indicated.  
 2<sup>nd</sup>: Assemble panel (D) to panel (B) as shown and as explained in page 4.  
 3<sup>rd</sup>: Assemble panel (E) to panels (B) and (C) as shown and as explained in page 4.

**Hardware:**

9	Cam lock	6
		Pcs

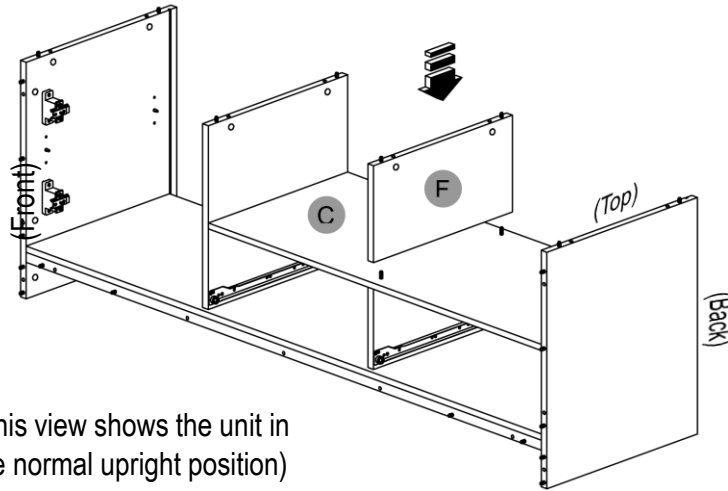


**SEE PAGE 4**

(This view is from the underside of the unit)

**STEP 14**

Join the upper divider panel (F) to the middle shelf (C) as shown (wooden pins enter in the holes).



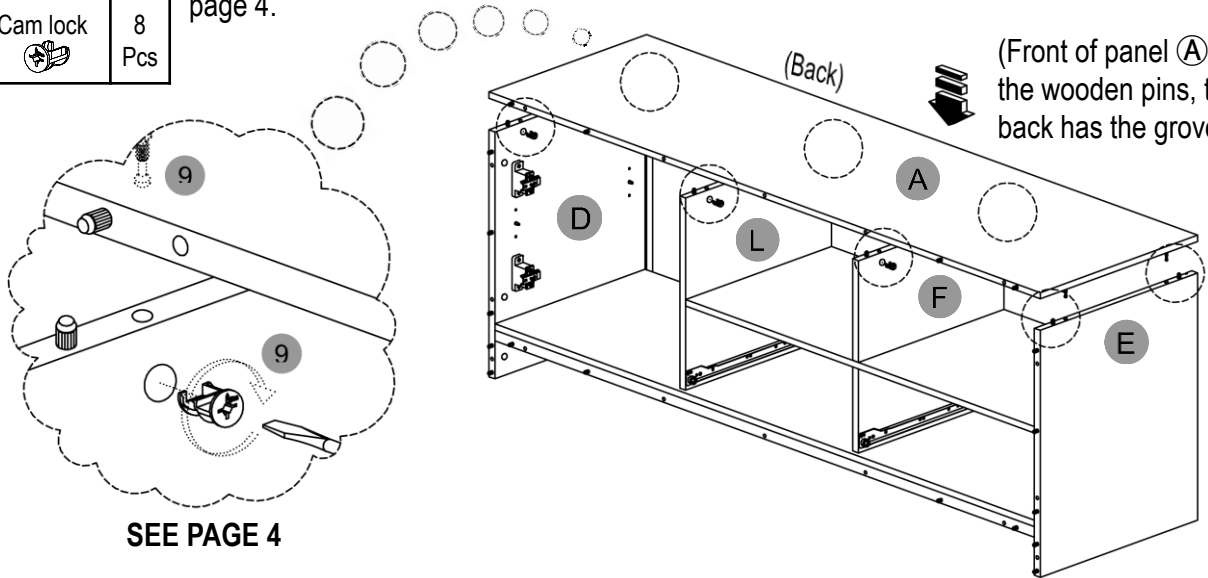
**STEP 15**

1<sup>st</sup>: Install and align the cam locks (9) into panels (D), (E), (F) and (L) in the locations indicated.

**Hardware:**

2<sup>nd</sup>: Assemble the main panel (A) to panels (D), (E), (F) and (L) as shown and as explained in page 4.

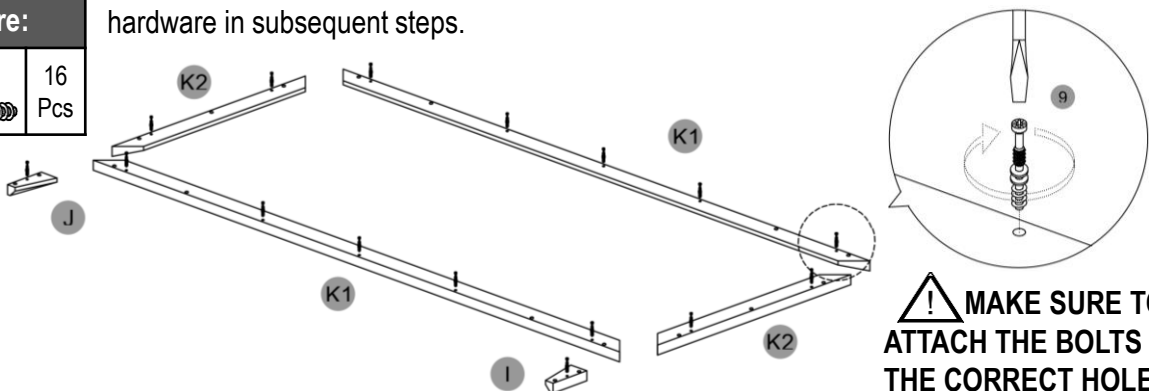
<b>9</b>	Cam lock	8 Pcs
----------	----------	----------



**STEP 16**

Attach the cam bolts (9) to the corresponding holes on the panels (K1, K2, I) and (J) as shown, but make sure to use the correct holes as some are intended for other kind of hardware in subsequent steps.

<b>9</b>	Cam bolt	16 Pcs
----------	----------	-----------

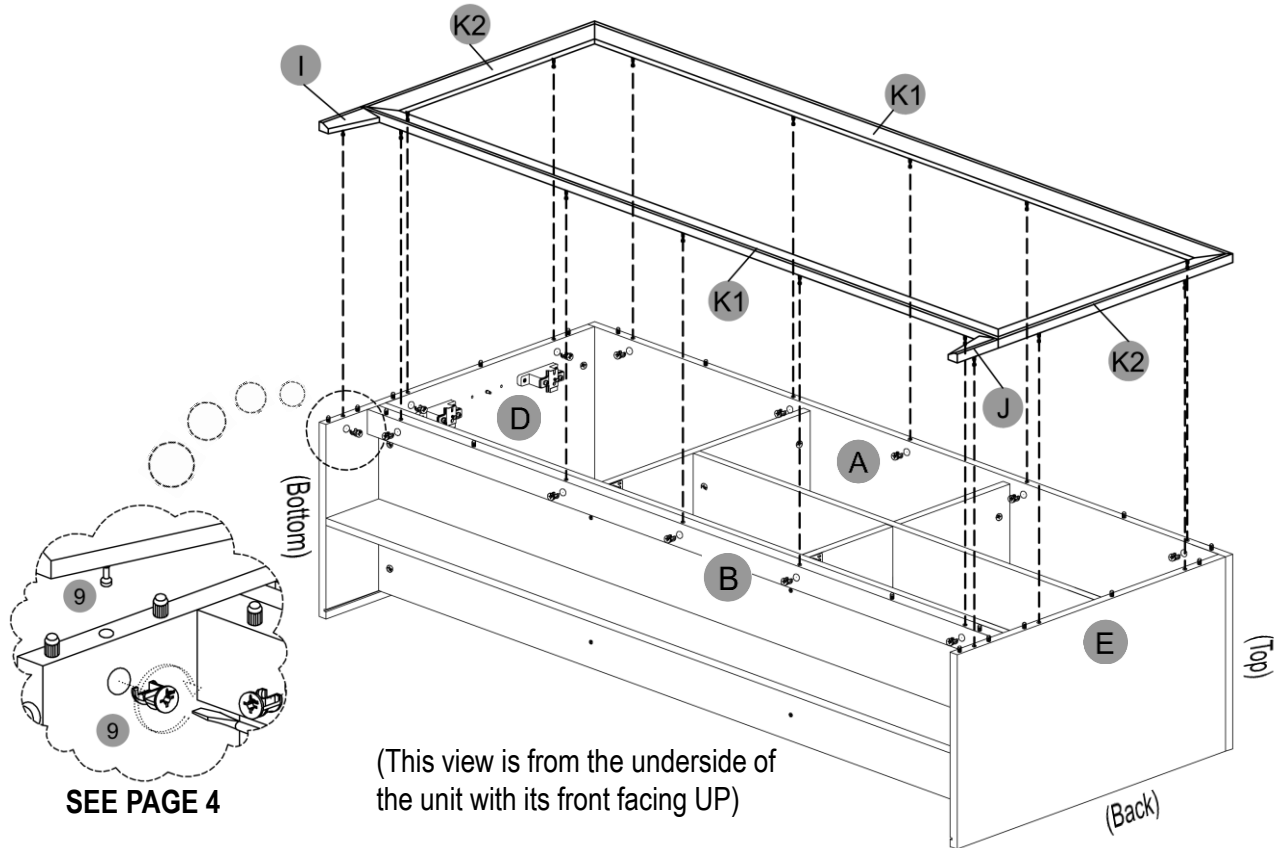


**STEP 17**

**Hardware:**

<b>9</b>	Cam locks	16 Pcs
----------	-----------	--------

- 1<sup>st</sup>: Install and align the cam locks ⑨ into panels ①, ②, ④ and ⑤.
- 2<sup>nd</sup>: Assemble the frames ①1 to panels ① and ② as shown and as explained in page 4.
- 3<sup>rd</sup>: Assemble the frames ①2 to panels ④ and ⑤ as shown and as explained in page 4.
- 4<sup>th</sup>: Assemble the leg ① to the bottom of panel ④ and the leg ① to the bottom of panel ⑤ as shown and as explained in page 4.



**SEE PAGE 4**

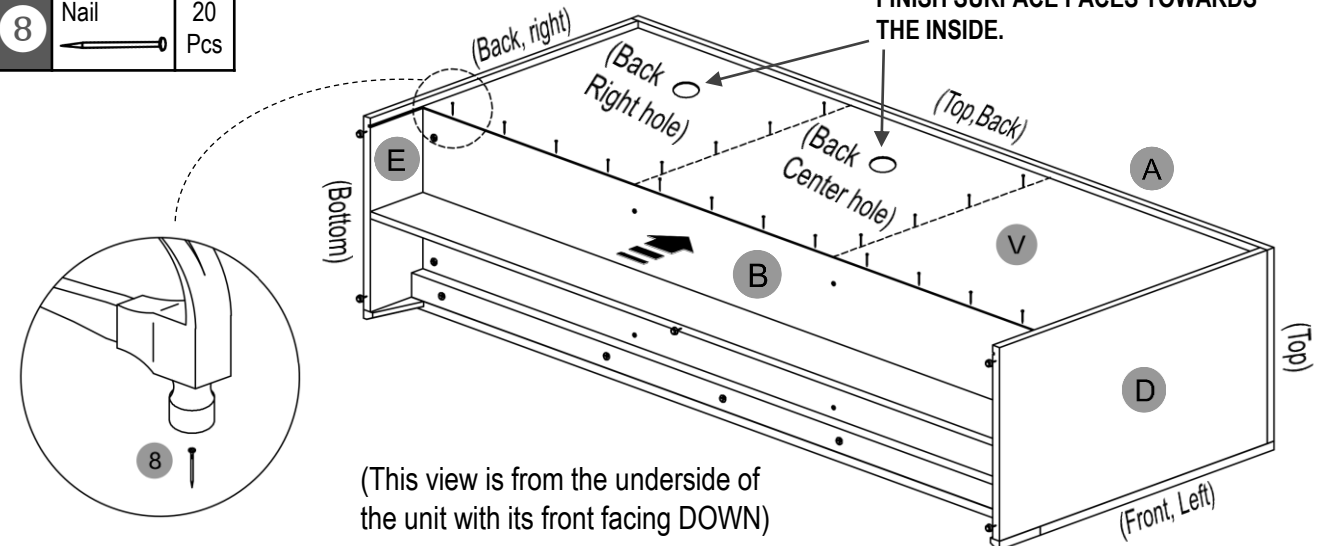
**STEP 18**

**Hardware:**

<b>8</b>	Nail	20 Pcs
----------	------	--------

- 1<sup>st</sup>: Insert the back panel ① sliding it thru the grooves of panels ①, ④ and ⑤.
- 2<sup>nd</sup>: Nail the back panel ① to panel ②, and to the panels ① and ① (behind) using the line markings as guide.



**HOLES FACE TOWARDS THE TOP, FINISH SURFACE FACES TOWARDS THE INSIDE.**

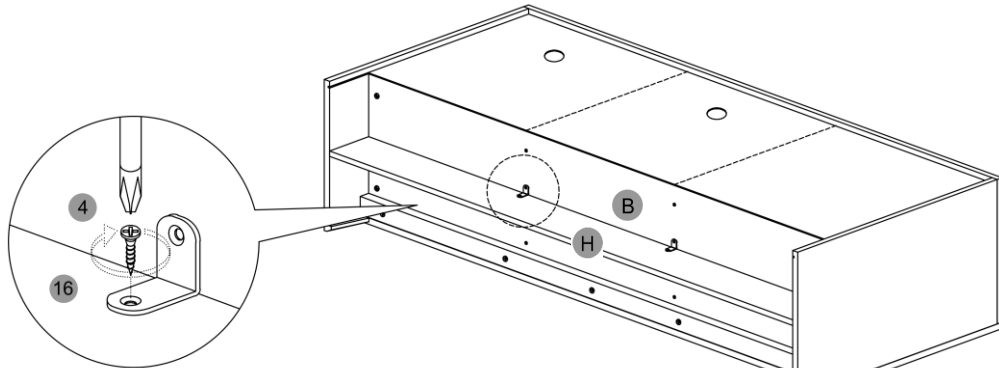


**STEP 19**

Use screws (4) to attach the L brackets (16) to the panels (B) and (H) as shown.

**Screws:**

<b>4</b>	3.5x15mm 	4 Pcs
<b>16</b>	L Bracket 	2 Pcs



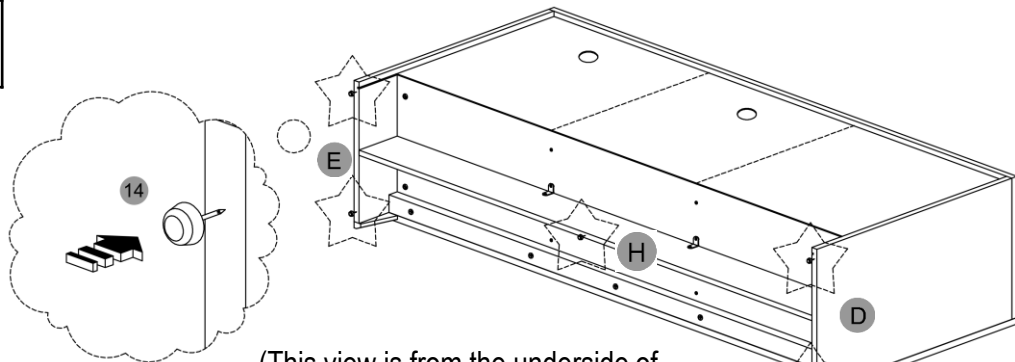
(This view is from the underside of the unit with its front facing DOWN)

**STEP 20**

Attach the nail-in glides (14) to the bottom corners of panels (D) and (E) and to the center of panel (H).

**Hardware:**

<b>14</b>	Glides 	5 Pcs
-----------	--	----------





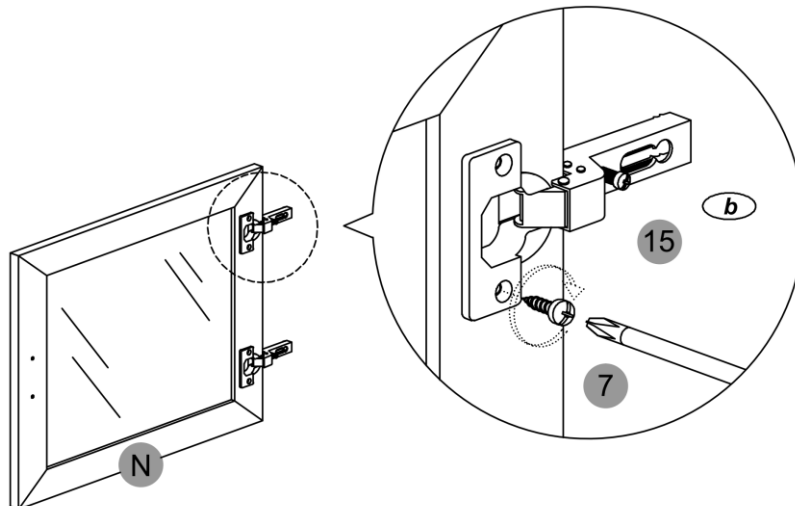
(This view is from the underside of the unit with its front facing DOWN)

**STEP 21**

Assemble the big hinges (15) (b) to the glass door (N) using screws (7) as shown.

**Screws:**


<b>7</b>	10#x1/2" 	4 Pcs
<b>15</b>	Hinge "b" 	2 Pcs

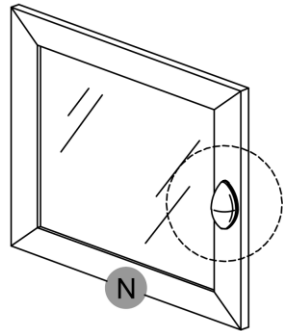


**STEP 22**

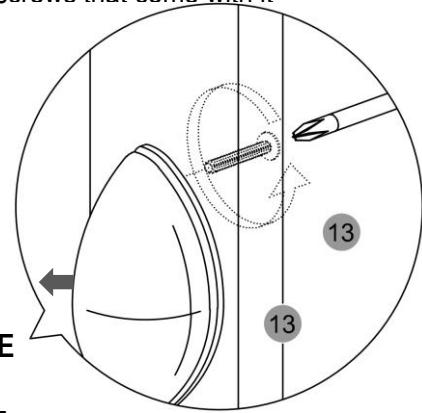
Assemble the handle (13) to the door (N) using the screws that come with it

**Hardware:**

<b>13</b>	Handle	1
		Set



**THE HANDLE  
OPENING  
FACES LEFT**



**STEP 23**

For each the drawer:

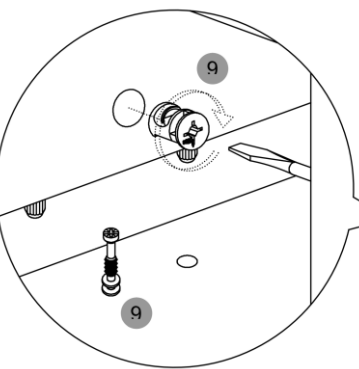
1<sup>st</sup>: Install and align the cam locks (9) into all the panels (Q), (R) and (T).

2<sup>nd</sup>: Assemble the panels (Q), (R) and (T) to panel O as shown and as explained in page 4.

3<sup>rd</sup>: Assemble the panels (Q), (R) and (T) to panel P as shown and as explained in page 4.

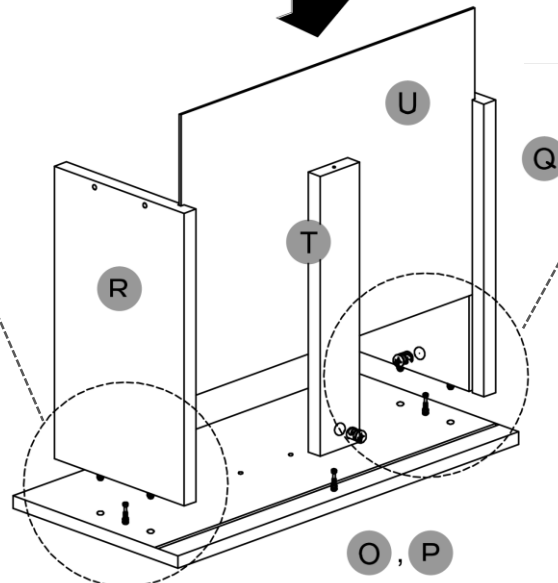
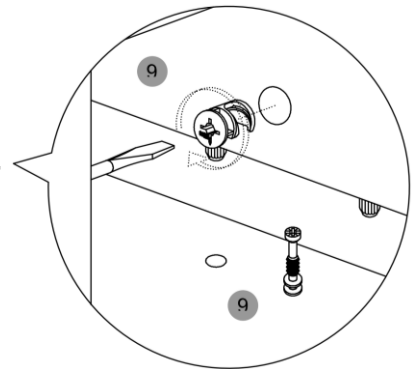
4<sup>th</sup>: insert the panel (U) thru the groves on panels (O), (Q) and (R).

5<sup>th</sup>: insert the panel (U) thru the groves on panels (P), (Q) and (R).



**SEE PAGE 4**

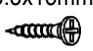


**SEE PAGE 4**



(This view shows the drawer with its front facing DOWN)

**STEP 24**

**Screws:**

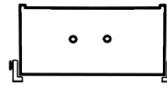
4	3.5x15mm 	8 Pcs
5	4x38mm 	10 Pcs
17	"L" sliders 	2 Left 2 Right

For each the drawer:

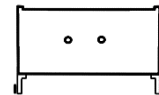
1<sup>st</sup>: Use screws ⑤ to assemble the back panel ⑤ to the side panels ④ and ⑥ from the sides, and to the support bar ⑦ from the back.

2<sup>nd</sup>: Assemble the "L" shaped sliders ⑰ to the side panels ④ and ⑥ using screws ④ as shown.

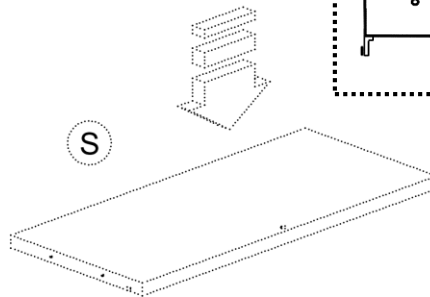
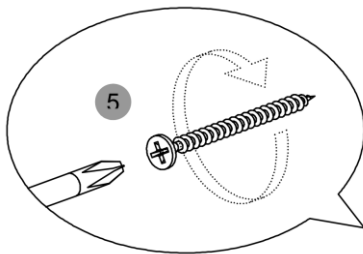
**VERY IMPORTANT ABOUT THE SLIDERS!**



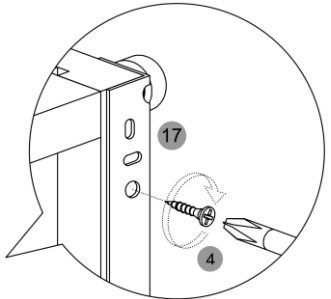
**CORRECT:**  
Sliders don't protrude on the bottom.



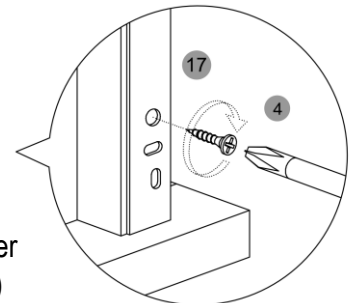
**INCORRECT:**  
Raises the drawer 1" and won't fit!



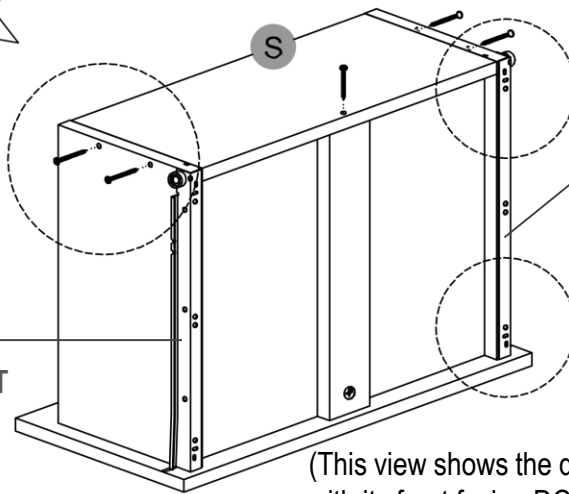
**THE WHEEL GO AT THE BACK**



17  
LEFT





17  
RIGHT



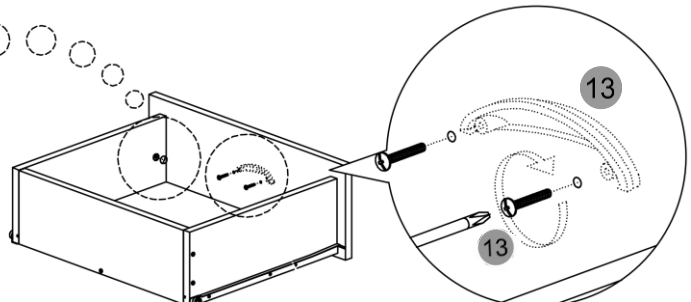
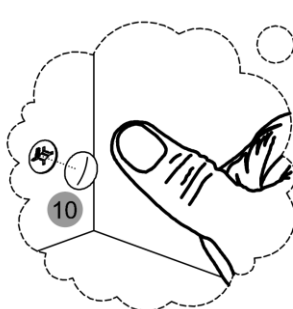
(This view shows the drawer with its front facing DOWN)

**STEP 25**

**Hardware:**

10	Caps 	4 Pcs
13	Handle 	2 Set

For each drawer, assemble the handles ⑬ to the front panels ①, and ② respectively, using the screws that come with them, then cover the screws with the plastic caps ⑩.



**HANDLE OPENING FACES DOWN**

**STEP 26**

**Hardware:**

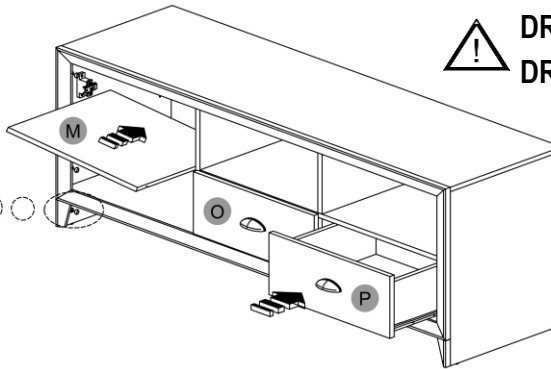
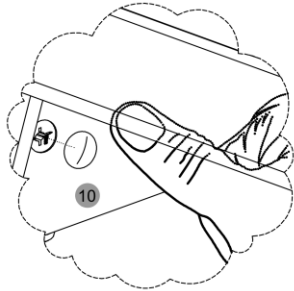
10

Caps



6  
Pcs

- 1<sup>st</sup>: Insert the drawer with the front panel **(O)** into the LEFT of the unit.
- 2<sup>nd</sup>: Insert the drawer with the front panel **(P)** into the RIGHT of the unit.
- 3<sup>rd</sup>: Insert and place the adjustable panel **(M)** over the metal pins on the left. You can adjust the location of the panel according to your preference.
- 4<sup>th</sup>: Cover the cam locks that are visible at the front of the unit with plastic caps **(10)**.

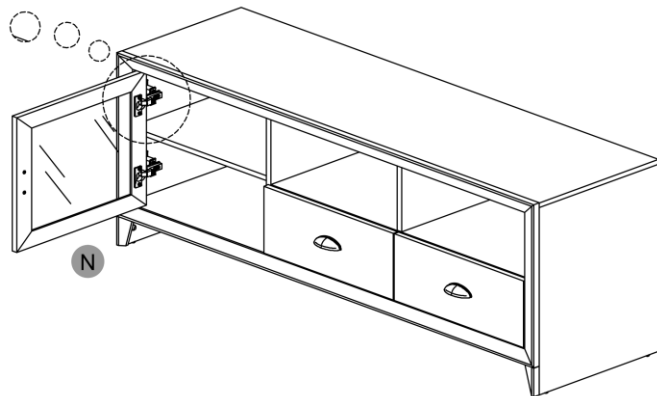
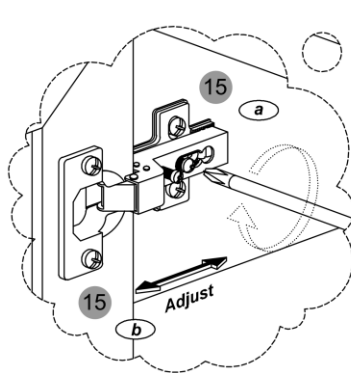


**DRAWER (O) TO THE LEFT.  
DRAWER (P) TO THE RIGHT.**

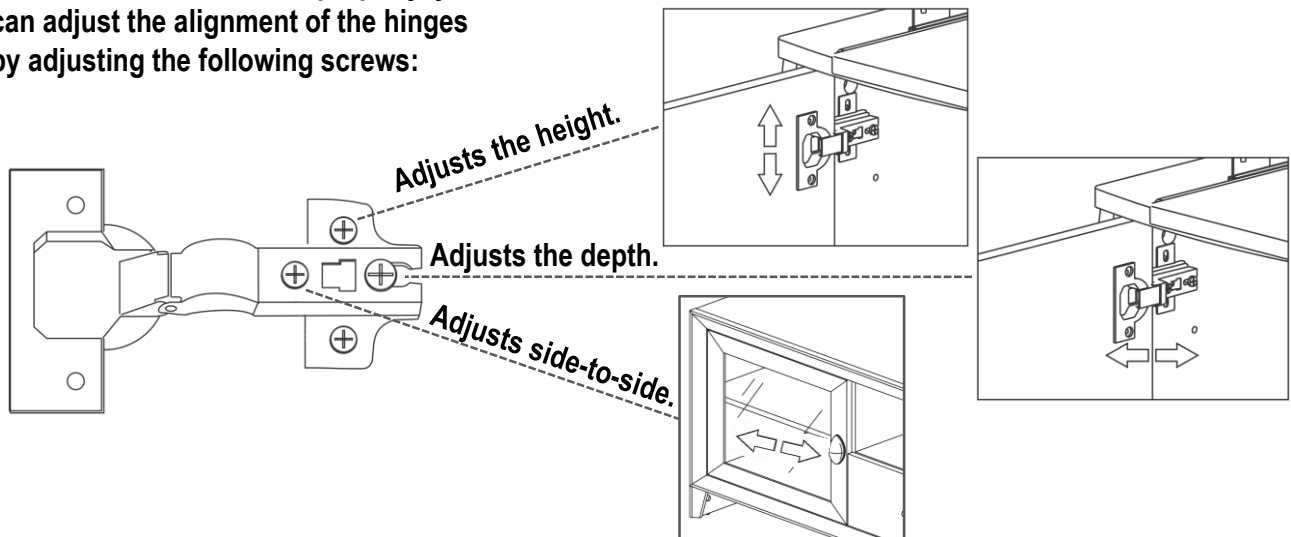
(This view shows the unit in the normal upright position)

**STEP 27**

Assemble the door **(N)** to the unit by joining the hinges **(15)(b)** (on the door) with the hinges **(15)(a)** (on the plastic bases **(12)**) as shown. A little adjustment might be needed if the door does not close properly, please see instructions below.



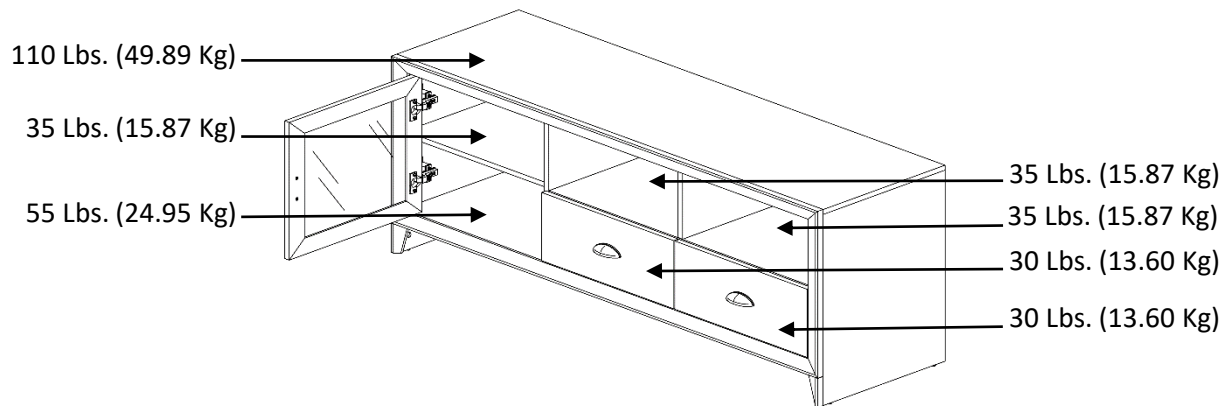
If the door does not close properly, you can adjust the alignment of the hinges by adjusting the following screws:



**DONE!** Before you start using the unit, make sure that all the screws, bolts, cam locks, etc. are properly tightened, and read all the warnings in the next page.

**AFTER THE ASSEMBLY IS DONE, PLEASE READ CAREFULLY THE FOLLOWING  
CARE AND MAINTENANCE WARNINGS:**

**WEIGHT LIMITS**



- Do not exceed the indicated weight limits.
- Do not expose the surfaces to direct sunlight or to extreme environmental conditions.
- Clean the surfaces preferable with a clean cloth damped in a solution of mild soap and water, then dry with a clean towel.
- Do not use solvents or abrasive materials to clean the unit.
- If you decide to use a cleaning agent, test first on an area hidden from view such as underneath the tabletop.
- Do not seat or stand on the unit.
- Do not allow small children to play over the unit, or inside the left compartment.
- Do not allow small children to reach inside the drawers or any compartment without your supervision.
- The unit must be handled by at least 2 persons when moving in the same or adjacent rooms.
- Before moving the unit, make sure to remove any object that is heavy or might fall off.
- When lifting the unit, use both hands and bend your knees, not your backs.
- When transporting the unit to places far away, protect and secure the unit to avoid damage in transit.
- The glass is made of safety tempered glass. The safety feature is that when breakage occurs, the glass shatters into many tiny pieces minimizing the risk of serious injuries. If the glass breaks, do not handle the pieces with your bare hands, take some pictures and contact Customer Service immediately. Please refer to the Contact Us card.
- Shall any part of the unit become defective during the warranty period, replacement parts might be available to you at no charge. Please refer to the WARRANTY card included with the product.
- The warranty does not extend to regular wear and tear, nor the manufacturer assumes liability for damages or consequences due to accidents, incorrect assembly, negligence, improper use, modifications, or not heeding the above warnings.
- The warranty is limited to the continental United States. If you reside in Hawaii, Puerto Rico, U.S. Dependencies or other countries, please contact the supplier from where the unit was purchased.