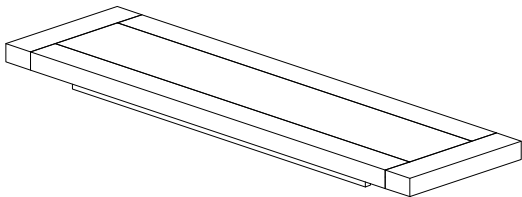
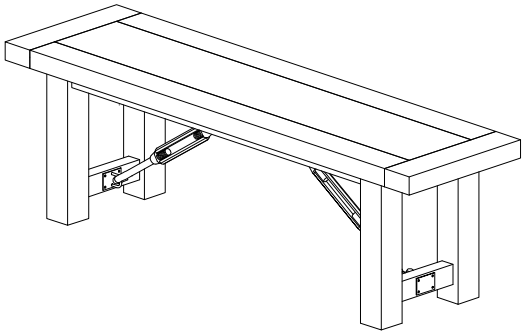
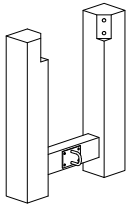
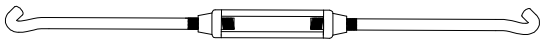


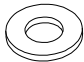
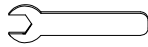
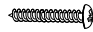
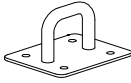


DINING BENCH ASSEMBLY INSTRUCTIONS

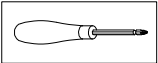
<p>A. BENCH TOP 1 PC</p> 	<p>DINING BENCH ASSEMBLED</p> 
<p>B. LEG 2 PC</p> 	
<p>C. TURNBUCKLE 2 PC</p> 	

HARDWARE ARE PACKED IN BOX

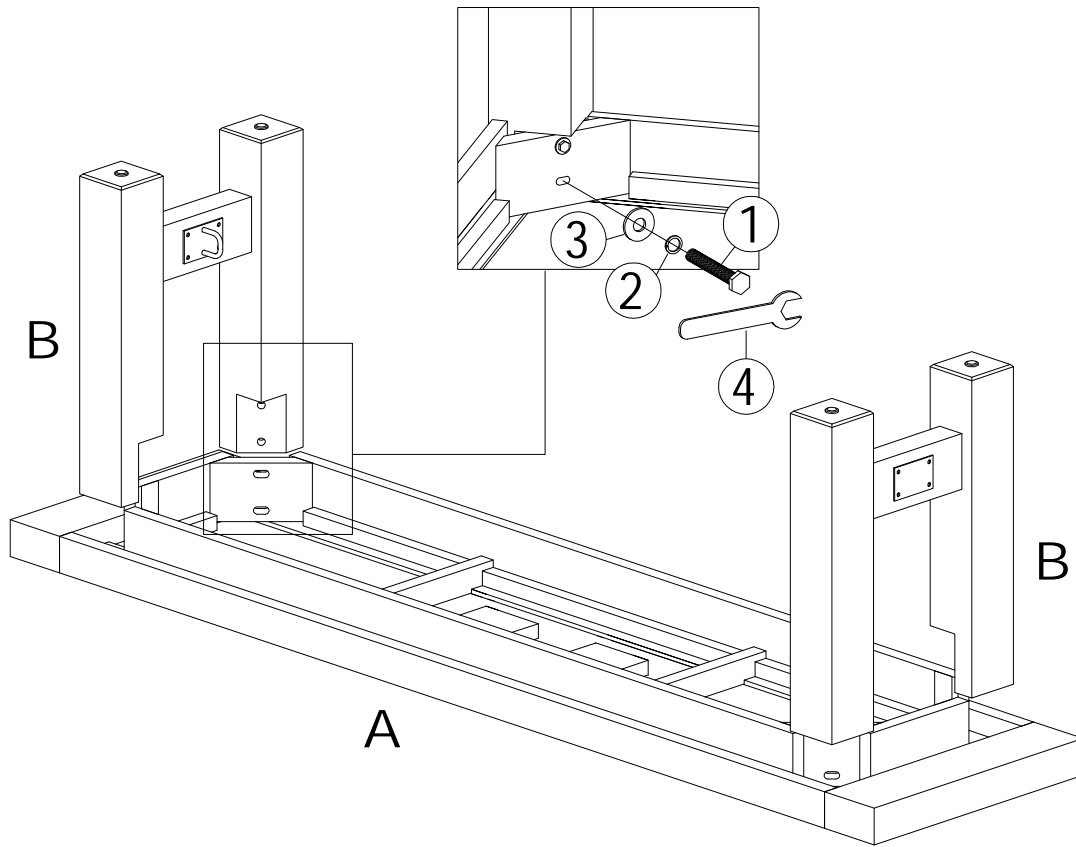
1	HEX BOLT (M8X50)	08 PCS	2	SPRING WASHER (M11)	08 PCS	3	FLAT WASHER (M9)	08 PCS	4	SPANNER (M13)	01 PC	5	WOOD SCREW (M4X25)	08 PCS	6	METAL LOOP BRACKET	02 PCS
																	

TOOL REQUIRED

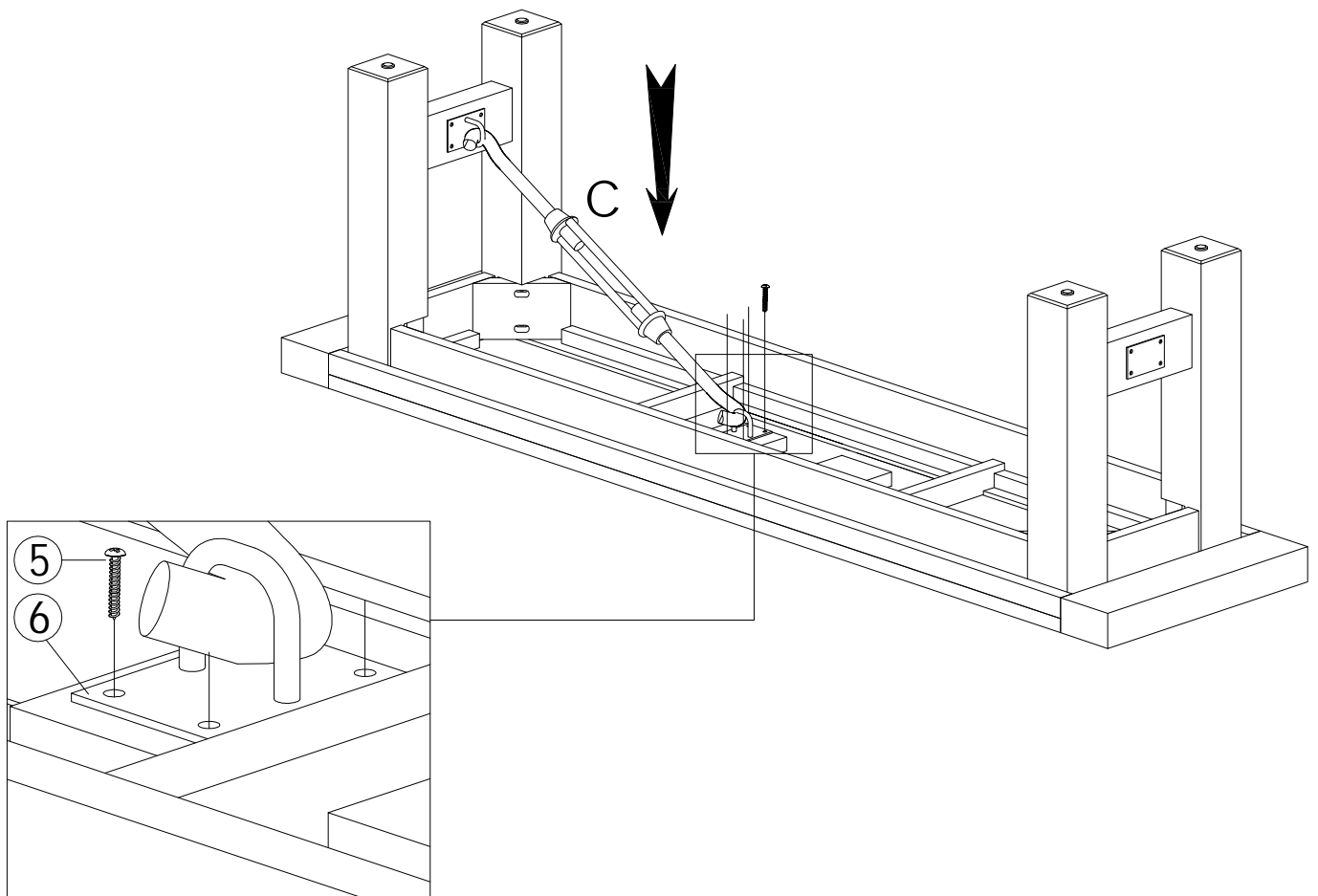
PHILLIPS HEAD SCREW
DRIVER NOT PROVIDED



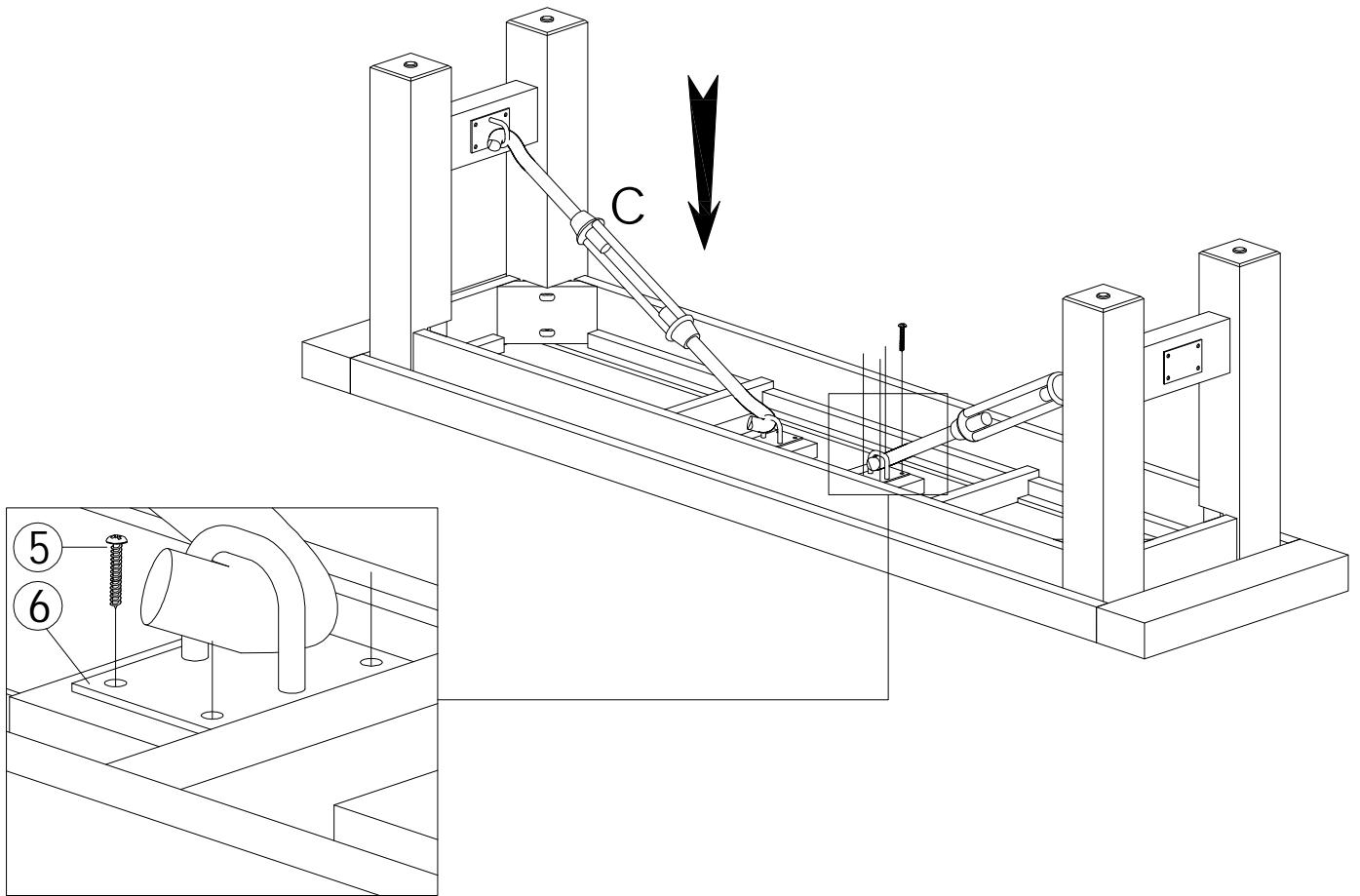
STEP 1:



STEP 2:



STEP 3:



Assembly Complete

