

ASSEMBLY INSTRUCTIONS

VANITY SET WALNUT



WE ARE HERE TO HELP!

WE DO OUR BEST TO INSURE THAT YOUR FURNITURE ARRIVES IN EXCELLENT CONDITION IN THE EVENT THAT A PART IS DAMAGED OR MISSING, WE WILL BE HAPPY TO PROVIDE YOU WITH REPLACEMENT PARTS, AT NO CHARGE, WITHIN 30 DAYS OF PURCHASE, PROVIDING THE PARTS ARE AVAILABLE IN OUR WAREHOUSE AND THE ITEM PURCHASED IS PART OF OUR CURRENT INVENTORY. IN ORDER TO RECEIVE SPARE PARTS, AT NO CHARGE, YOU MUST PROVIDE PROOF OF PURCHASE WITHIN 30 DAYS.






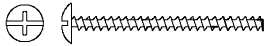

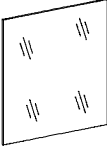

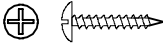



IF YOU NEED ASSISTANCE WITH ASSEMBLY OR REPLACEMENT PARTS, PLEASE CALL CUSTOMER SERVICE, PRIOR TO RETURNING THE ITEM TO THE STORE.

IMPORTANT:
PLEASE READ ALL INSTRUCTIONS IN THIS BOOKLET BEFORE STARTING ASSEMBLY.
MADE IN VIETNAM

HARDWARE PACKAGE COUNT

OPEN HARDWARE PACKAGE ON A FLAT SURFACE COVERED WITH NEWSPAPER. COUNT EACH PIECE OF HARDWARE TO MATCH THE QUALITY NUMBER IN THE HARDWARE LIST COLUMN CALL CUSTOMER SERVICE IF ANY OF THE PARTS ARE MISSING. FOLLOW THE LETTER IDENTIFICATION WHEN READING THE ASSEMBLY DRAWING "A" THROUGH "M"

HARDWARE IDENTIFICATION

SYMBOL	GRAPHICS	DESCRIPTION	QTY
A	 Ø1/4"xL.2-3/16"	MIDIUM BOLT	8
B	 Ø1/4"xL.1-9/16"	SHORT BOLT	10
C		SPRING WASHER	8
D		FLAT WASHER	8
E		ALLEN WRENCH	1
F	 Ø4x26mm	KNOB SCREW	2
G		METAL KNOB	2
H		MIRROR	1
I		MIRROR HOLDER	2
J	 Ø4x12mm	PAN HEAD SCREW	4
K		BARREL NUT	2
L	 Ø1/4"xL.2-9/16"	LONG BOLT	2
M		WOOD PLUG	2

ALL PARTS ARE LABELED WITH STICKERS MATCHING THE PART IDENTIFICATION NUMBERS LISTED ON PAGE 3.

IF ANY PARTS ARE MISSING OR DAMAGED IN THIS PACKAGE, WE WILL BE HAPPY TO PROVIDE YOU WITH REPLACEMENT PARTS, AT NO CHARGE, WITHIN 30 DAYS OF PURCHASE, PROVIDING THE PARTS ARE AVAILABLE IN OUR WAREHOUSE AND THE ITEM PURCHASED IS PART OF OUR CURRENT INVENTORY. IN ORDER TO RECEIVE SPARE PARTS, AT NO CHARGE, YOU MUST PROVIDE PROOF OF PURCHASE WITHIN 30 DAYS.

IMPORTANT

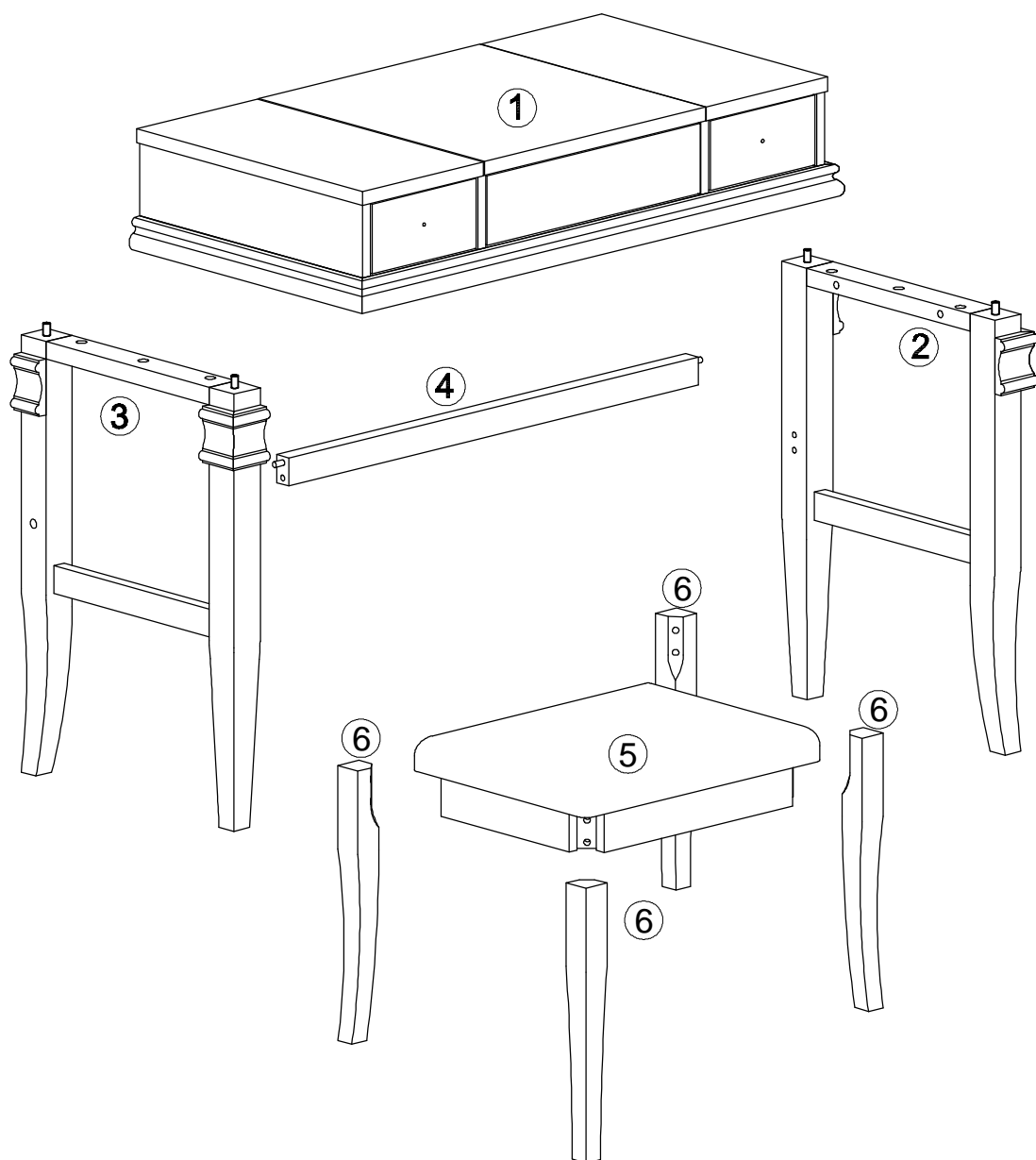
PLEASE USE ALL THE HARDWARE MENTIONED ABOVE
THEY WILL ASSURE THE ITEM STABILITY AND SAFETY.

TOOLS REQUIRED

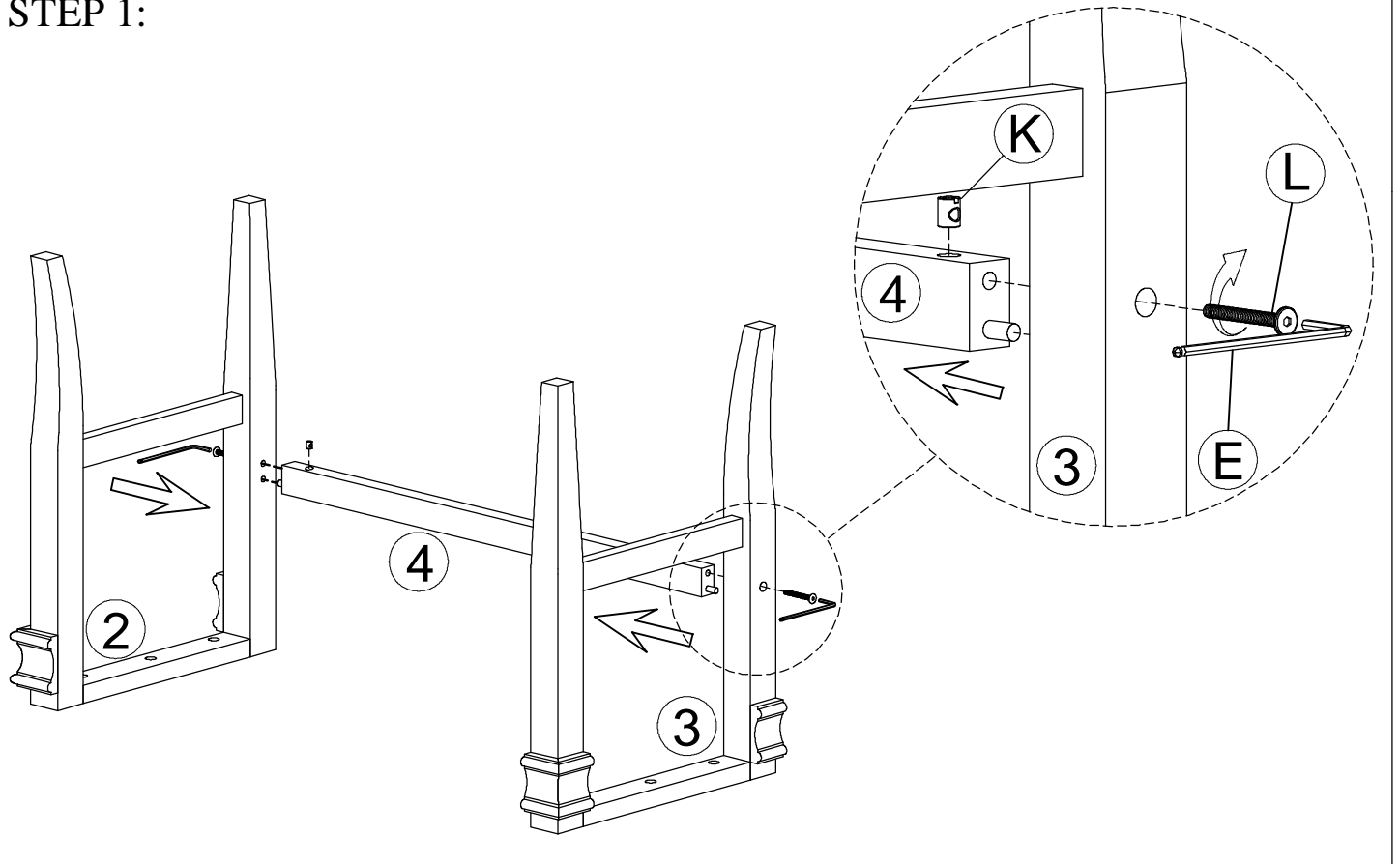
A STANDARD PHILIPS HEAD SCREWDRIVER (NOT PROVIDED) AND AN ALLEN WRENCH "E" (PROVIDED) ARE REQUIRED TO ASSEMBLE THIS UNIT. USE A PLASTIC HEAD Mallet, NOT PROVIDED, TO TAP IN STRETCHERS OR OTHER COMPONENTS.

PART IDENTIFICATION:

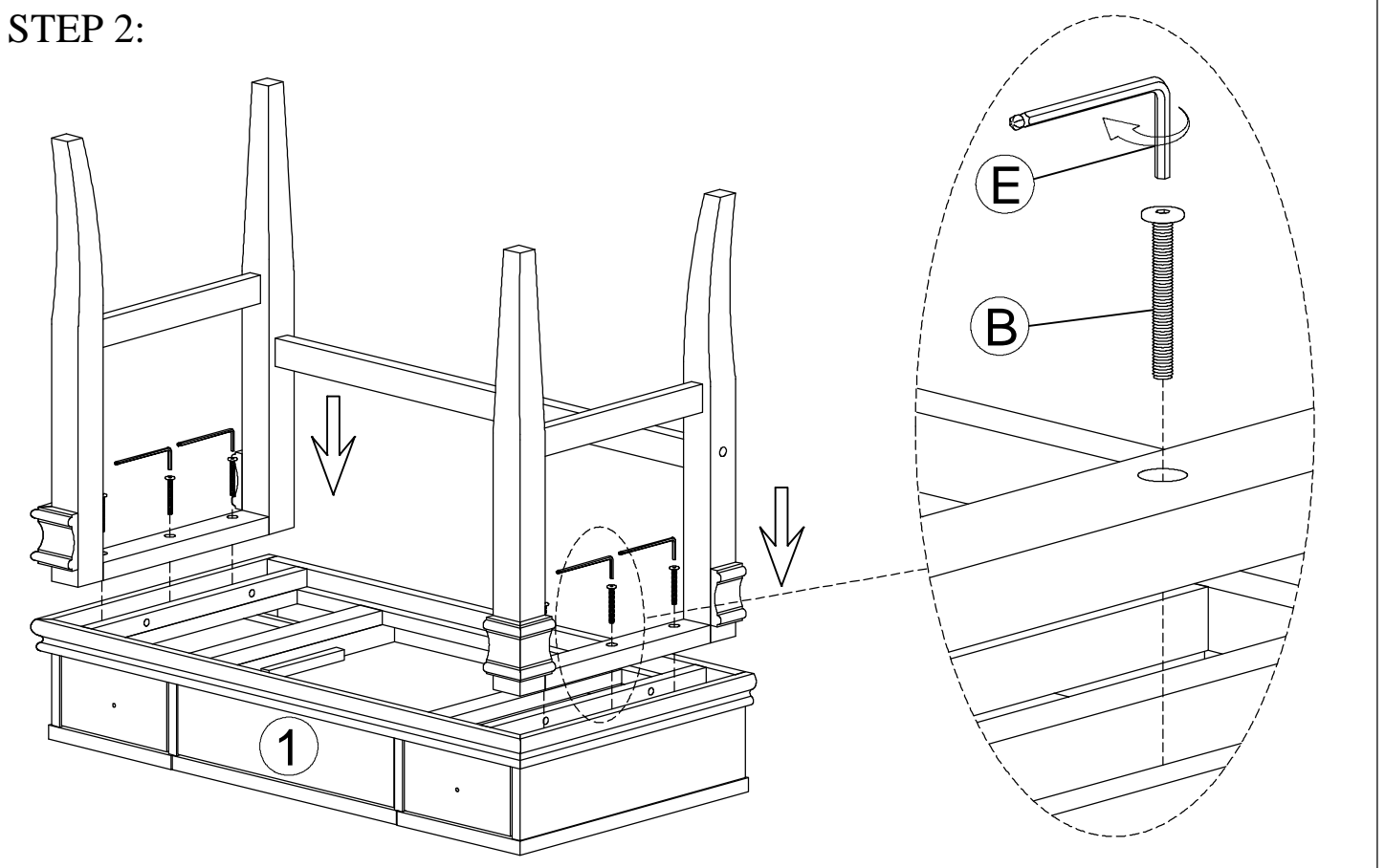
PART NUMBER	DESCRIPTION	QTY
1	TABLE - TOP	01
2	RIGHT LEG FRAME	01
3	LEFT LEG FRAME	01
4	BACK STRETCHER	01
5	STOOL - CUSHION FRAME	01
6	STOOL - LEG	04



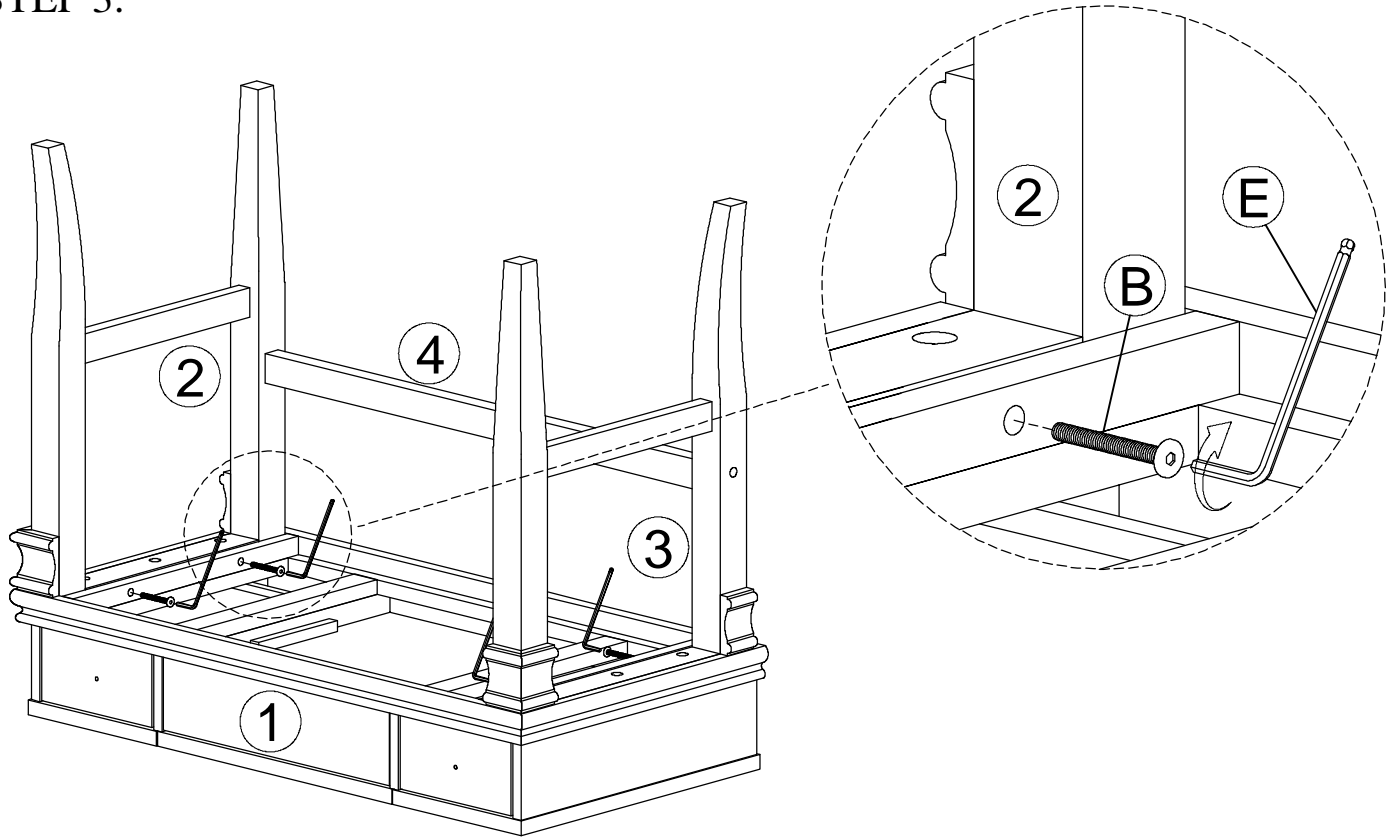
STEP 1:



STEP 2:



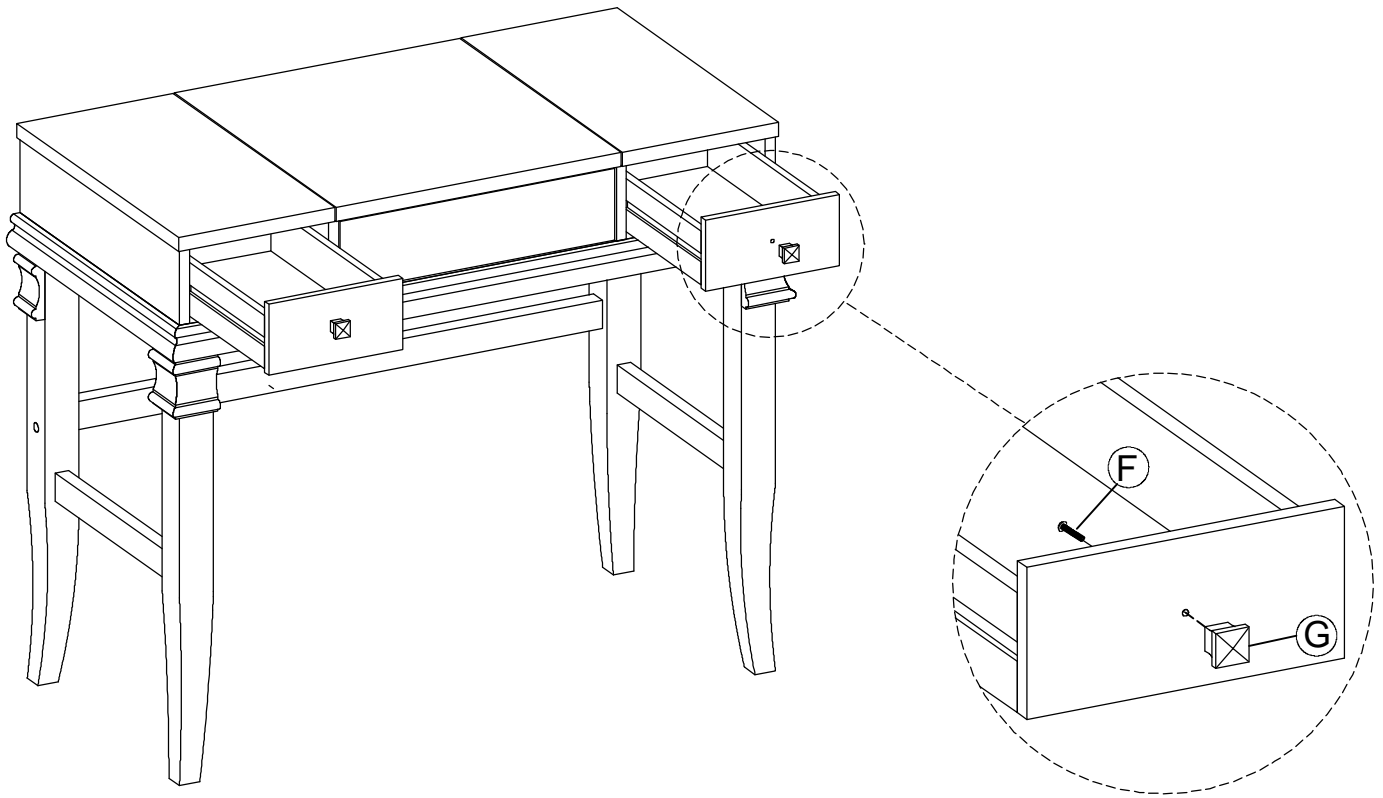
STEP 3:



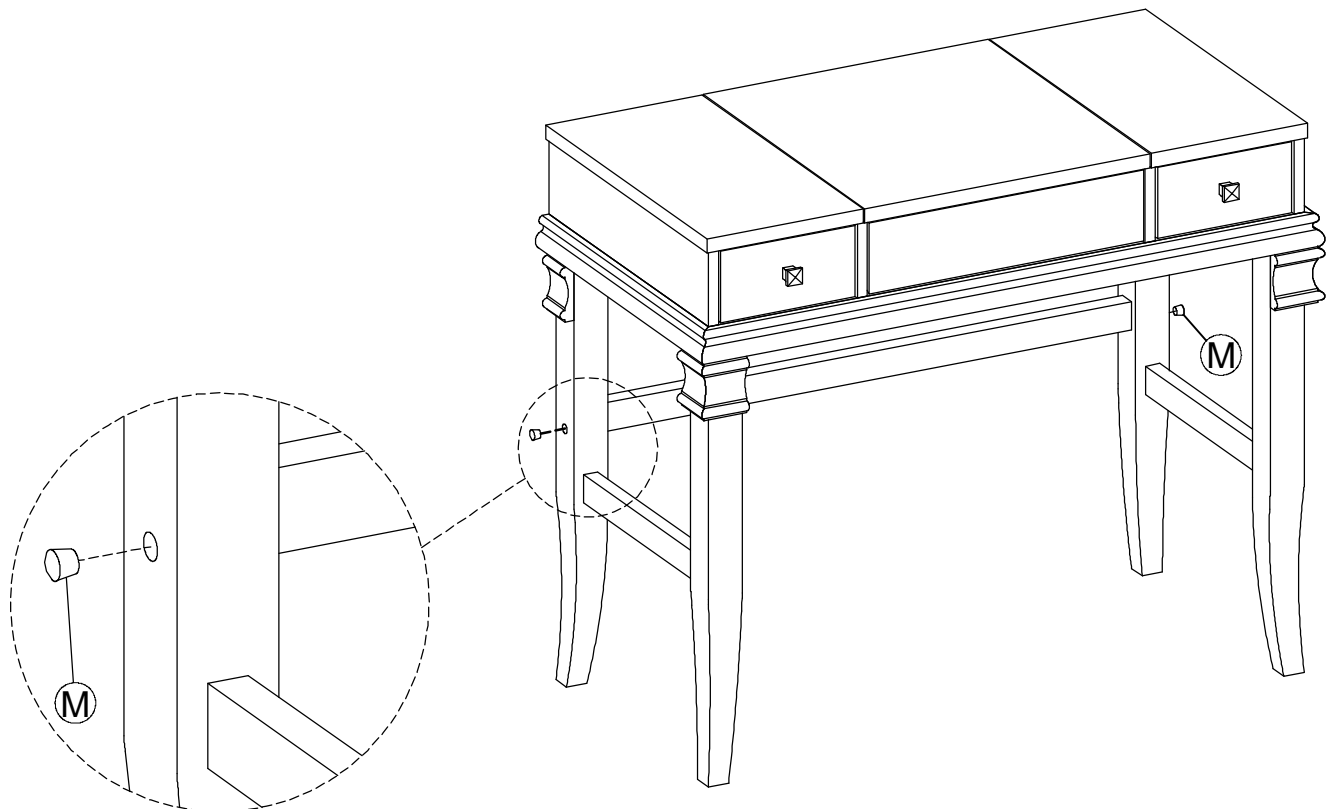
STEP 4:



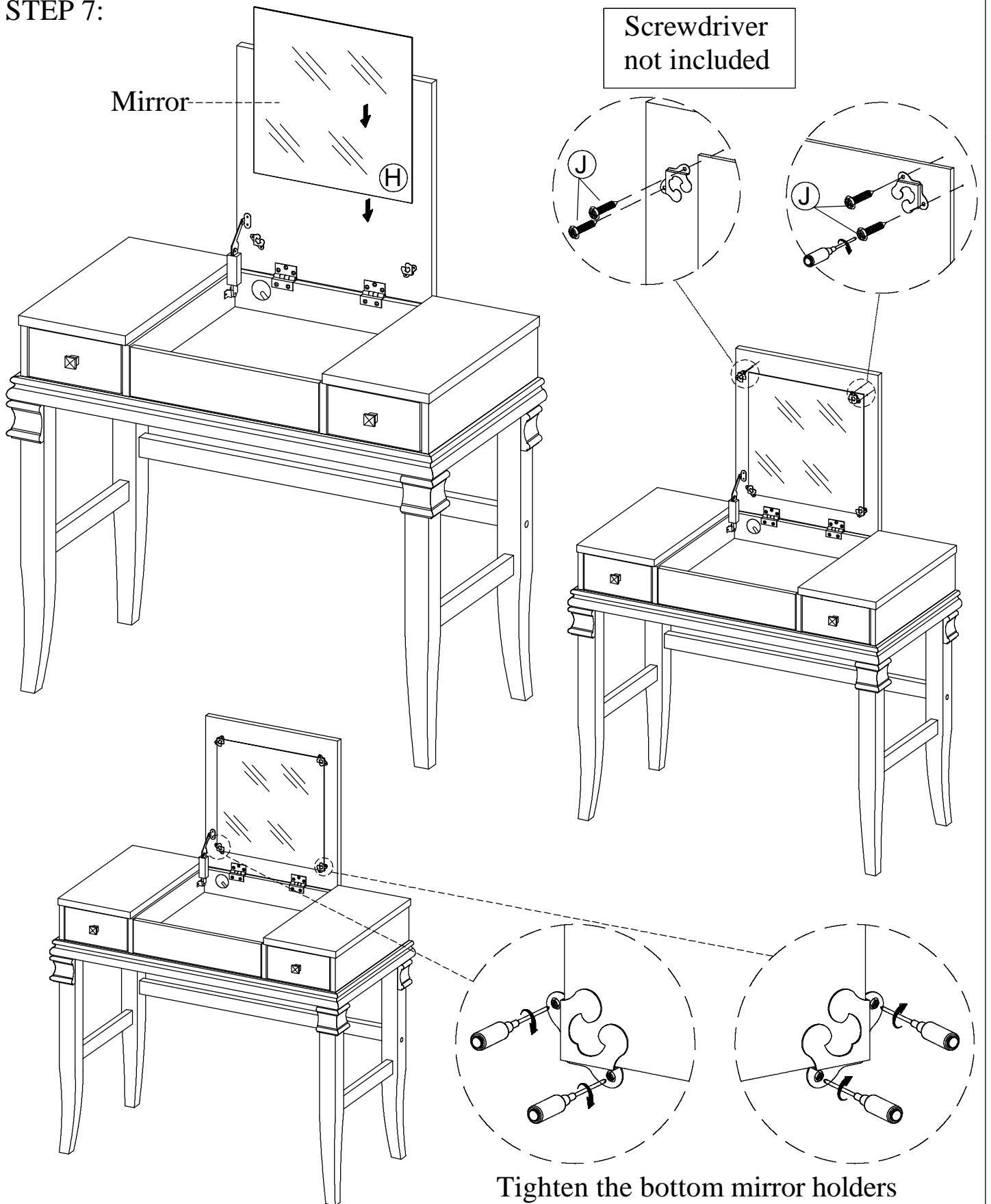
STEP 5:



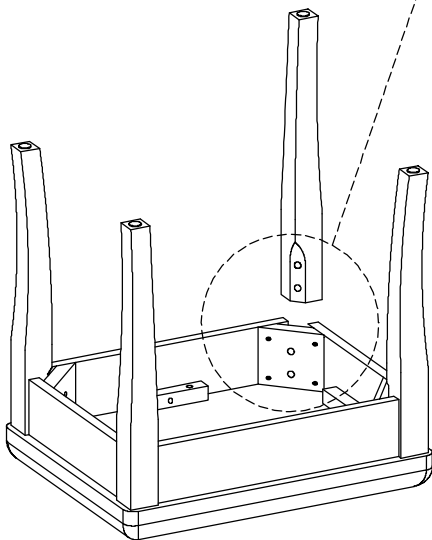
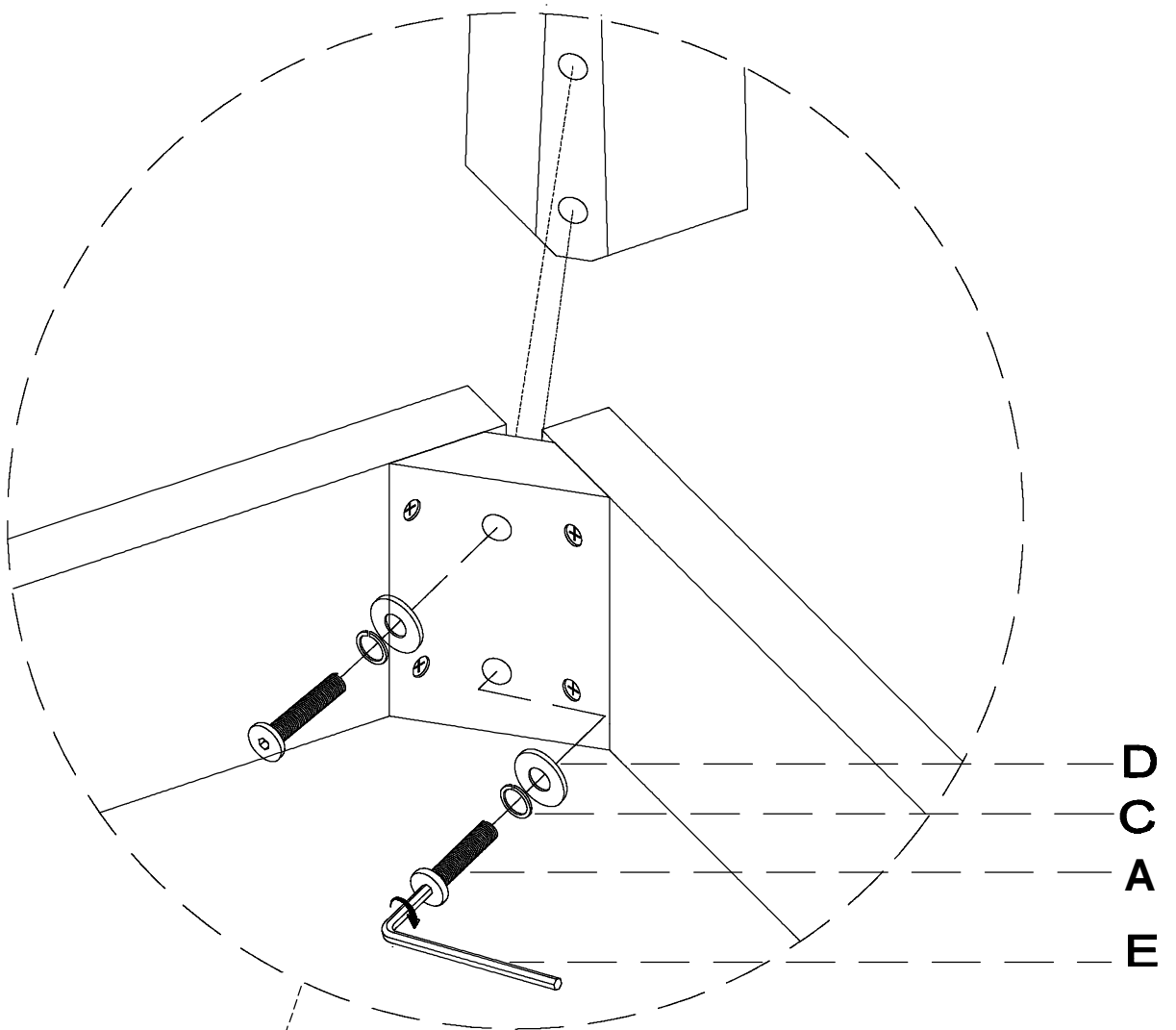
STEP 6:



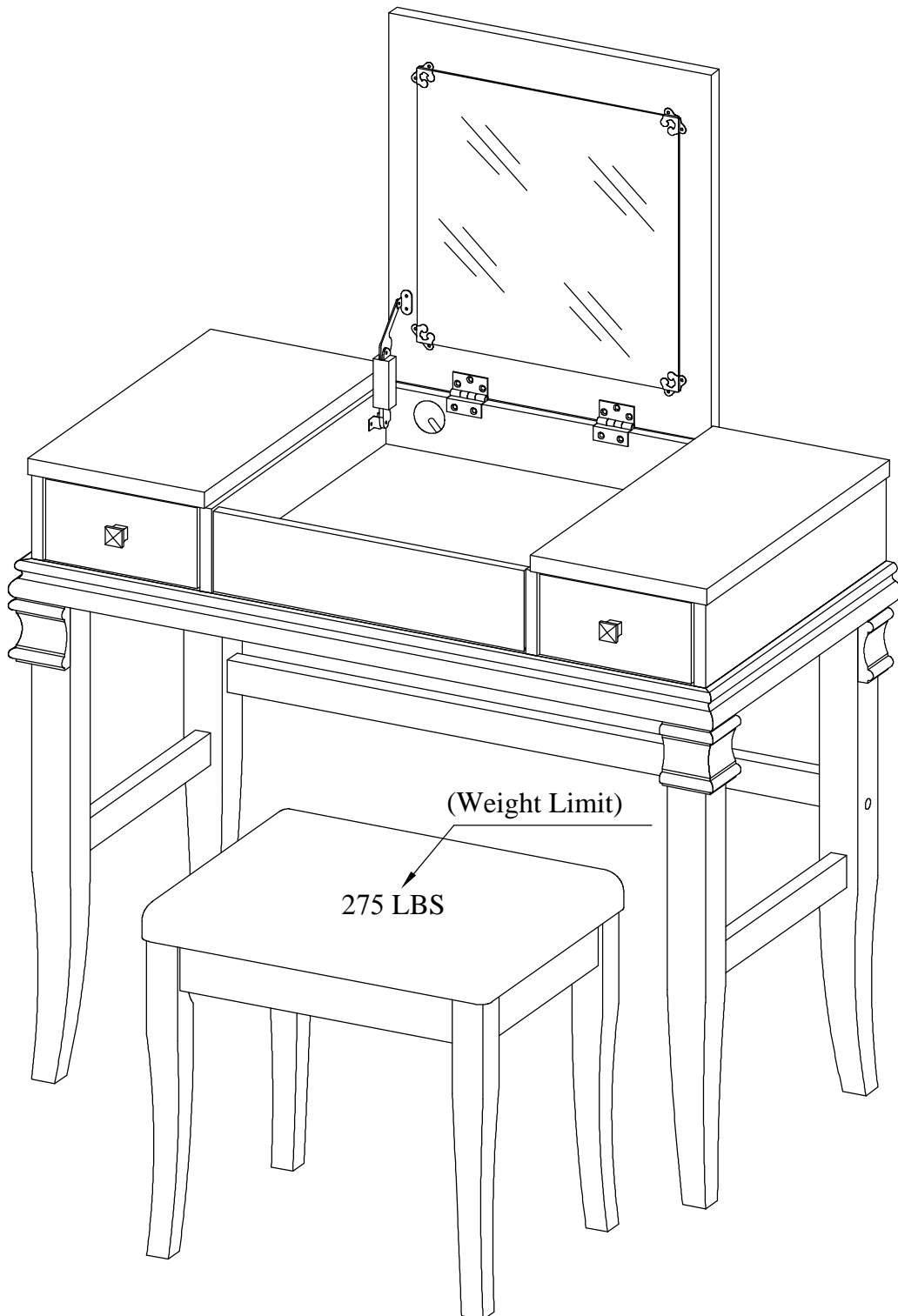
STEP 7:



STEP 8:



COMPLETED ASSEMBLY



LIMITED 6 MONTH WARRANTY

WHAT IS COVERED

This product is covered under our manufacturer's 6 month limited warranty. To ensure your complete satisfaction, this warrants to the original purchaser that the supplied item is free from defects in material and workmanship, as of the date of purchase, and that it will, under normal use and proper care, remain so for six month after the date of purchase.

Replacement of missing or initially defective parts will be sent, at no charge, for a period of 30 days from the date of purchase with valid proof of purchase providing the parts are available in our warehouse and the item purchase is part of our current inventory.

WHAT IS NOT COVERED

It remains the customer's responsibility for freight and packaging charges to and from the customer service center. Labor and material charges to remove or replace parts under this warranty are not covered

This warranty does not cover: Furniture used for commercial purposes, failures caused by improper care, unreasonable or abusive use, freeze damage, acts of God, rust, purchased parts or return freight and packaging charges. Proof of purchase (dates register receipt) is required for warranty claims.