

Nightstands

TABLE OF CONTENTS

03 Important Safety Instructions

03 Tools Needed

04 Parts List

05 Assembly

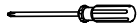
13 Warranty Information

IMPORTANT SAFETY INSTRUCTIONS

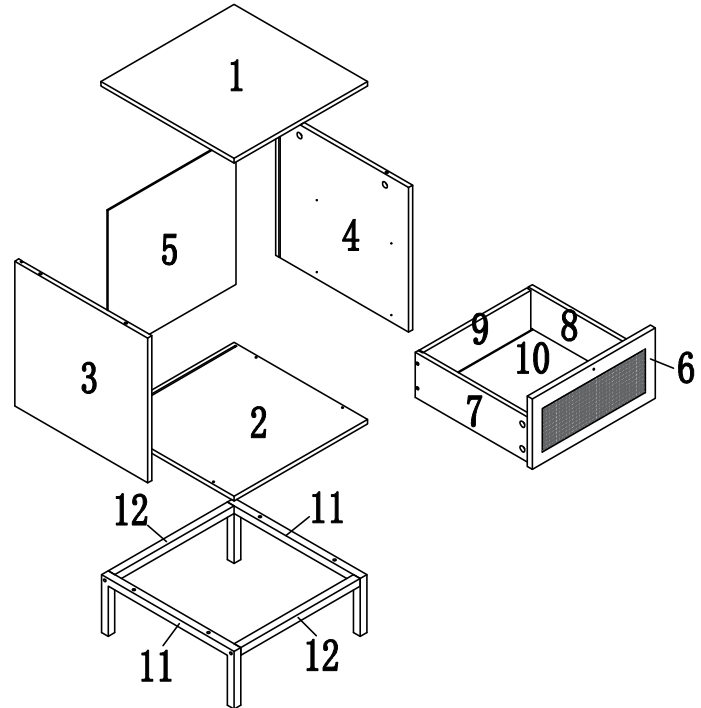
- Check if all the parts are complete before installation.
- Read through the instructions before installing the nightstand.
- Keep the small parts away from children to avoid the risk of swallowing.

TOOLS NEEDED

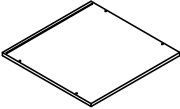
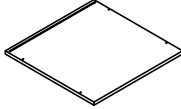
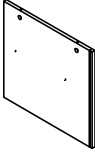
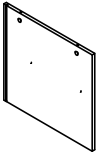
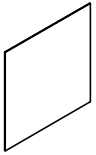
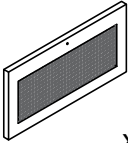
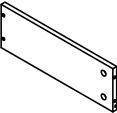
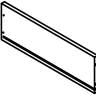
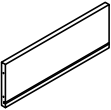
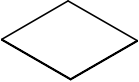
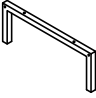





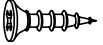
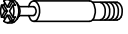


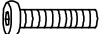
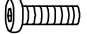


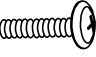
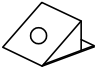
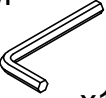
Screws Driver -1PC



(Not included)



PARTS LIST

1  x2	2  x2	3  x2	4  x2	5  x2	6  x2		
7  x2	8  x2	9  x2	10  x2	11  x4	12  x4		
A1  x2	A2  x2	B1  x2	B2  x2	C M3.5x12  x24	D  x16	E  x16	
F M5x40  x8	G M6x35  x8	H M6x28  x8	I M3.5x40  x8	J  x2	K  x2	L  x8	M  x1

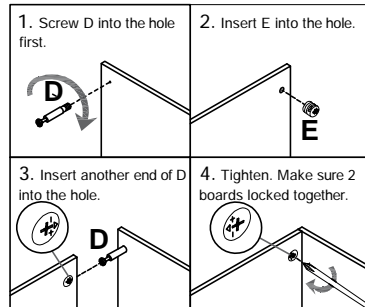
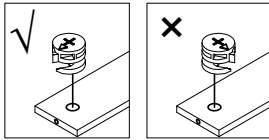
ASSEMBLY

Step 2:

Detailed Assembly of D and E

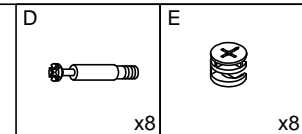
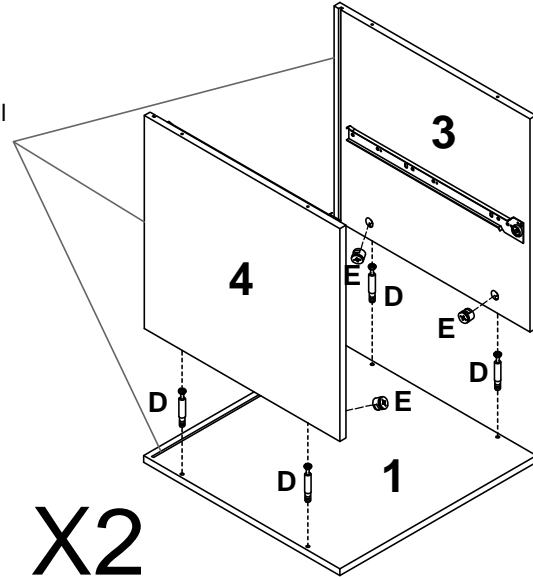
Important:

Note the direction of the arrow on the nut !



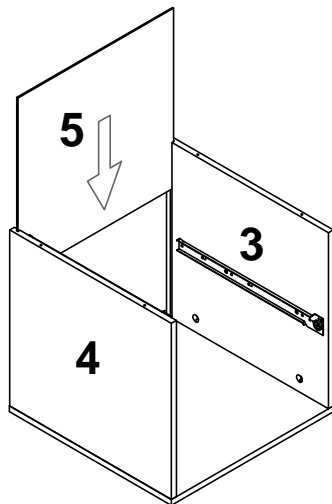
Important:

Make sure all slots on the same side.



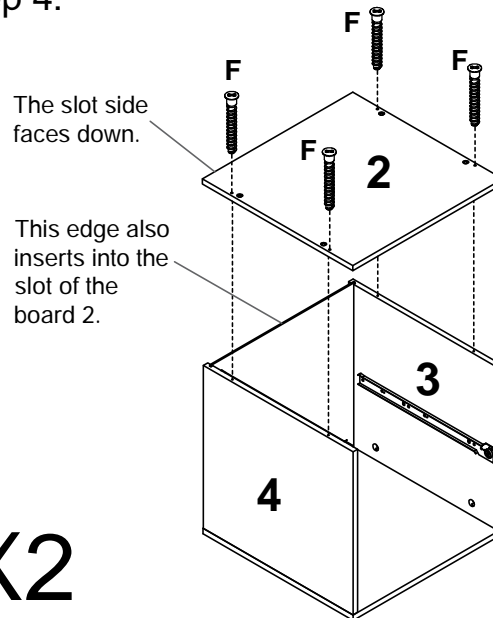
ASSEMBLY

Step 3: Insert the board 5 into the slots.

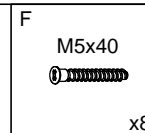


X2

Step 4:

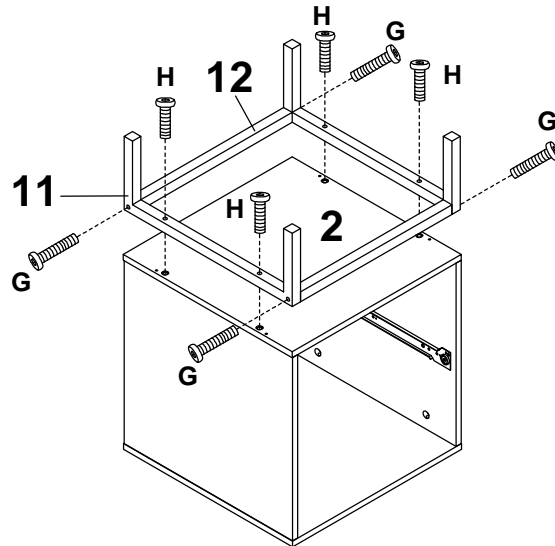


X2

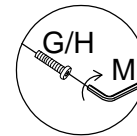


ASSEMBLY

Step 5:

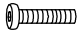
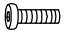


X2



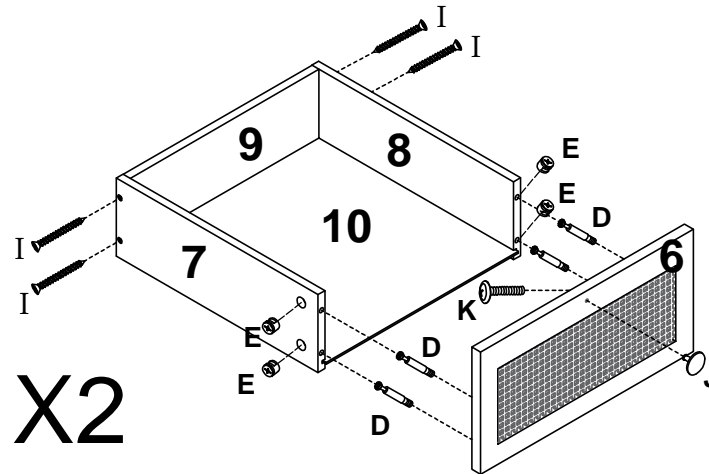
Important:

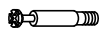




Do not tighten the screws before you make sure all screws are in the right holes.

G	H
M6x35	M6x28
	
x8	x8

ASSEMBLY

Step 7: **Important:** Make sure the bottom board 10 inserts into all the slots of the other 4 boards.



<p>D</p>  <p>x8</p>	<p>E</p>  <p>x8</p>	<p>I</p> <p>M3.5x40</p>  <p>x8</p>	<p>J</p>  <p>x2</p>	<p>K</p>  <p>x2</p>
--	--	---	--	--

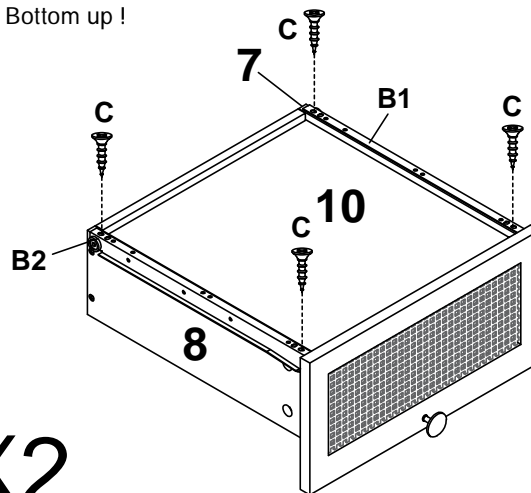
ASSEMBLY




Step 8:

Important:

The wheel of slider is on the side of the back board 9.

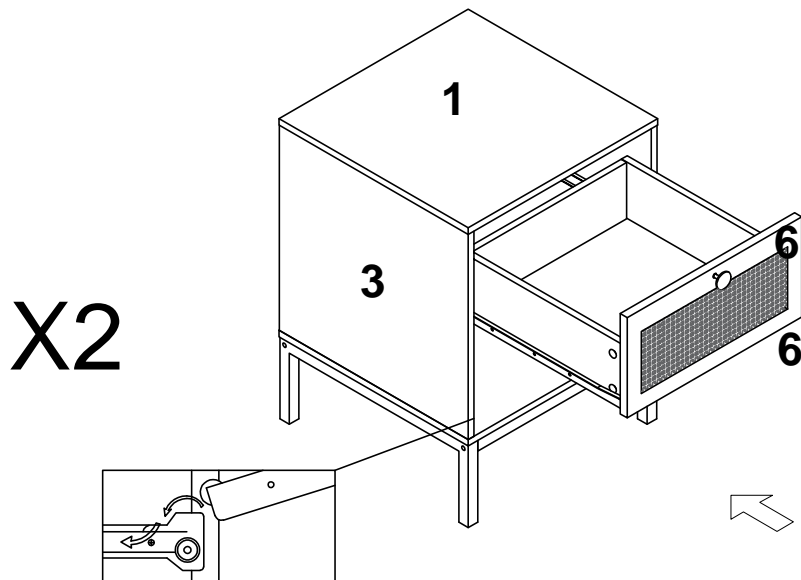
Bottom up !



B1  x2	B2  x2	C M3.5x12  x8
---	---	---

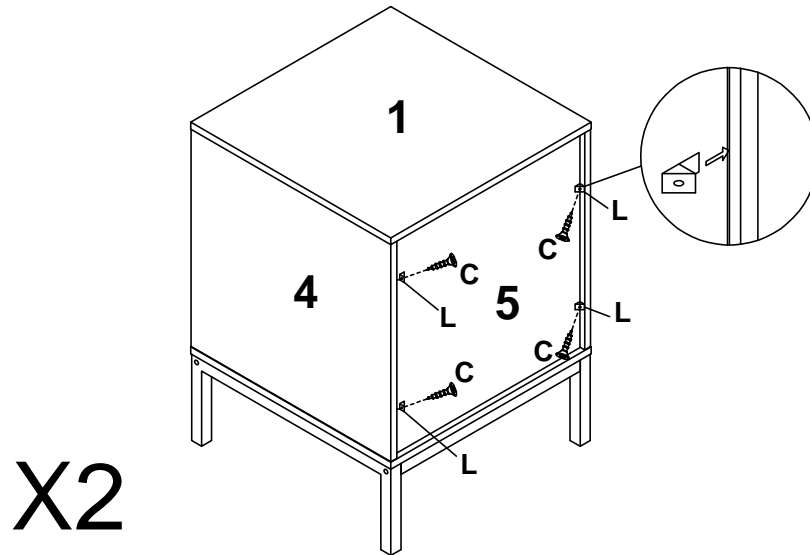
ASSEMBLY

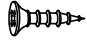
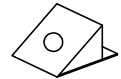
Step 9:



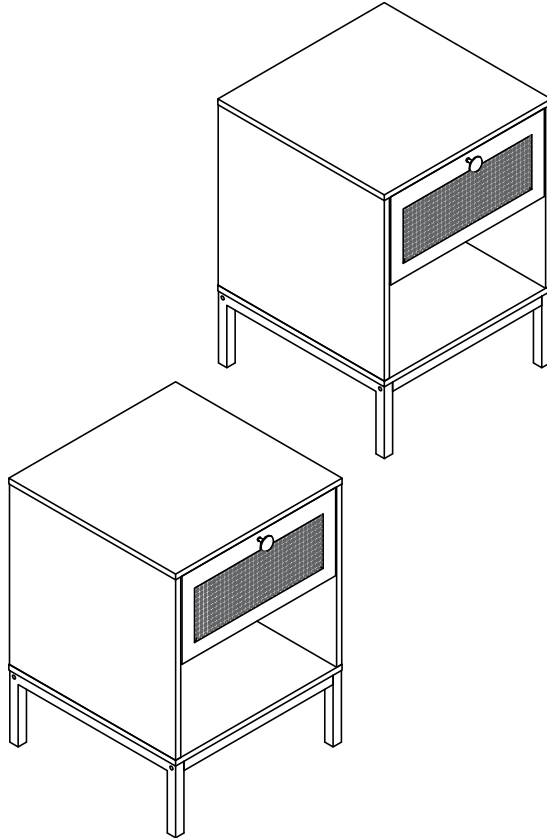
ASSEMBLY

Step 10:



C M3.5x12  x8	L  x8
---	--

Finish !



WARRANTY INFORMATION

- Do not expose the surfaces to direct sunlight or to extreme environmental conditions.
- Clean the surfaces preferable with a clean damp cloth, then dry with a clean towel.
- Do not use solvents or abrasive materials to clean the unit. If you decide to use a cleaning agent, test first on an area hidden from view.
- Replacement parts might be available to you at no charge, with an original proof of purchase and where a defect has arisen, wholly or substantially, as a result of faulty manufacturing, parts or workmanship during the Warranty Period.
- The warranty does not extend to regular wear and tear, nor the manufacturer assumes liability for damages or consequences due to accidents, incorrect assembly, negligence, improper use, modifications, or not heeding the above warnings.

Thank you !