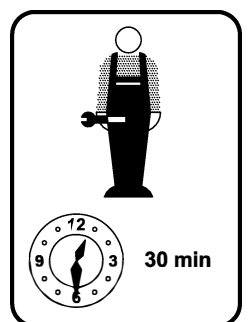
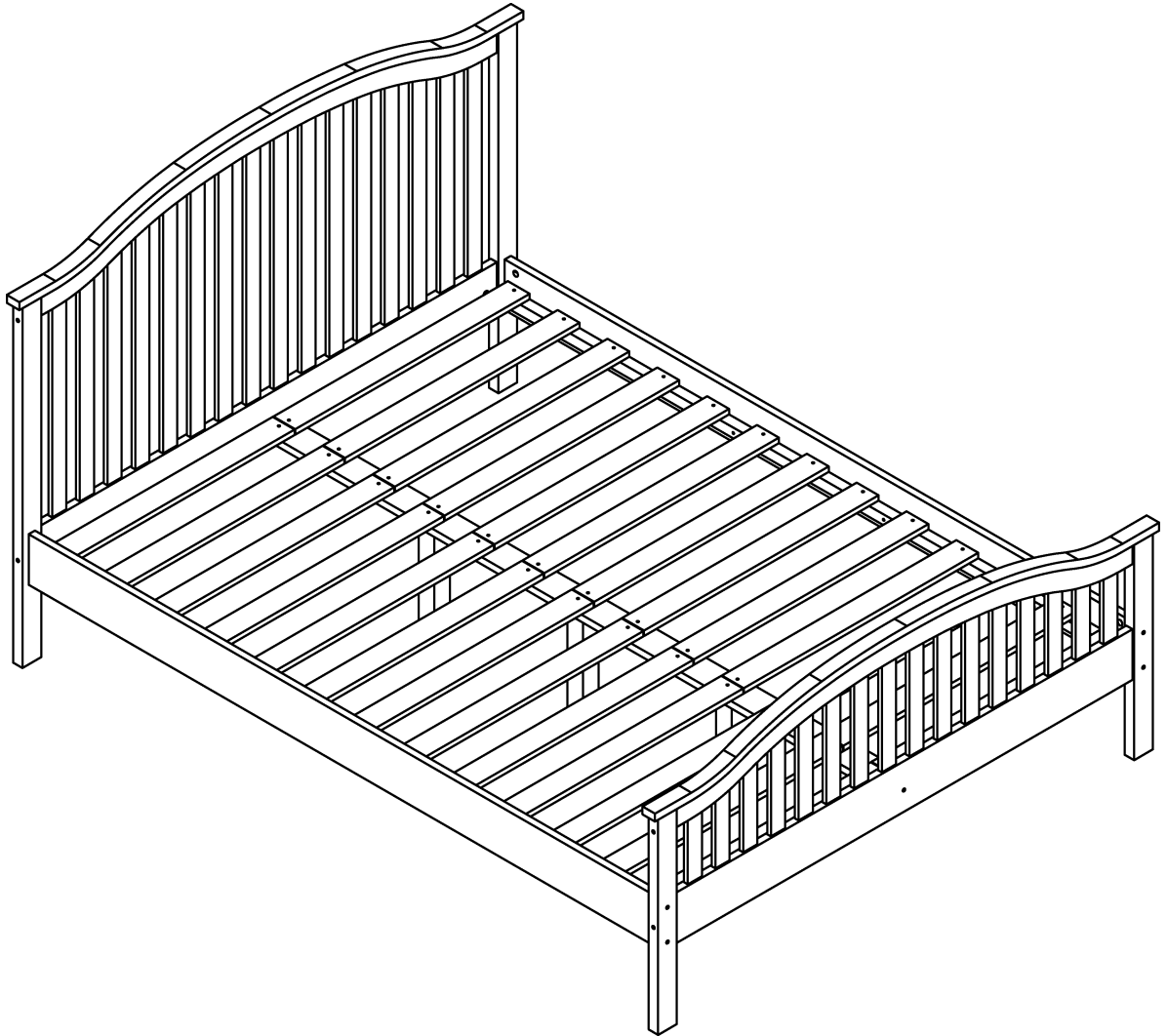
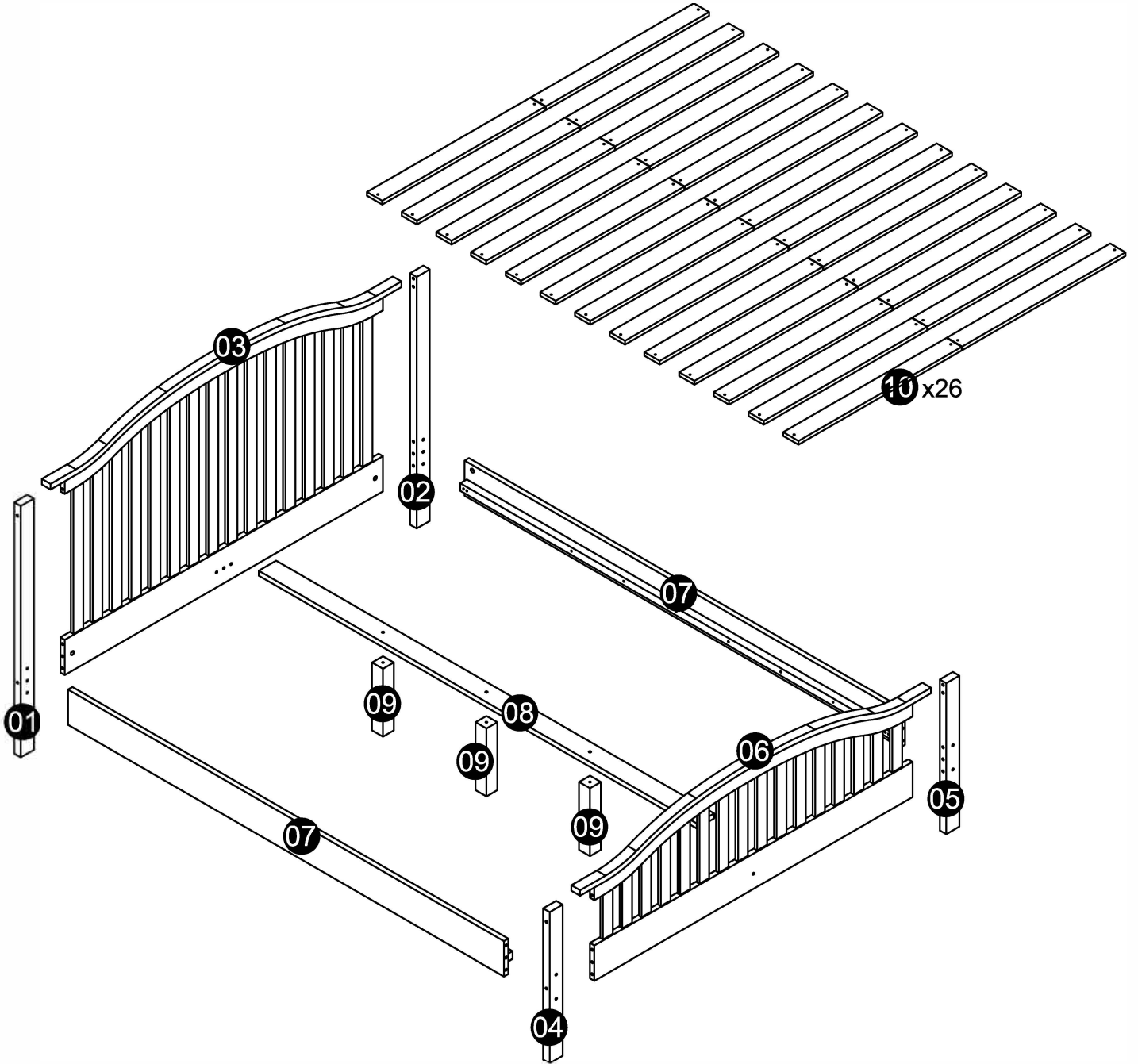





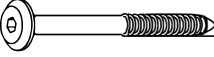

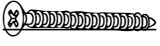
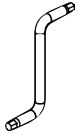

BED



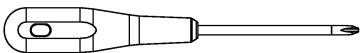
EXPLODED VIEW



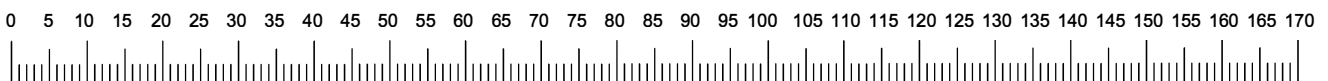
HARDWARE

<p>A x4</p>  <p>M6 x90mm</p>	<p>B x12</p> 	<p>C x20</p>  <p>Ø8 x30mm</p>	<p>D x4</p>  <p>Ø6 x90mm</p>	<p>E x8</p>  <p>M6 x70mm</p>
<p>F x52</p>  <p>Ø4 x30mm</p>	<p>G x1</p> 	<p>H x5</p>  <p>Ø7 x60mm</p>		

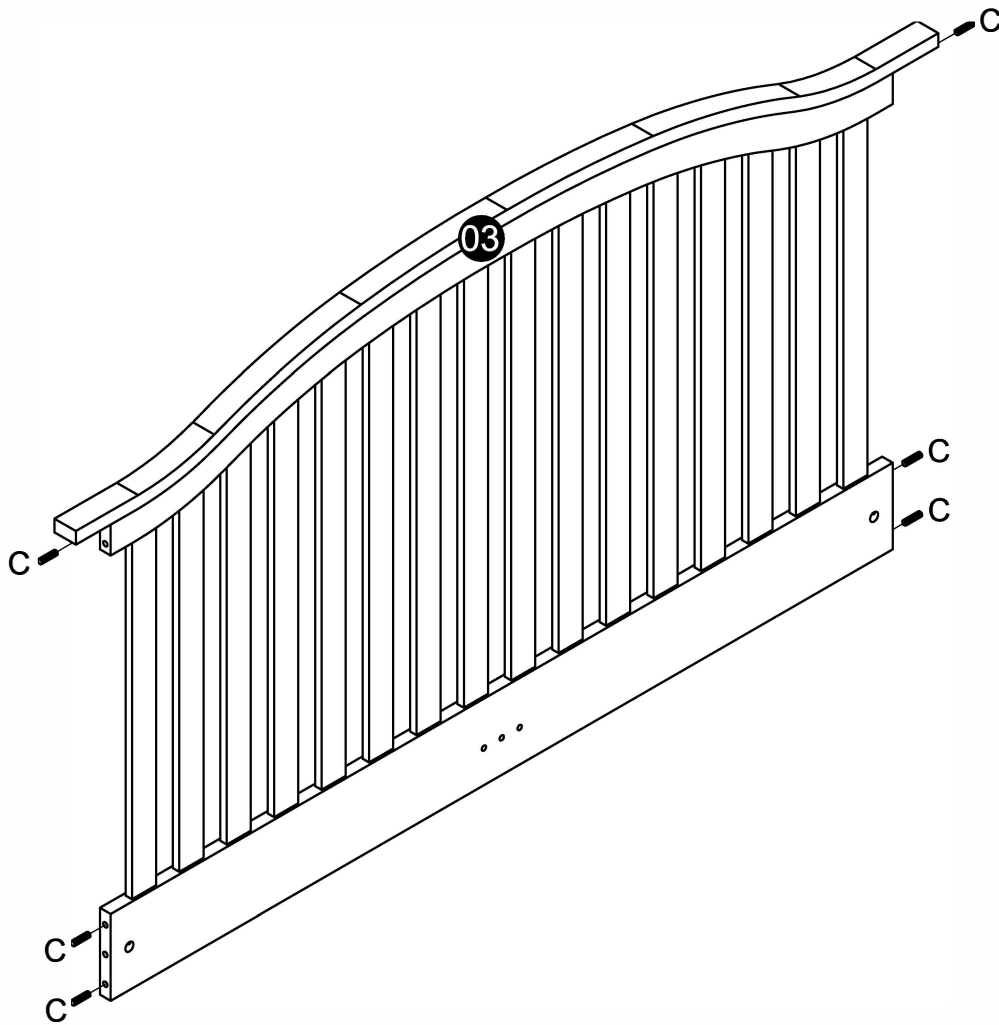
TOOLS




Ruler - Use this ruler to help correctly identify the screws



01

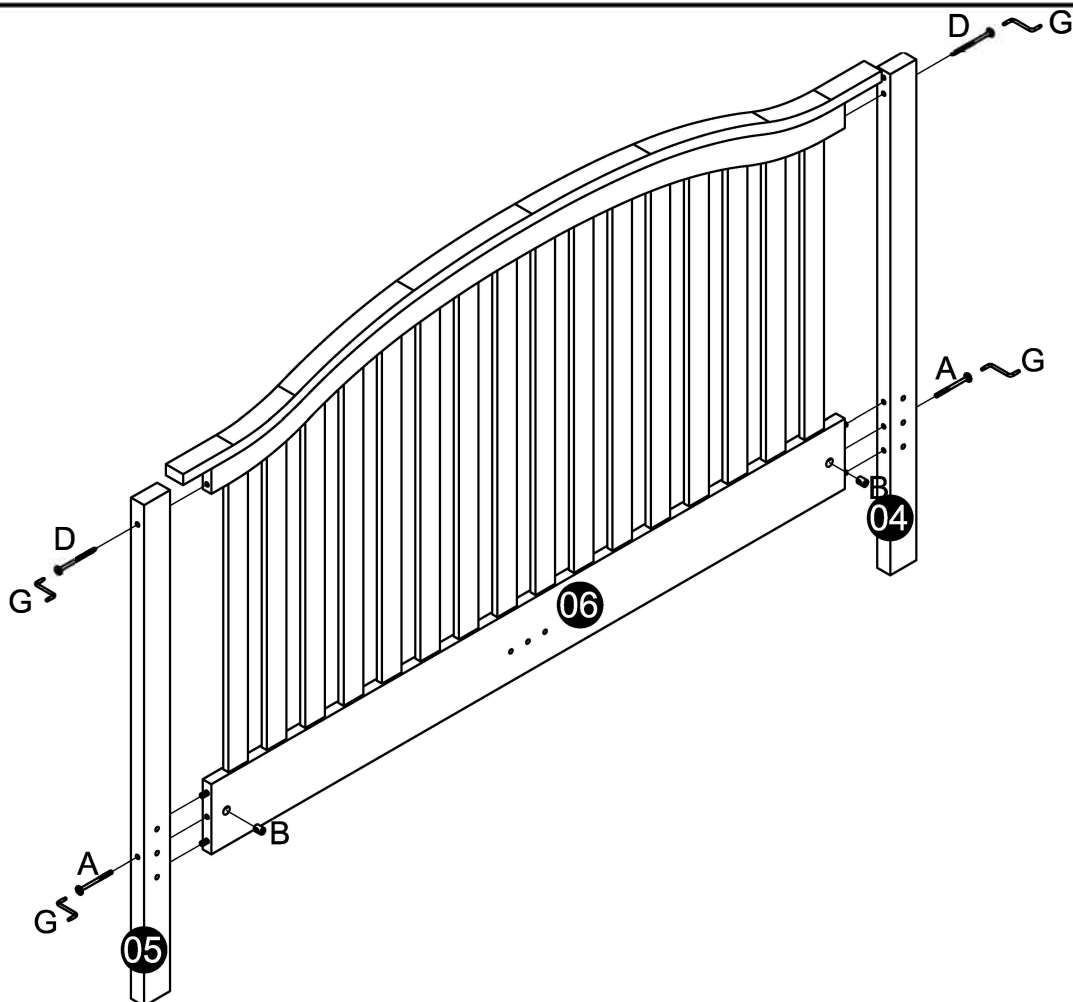


C x6




Ø8 x30mm

02




A x2




M6 x90mm

D x2




Ø6 x90mm

G x1



B x2

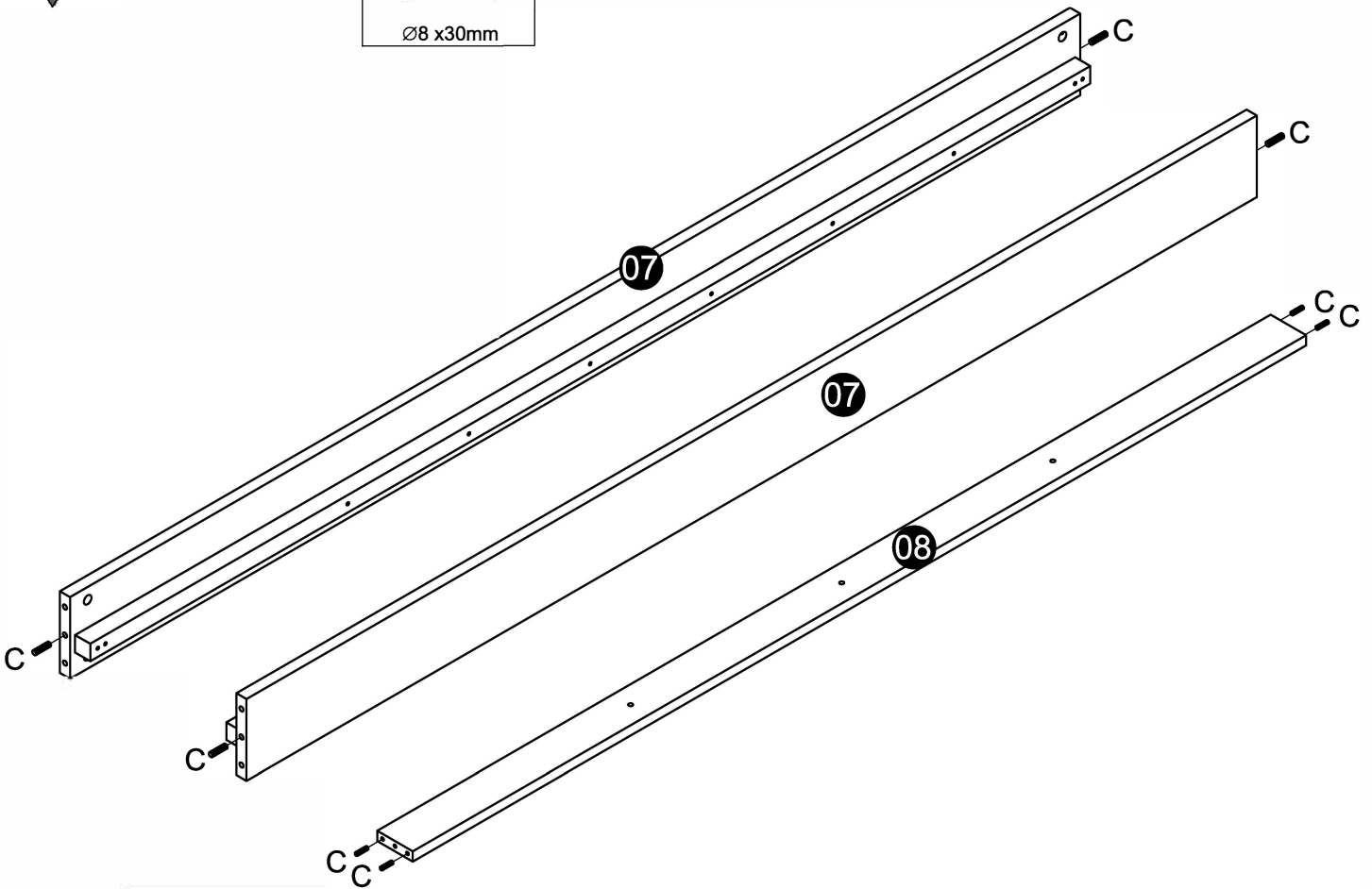


05

C x8



Ø8 x30mm



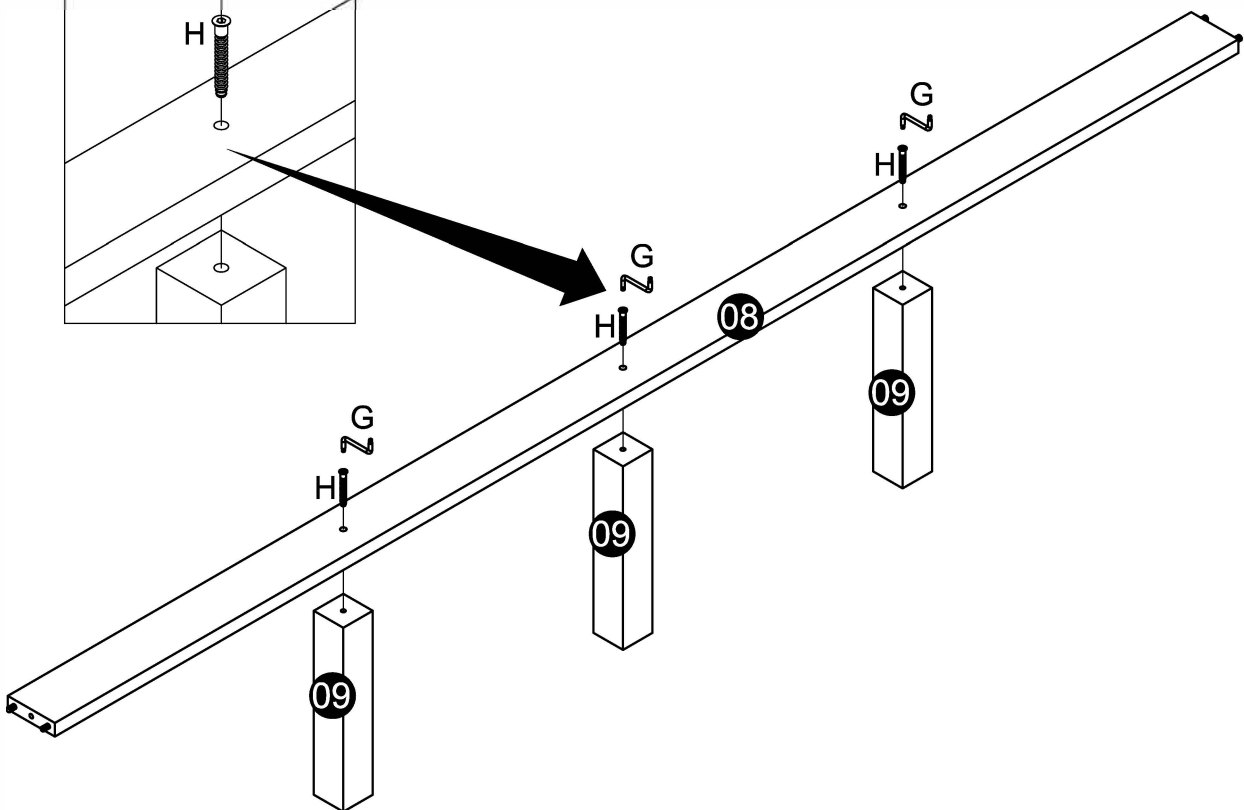
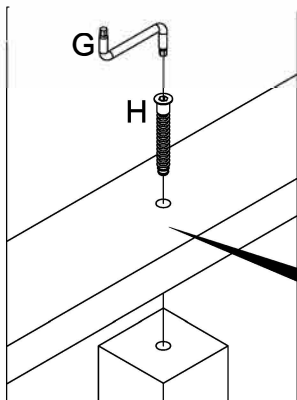
06

H x3



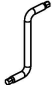



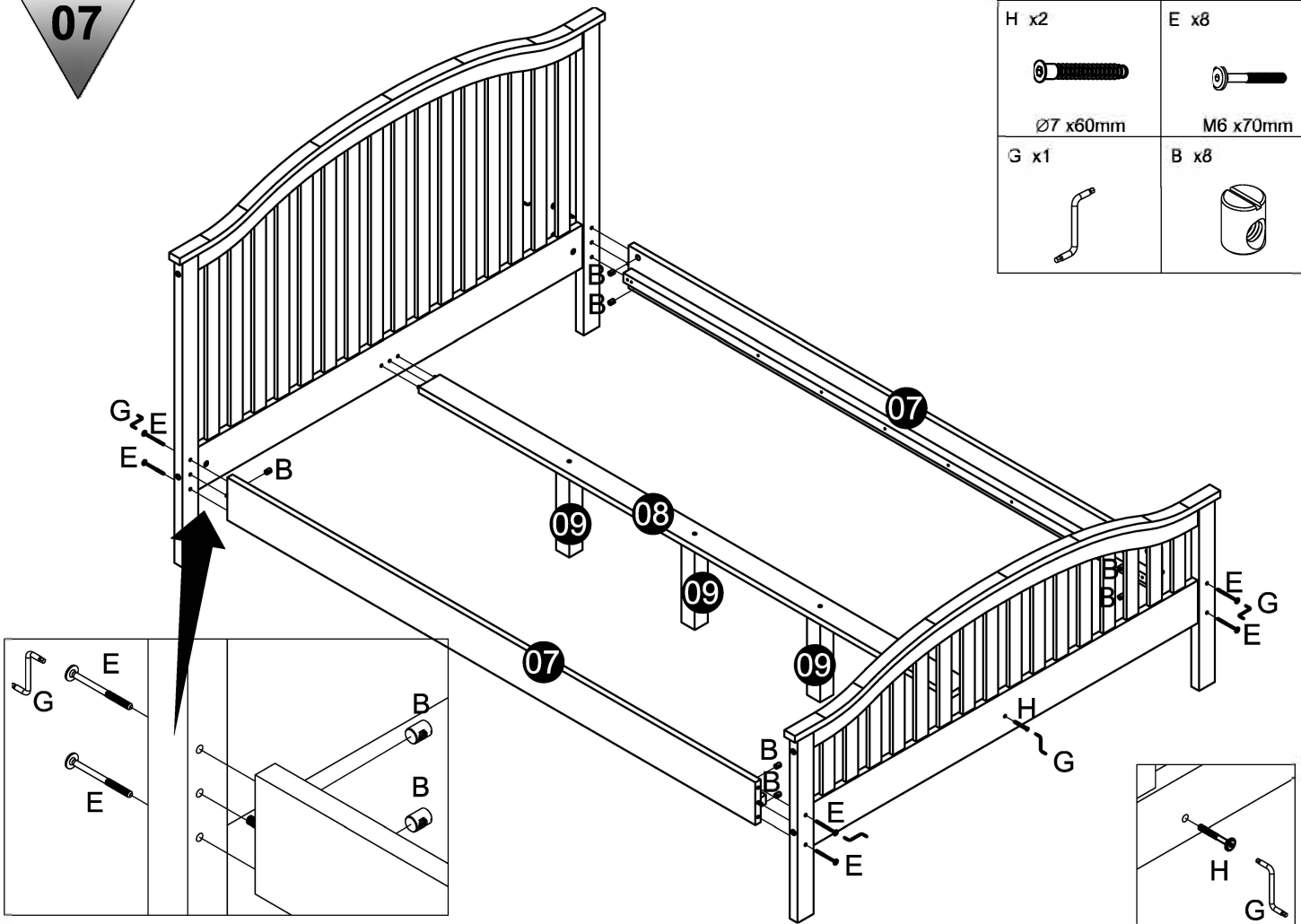
Ø7 x60mm

G x1




07

H x2  Ø7 x60mm	E x8  M6 x70mm
G x1 	B x8 



08

F x52  Ø4 x30mm
--

