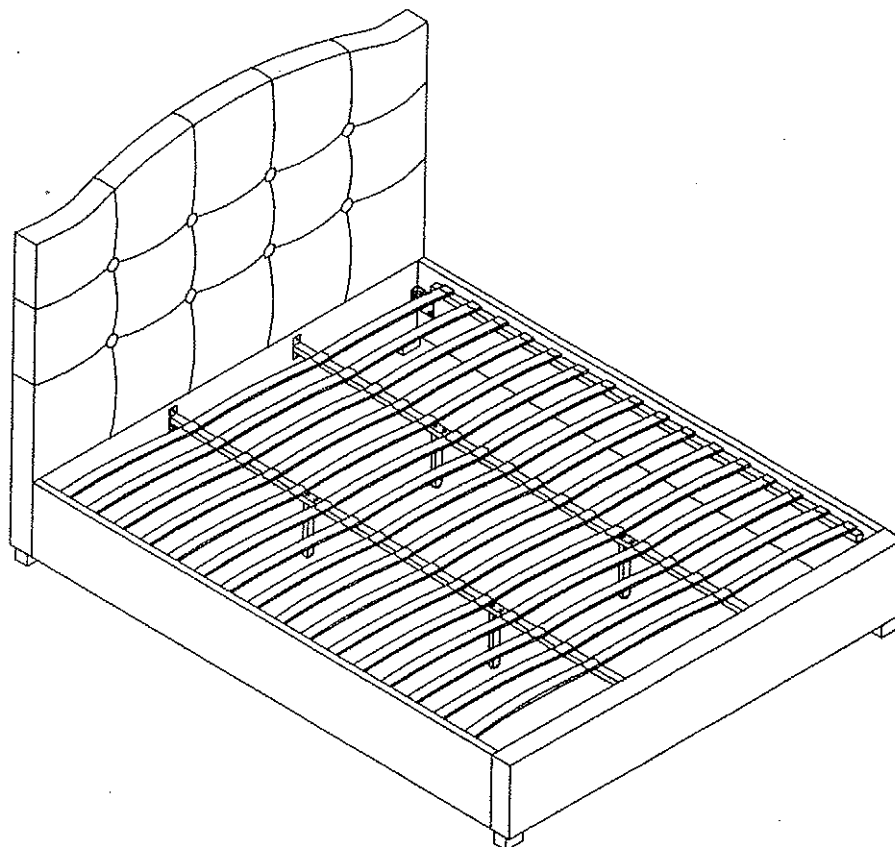









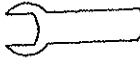
ASSEMBLY INSTRUCTIONS



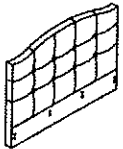
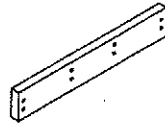







HELPFUL ADVICE PRIOR TO ASSEMBLING THE BED

- 1) OWING TO THE SIZE AND WEIGHT OF THE BED, WE RECOMMEND THAT IT IS ASSEMBLED BY TWO ADULTS, ON A FLAT SURFACE, IN THE ROOM THAT IT IS INTENDED FOR.
- 2) PLEASE DO NOT USE ANY TOOLS OTHER THAN THOSE PROVIDED OR RECOMMENDED IN THESE INSTRUCTIONS.
- 3) PLEASE DO NOT DISCARD ANY PACKAGING UNTIL YOU HAVE CHECKED THAT YOU HAVE ALL THE PARTS AND FITTINGS. KEEP ALL FITTINGS OUT OF REACH OF CHILDREN
- 4) DO NOT FULLY TIGHTEN ALL SCREWS AND BOLTS UNTIL THE ENTIRE ITEM IS COMPLETELY ASSEMBLED DEPENDING ON USE, IT MAYBE NECESSARY TO TIGHTEN FROM TIME TO TIME, SO PLEASE SAVE YOUR ALLEN KEY AND SPANNER THAT HAS BEEN PROVIDED

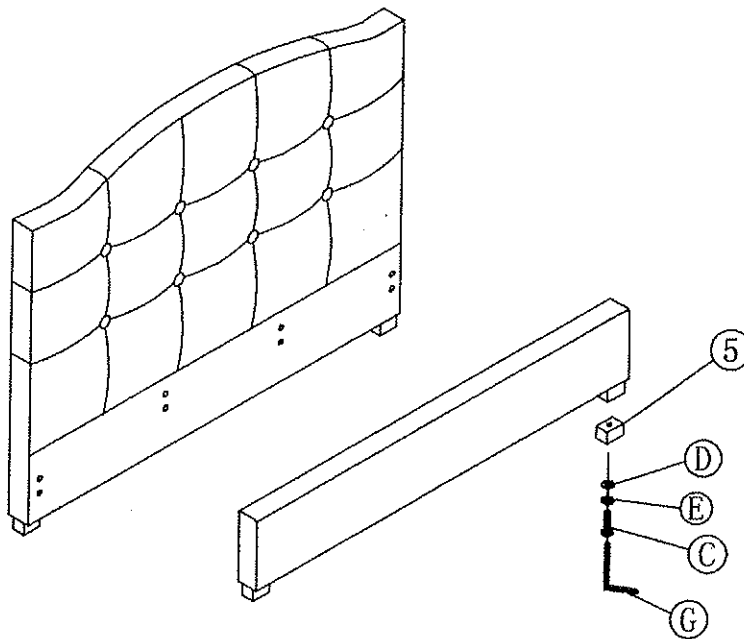
Hardware List

A. BOLT 8PCS  M8*25mm	B. BOLT 16PCS  M8*40mm	C. BOLT 4PCS  M8*50mm	D. FLAT WASHER 28PCS  M8
E. SPRING WASHER 28PCS  M8	F. NUT 8PCS  M8	G. ALLEN KEY 1PC  M5	H. SPANNER 1PC 

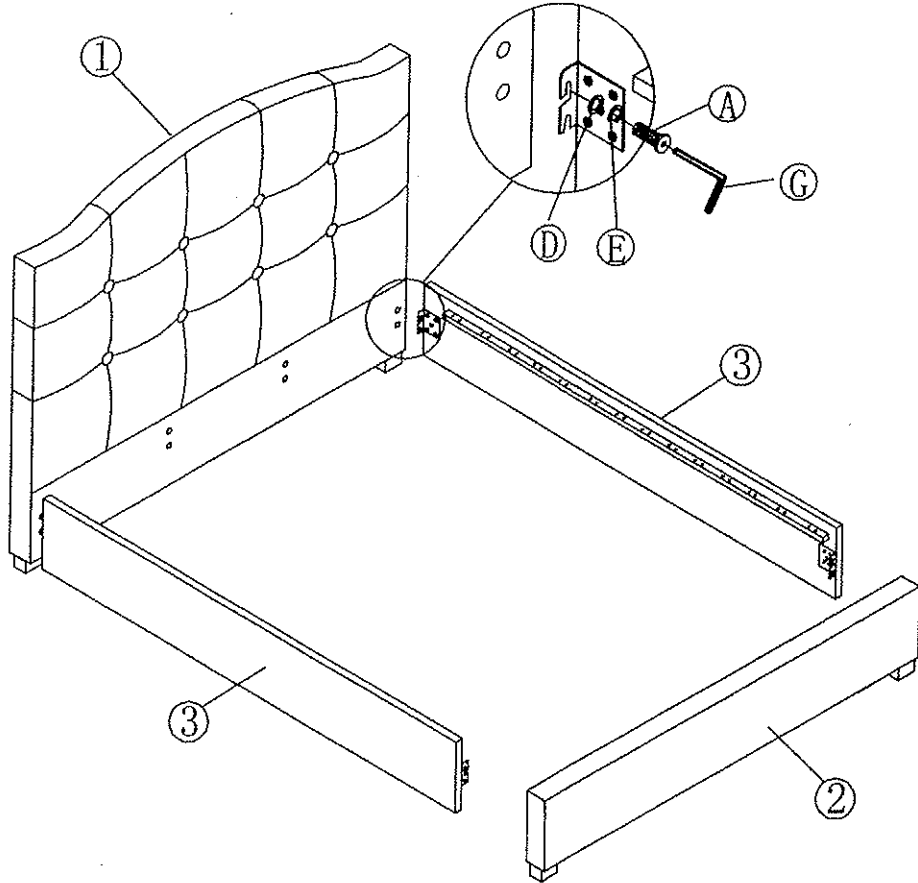
Parts List

1. HEADBOARD 1PC 	2. FOOTBOARD 1PC 	3. SIDE RAIL 2PCS 	4. CENTRE SUPPORT RAIL 2PCS 	5. BUN FOOT 4PCS 
6. CENTRE SUPPORT LEG 4PCS 	7. SLATS 48PCS 	8. CENTRE PLASTIC SLAT CAP 32PCS 	9. SIDE PLASTIC SLAT CAP 32PCS 	

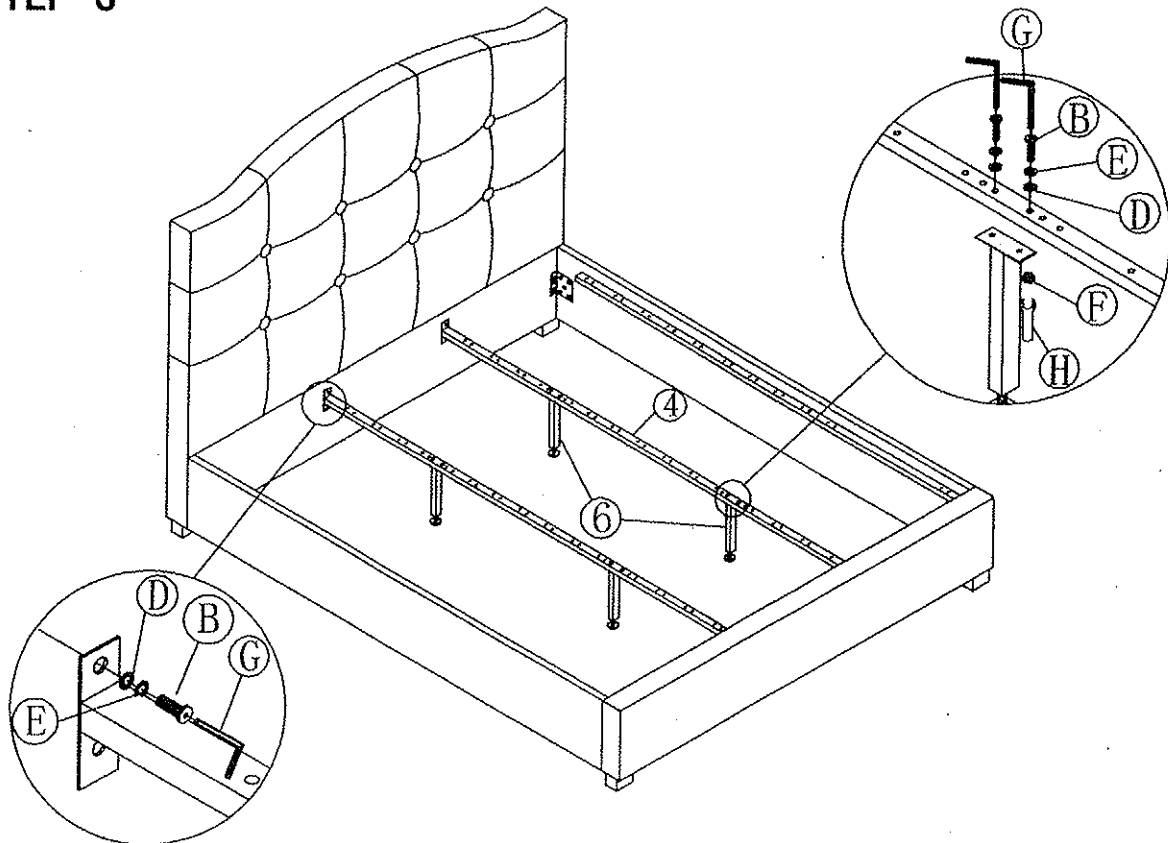
STEP 1



STEP 2



STEP 3



STEP 4

