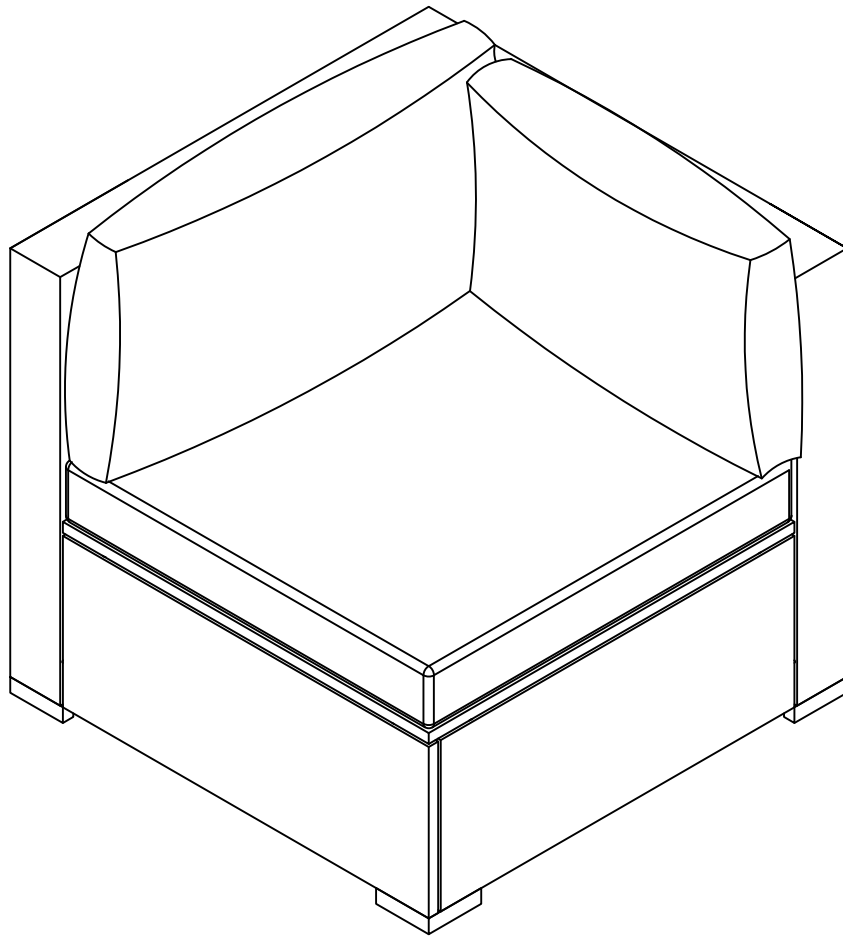


CORNER CHAIR



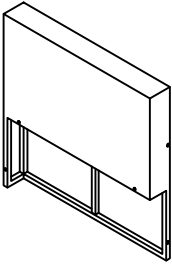
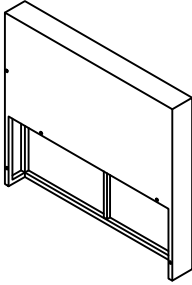
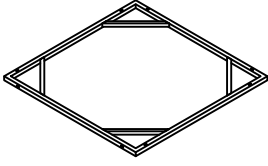
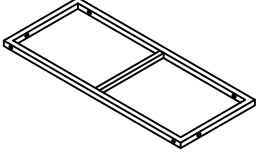
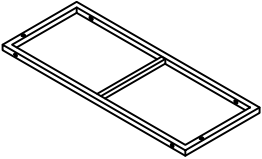
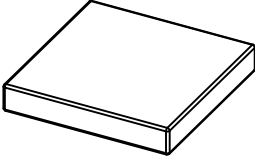
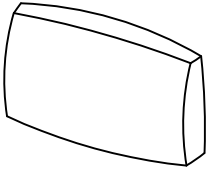
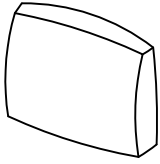
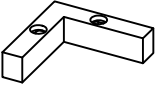
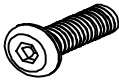


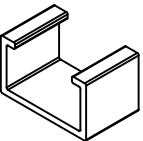
ATTENTION Section:

1. If you encounter any issues, such as missing accessories or damaged parts, please contact us immediately and include pictures (email:jm@nicesoulfurniture.com)


Assembly Instructions:

1. Assembly requires two people to complete.
2. For optimal assembly, we highly recommend using the provided Allen key. If using a power tool, please set it to a low speed to prevent any damage
3. Do not fully tighten the screws until all screws are properly aligned with their holes.

PARTS LIST OF BOX

<p>A</p>  <p>70cm/27.5in 1pc</p>	<p>B</p>  <p>80cm/31.5in 1pc</p>	<p>C</p>  <p>1pc</p>	<p>D</p>  <p>68cm/26.7in 1pc</p>
<p>E</p>  <p>70cm/27.5in 1pc</p>	<p>N</p>  <p>1pc</p>	<p>O</p>  <p>1pc</p>	<p>P</p>  <p>1pc</p>
<p>G</p>  <p>4pcs</p>	<p>F</p>  <p>M6*35 22pcs</p>	<p>W</p>  <p>M6 14pcs</p>	<p>H</p>  <p>M6 1pc</p>
<p>P</p>  <p>2pcs</p>			

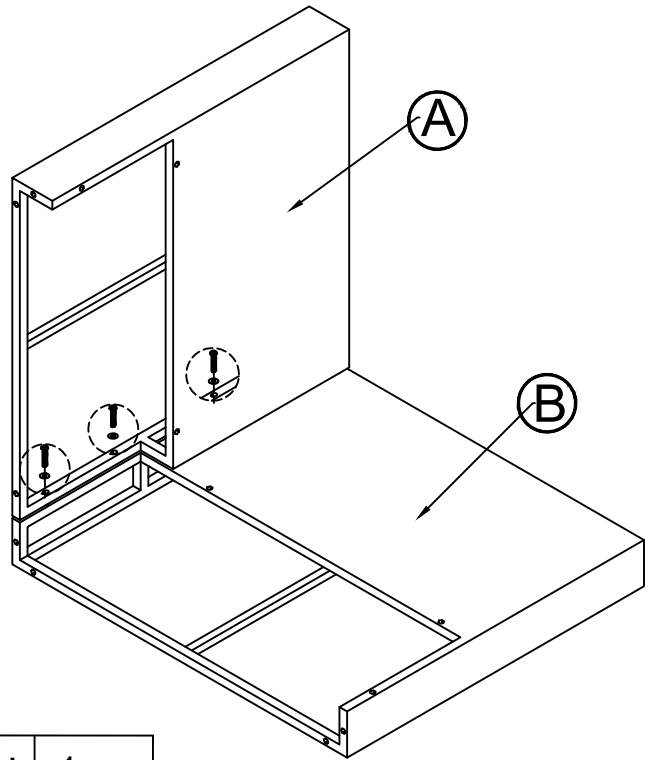
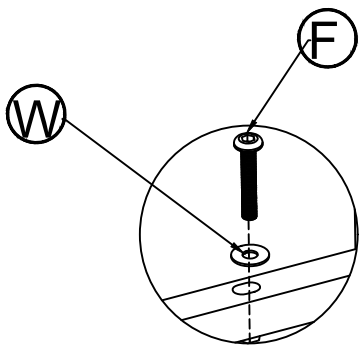


 **Corner chair Installation Video**



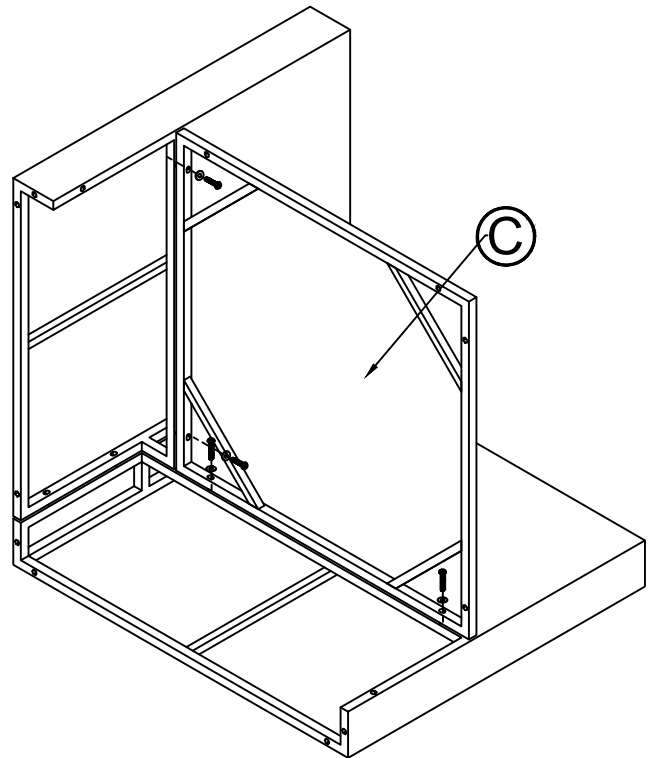
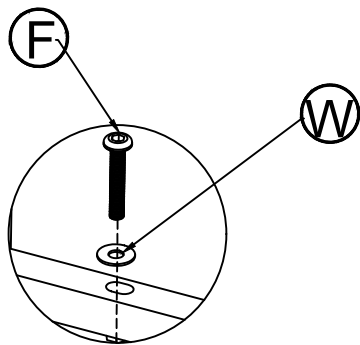
Scan the QR to watch the installation video

STEP 1



A	1pc	B	1pc	F	3pcs	W	3pcs	H	1pc
					M6*35	M6	M6		

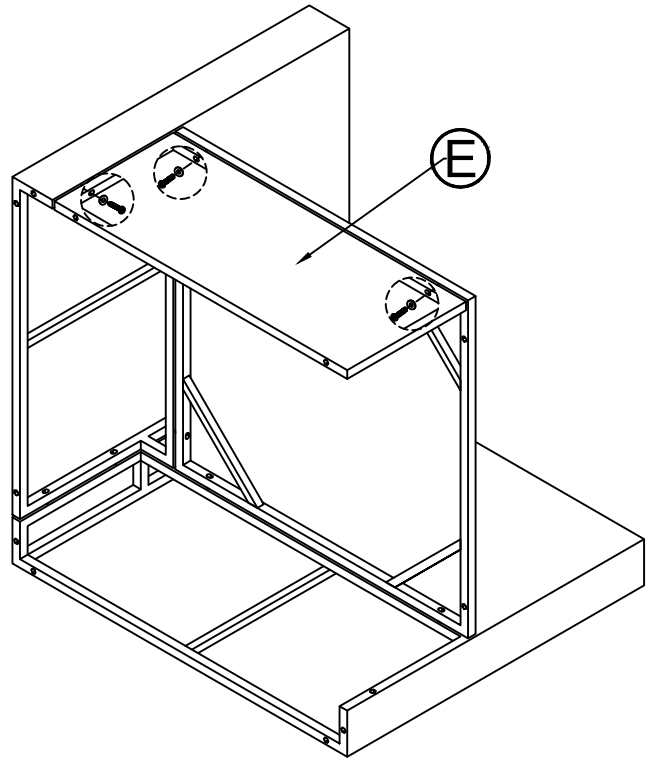
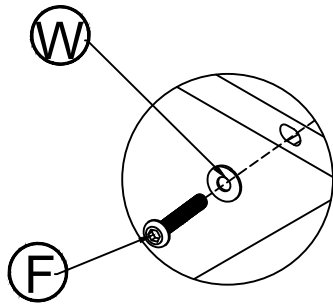
STEP 2







C	1pc	F	4pcs	W	4pcs	H	1pc
				M6*35	M6	M6	

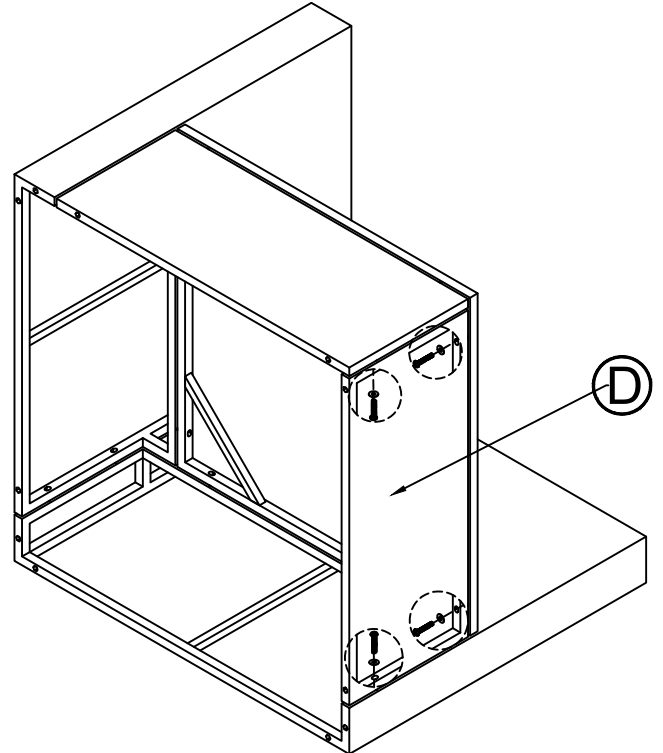
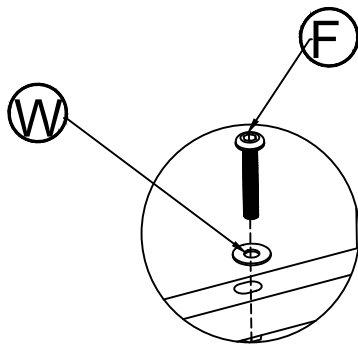
Do not fully tighten all screws until assembly is completed.





STEP 3



E	1pc	F	3pcs	W	3pcs	H	1pc
							
		M6*35		M6		M6	

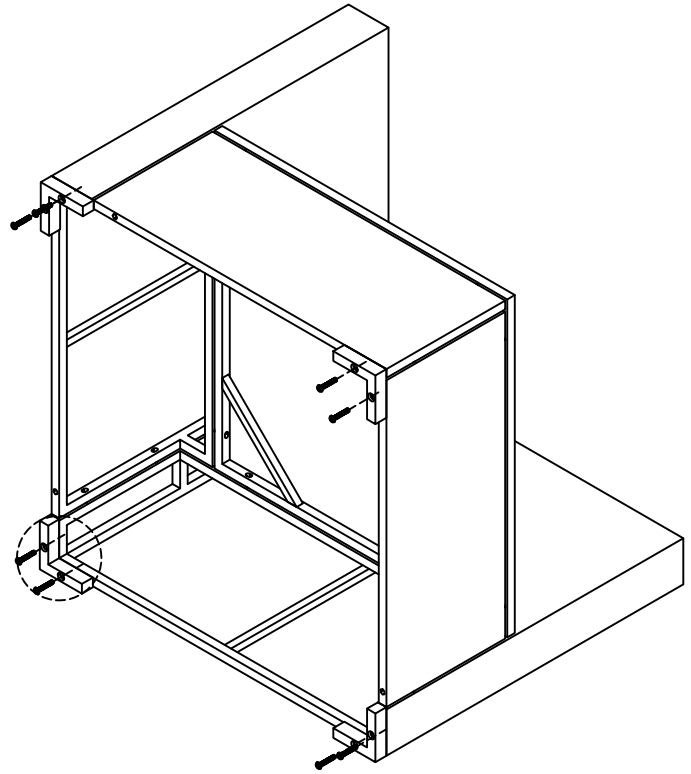
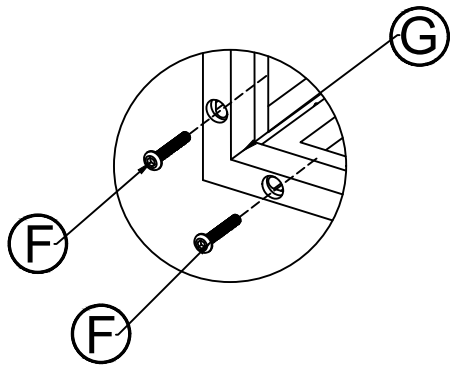
STEP 4



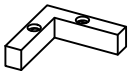
D	1pc	F	4pcs	W	4pcs	H	1pc
							
		M6*35		M6		M6	

Do not fully tighten all screws until assembly is completed.

STEP 5



G	4pcs	F	8pcs	H	1pc
---	------	---	------	---	-----

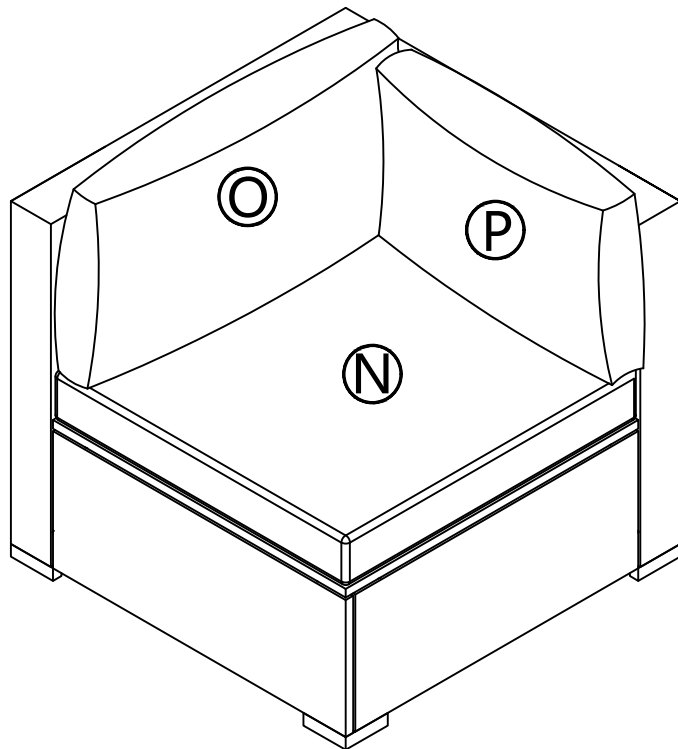


M6*35

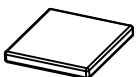


M6

STEP 6

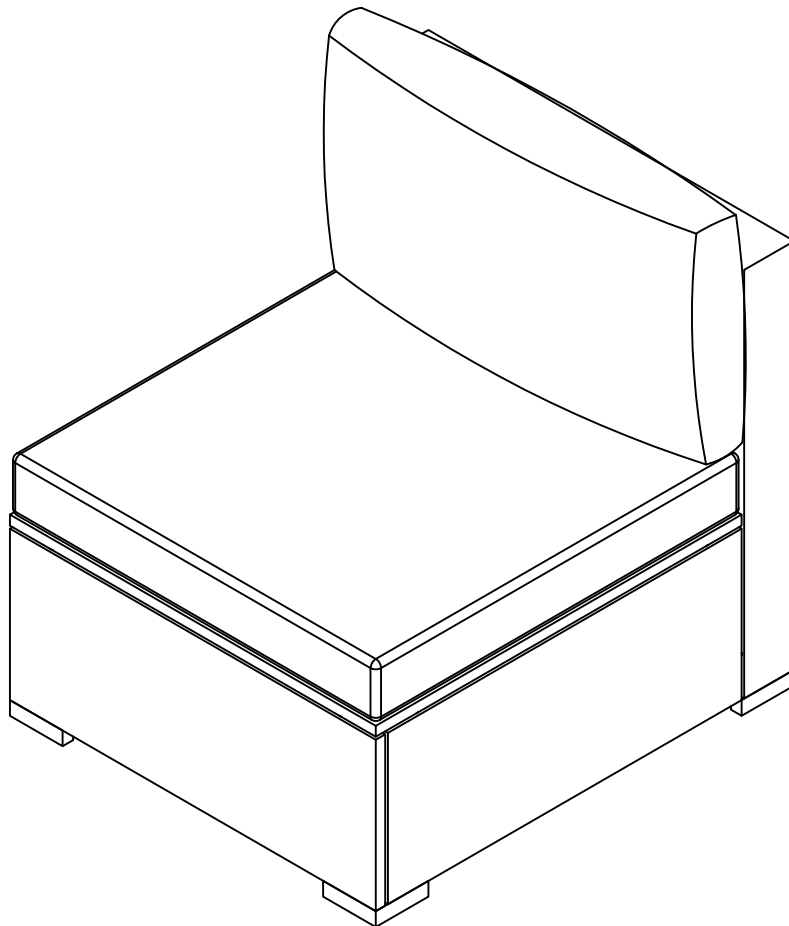


N	1pc	O	1pc	P	1pc
---	-----	---	-----	---	-----



Do not fully tighten all screws until assembly is completed.

ARMLESS CHAIR



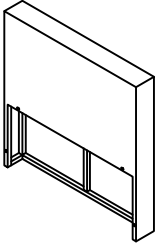
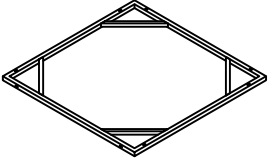
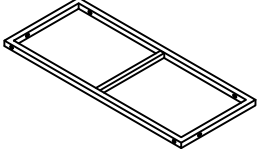
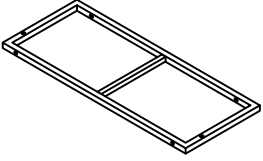
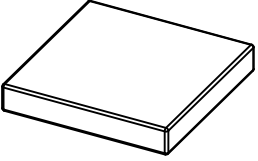
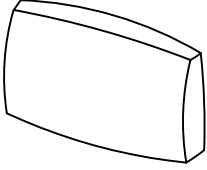
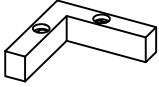
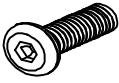


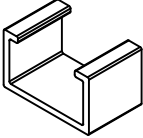
ATTENTION Section:

1. If you encounter any issues, such as missing accessories or damaged parts, please contact us immediately and include pictures (email:jm@nicesoulfurniture.com)


Assembly Instructions:

1. Assembly requires two people to complete.
2. For optimal assembly, we highly recommend using the provided Allen key.
If using a power tool, please set it to a low speed to prevent any damage
3. Do not fully tighten the screws until all screws are properly aligned with their holes.

PARTS LIST OF BOX

<p>I</p>  <p>70cm/27.5in 2pcs</p>	<p>J</p>  <p>2pcs</p>	<p>D</p>  <p>68cm/26.7in 4pcs</p>	<p>K</p>  <p>70cm/27.5in 2pcs</p>
<p>N</p>  <p>2pcs</p>	<p>O</p>  <p>2pcs</p>	<p>G</p>  <p>8pcs</p>	<p>F</p>  <p>M6*35 40pcs</p>
<p>W</p>  <p>M6 24pcs</p>	<p>H</p>  <p>M6 2pcs</p>	<p>P</p>  <p>4pcs</p>	



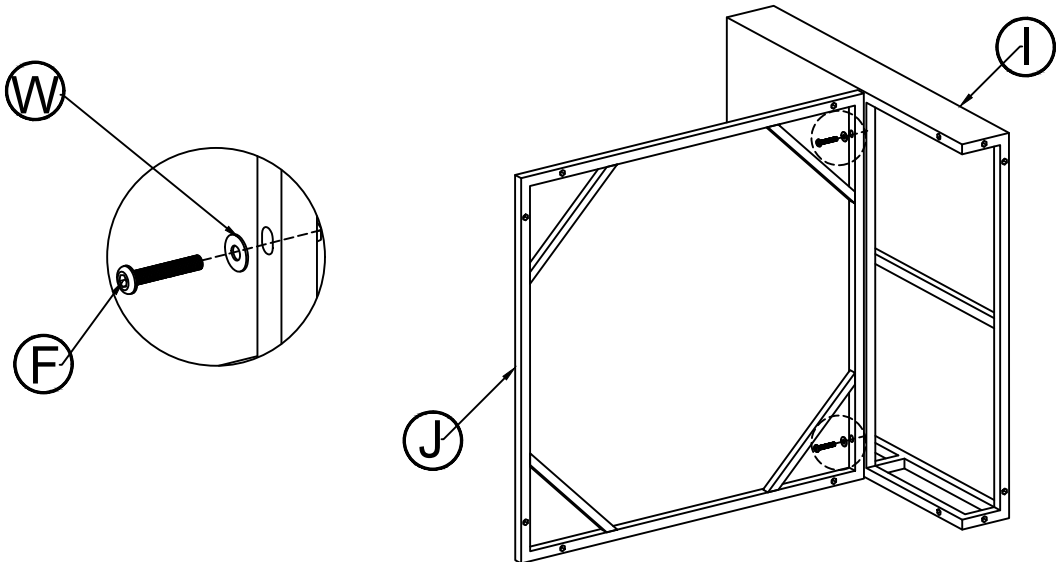
 **Armless chair Installation Video**

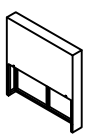






Scan the QR to watch the installation video

STEP 1

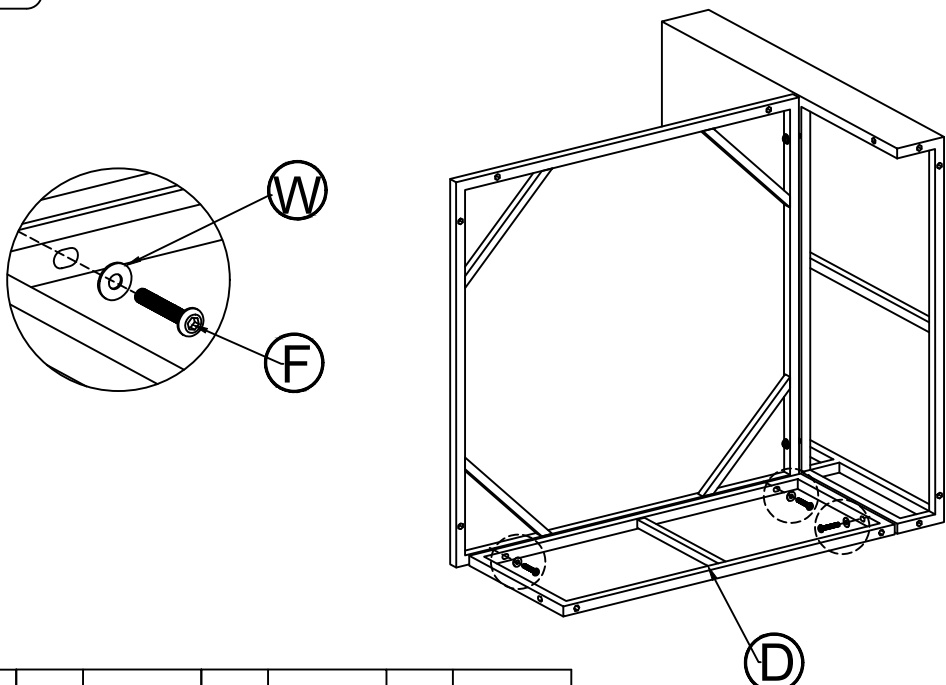
x2

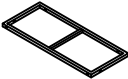





I	1pc	J	1pc	F	2pcs	W	2pcs	H	1pc
				 M6*35		 M6		 M6	

STEP 2

x2

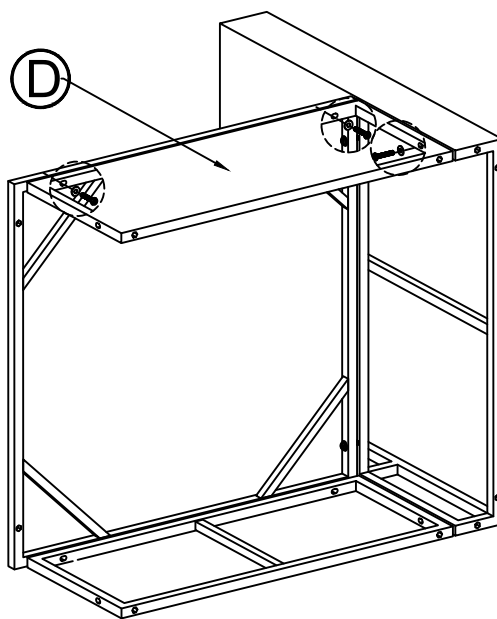
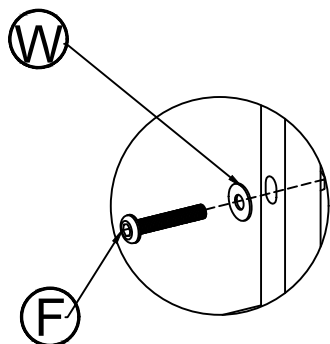


D	1pc	F	3pcs	W	3pcs	H	1pc
		 M6*35		 M6		 M6	

Do not fully tighten all screws until assembly is completed.

STEP 3

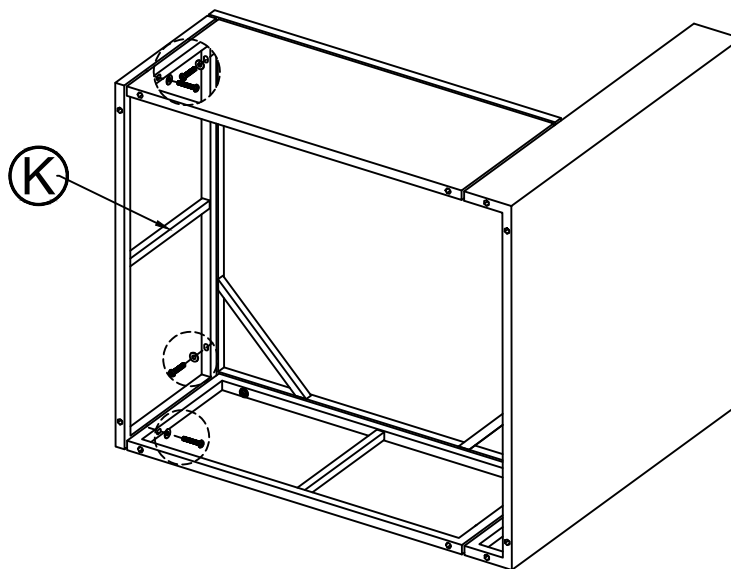
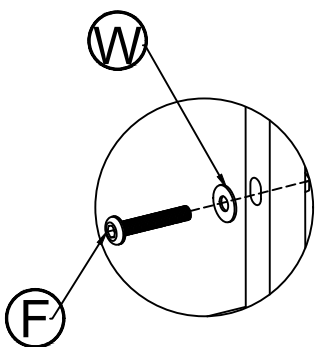
x2



D	1pc	F	3pcs	W	3pcs	H	1pc
		M6*35		M6		M6	

STEP 4

x2

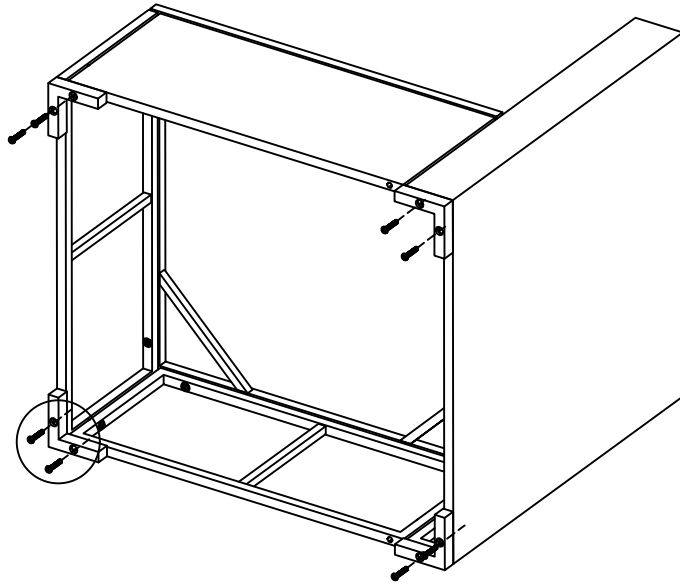
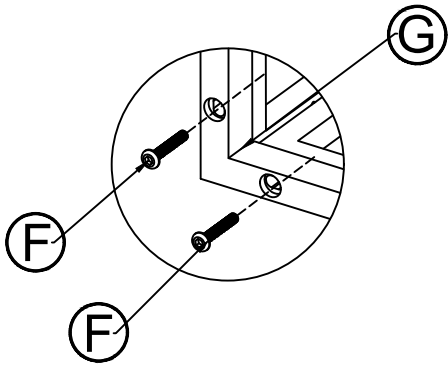


K	1pc	F	4pcs	W	4pcs	H	1pc
		M6*35		M6		M6	

Do not fully tighten all screws until assembly is completed.

STEP 5

x2



G	4pcs	F	8pcs	H	1pc
---	------	---	------	---	-----



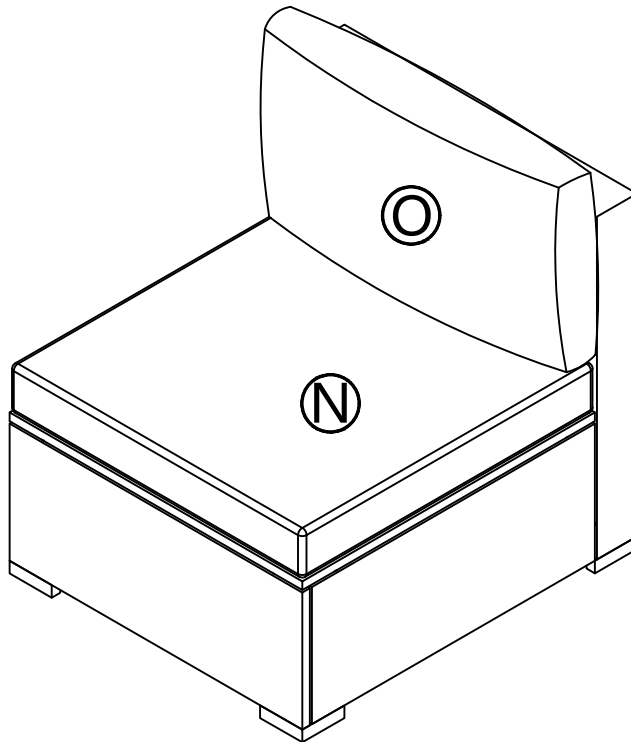
M6*35



M6

STEP 6

x2



N	1pc	O	1pc
---	-----	---	-----



Do not fully tighten all screws until assembly is completed.