

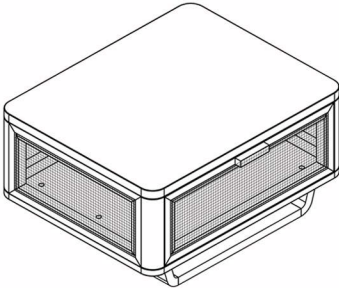
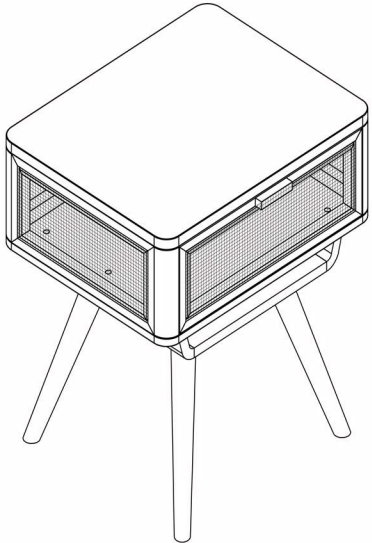
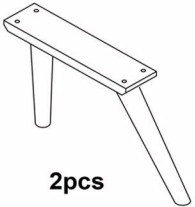


Assembly Instructions

Harmonie Cane End Table

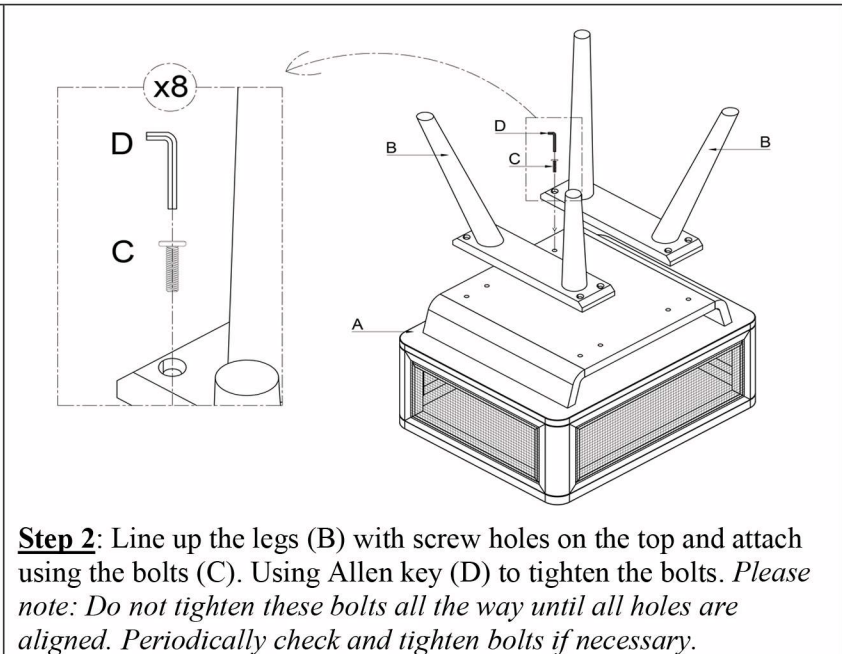
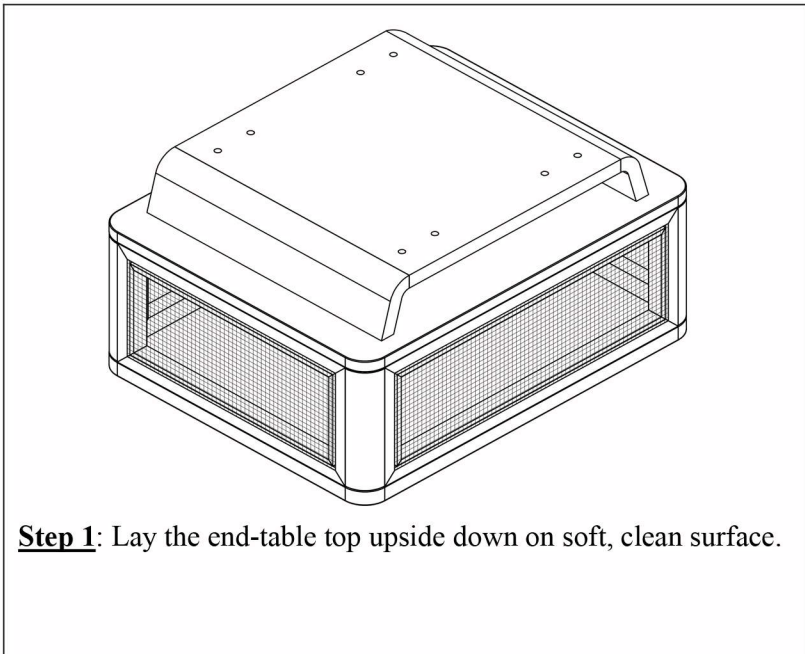
Before assembling, please read this instruction carefully and keep for future reference:

1. Refer to parts inventory for guidance and ensure you have all pieces before starting
2. Please check the condition of all the parts. If any damage or lost parts is found, please contact us immediately.
3. Be careful of the heavy board.
4. Handle with care and place all parts on a soft, clean and flat surface such as a carpet to prevent damaging/scratches.
5. Recommended # number of people needed for assembly: 2

List of parts/hardware:

A: End Table 			Finished product 
B: Leg  2pcs	C: Bolts M6 x 30  8pcs	D: Allen key 4x30x58  1pc	

Installation Steps:



Maximum load capacity:

	MAX Load Capacity
Total weight capacity	40 LBS
Storage	20 LBS
Niche storage	5 LBS

Disclaimer: Install the End Table unit following instructions provided. We and its related companies are not responsible for injury or damage resulting from incorrect installation or use. Product are for use only as End Table under included MAX Load Capacity and are not designed for any different purposes. Max load capacity only applies when all the legs are installed correctly and stand evenly on the floor.