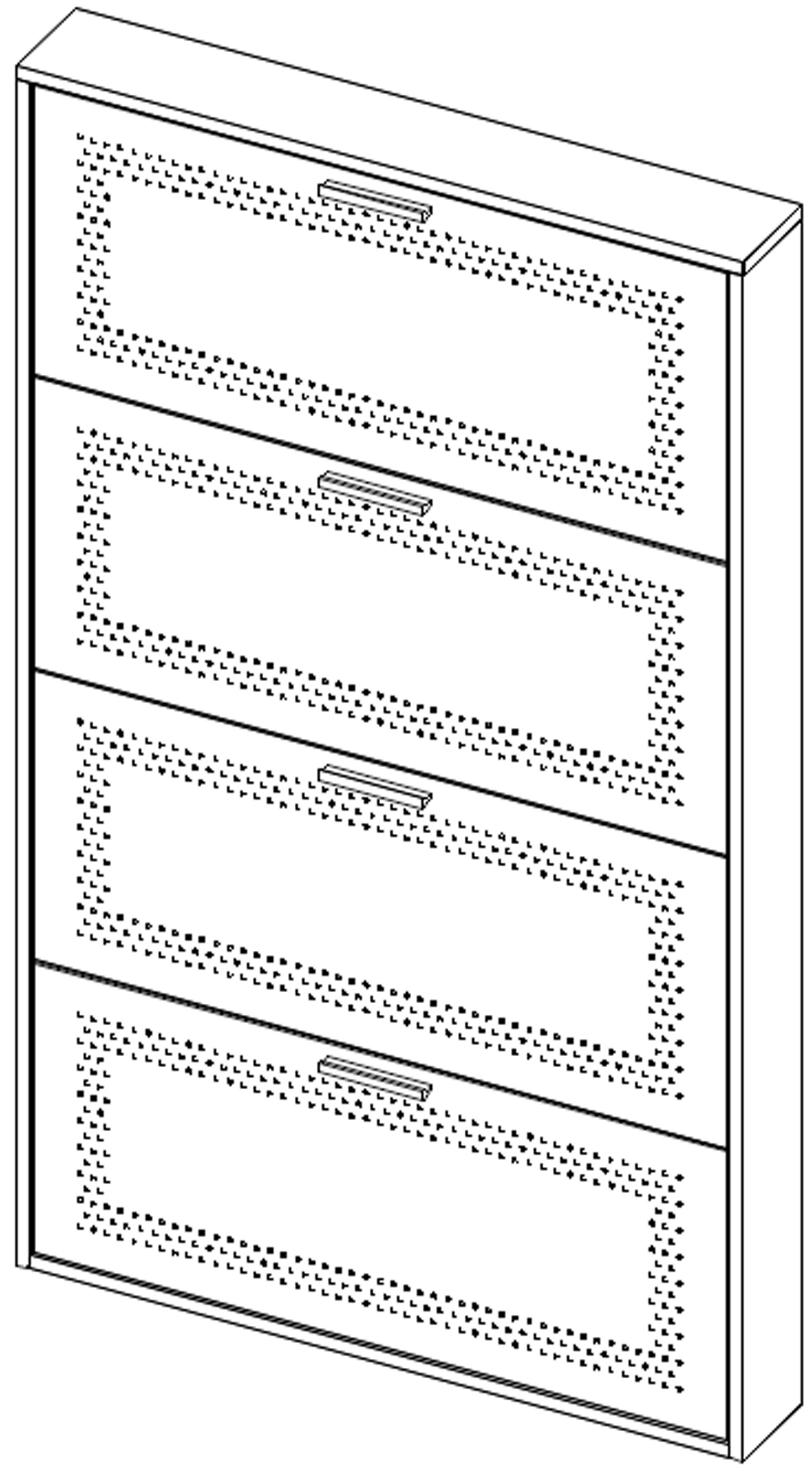
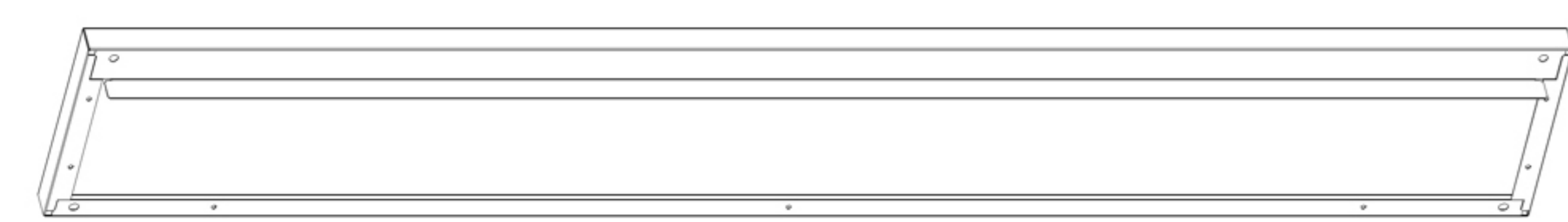
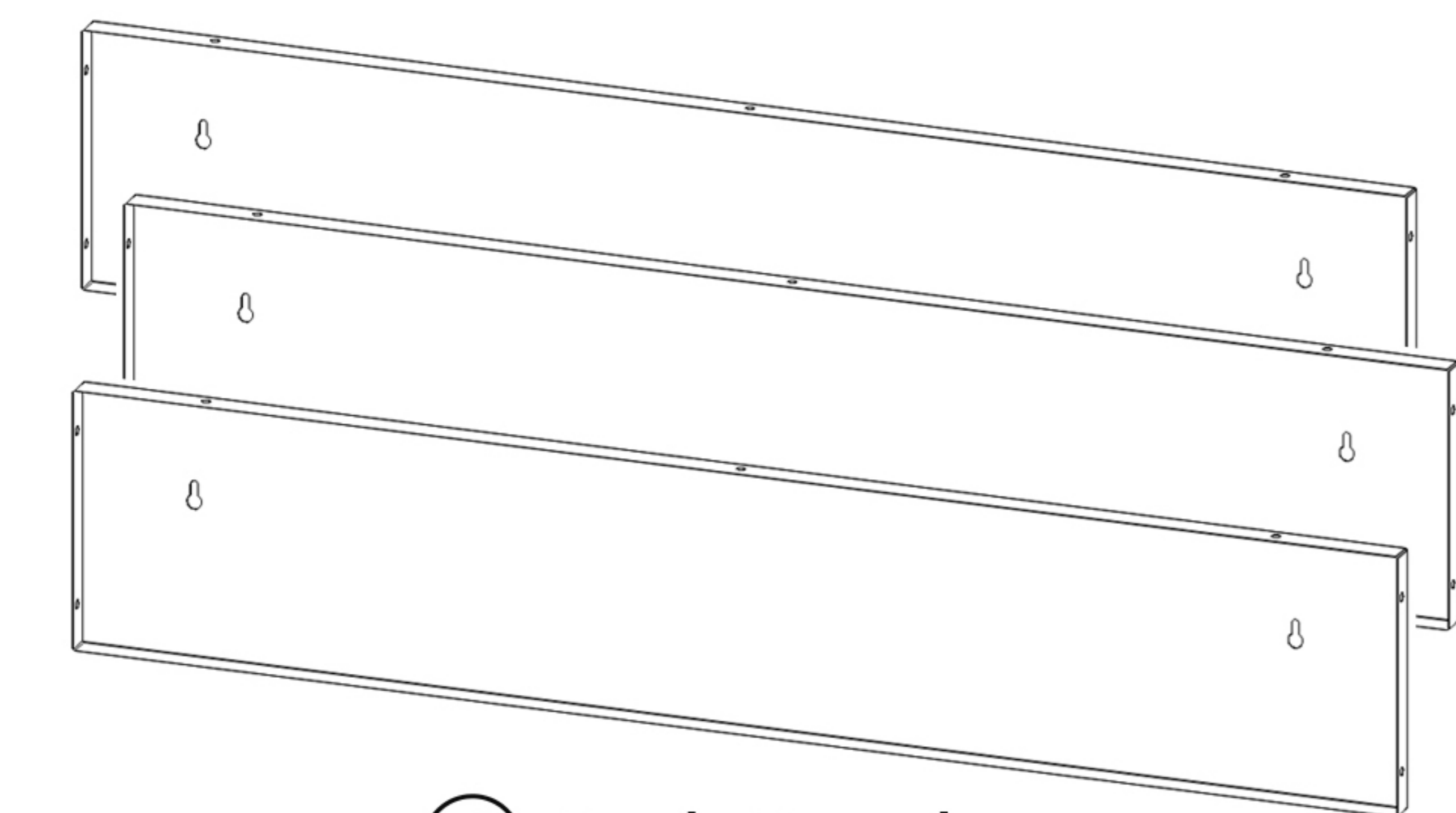


# Flip Shoe Cabinet Installation Manual

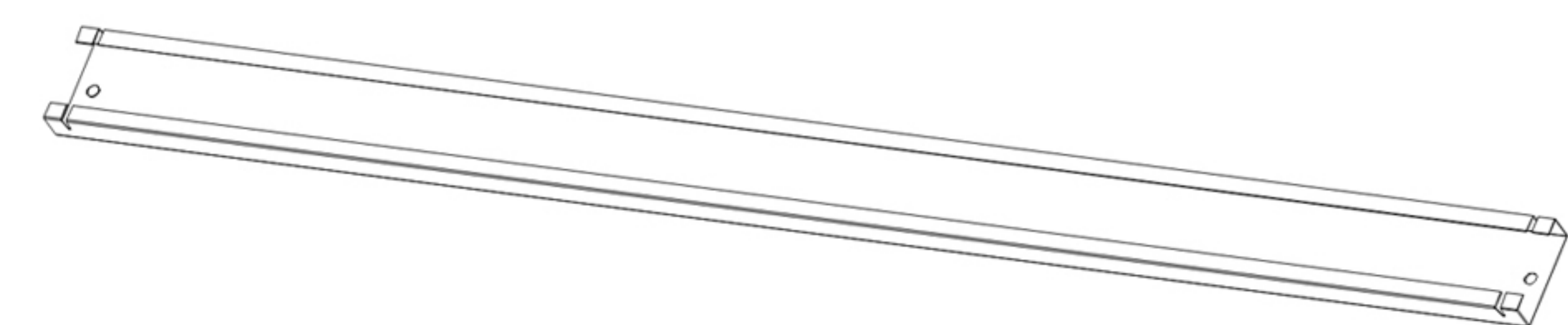




① Top Panel



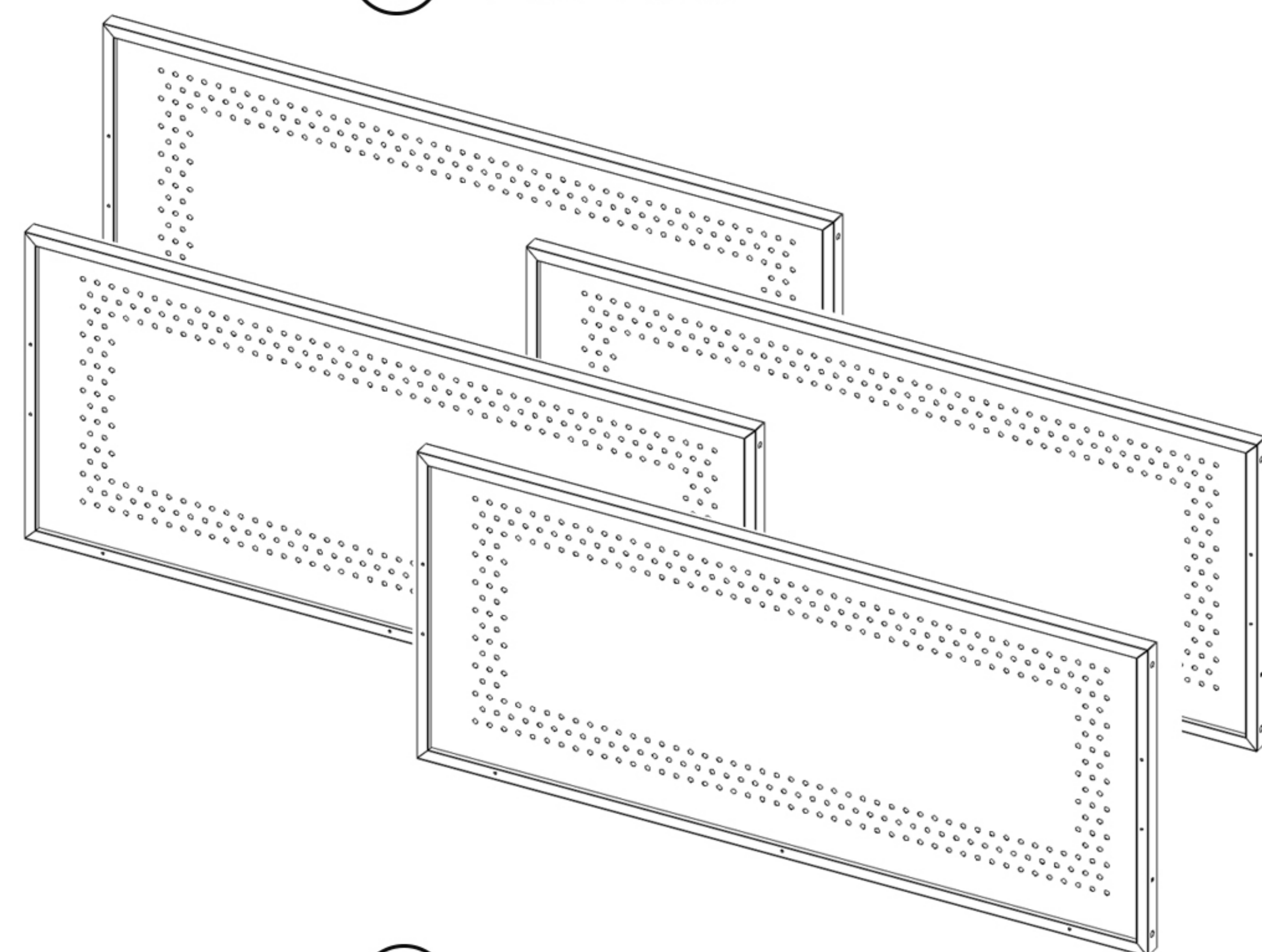
④ Back Panel



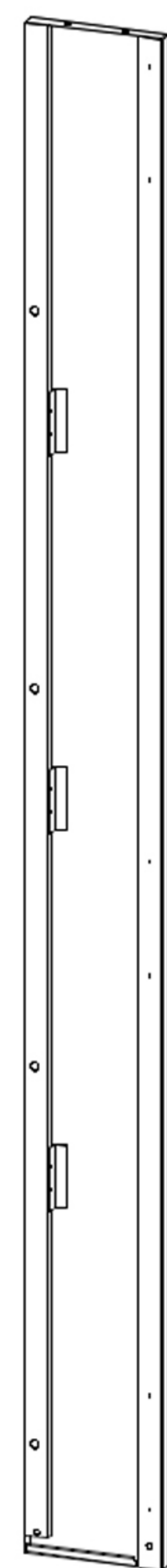
⑤ Pull Down



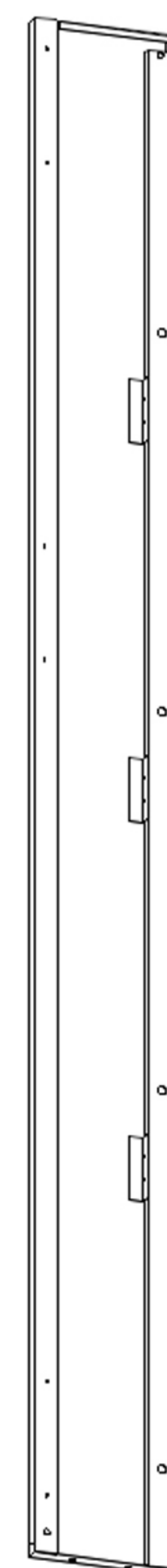
⑥ Pull Rod



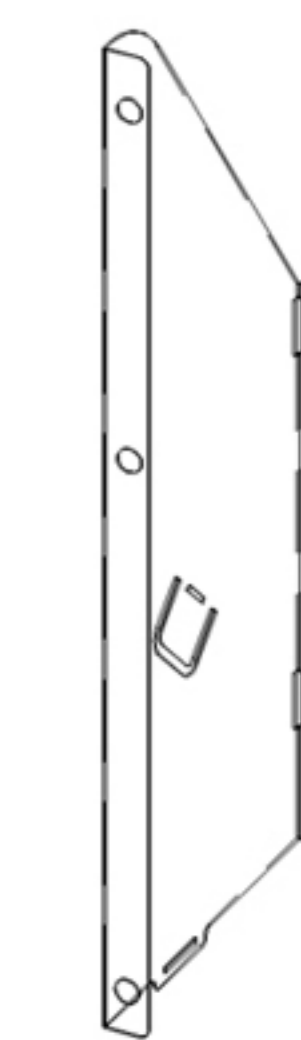
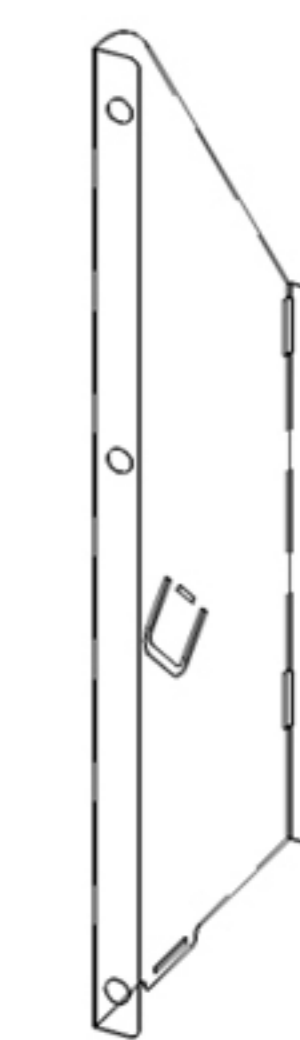
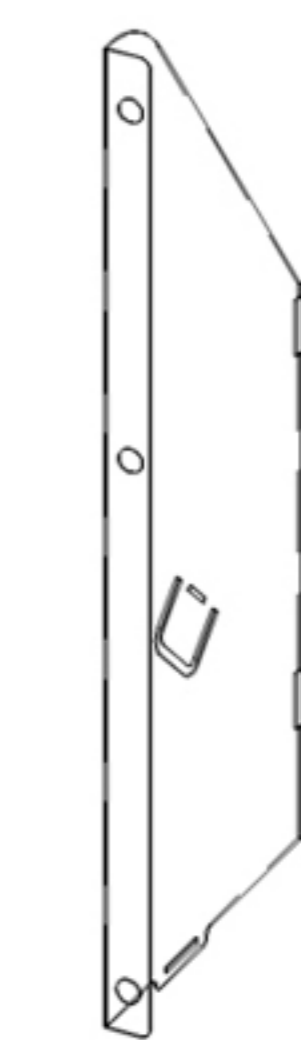
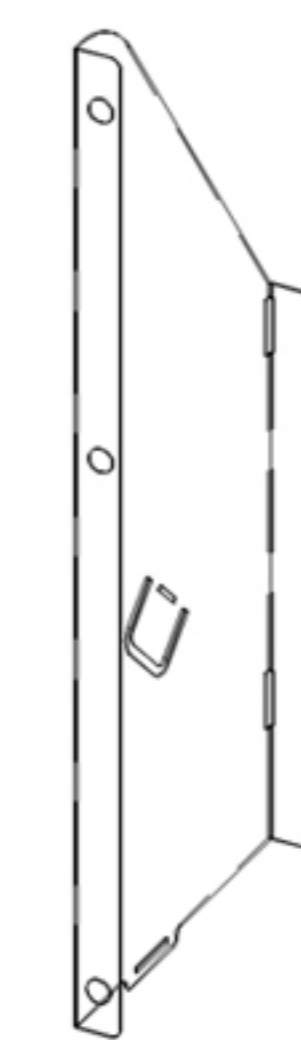
⑦ Face Panel



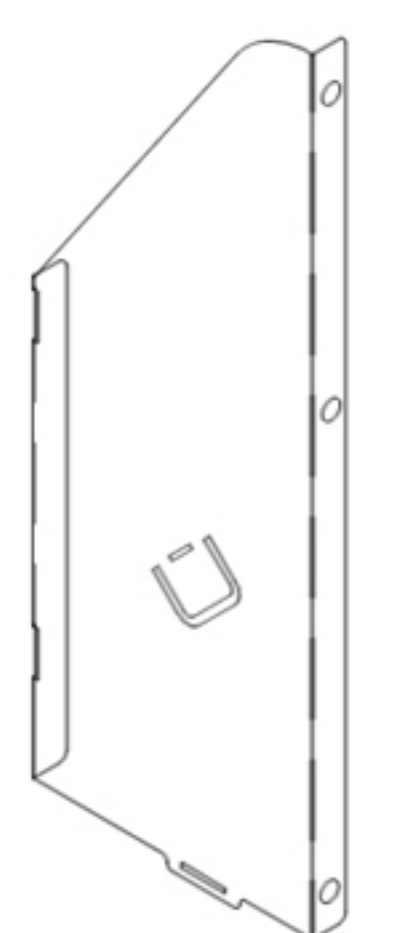
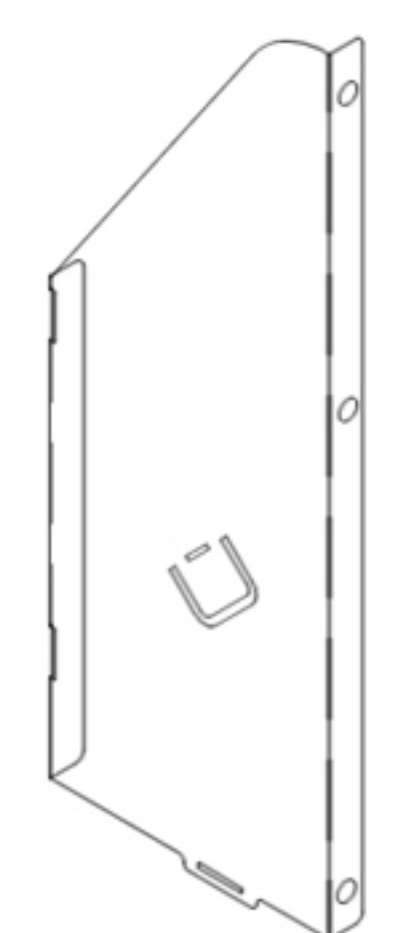
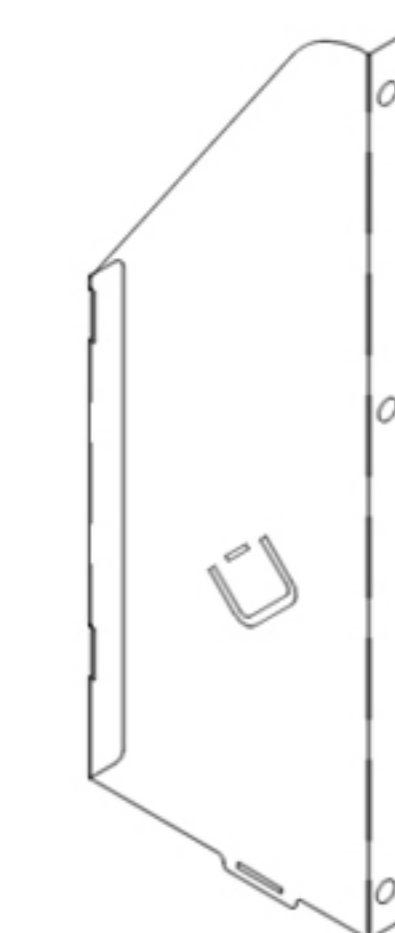
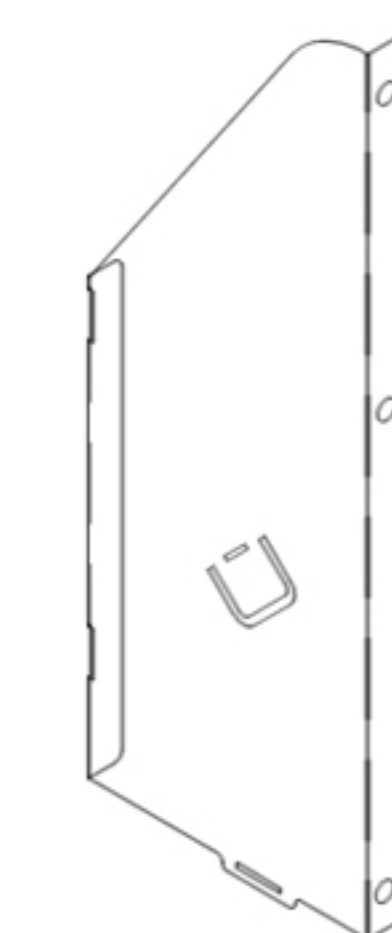
② Left Side



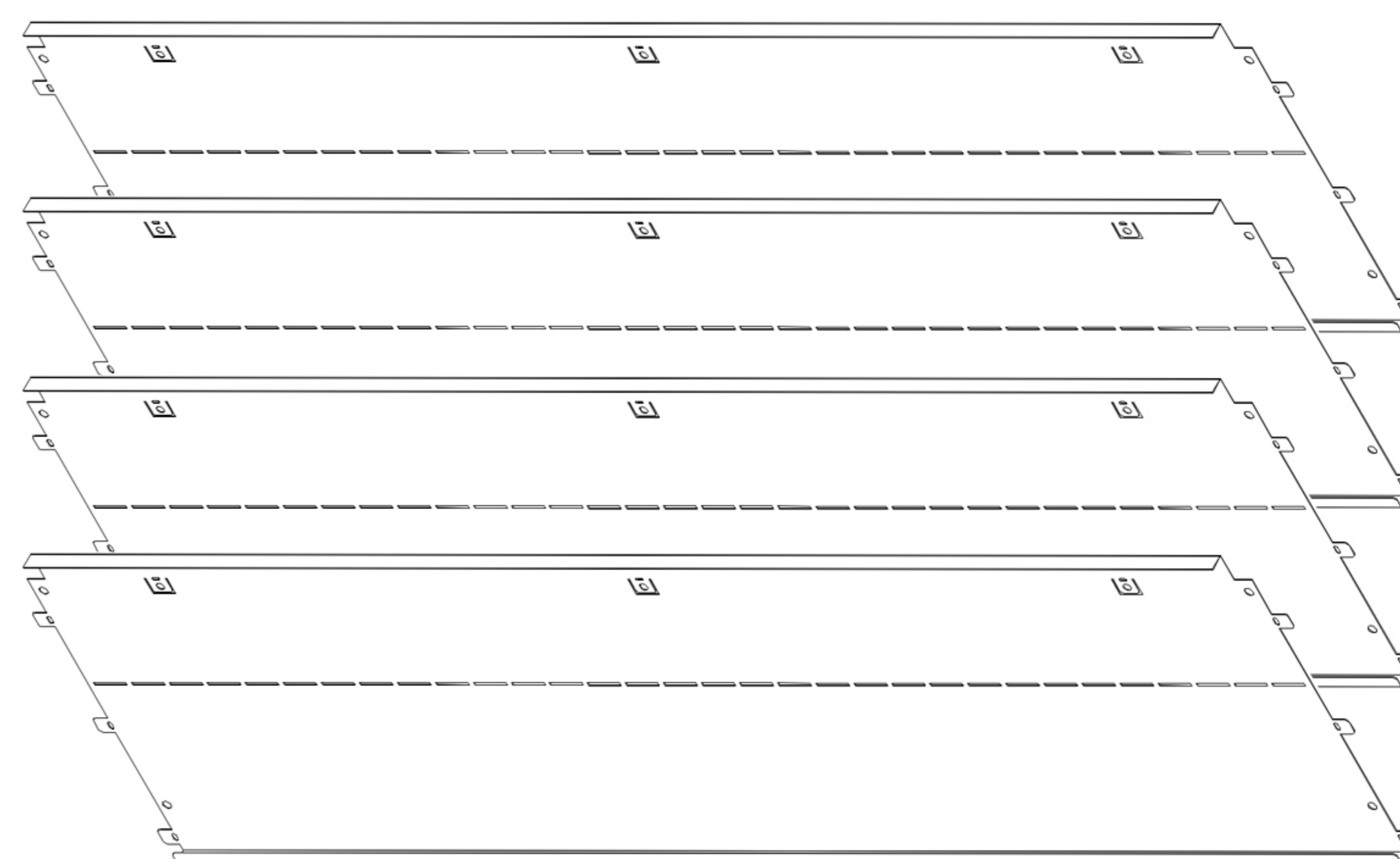
③ Right Side



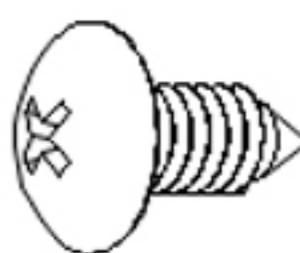
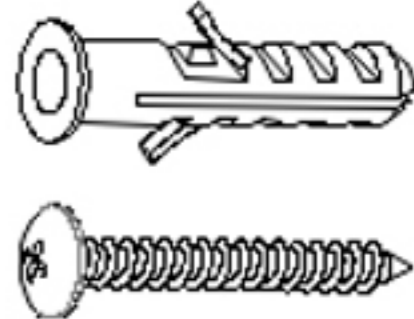
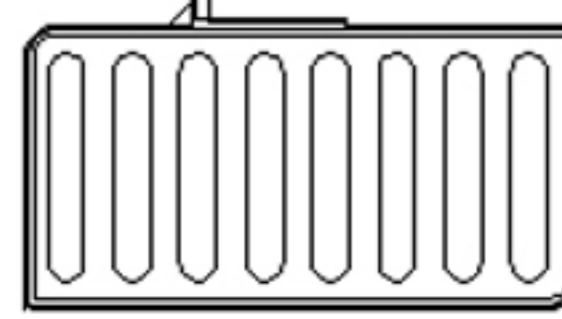



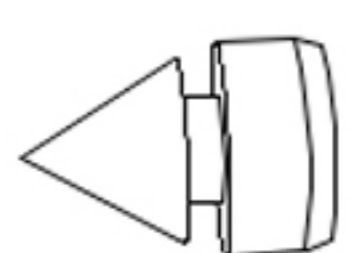
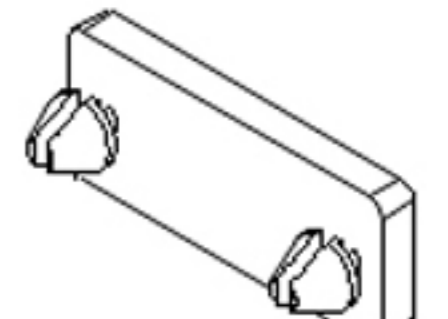
⑧ Left Drawer Side



⑨ Right Drawer Side

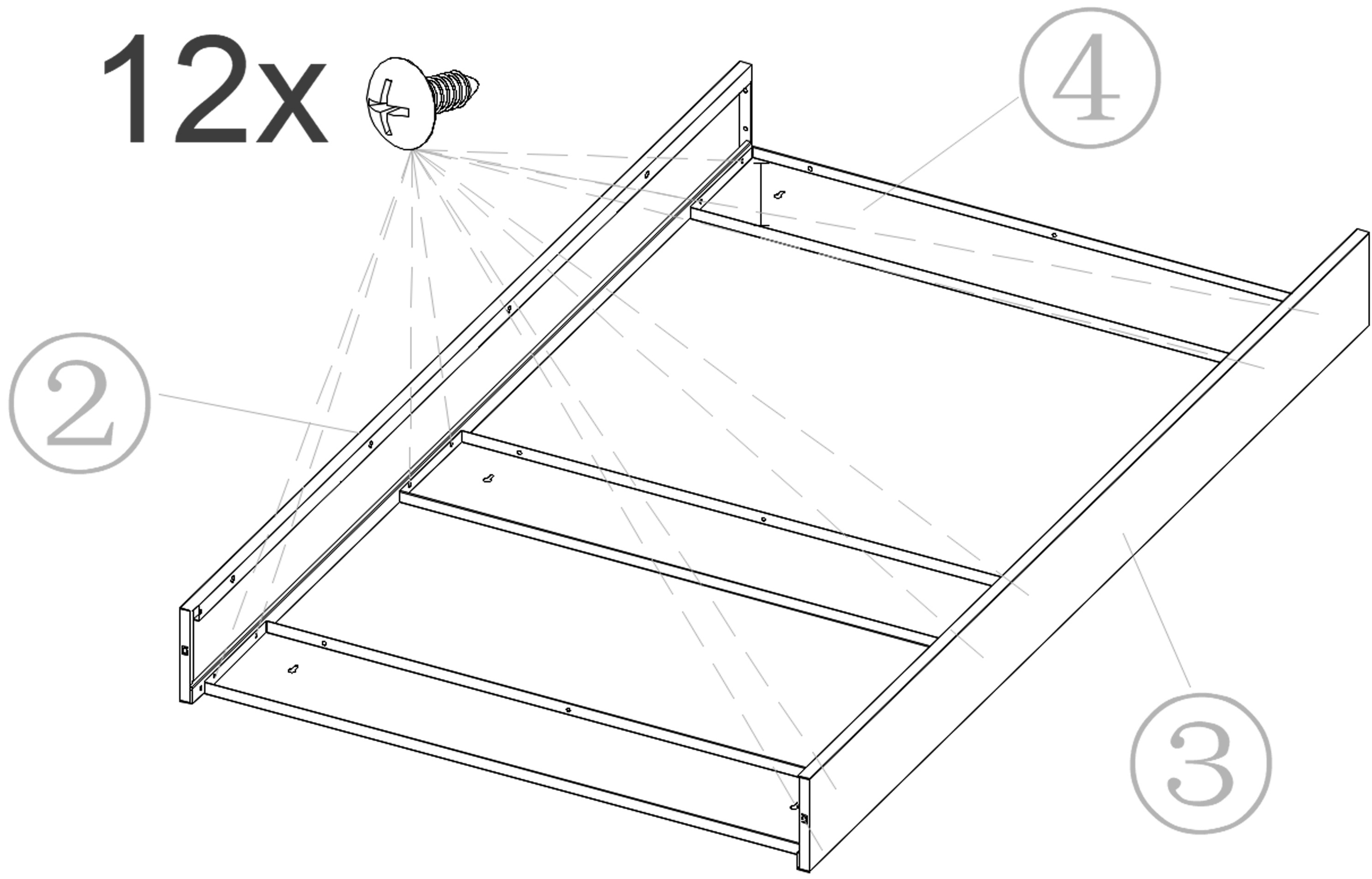


⑩ Drawer Bottom

Self-tapping screw		x 56
Expansion screw		x 4
Shoe stopper		x 4
Spring door hinge pad		x 8
Screw		x 8
T-shaped handle		x 4
Vibration damping pad		x 8
Square magnet		x 4

# Step 01

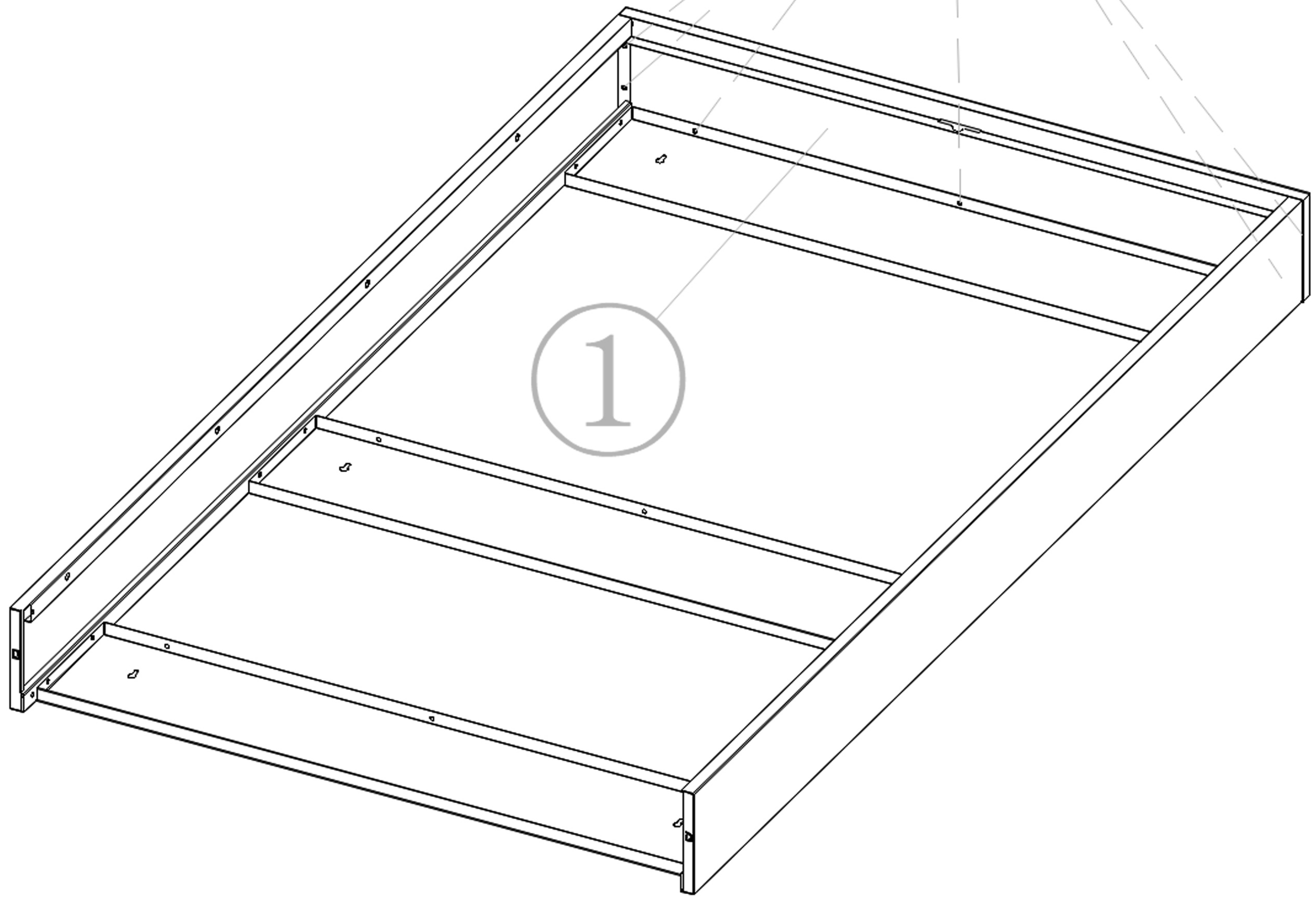
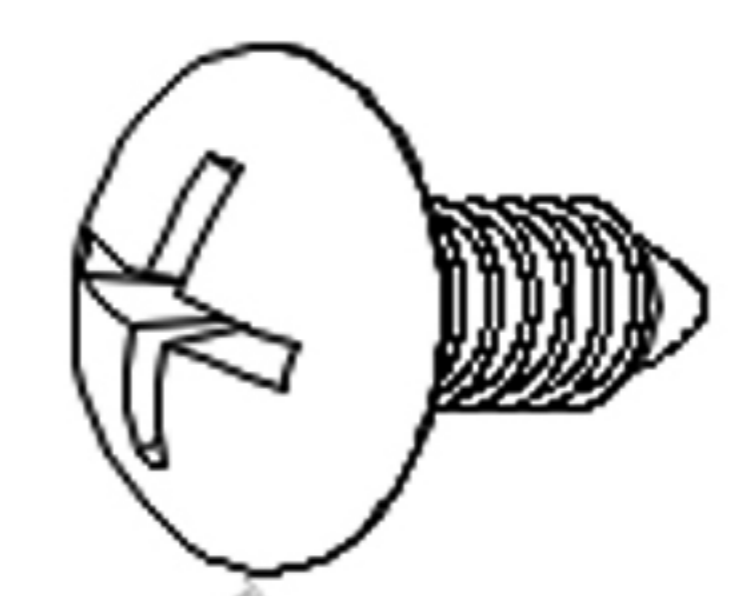
Install the side panels and back panel.



# Step 02

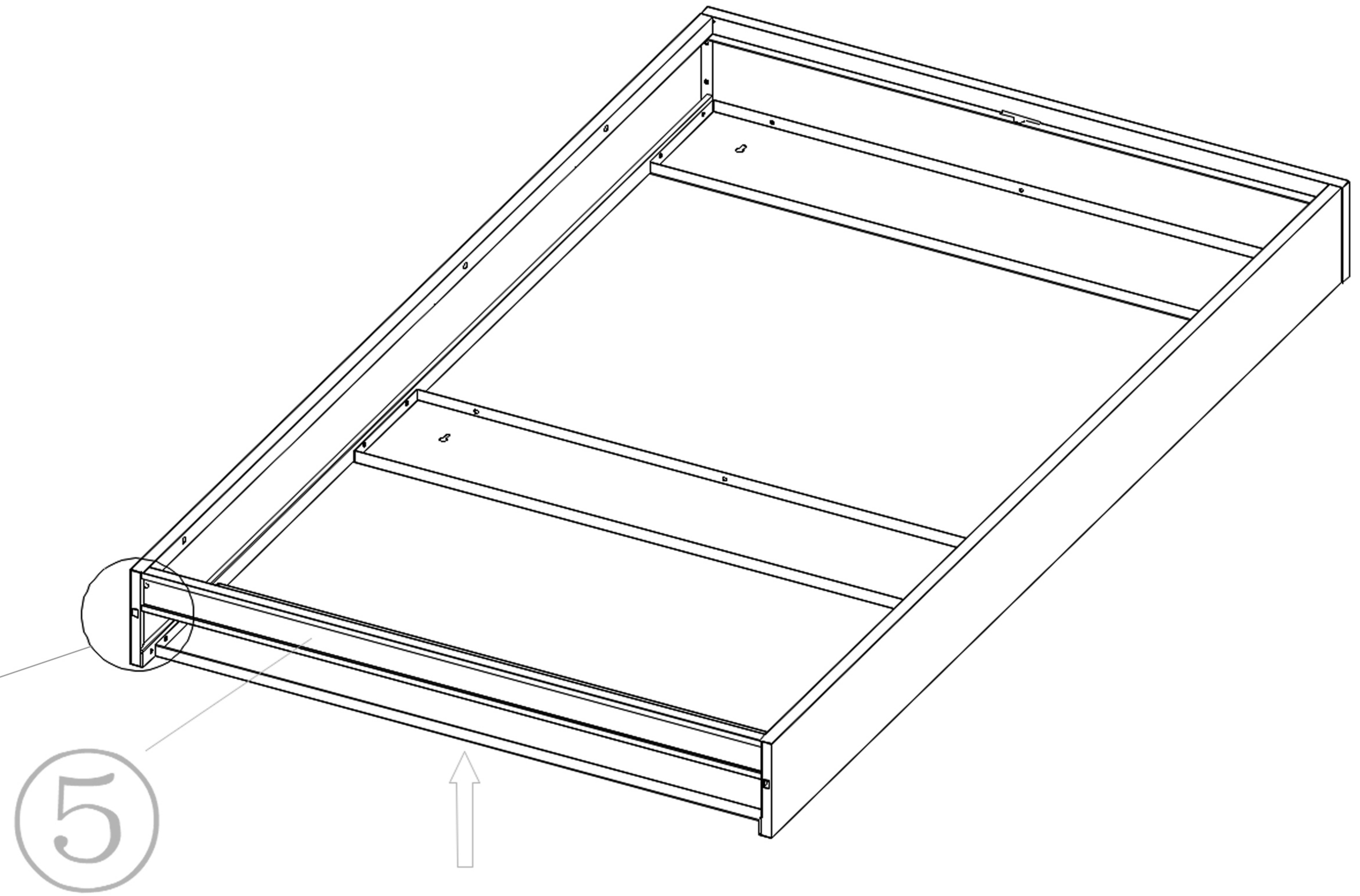
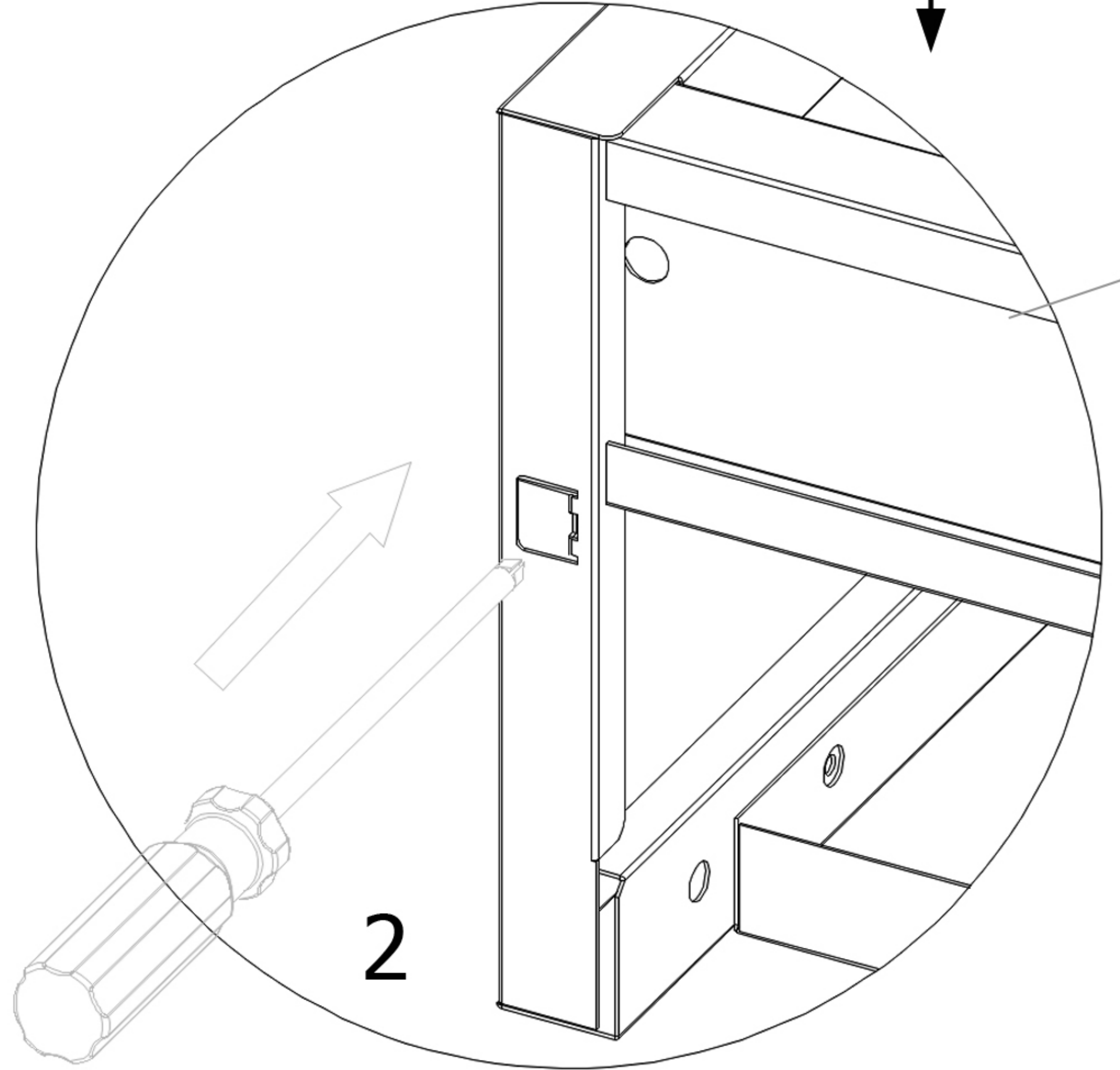
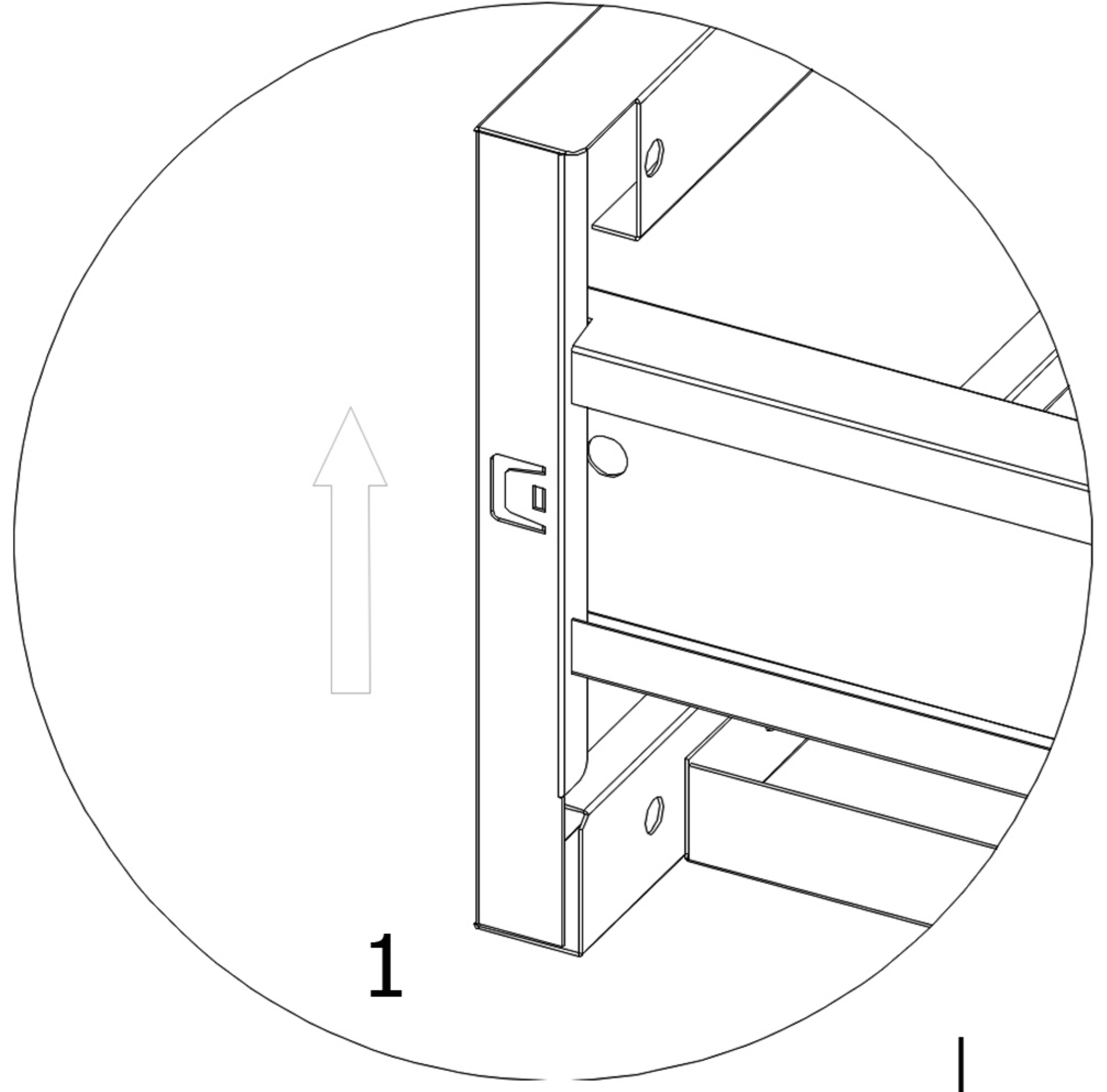
Install the top panel.

7x



# Step 03

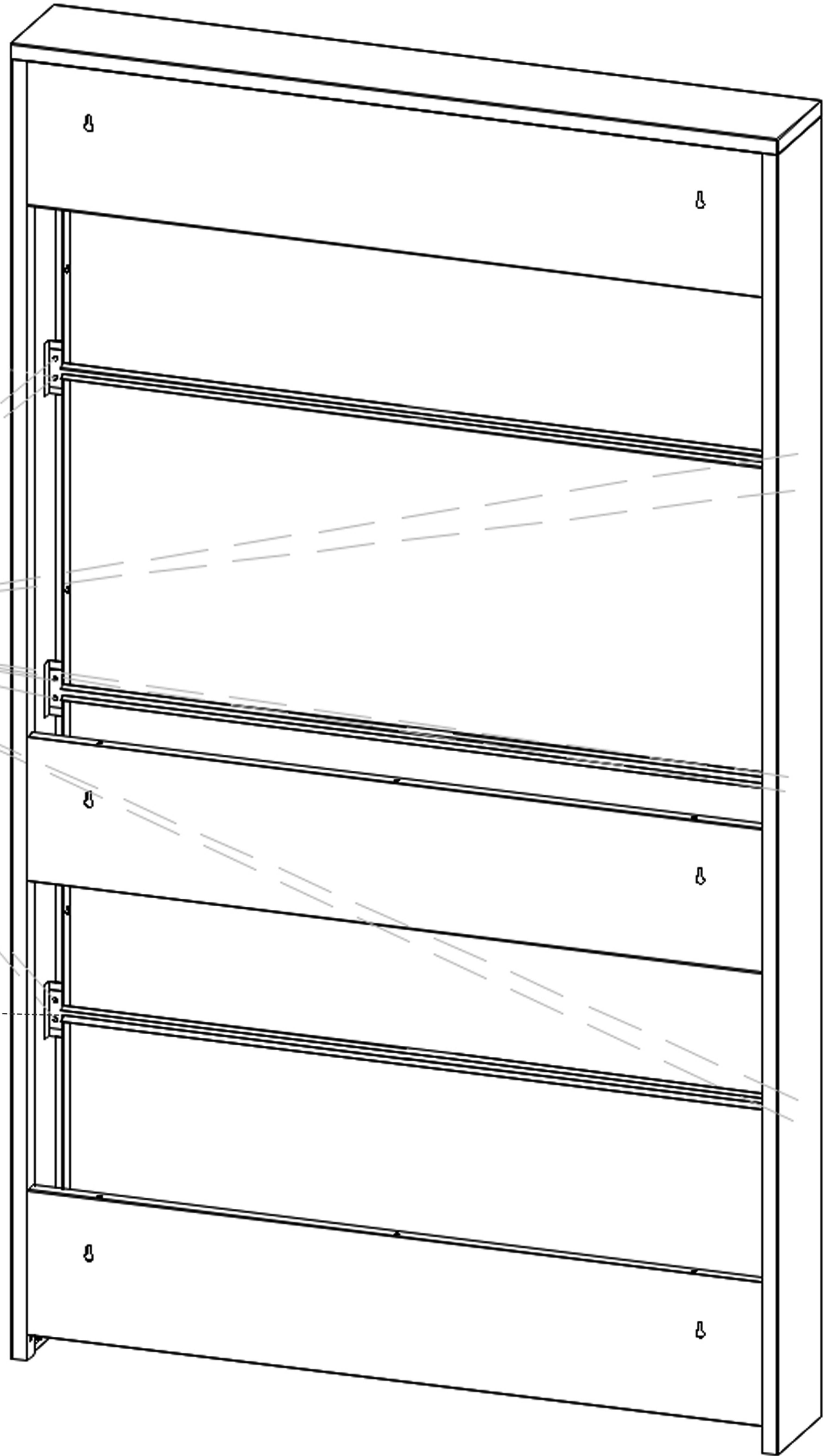
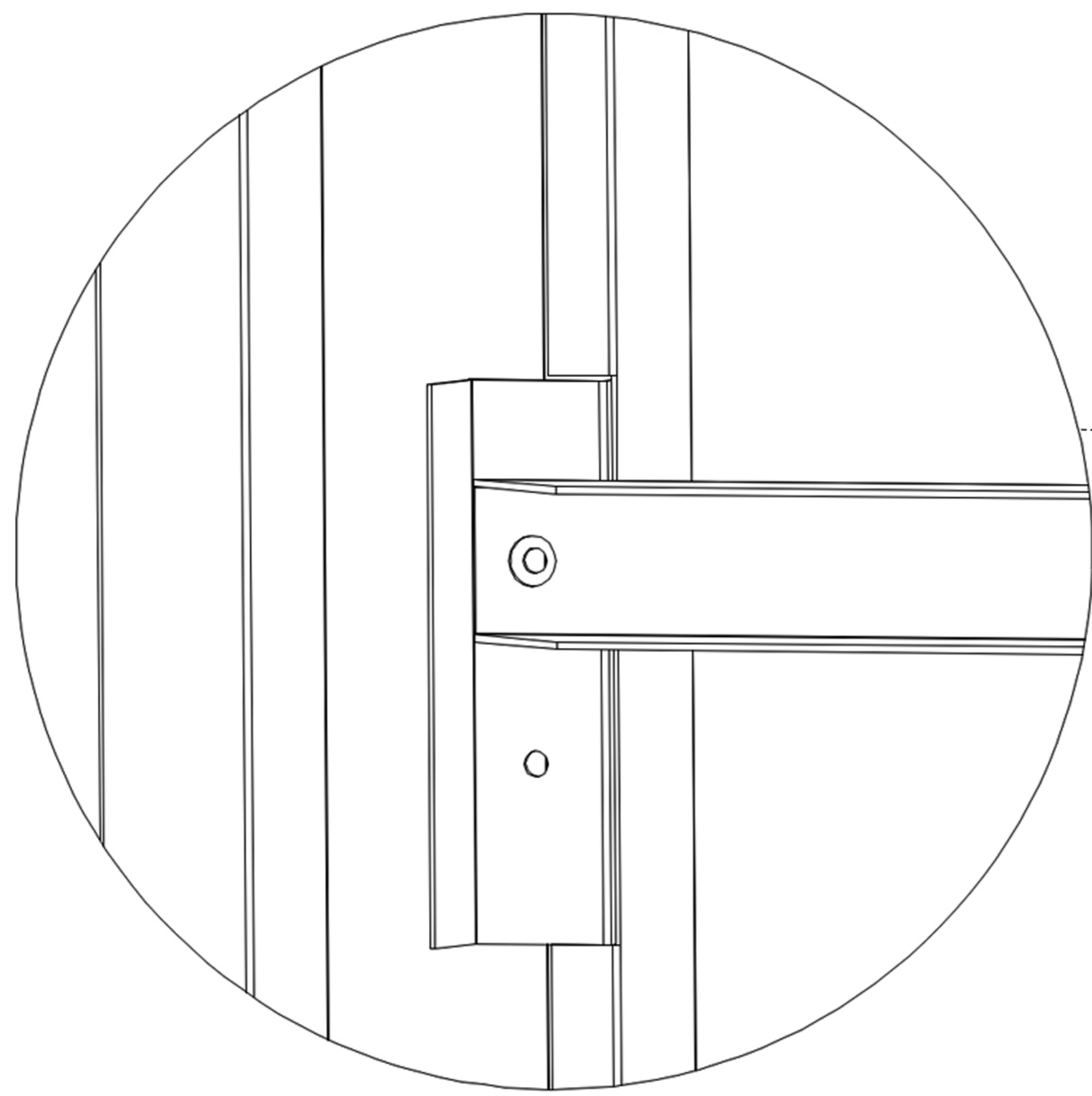
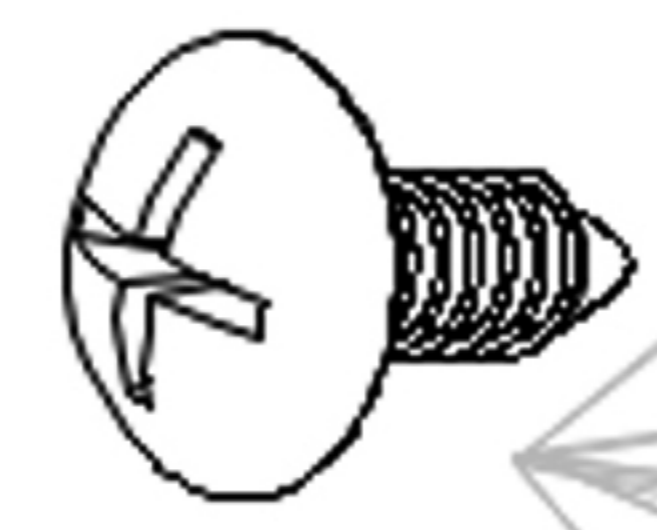
Install the pull-down mechanism by bending the buckle to 90° to lock it in place.



# Step 04

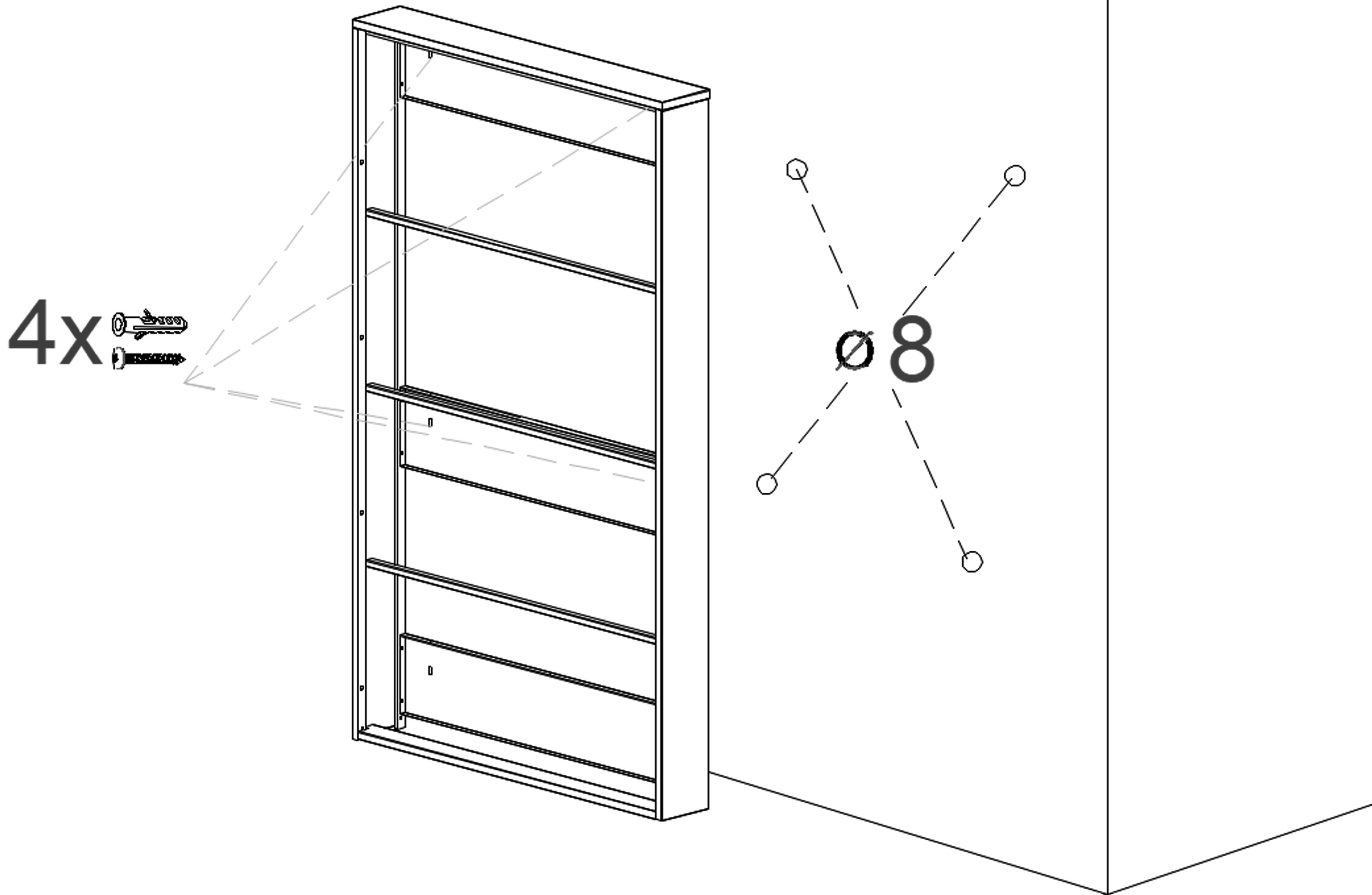
Secure the pull rod.

6x



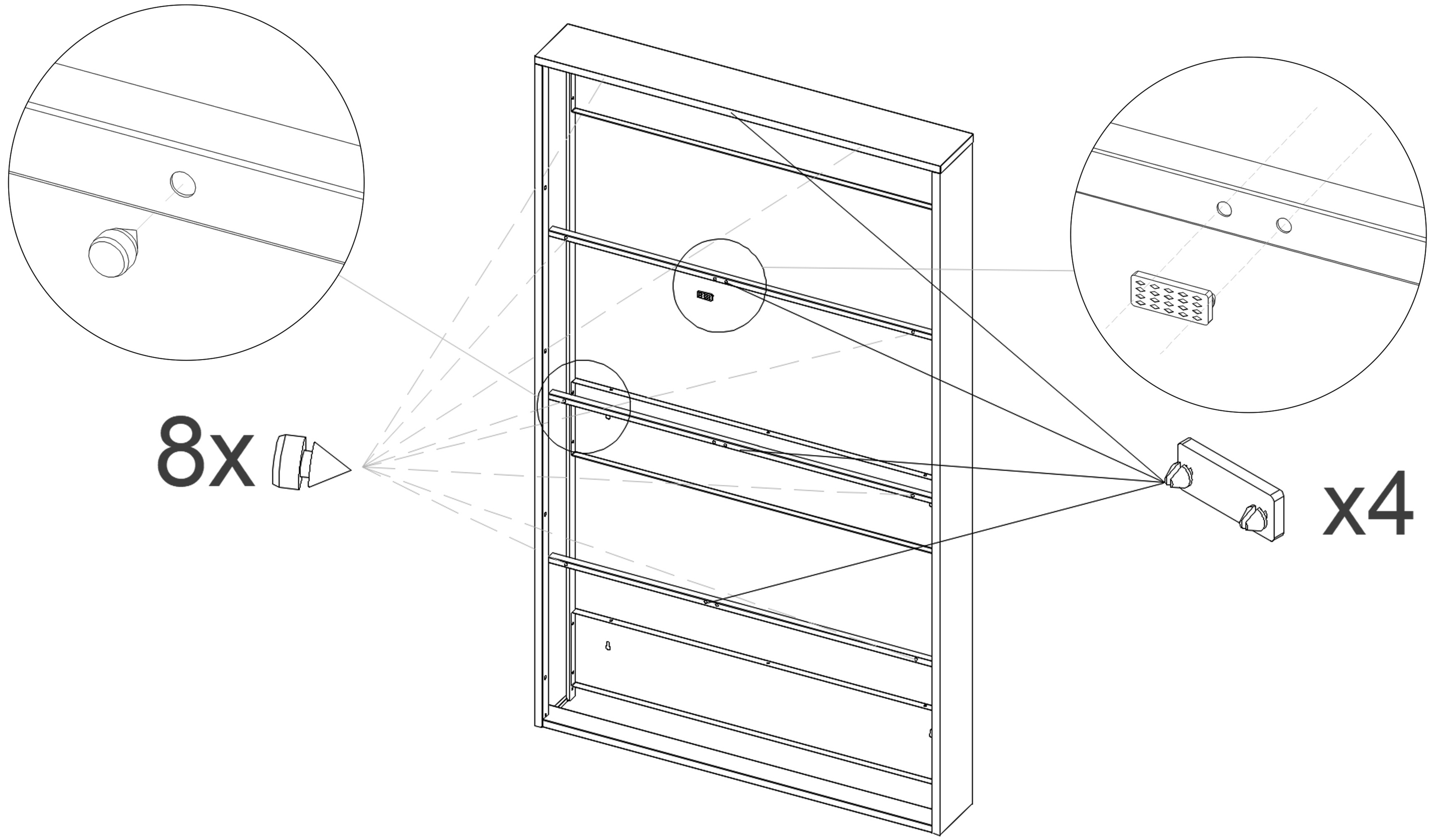
# Step 05

Mark  $\Phi 8$  positioning hole on the wall.



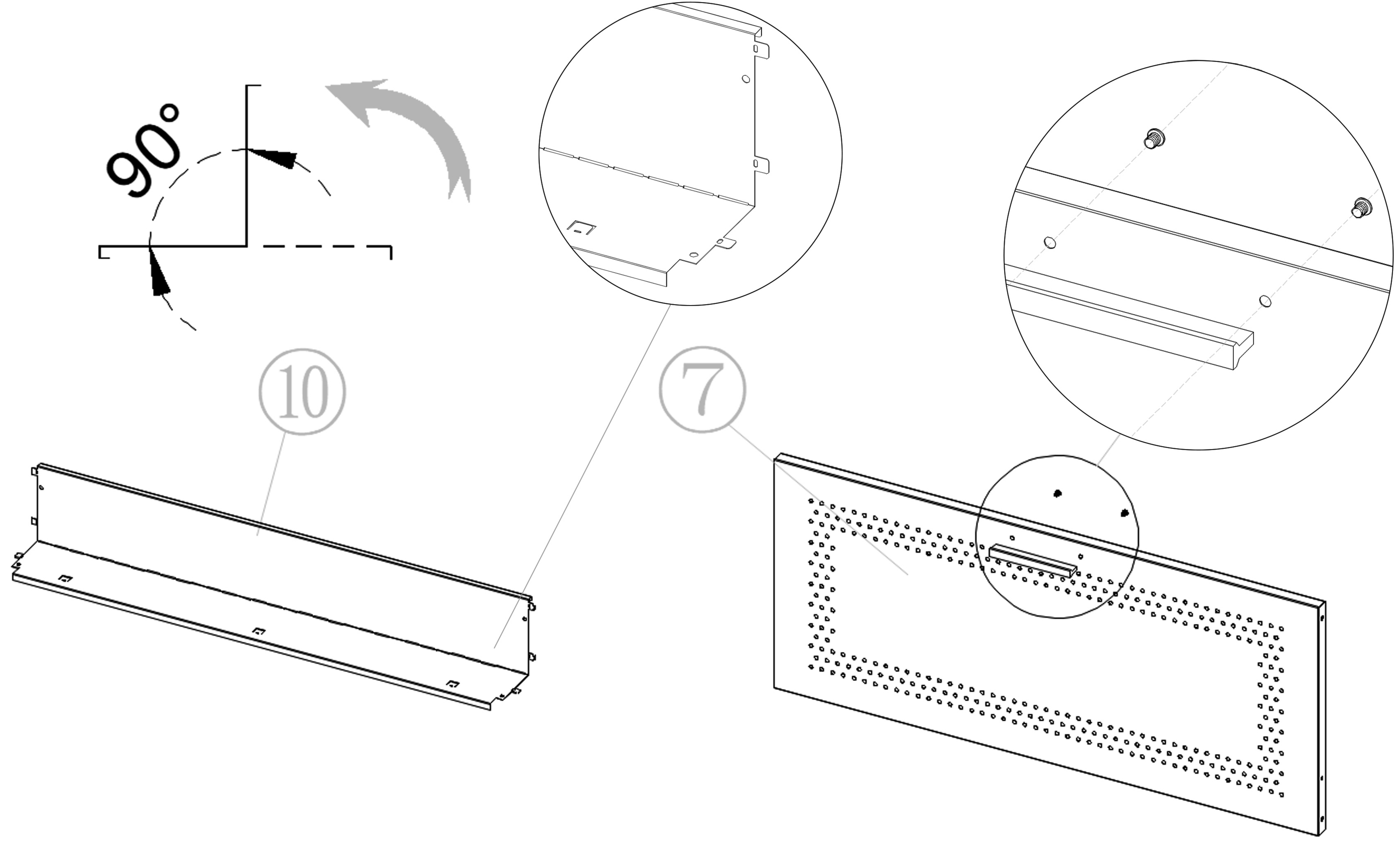
# Step 06

Install the shock-absorbing pads and square magnetic catches.



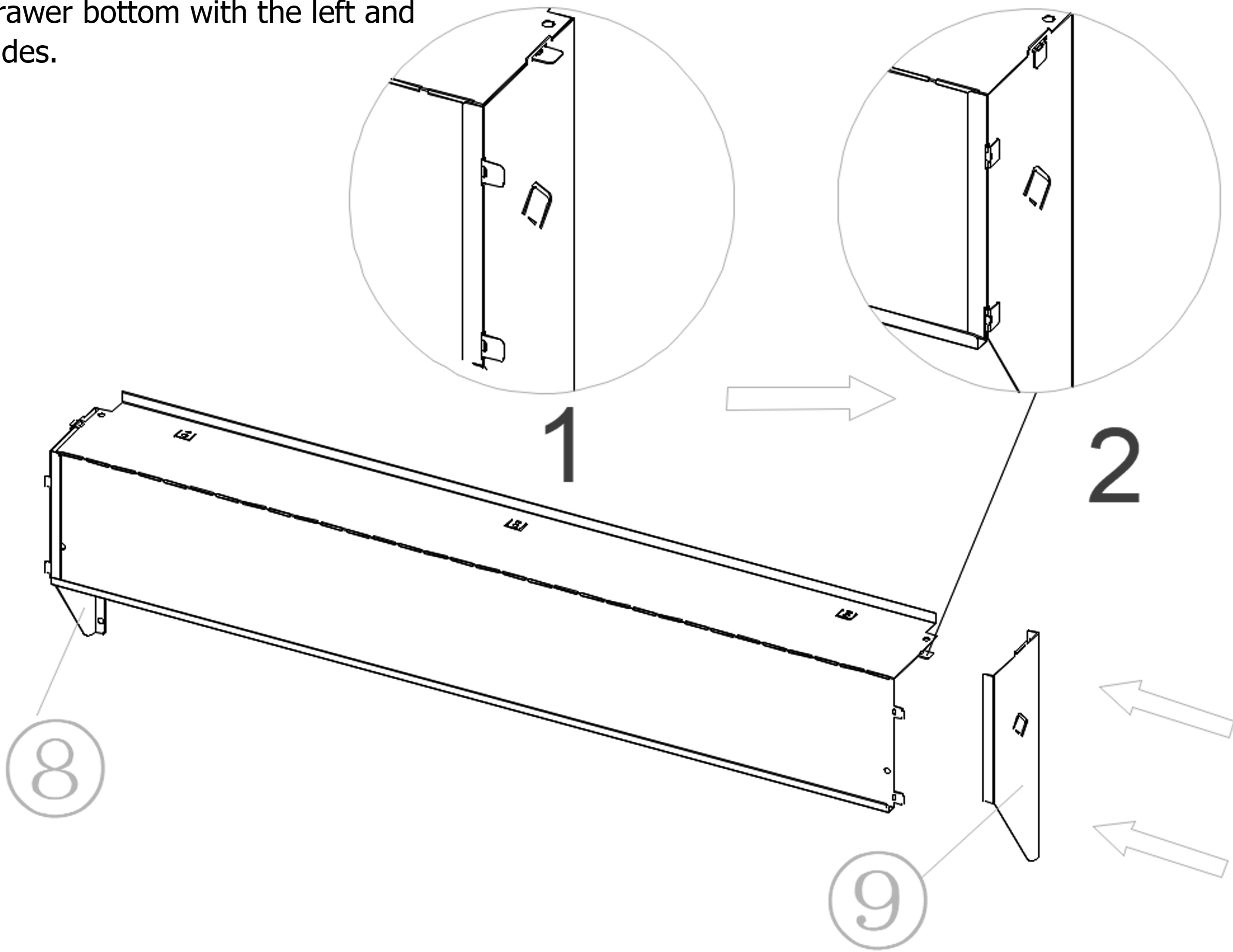
# Step 07

Bend the drawer bottom to 90° and install the face panel handle.



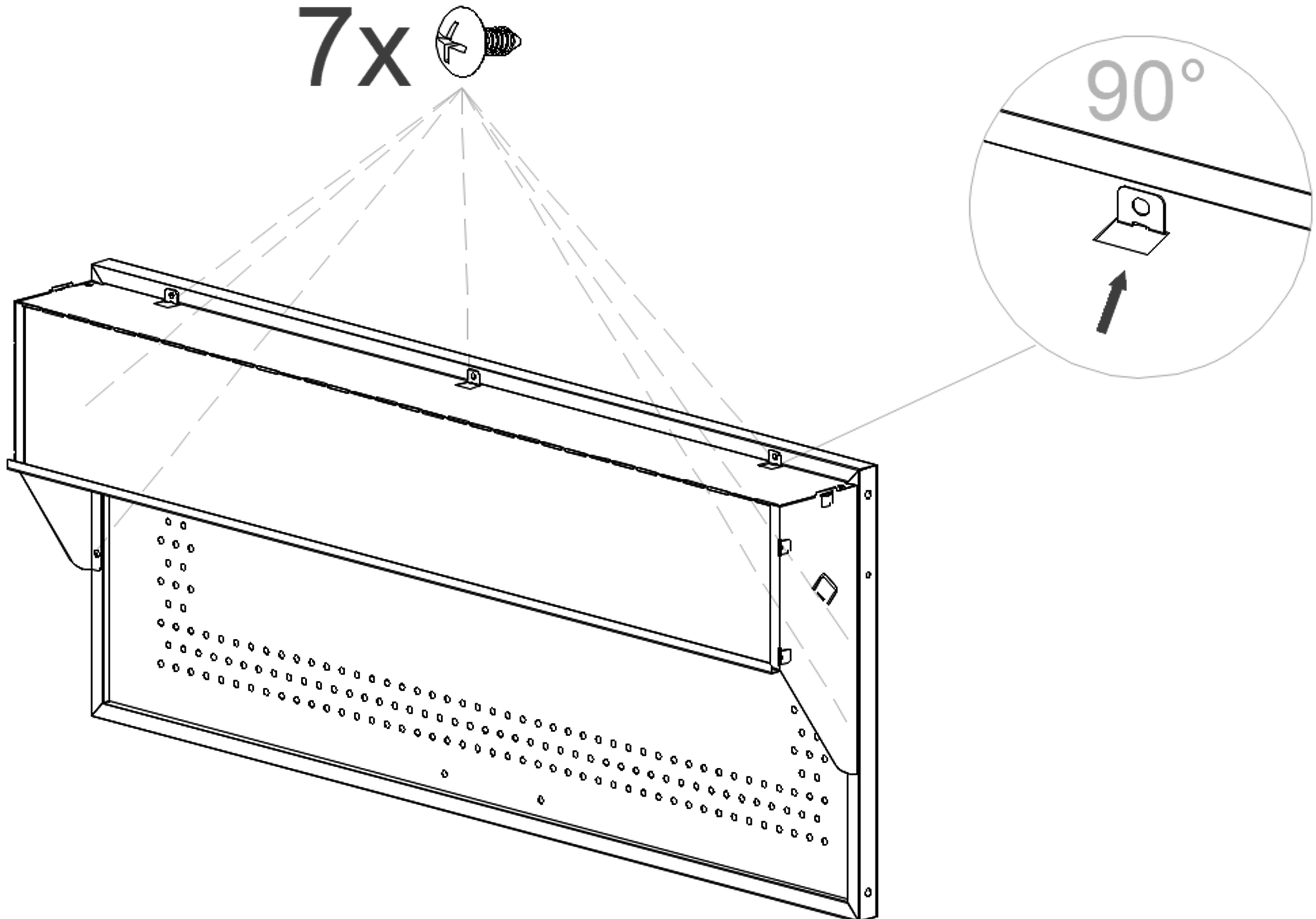
# Step 08

Connect the drawer bottom with the left and right drawer sides.



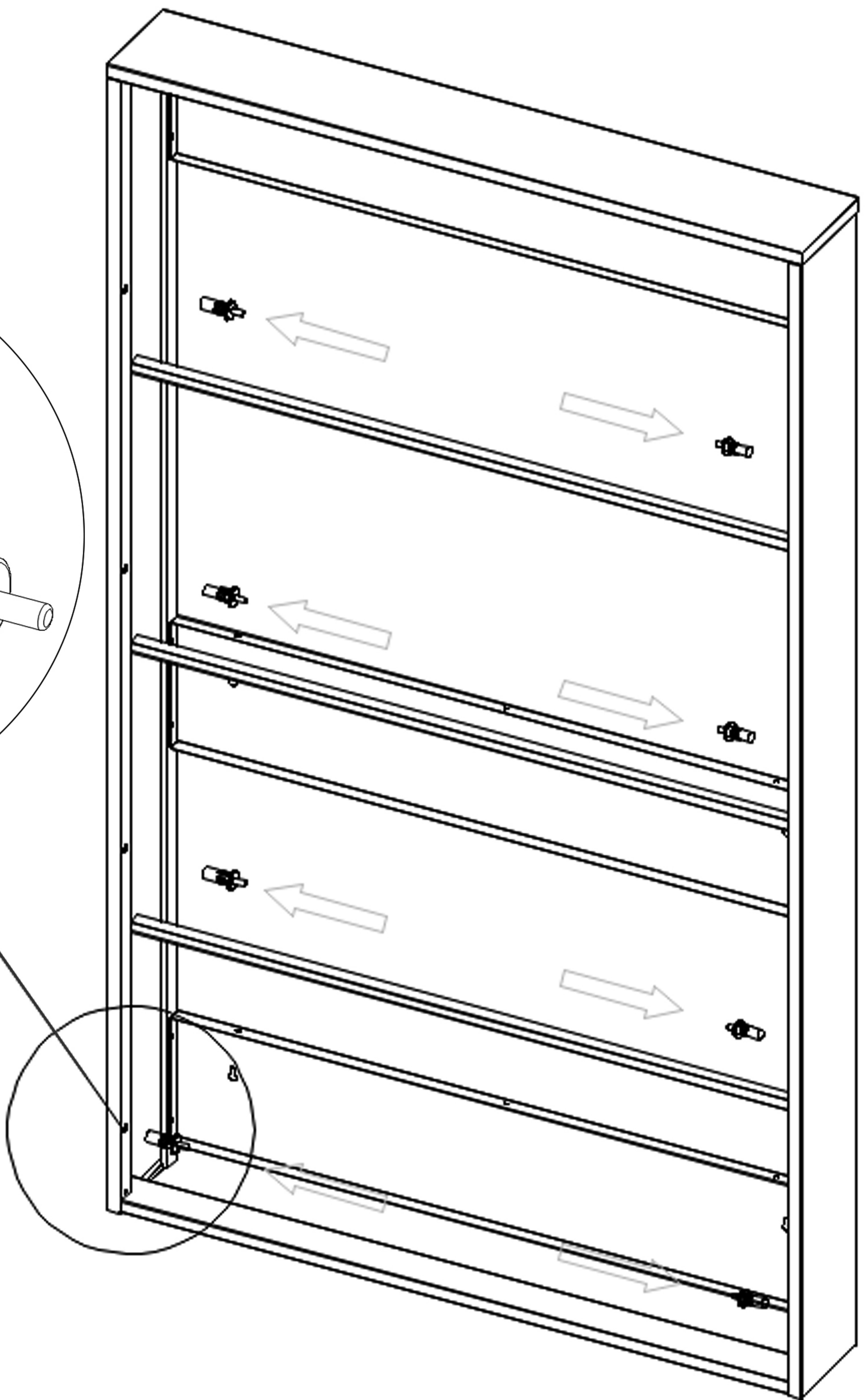
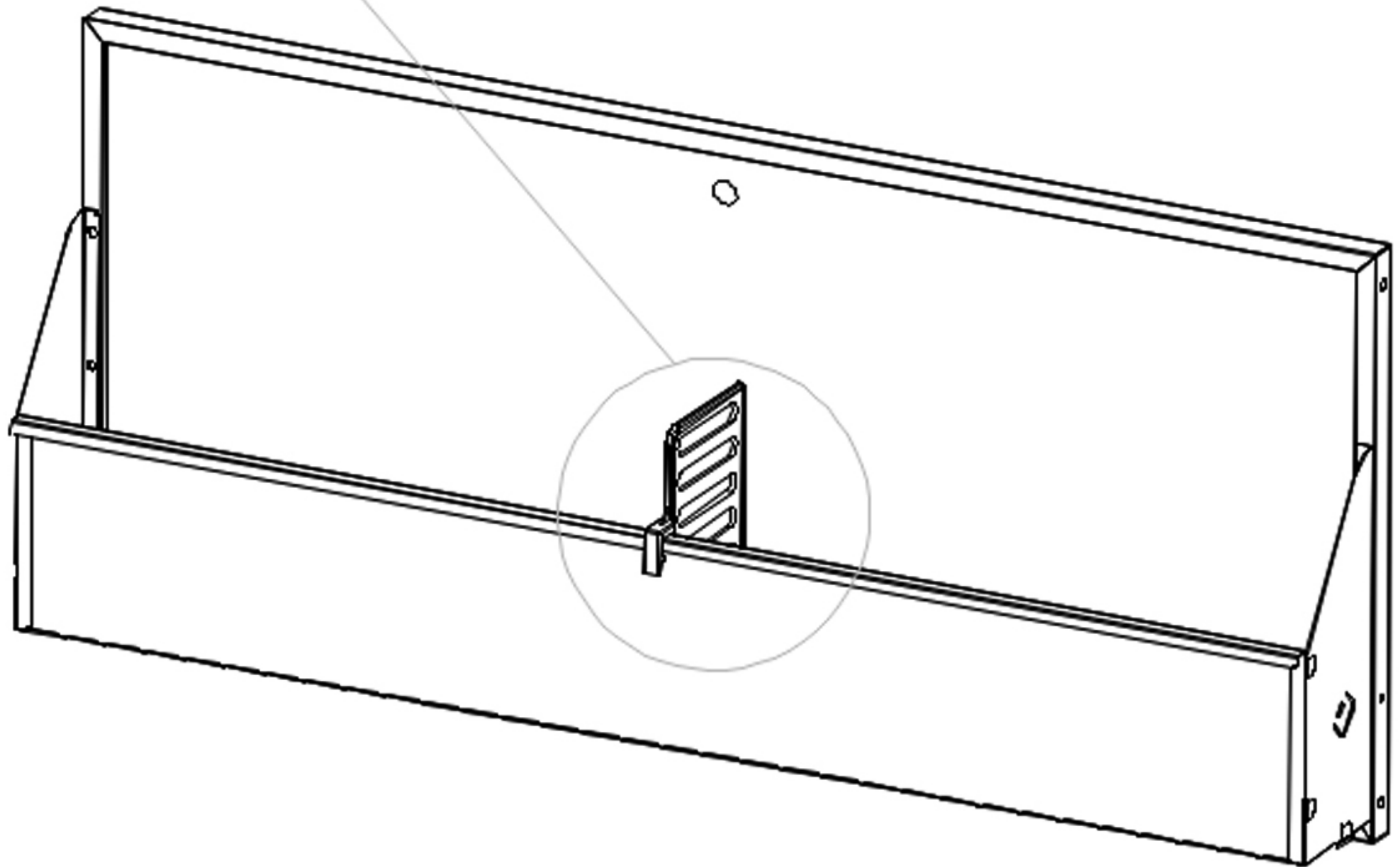
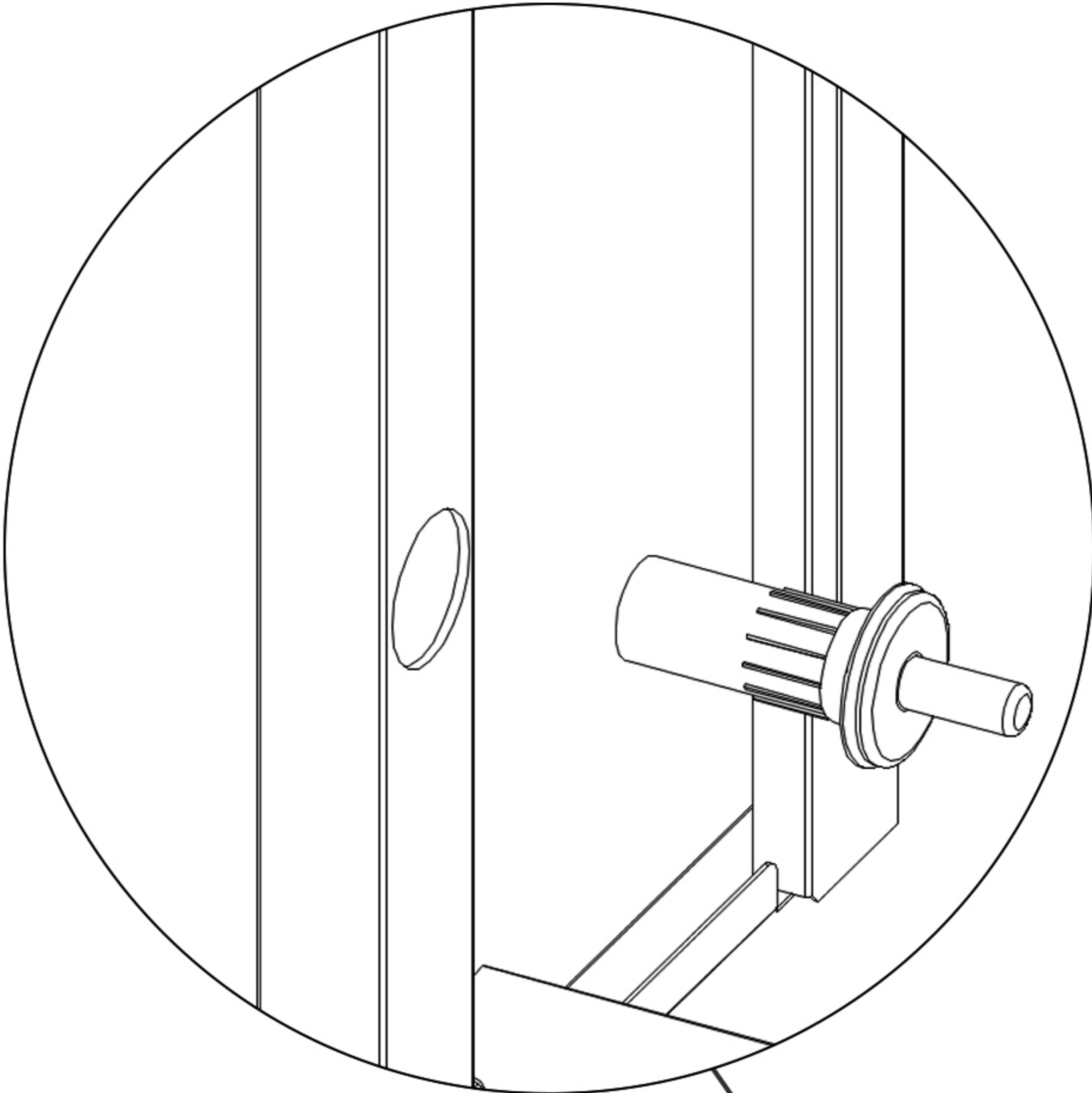
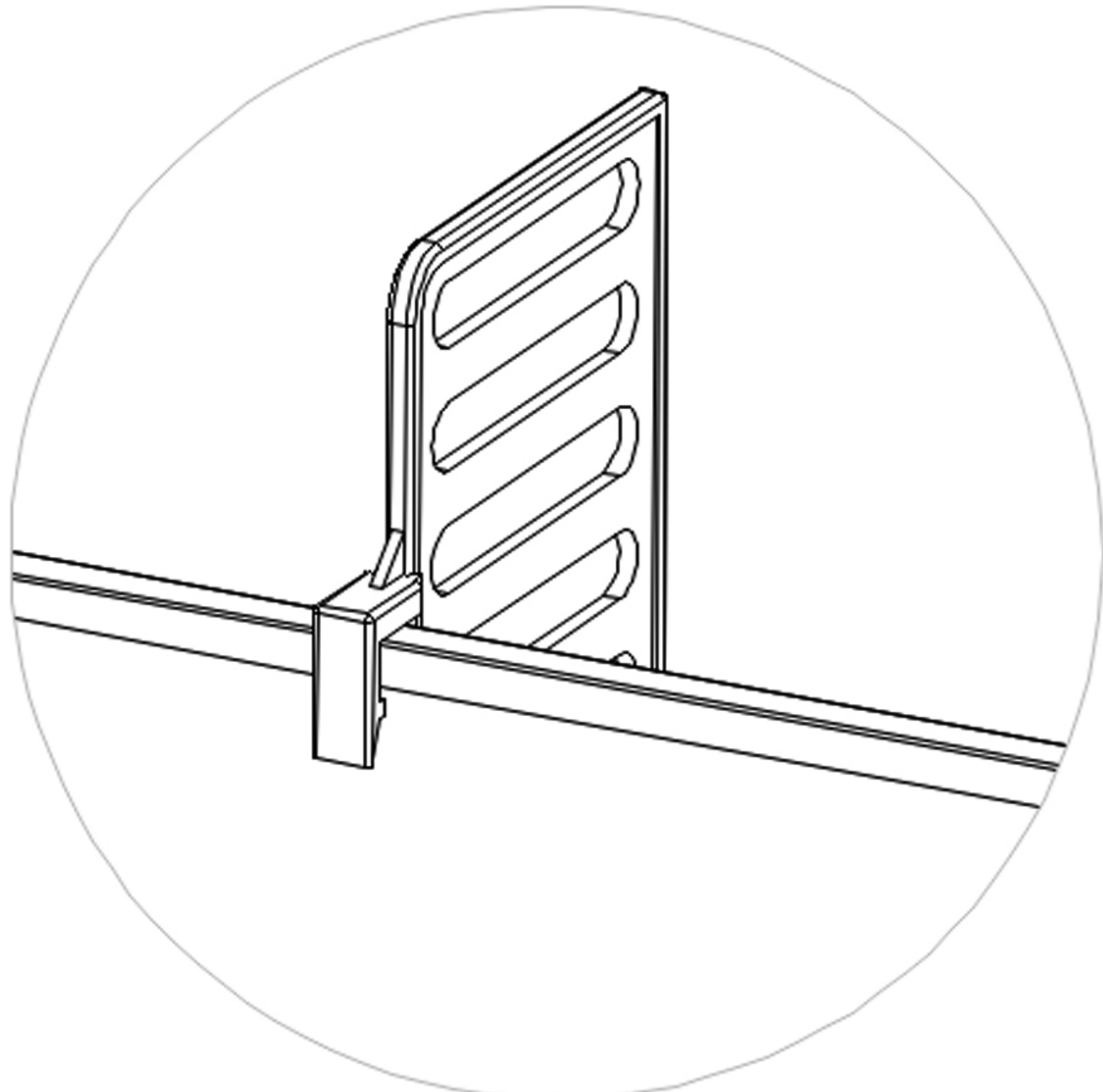
# Step 09

Bend the locking buckle and screw at the connection of the shoe drawer to 90°, paying attention to the direction.



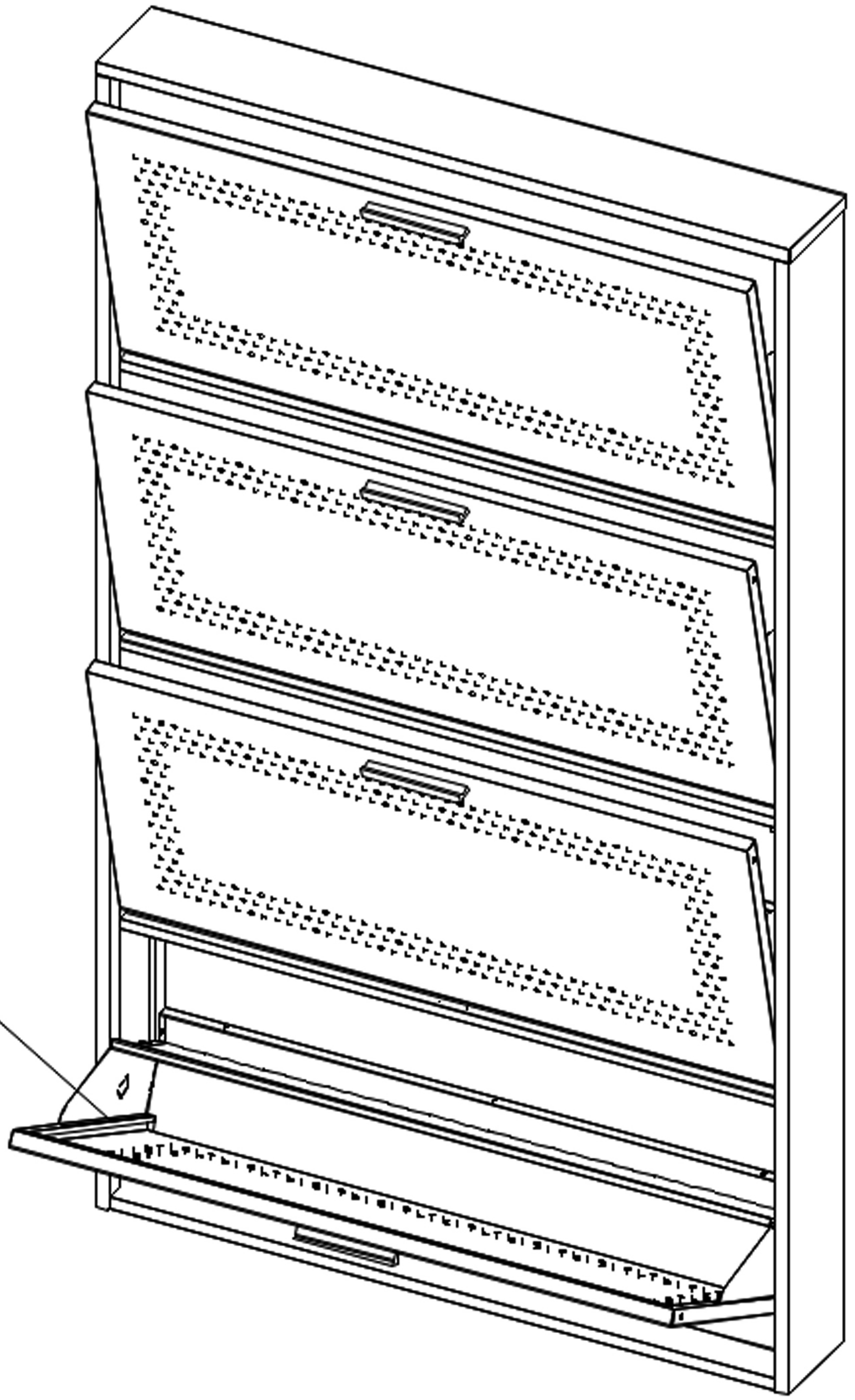
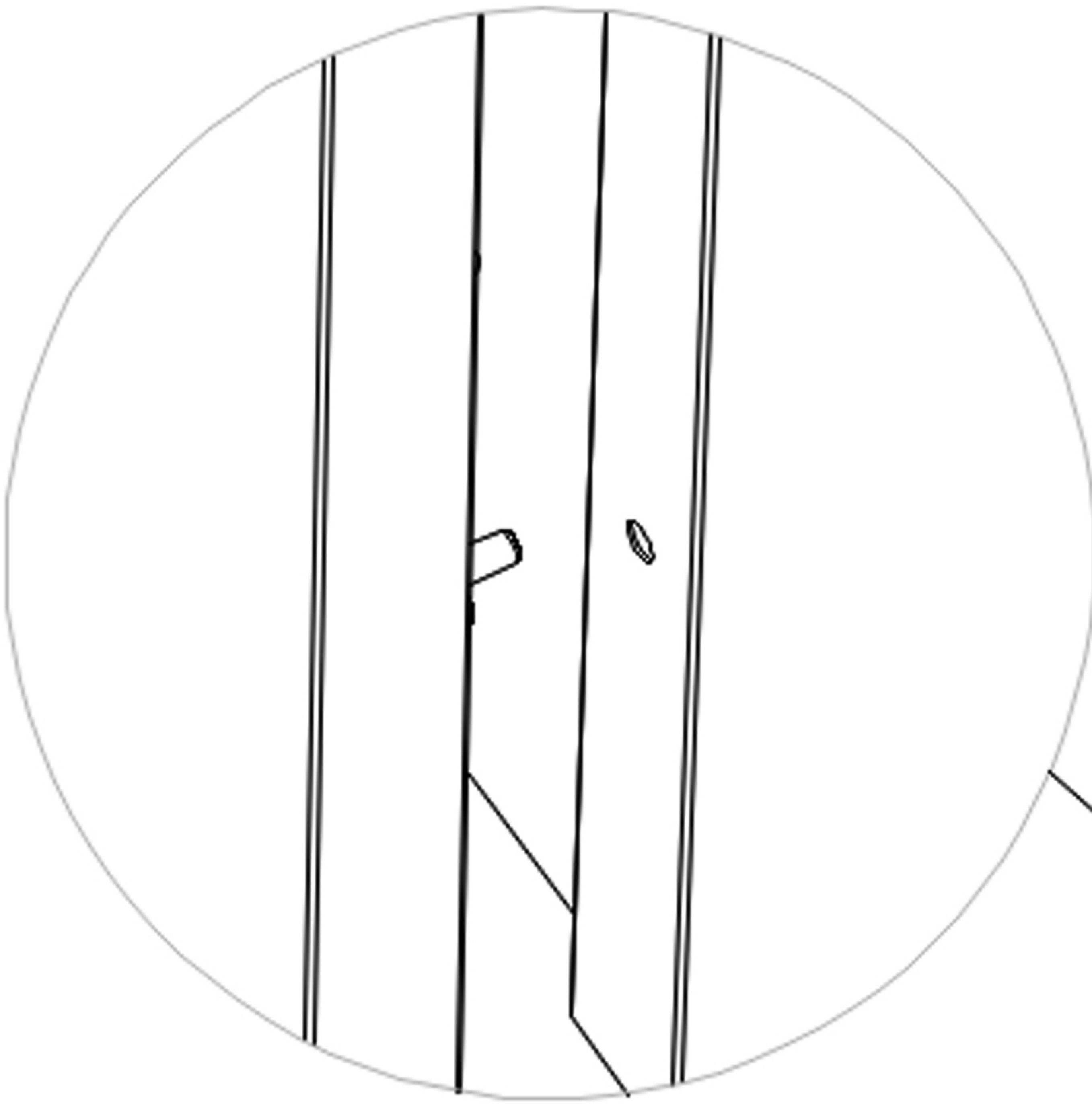
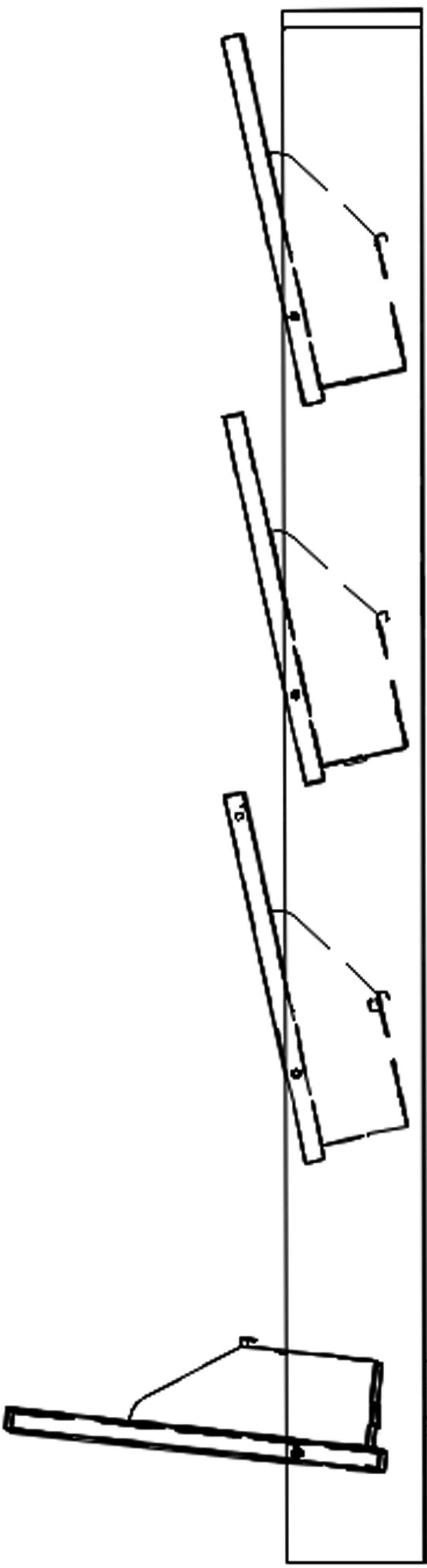
# Step 10

Install the spring door axle and secure the shoe stopper inside the shoe drawer.



# Step 11

Install the shoe drawer.



# Step 12

Bend the clips on the side of the shoe drawer to 90° to serve as opening and closing limiters.

